

PANDUIT P/N	WEIGHT
P08E25M	5.9kg

NOTES:

1. IDENTIFICATION:

UNIT TYPE:	MONITORED SWITCHED
ORIENTATION:	HORIZONTAL, 1U
OUTLET QTY&TYPE:	(8) C13
BREAKER QTY&TYPE:	N/A
INPUT VOLTAGE:	100-240VAC
INPUT CURRENT:	16A
INPUT PHASE:	SINGLE-PHASE
RATED POWER:	3.7kVA
INPUT PLUG:	IEC 60309 2P+E 6H 16A
INPUT CORD LENGTH:	3m [10']

2. ACCESSORIES:

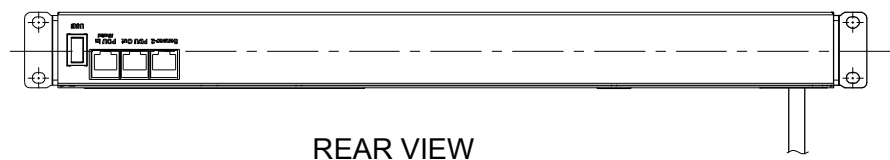
- POCKET GUIDE
- QTY: (4) M6 X 12 PAN HEAD MACHINE SCREWS
- QTY: (4) M6 CAGED NUT

3. RoHS COMPLIANT

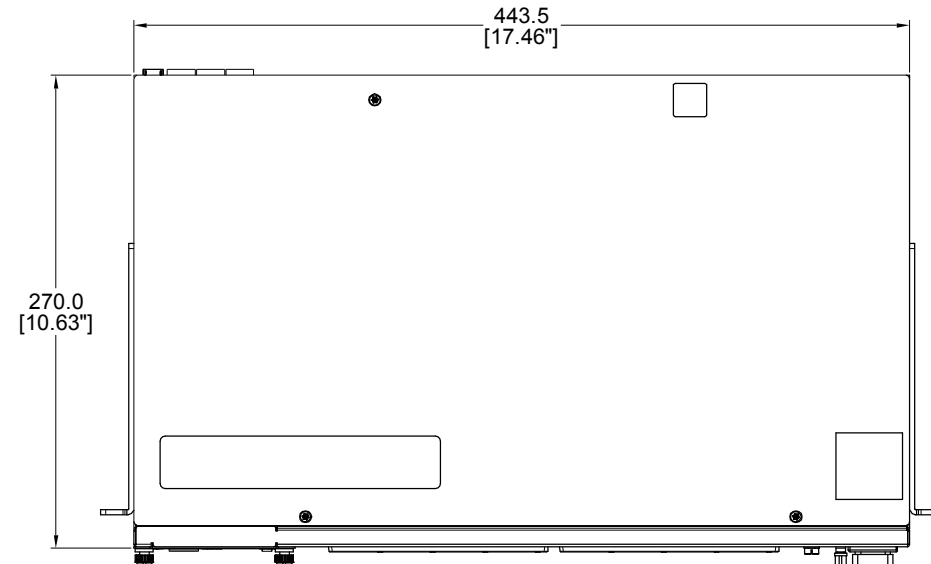
4. VISIT PANDUIT'S ON-LINE CATALOG AT [WWW.PANDUIT.COM](http://WWW.PANDUIT.COM) FOR ADDITIONAL PRODUCT INFORMATION CONTAINED IN THE SPECIFICATION SHEET AS WELL AS A CURRENT LIST OF PRODUCTS APPLICABLE FOR USE WITH THIS PART

5. MAXIMUM ALLOWABLE INPUT POWER = 3.7kW

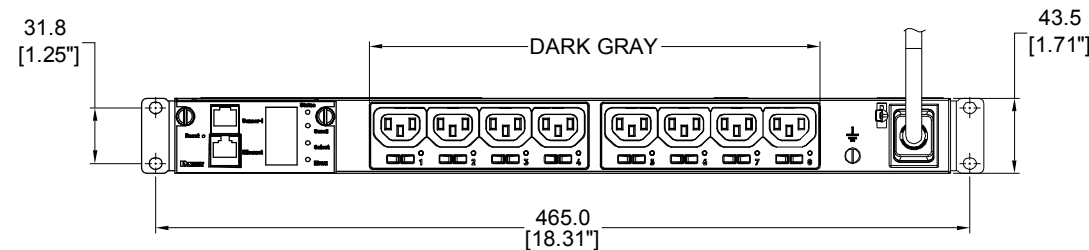
6. INSTALLATION SHALL COMPLY WITH ALL APPLICABLE NATIONAL, STATE, AND LOCAL CODES



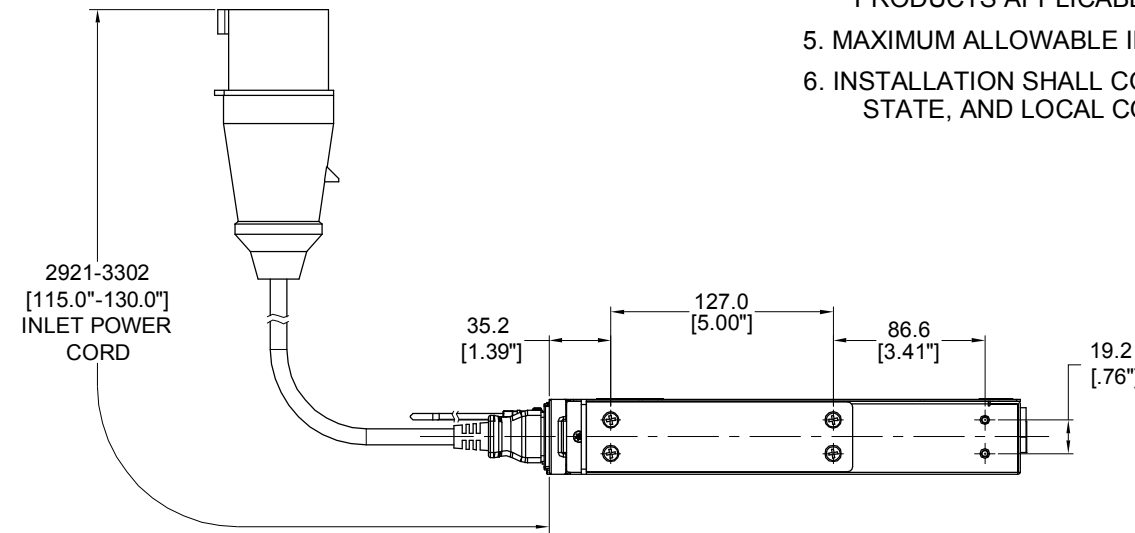
REAR VIEW



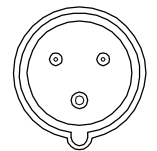
TOP VIEW



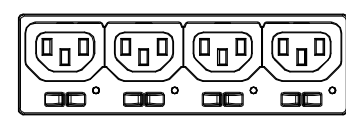
FRONT VIEW



SIDE VIEW



**PLUG**  
16A, 250VAC,  
2P/3W  
IEC 60309, SPLASHPROOF IP44  
3H (S); 3R (W); 6H



**EIGHT (8) RECEPTACLES**  
10 AMP, 250V  
STRAIGHT BLADE  
IEC 60320/C13

REV	DATE	BY	CHK	APR	DESCRIPTION	ECN
01A	07/17/2017	WSJ	MIM	EDM	INITIAL RELEASE	P08E25M

WE ASK THAT YOU CHECK FULLY THE DIMENSIONS, NOTES, AND SIGN THE CLIENT SIGNATURE BOX. THE JOB WILL NOT PROGRESS WITHOUT SIGNED APPROVAL. PLEASE DO NOT DELAY IN RETURNING PROOF AS IT WILL AFFECT DELIVERY		SIGN
		DATE
		PRINT
TITLE INTELLIGENT SERIES PDU P08E25M CUSTOMER DRAWING		
ITEM REVISION NAME		<b>PANDUIT</b>
DATASHEET FILE NAME:		
UNLESS OTHERWISE SPECIFIED DIMENSIONAL TOLERANCE ARE: mm [IN]		MATERIAL/COLOR: N/A
Tolerance(mm) 0<4<50 ±0.5 50<4<250 ±1.0 250<4<500 ±1.5 500<4<1000 ±2.5 1000<4<2000 ±4.0		DRAWING NUMBER: P08E25M_DC
DRAWN BY: WSJ	DATE: 07/17/2017	SCALE: NONE
CHK: SEAN		SHT 1 OF 1
		SCALE: B