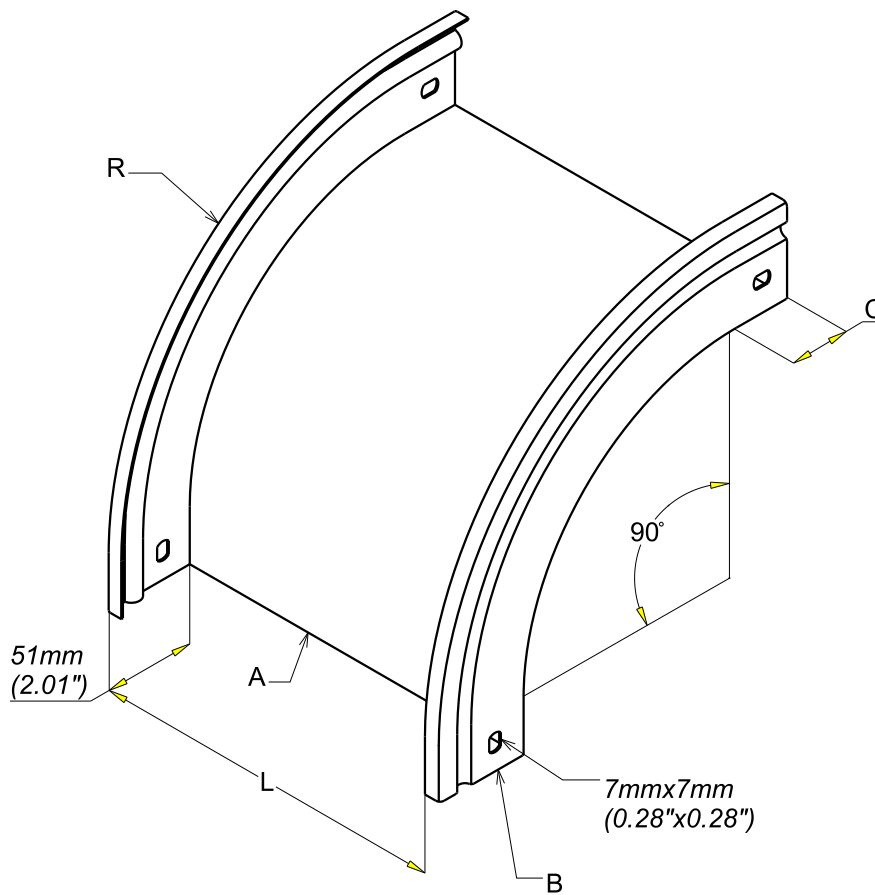


FT0532-0

10 16



REF	CODE	L /L		A /A		B /B		C /C		R /R	
		(mm)	(inch)	(mm)	(inch)	(mm)	(inch)	(mm)	(inch)	(mm)	(inch)
P31 OR 50x50	341 038	50	(1.97")	0.8	(0.032")	1	(0.039")	30	(1.18")	70	(2.75")
P31 OR 50x75	340 839	75	(2.92")	0.8	(0.032")	1	(0.039")	30	(1.18")	178	(7.01")
P31 OR 50x100	341 039	100	(3.94")	0.8	(0.032")	1	(0.039")	30	(1.18")	178	(7.01")
P31 OR 50x150	341 040	150	(5.91")	0.8	(0.032")	1	(0.039")	30	(1.18")	178	(7.01")
P31 OR 50x200	341 041	200	(5.91")	0.8	(0.032")	1	(0.039")	30	(1.18")	178	(7.01")
P31 OR 50x300	341 042	300	(7.87")	1	(0.039")	1	(0.039")	30	(1.18")	178	(7.01")
P31 OR 50x400	341 043	400	(11.81")	1	(0.039")	1	(0.039")	50	(1.97")	251	(9.89")
P31 OR 50x500	341 044	500	(19.69")	1	(0.039")	1	(0.039")	50	(1.97")	251	(9.89")
P31 OR 50x600	341 045	600	(23.62")	1	(0.039")	1	(0.039")	50	(1.97")	251	(9.89")

Material	Standard
DX 51 D Z 200 MAC	EN 10 346