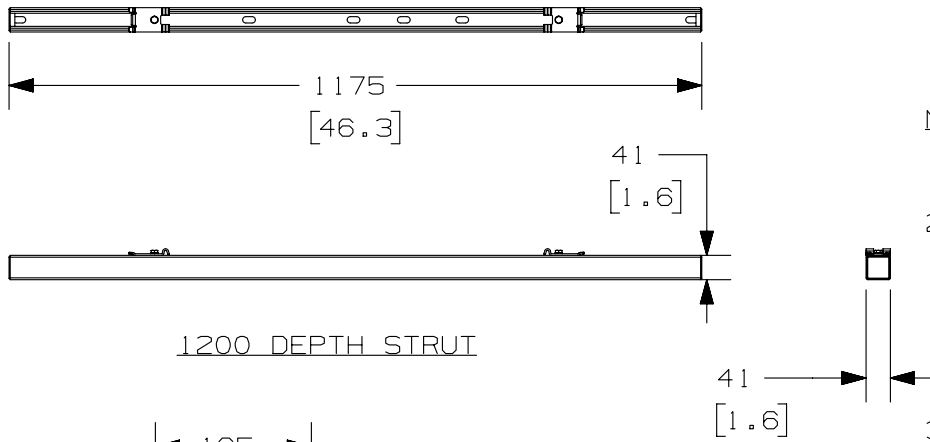


THIS COPY IS PROVIDED ON A RESTRICTED BASIS AND IS NOT TO BE USED IN ANY WAY DETRIMENTAL TO THE INTERESTS OF PANDUIT CORP.

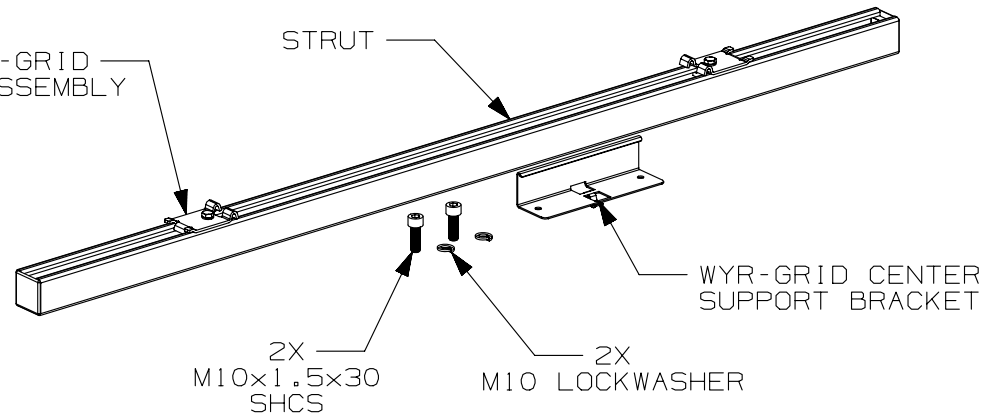
PANDUIT PART NUMBER	WEIGHT
WGCMB1200**	8.92 LBS (4.05 kg)



NOTES:

- VISIT OUR ON-LINE CATALOG AT WWW.PANDUIT.COM FOR A LIST OF CURRENT PARTS APPLICABLE FOR USE WITH THIS PRODUCT.
- THE WYR-GRID CABINET MOUNT BRACKET 1200 PACKAGE CONTAINS THE FOLLOWING:
 ONE (1) WYR-GRID CENTER SUPPORT BRACKET
 TWO (2) FIBERRUNNER/WYR-GRID QUIKLOCK CLIP ASSEMBLY
 ONE (1) TOP OF CABINET 1200 DEPTH STRUT ASSEMBLY
 TWO (2) M10 X 1.5 X 30 SOCKET HEAD CAP SCREW
 TWO (2) M10 HELICAL SPRING LOCKWASHER
- ALL DIMENSIONS IN PARENTHESES ARE INCHES.

FIBERRUNNER/WYR-GRID QUIKLOCK CLIP ASSEMBLY

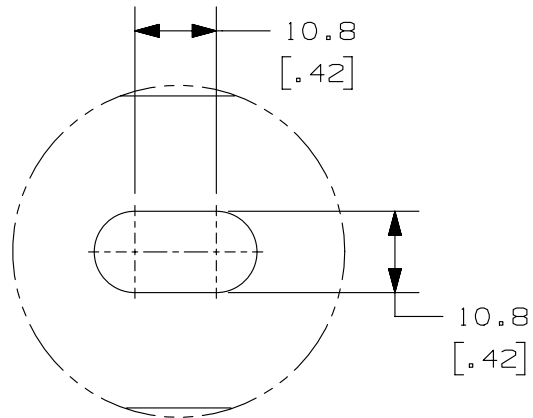
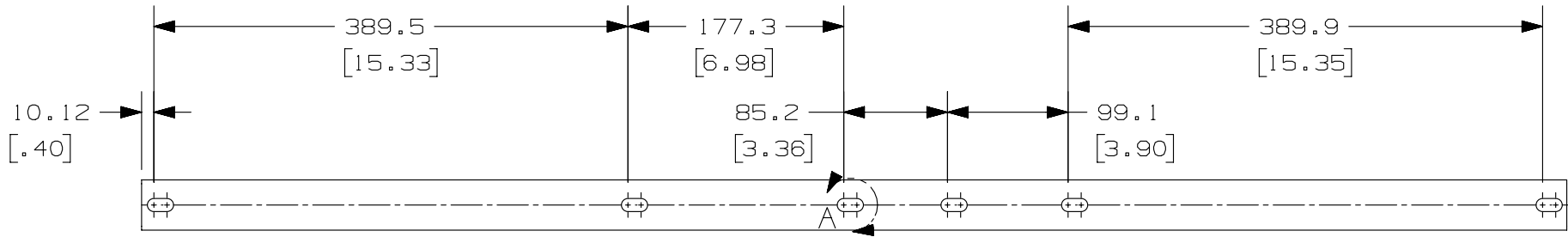


WYR-GRID CENTER SUPPORT BRACKET

REV	DATE	BY	CHK	APR	DESCRIPTION	ECN
01A	12-16-14	TWV	DWR		RELEASED TO PRODUCTION	V09000DB

TITLE		WYR-GRID CABINET MOUNT BRACKET 1200 (WGCMB1200**)	
ITEM REVISION NAME		CUSTOMER DRAWING	
DATASET FILE NAME		14D419AF/01	
UNLESS OTHERWISE SPECIFIED, DIMENSIONAL TOLERANCES ARE:		MATERIAL:	
INCHES	METRIC - MILLIMETER	N/A	
X.X +/- 0.18	X.X +/- 0.57		
X.XX +/- 0.10	X.X +/- 0.254		
X.XXX +/- 0.036	X.XX +/- 0.92		
DRAWING NUMBER:		14D419AF-DC	
DRAWN BY		SCALE	
TWV	12-16-14	NONE	
CHK		SIZE	
DWR		A	

THIS COPY IS PROVIDED ON A RESTRICTED BASIS AND IS NOT TO BE USED IN ANY WAY DETRIMENTAL TO THE INTERESTS OF PANDUIT CORP.



DETAIL A
SCALE 1:1

						TITLE WYR-GRID CABINET MOUNT BRACKET 1200 (WGCMB1200**)		CUSTOMER DRAWING				
						ITEM REVISION NAME 14D419AF/01		PANDUIT				
						DATASET FILE NAME 14D419AF_DC/01A WGCMB1200**						
						UNLESS OTHERWISE SPECIFIED, DIMENSIONAL TOLERANCES ARE:		MATERIAL: N/A				
						INCHES +/- 0.18 METRIC - MILLIMETER +/- 0.57 ANGLE +/- 1°						
						X.X +/- 0.10 X.X +/- 2.54						
						X.XXX +/- 0.036 X.XXX +/- 0.92						
01A	12-16-14	TWV	DWR	SEE SHT ONE FOR REVISIONS		V09000DB		DRAWING NUMBER: 14D419AF-DC				
REV	DATE	BY	CHK	APR	DESCRIPTION	ECN	DRAWN BY TWV	DATE 12-16-14	CHK DWR	SCALE NONE	SHT 2 OF 2	SIZE A