

Part number

MHO 32 L40



Hood, C-TYPE series, with 2 pegs, M40 side cable entry, size "77.62"

Product description		Material properties	
Product type	Hood	Colour	RAL 7040 grey
Series	C-TYPE		Compliant with exemption 6(c): copper alloy containing up to 4% lead by weight
Closing type	With 2 pegs	RoHs conformity	
Size	Size 77.62	China RoHs - EFUP	50
Cable entry	Side cable entry with adapter M40	REACH SVHC substances	Yes Lead
Technical data		SCIP number	15deaf78-e939-4401-a0b0-e2228ca32a03
IP degree of protection	IP65 / IP66 / IP69	Approvals / Standards	
Further technical details		Certifications	DNV, BV
Weight	465,00 g	UL	ECBT2
Operating temperature range (min, max)	-40°C...+125°C	cUL	ECBT8
		General ordering information	
		EAN13 code	8015747053631
		eCl@ss 8.1	27440202
		ETIM 7.0	EC000437
		Packaging Information	
		Packaging length	370,00 mm
		Packaging height	140,00 mm
		Packaging width	210,00 mm
		Packaging weight	3,95 kg
		Packaging volume	10,88 dm ³
		Packaging description	Carton box
		Packaging quantity	8 Pcs
		Packaging EAN code	8015747053648
		Sub-packaging weight	0,49 kg
		Sub-packaging description	Plastic packaging
		Sub-packaging quantity	1 Pcs
		Sub-packaging EAN barcode	8015747053655

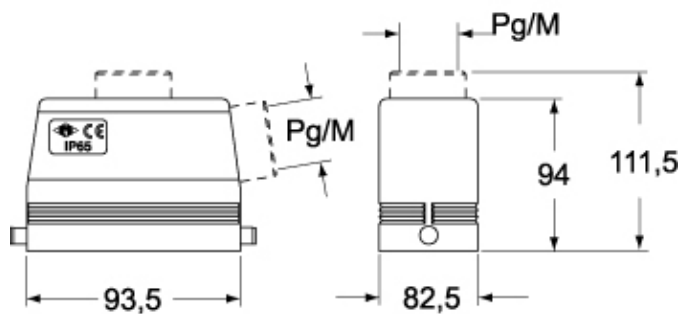
Part number

MHO 32 L40

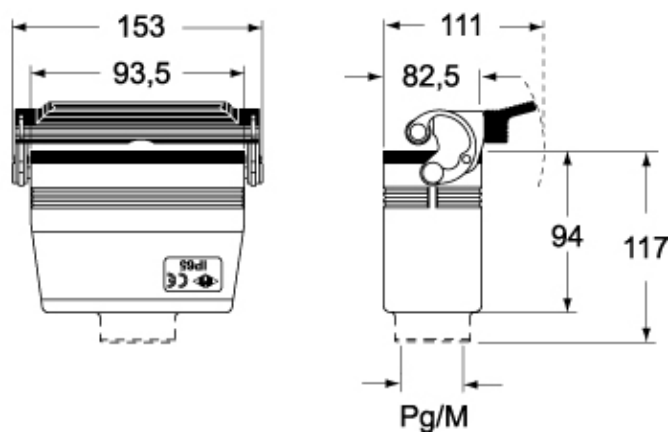


Catalogue drawings

CHO L - CHV L MHO/MFO/MFV L - MHV L



CHV LG - MHV LG - MFV LG



Notes

Dimensions shown in mm are not binding and may be changed without notice.