

**CLIP POUR COUVERCLE  
CLIPCO**

 Reference(s) : 348 420 / 427 / 428  
348 580 / 587 / 588

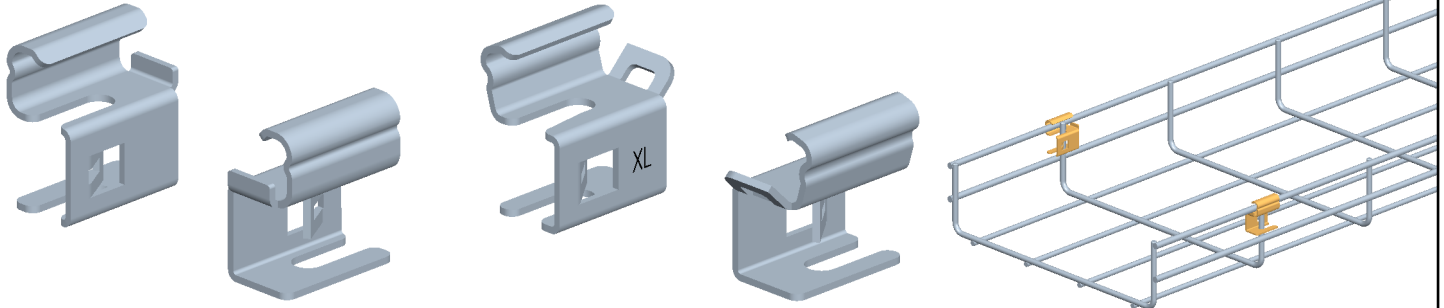

ZF31 H25-&gt;100mm



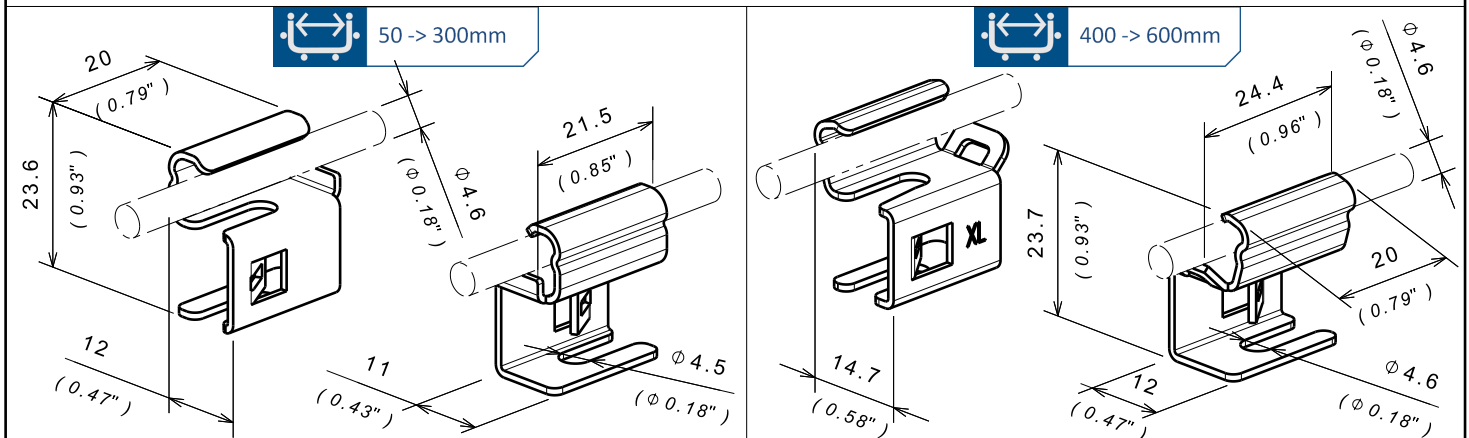
3 m



50 -&gt; 600mm


**1. GAMME / RANGE**

Designation	Code	Poids / Weight (Kg / lb)		Epaisseur / Thickness (mm / inch)		Matière / Material	Norme / Standard	Finition / Coating	Classe de résistance contre la corrosion / Class for resistance against corrosion
CLIPCO GS	348 580	0.0075	0.039	1	0.039"	DX 53 D Z200	EN 10130	GS / PG	Class 3 / IEC 61537
CLIPCO ZnL	348 587	0.0075	0.039	1	0.039"	DX 53 D Z200	EN 10130	ZnL	Class 6 / IEC 61537
CLIPCO 304	348 588	0.0075	0.039	1	0.039"	X5 Cr Ni 18-10	EN 10088-2	IN304 / SS304	Class 9D / IEC 61537
CLIPCO XL GS	348 420	0.0072	0.038	1	0.039"	DX 53 D Z200	EN 10130	GS / PG	Class 3 / IEC 61537
CLIPCO XL ZnL	348 427	0.0072	0.038	1	0.039"	DX 53 D Z200	EN 10130	ZnL	Class 6 / IEC 61537
CLIPCO XL 304	348 428	0.0072	0.038	1	0.039"	X5 Cr Ni 18-10	EN 10088-2	IN304 / SS304	Class 9D / IEC 61537

**2. DIMENSIONS (mm/inch)**

**3. INSTALLATION**
