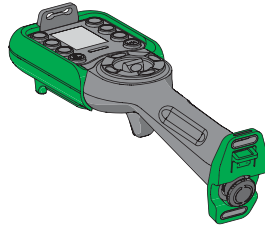
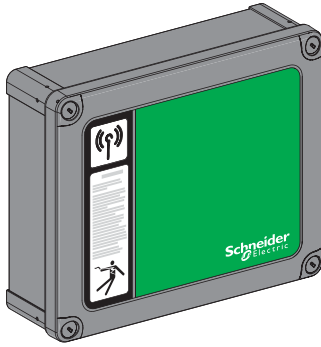




Quick Start Guide

Harmony™ eXLhoist



⚠ DANGER

HAZARD OF ELECTRIC SHOCK, EXPLOSION OR ARC FLASH

- Disconnect all power from all equipment including connected devices, prior to removing any covers or doors, or installing or removing any accessories, hardware, cables, or wires except under the specific conditions specified in the appropriate hardware guide for this equipment.
 - Always use a properly rated voltage sensing device to confirm the power is off where and when indicated.
 - Replace and secure all covers, accessories, hardware, cables, and wires and confirm that a proper ground connection exists before applying power to the unit.
 - Use only the specified voltage when operating this equipment and any associated products.
- Failure to follow these instructions will result in death or serious injury.**

⚠ WARNING

UNINTENDED EQUIPMENT OPERATION

- Use appropriate safety interlocks where personnel and/or equipment hazards exist.
 - Install and operate this equipment in an enclosure appropriately rated for its intended environment.
 - Do not disassemble, repair, or modify this equipment.
 - Do not connect any wiring to unused connections, or to connections designated as Not Connected (N.C.).
- Failure to follow these instructions can result in death, serious injury, or equipment damage.**

It is recommended to charge the battery once a week, for a duration of at least 4 hours.

Electrical equipment should be installed, operated, serviced, and maintained only by qualified personnel. No responsibility is assumed by Schneider Electric for any consequences arising out of the use of this material. You can download our technical user guide file as well as the eXLhoist configuration software from our website at www.schneider-electric.com.

⚠ WARNING

UNINTENDED EQUIPMENT OPERATION

Power line must be wired and protected with fuse or thermal magnetic switch (ex: Schneider-Electric GV2) in compliance with local and national regulatory requirements for the rated current and voltage of the particular equipment.

Failure to follow these instructions can result in death, serious injury, or equipment damage.

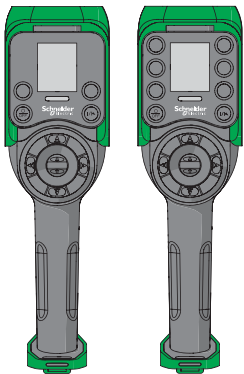
⚠ WARNING

UNINTENDED EQUIPMENT OPERATION

Put the remote into STOP mode when not operating the unit to avoid accidental operations of motions push buttons.

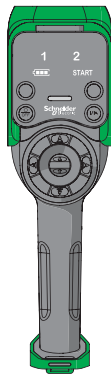
Failure to follow these instructions can result in death, serious injury, or equipment damage.

Note: You can decrease the "stand-by time out" value using the configuration software tool to reduce the time the remote is in run mode.



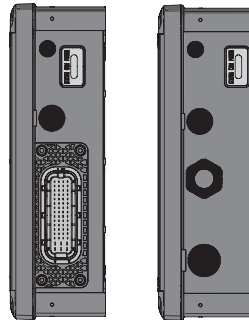
ZART8DM ZART12DM

Remote control device Master for MBC



ZART8LM

Remote control device Slave for MBC



ZARB18HM ZARB18WM

Base stations for Multi Base Control (MBC)

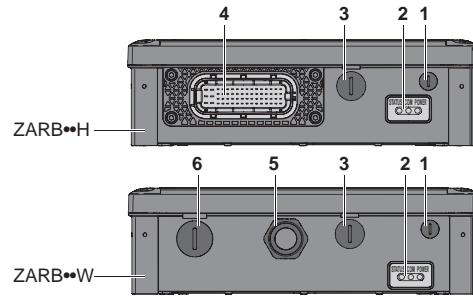
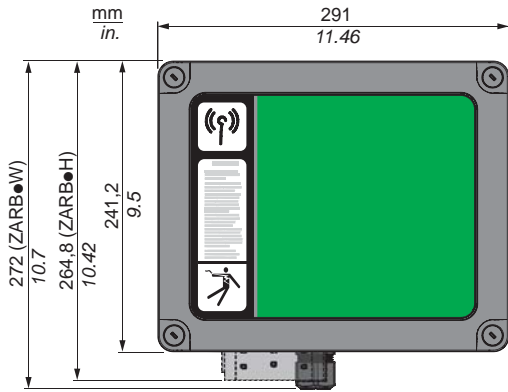
Main characteristics



UNINTENDED EQUIPMENT OPERATION

Install and operate this equipment according to the environmental conditions described in the operating limits.
Failure to follow these instructions can result in death, serious injury, or equipment damage.

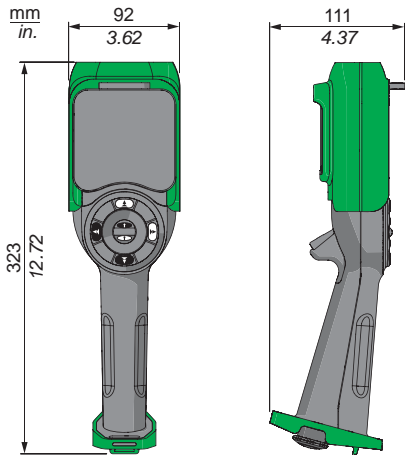
Base station ZARB●●●



- 1 : M12 for external antenna (covered by cap)
- 2 : Status LEDs
- 3 : M20 for the safeguarding function input wires (covered by cap)
- 4 : 62 pins connector
- 5 : M25 for output wires (covered by cable gland)
- 6 : M25 for detected applicative alarms input wires (covered by cap)

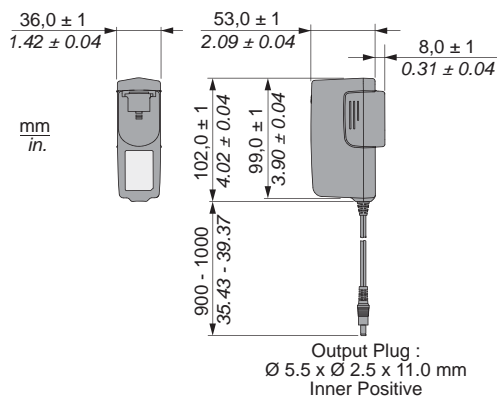
Specifications	Details	Values	
		ZARB18HM	ZARB18WM
Operating voltage	AC/DC power supply Min...max	24...48 V AC/DC ± 20%	24...240 V AC/DC ± 20%
Current consumption (maximum current in connected or not connected state)	For 24V DC	328 mA	
	For 24V AC	535 mA	
	For 48V DC	155 mA	
	For 48V AC	312 mA	
	For 240V DC	-	44 mA
	For 240V AC	-	250 mA
Operating temperature	For 24...48 V AC/DC power supply	-25...70°C (-13...158°F)	
	For 48...130 V AC/DC power supply	-	-25...70°C (-13...158°F)
	For 130...240 V AC/DC power supply	-	-25...50°C (-13...122°F)
Degree of protection	-	IP65 / NEMA 4	

Remote control ZART●●●



Specifications	Details	Values		
		ZART8L	ZART8D	ZART12D
Operating radio range	Free field	> 300 m		
Operating temperature	-	-20...60°C (-4...140°F)		
Operating temperature to charge battery	Office environment	10...40°C (50...104°F)		
Degree of protection	-	IP65 / NEMA 4		

Charger for remote device



Specifications	Details	Values
Operating voltage	-	110 / 240 VAC
Operating temperature	Office environment	0...40°C (32...104°F)
Degree of protection	-	IP20

Wiring

⚠ WARNING

UNINTENDED EQUIPMENT OPERATION

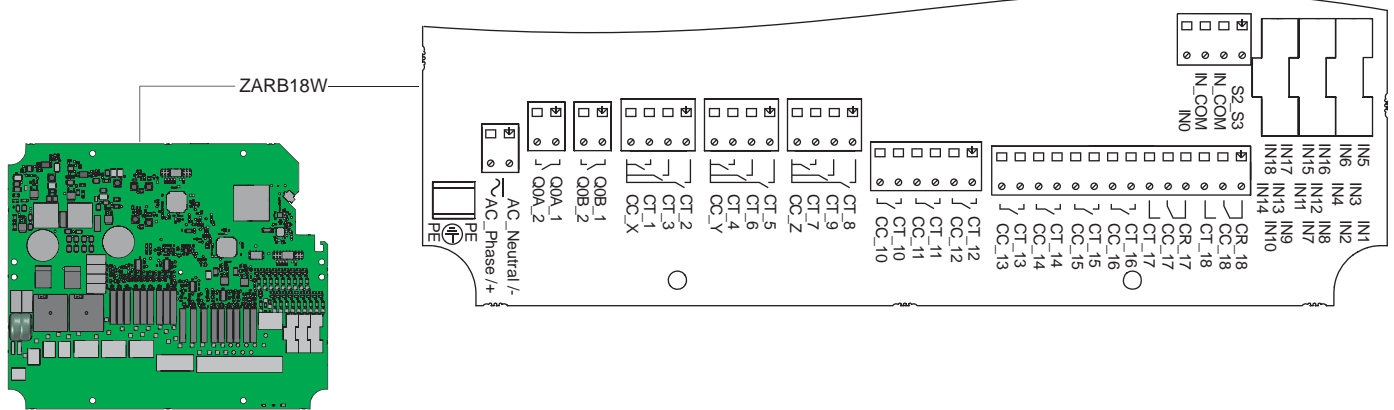
- Use shielded cables wherever specified for inputs and outputs connections.
 - Properly ground the cable shields as indicated in the related documentation.
 - Route I/O cables separately from power cables.
- Failure to follow these instructions can result in death, serious injury, or equipment damage.**

⚠ WARNING

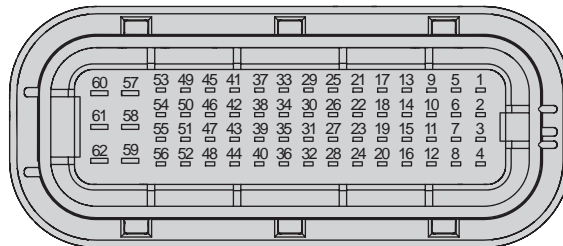
UNINTENDED EQUIPMENT OPERATION

Connect the Base Station protective earth ground connection to the machine ground.
Failure to follow these instructions can result in death, serious injury, or equipment damage.

Base station terminal wiring



Base station ZARB●H - Connector pin out



A : Pin number
 B : ZARB18H description

1	CR_18	17	CT_16	33	CT_7	49	-
2	CC_18	18	CT_15	34	CC_Y	50	-
3	CT_18	19	S2/S3	35	CT_2	51	-
4	CT_13	20	IN3	36	IN1	52	-
5	CR_17	21	CC_16	37	Q0A_1	53	-
6	CC_17	22	CC_15	38	Q0A_2	54	-
7	CT_17	23	-	39	CT_3	55	-
8	CC_13	24	IN2	40	IN4	56	-
9	CT_14	25	CT_9	41	Q0B_1	57	-
10	CC_12	26	CT_8	42	Q0B_2	58	-
11	CT_11	27	CT_5	43	CT_1	59	-
12	CC_10	28	IN_COM	44	IN5	60	AC_Neutral
13	CC_14	29	CC_Z	45	PE	61	-
14	CT_12	30	CT_6	46	-	62	AC_Phase
15	CC_11	31	CT_4	47	CC_X		
16	CT_10	32	IN0	48	IN6		

Cable length maximum 50 m (164 ft)

⚠ DANGER

FIRE HAZARD

Use only the recommended wire sizes for I/O channels and power supplies.
Failure to follow these instructions will result in death or serious injury.

NOTICE

INOPERABLE EQUIPMENT

Do not tighten screw terminals beyond the specified maximum torque (Nm / lb-in.).
Failure to follow these instructions can result in equipment damage.

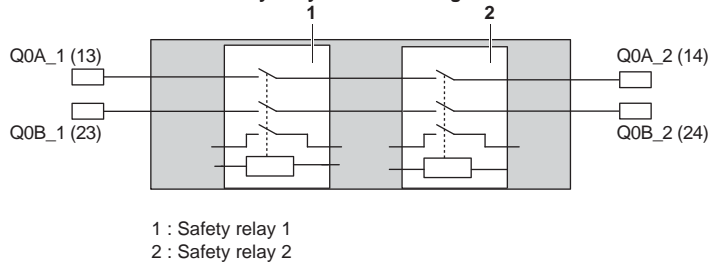
mm in.	7 0.28								
mm ²		0.2...2.5	0.2...2.5	0.25...2.5	0.25...2.5	2 x 0.2...1	2 x 0.2...1.5	2 x 0.25...1	2 x 0.5...1.5
AWG		24...14	24...14	23...14	23...14	2 x 24...17	2 x 24...16	2 x 23...17	2 x 20...16
				N•m	0.5...0.6				
Ø 3.5 mm (0.14 in.)				lb-in	4.42...5.31				

Electrical diagram

Base station ZARB●●● - Inputs / Outputs

Input / Output	Possible uses (depending of the configuration)
IN0	Feedback loop input
IN1...IN6	Applicative Alarm
IN7...IN18	Limit Switches
Q0A (13/14) Q0B (23/24)	Safety relays
Q1...Q9	Motion relays
Q10...Q16 (NO type)	Auxiliary relays
Q17, Q18 (NO+NC type)	Specific relays

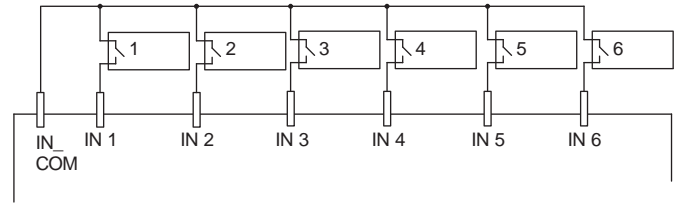
Base station ZARB●●● safety relays internal wiring



Base station ZARB18● - Applicative alarms

Input	Description
IN1	Overload pre-alarm
IN2	Overload alarm
IN3	Over wind pre-alarm
IN4	Over wind alarm
IN5	Over speed alarm
IN6	Generic alarm

Base station ZARB18● wiring diagram for the applicative alarm devices

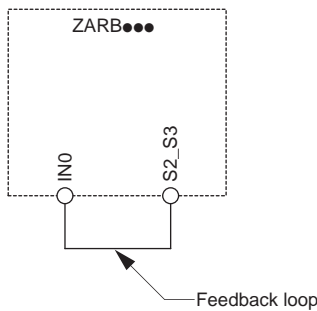


The ZARB18● base station implements 6 inputs : IN1...IN6
Differents sensors can be connected to these inputs
These inputs are dedicated for applicative alarms

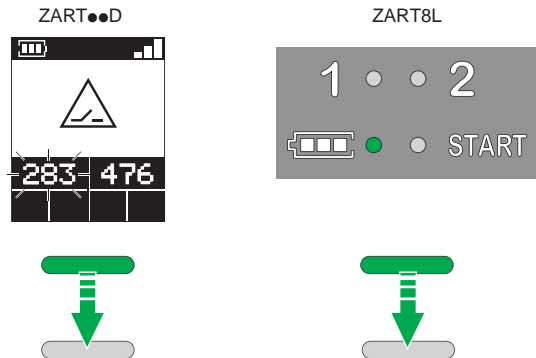
The IN1 to IN6 input cable length should not exceed 50 m (164 ft)

For E-Stop SIL3, PL_e, category 4 refer to the user manual.
For the other cases, connect IN0 to S2_S3 signals.

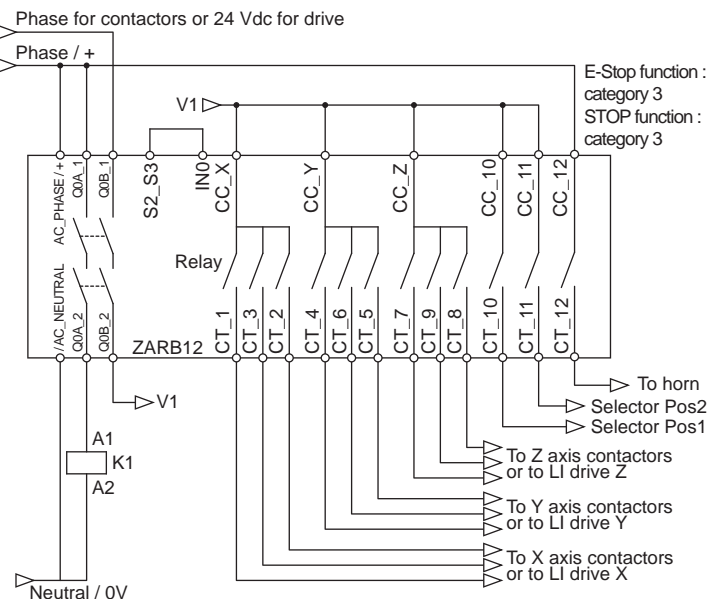
Inform that the feedback loop is opened



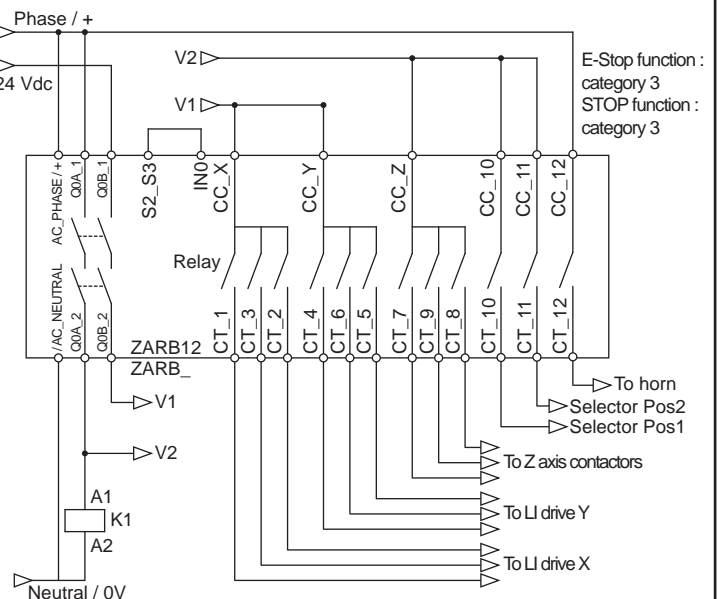
Label blinking indicates which base station is affected



Example of wiring for E-Stop and Stop SIL2, PL_d, category 3

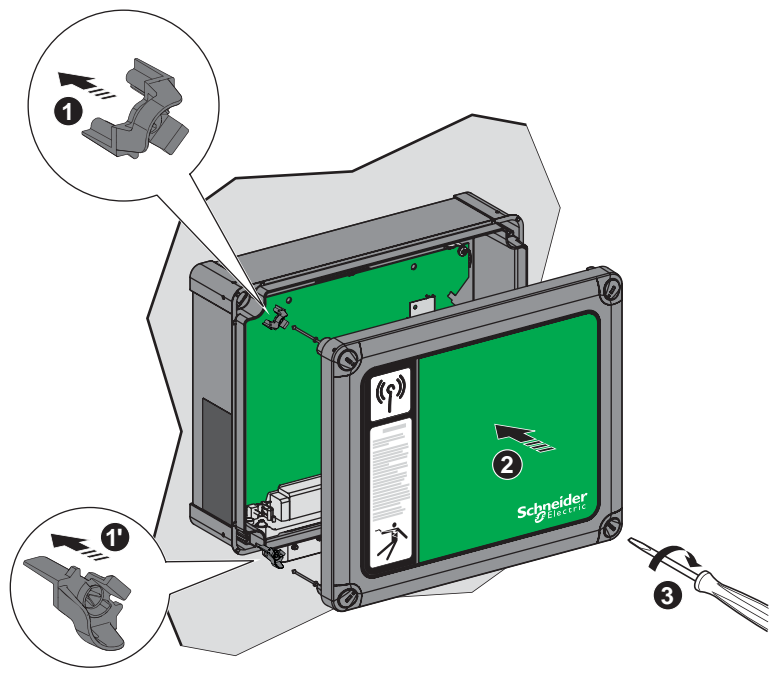
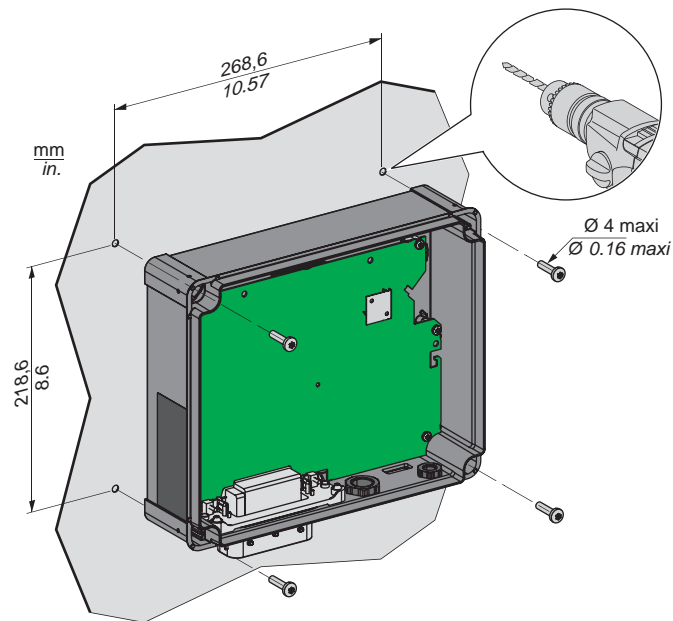
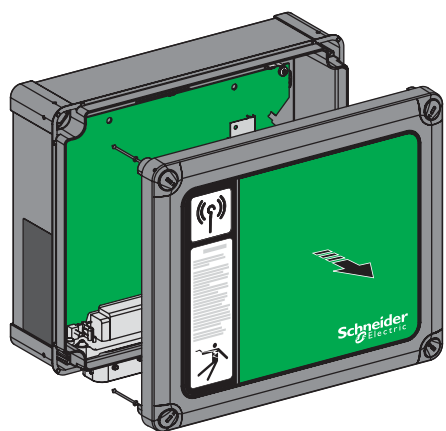


Example of wiring for E-Stop and Stop SIL2, PL_d, category 3, mix drives and contactors

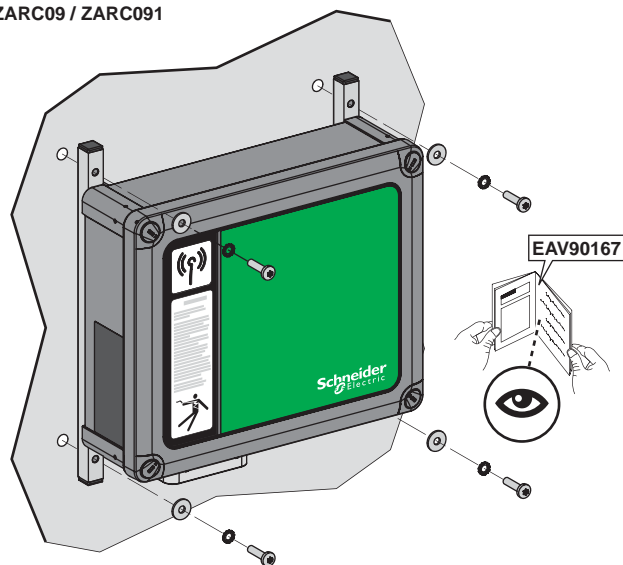




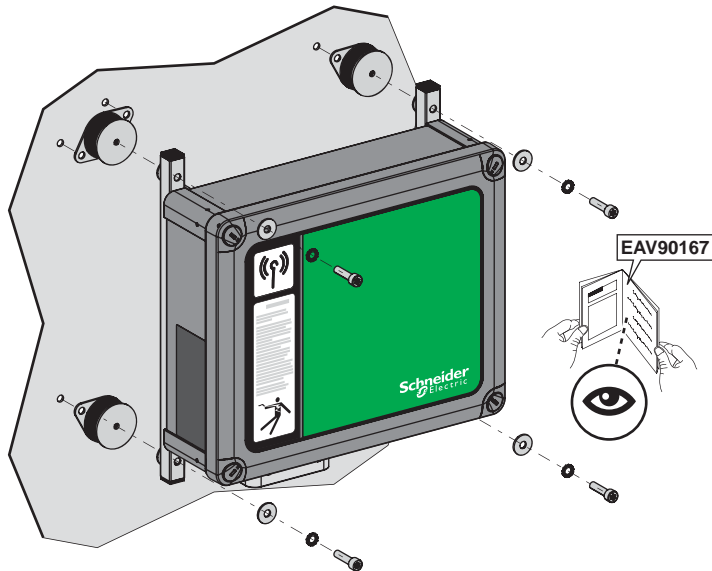
Mechanical installation



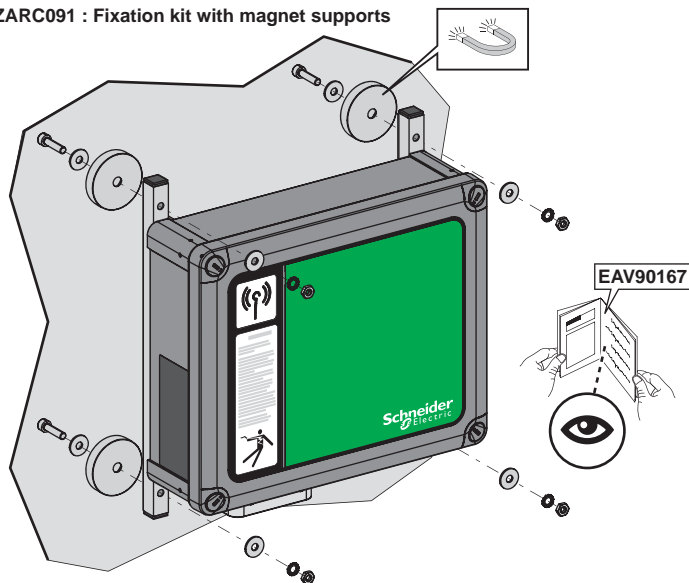
ZARC09 / ZARC091



ZARC09 : Fixation kit with silent block



ZARC091 : Fixation kit with magnet supports



Replacement with discovering (only for ZART●●D)

Primary Base station ID : 00-80-F4-00-11-AE
Label : 283

Secondary Base station ID : 00-80-F4-00-02-58
Label : 476

1 s

P7/8

2

3

STAT/S C/M POWER

00.11.AE/283

4

5

6

7

8

9

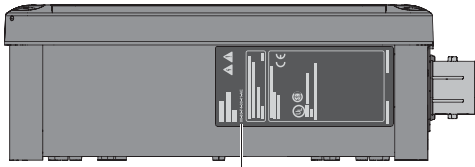
2 s

10

1 s

283

Pairing with configuration software

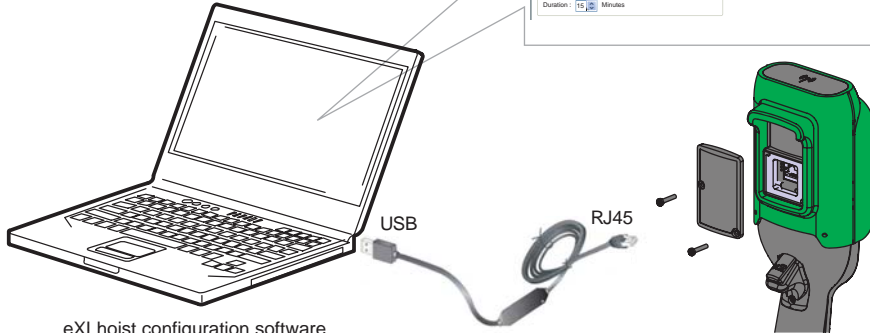


Primary base station ID : 00-80-F4-00-11-AE
Label : 283

Identification Settings		Accessory Selection		Base Selection
Remote:	Single	Enable	<input checked="" type="checkbox"/>	S1
	Tandem	Nb Button	10 12 11	
	Slave	Nb Position	3 2	85-88+07-37
	Master	Change in RUN <input checked="" type="checkbox"/> <input checked="" type="checkbox"/>		
Base station choice:	ID primary: 00-80-F4-00-11-AE	ID secondary: 00-80-F4-00-02-5B	Label: 476	
START access sequence				
<input type="checkbox"/> Enable				
Step: 1 2 3 4 5 6				
Button: <input type="checkbox"/> <input type="checkbox"/> <input type="checkbox"/> <input type="checkbox"/> <input type="checkbox"/> <input type="checkbox"/>				
E-STOP RESET sequence				
<input type="checkbox"/> Enable				
Step: 1 2 3 4 5 6				
Button: <input type="checkbox"/> <input type="checkbox"/> <input type="checkbox"/> <input type="checkbox"/> <input type="checkbox"/> <input type="checkbox"/>				
Standby timeout				
Duration: 15 Minutes				

00-80-F4-00-11-AE

283



eXLhoist configuration software



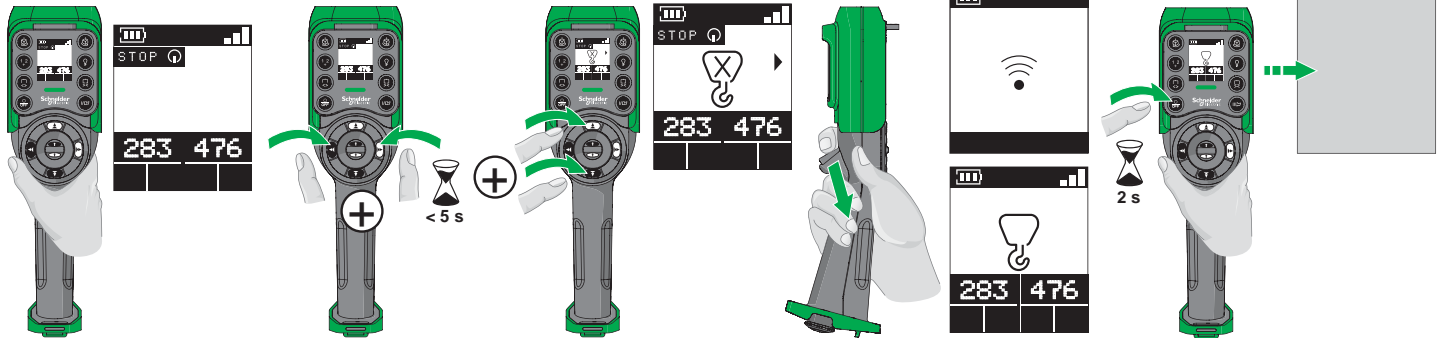
www.schneider-electric.com

NOTICE

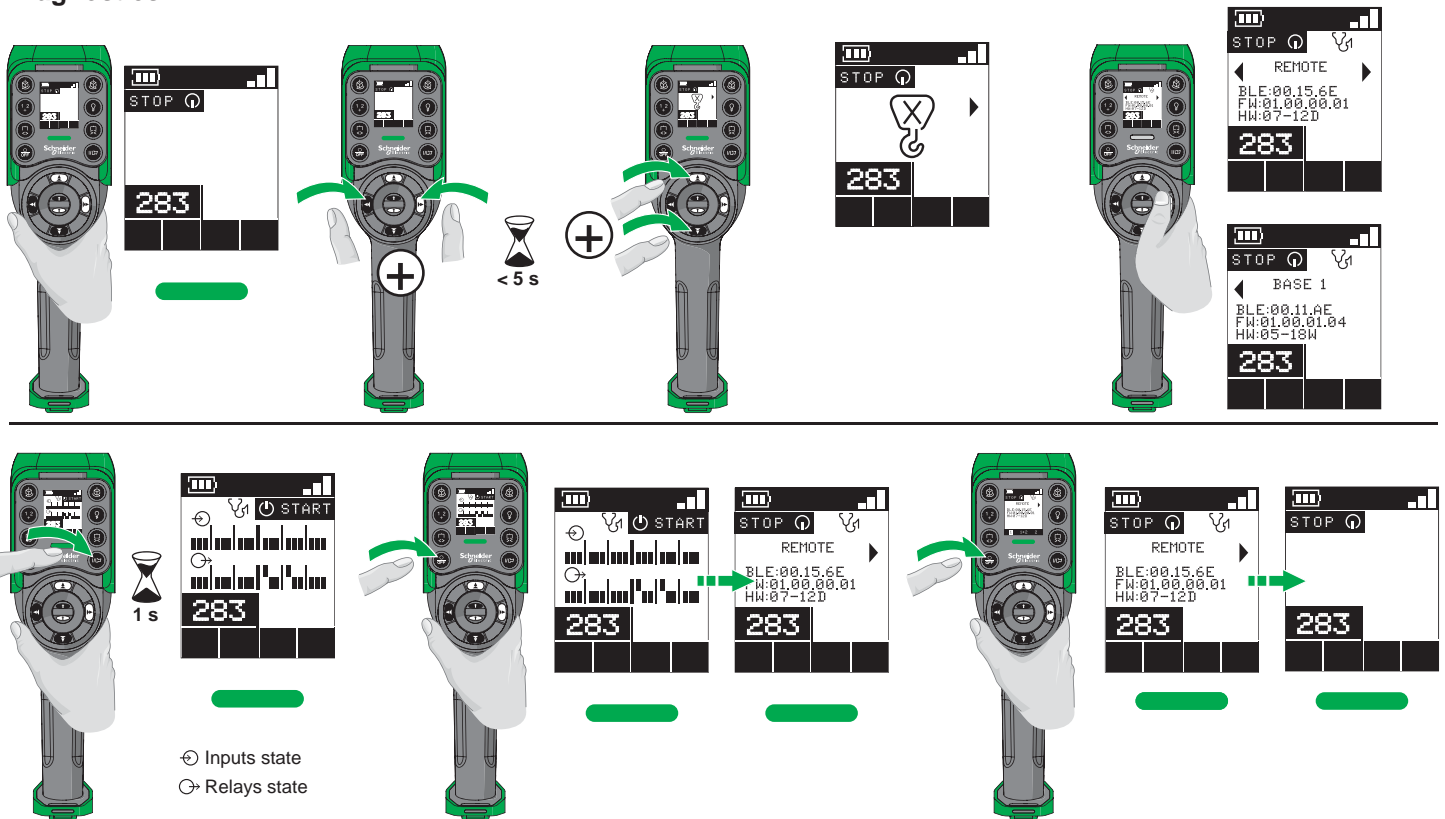
INOPERABLE EQUIPMENT

- Always connect the communication cable to the PC before connecting it to the device.
- Only use the Schneider Electric cable TCSCMNAM3M002P. Failure to follow these instructions can result in equipment damage.

Unpairing



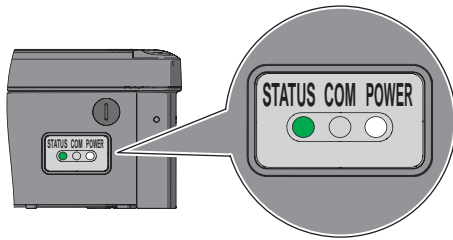
Diagnostics



⊕ Inputs state
⊖ Relays state

Diagnostics

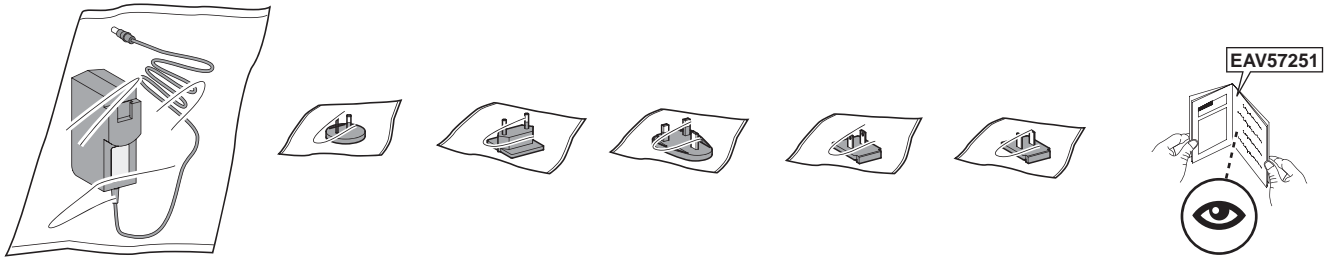
Base station ZARB●●● - Diagnostic LEDs



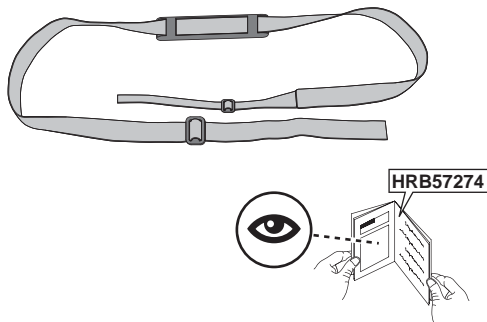
LED	Color	State	Description
Status	Green	ON	The remote control system is working properly
		OFF	Base station power OFF or internal fault detected
COM	Yellow	OFF	No communication between the base station and the remote control device
		Blinking	The communication is established between the base station and the remote control device
Power	White	OFF	Base station powered OFF
		ON	Base station powered ON

Accessories

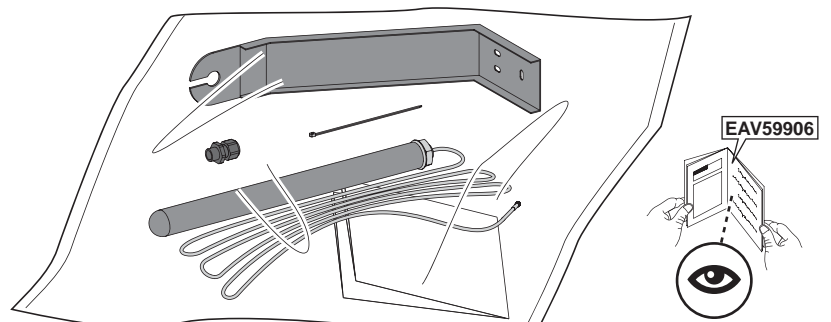
ZARC01 : Charger for remote device



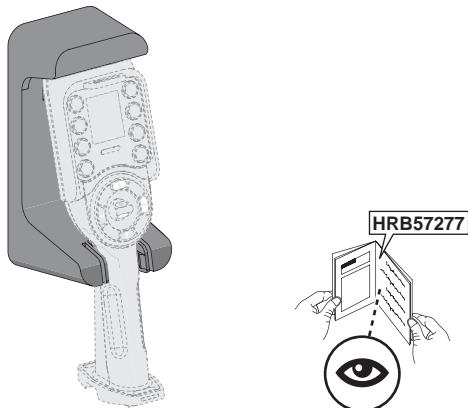
ZARC02 : Shoulder belt for remote device



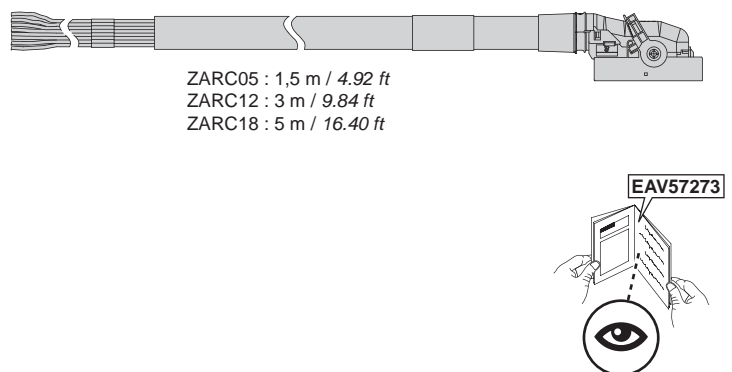
ZARC03 : External antenna for base station



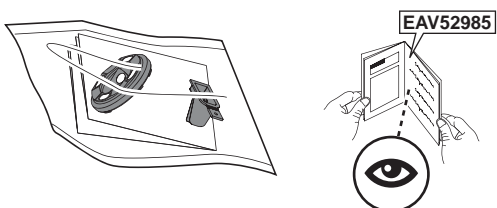
ZARC04 : Holder for remote device



ZARC05 / ZARC12 / ZARC18 : Connector plug female



ZARC20 : Bellows



ZARC21 : Protections

