

2

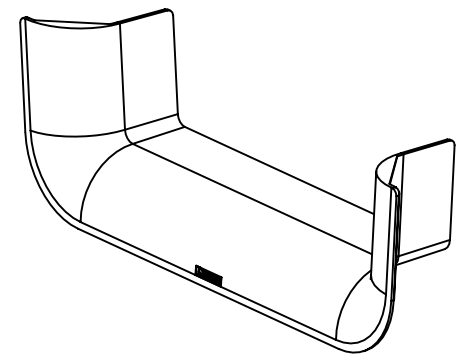
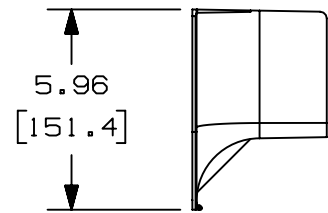
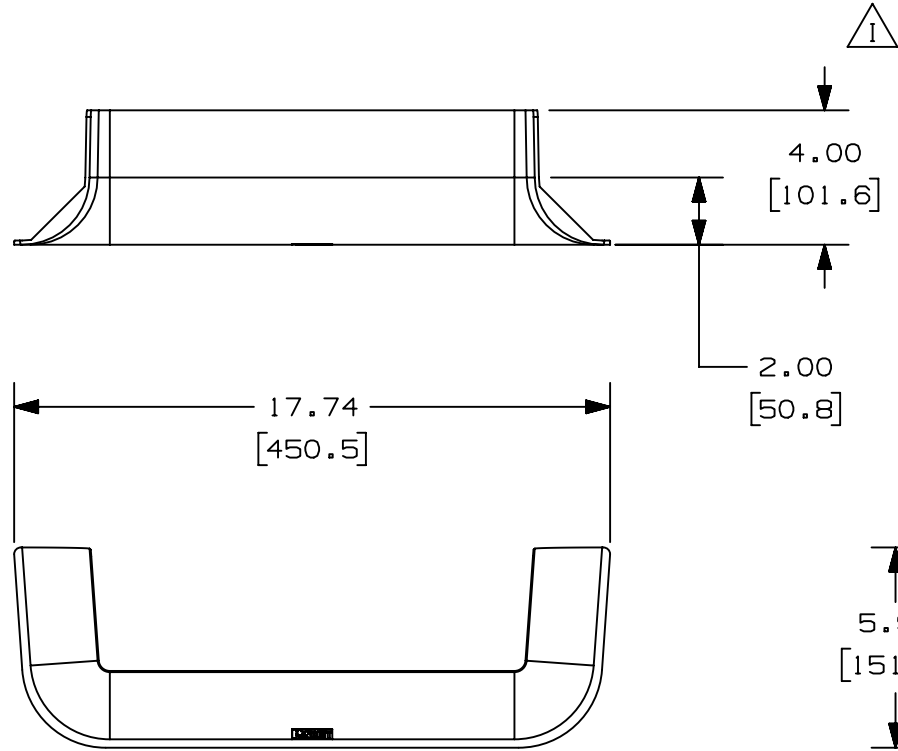
1

THIS COPY IS PROVIDED ON A RESTRICTED BASIS AND IS NOT TO BE USED IN ANY WAY DETRIMENTAL TO THE INTERESTS OF PANDUIT CORP.

PANDUIT PART NUMBER	WEIGHT	MATERIAL
FRTR12X4**	0.6 LB/EACH (272g/EACH)	ABS
FRTR12X4L**	0.6 LB/EACH (272g/EACH)	PC/ABS

NOTES:

1. SEE CURRENT CATALOG FOR ADDITIONAL PART SUFFIXES TO INDICATE COLOR AND/OR PACKAGE QUANTITY.
2. THE FIBERRUNNER 12x4 3-SIDED BEND RADIUS CONTROL TRUMPET IS DESIGNED WITH A MINIMUM 2" (50.8) BEND RADIUS TO PROTECT FIBER OPTIC CABLES.
3. DIMENSIONS IN PARENTHESES ARE IN METRIC.



B

B

A

A

NGLOBAL-ASIZE

REV	DATE	BY	CHK	APR	DESCRIPTION	ECN
06A	9/2/2020	MES	DWR	DWR	J. UPDATED GEOMETRY AND WIDTH DIMENSION	V09002DZ/05
04A	1-14-20	MES	DWR	DWR	I. ADDED FRTR12X4L** PART NUMBER	V09002DZ/01

<b>TITLE</b> FIBERRUNNER 12x4 3-SIDED BEND RADIUS CONTROL TRUMPET (FRTR12X4**, FRTR12X4L**) CUSTOMER DRAWING					
<b>ITEM REVISION NAME</b> D37617BP/06					
<b>DATASET FILE NAME</b> D37617BP_DC/06A					
UNLESS OTHERWISE SPECIFIED, DIMENSIONAL TOLERANCES ARE: (.X) ± .03 (.8)      (.XXX) ± .03 (.XX) ± .03 (.8)      ANGLES ±					<b>MATERIAL:</b> SEE PART NUMBER TABLE ABOVE
THIRD ANGLE PROJECTION					<b>DRAWING NUMBER:</b> 37617-87
<b>DRAWN BY</b> JNHU	<b>DATE</b> 1-19-01	<b>CHK</b> RPA	<b>SCALE</b> NONE	<b>SHT 1 OF 1</b>	<b>SIZE</b> A

2

1