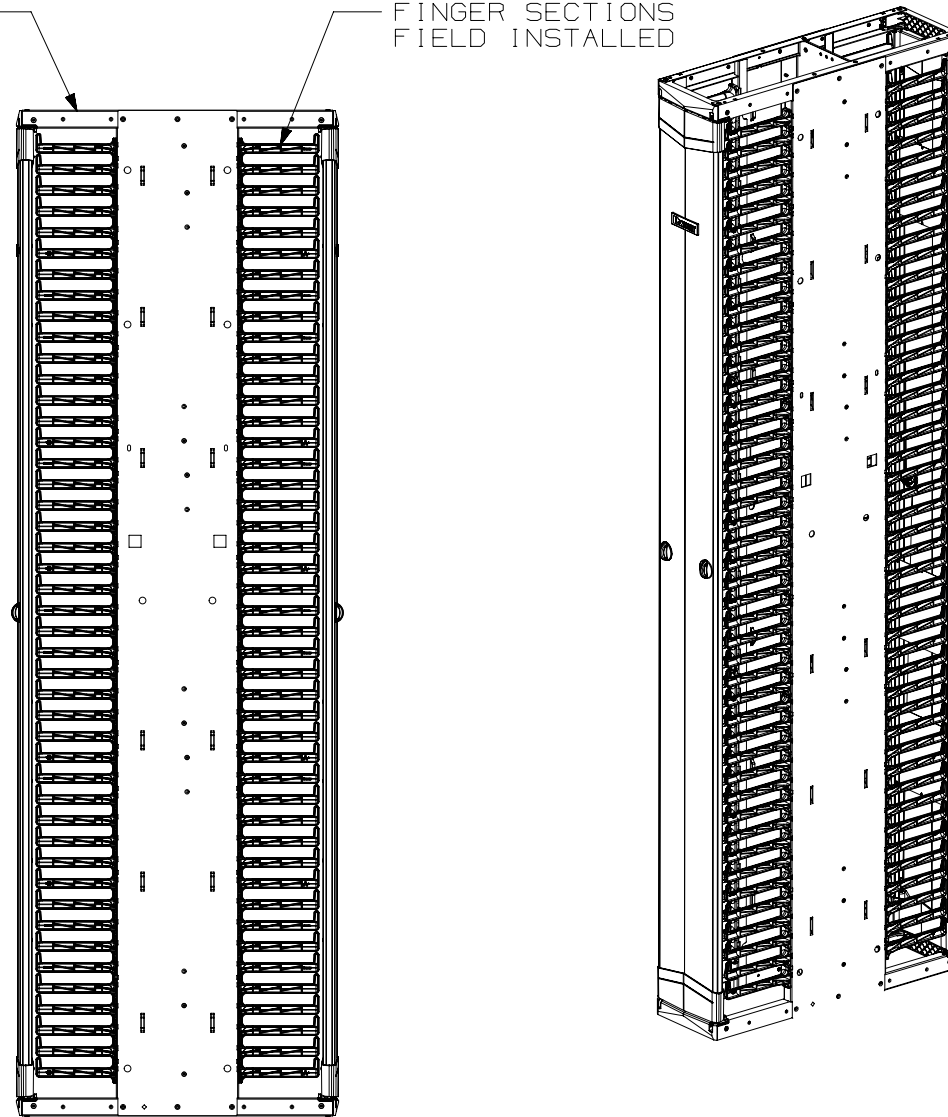
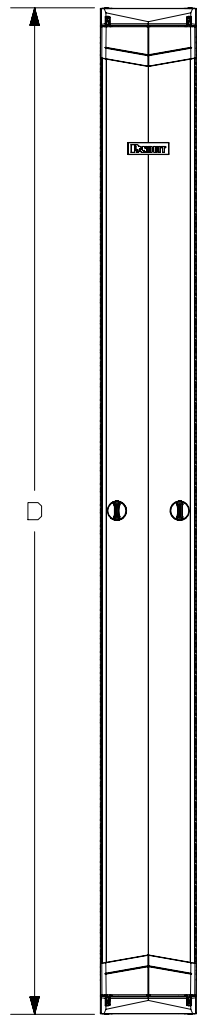


DISTANCE OF OPEN DOOR

DOOR SUPPORTS FIELD INSTALLED

FINGER SECTIONS FIELD INSTALLED



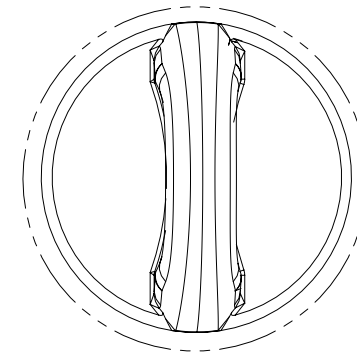
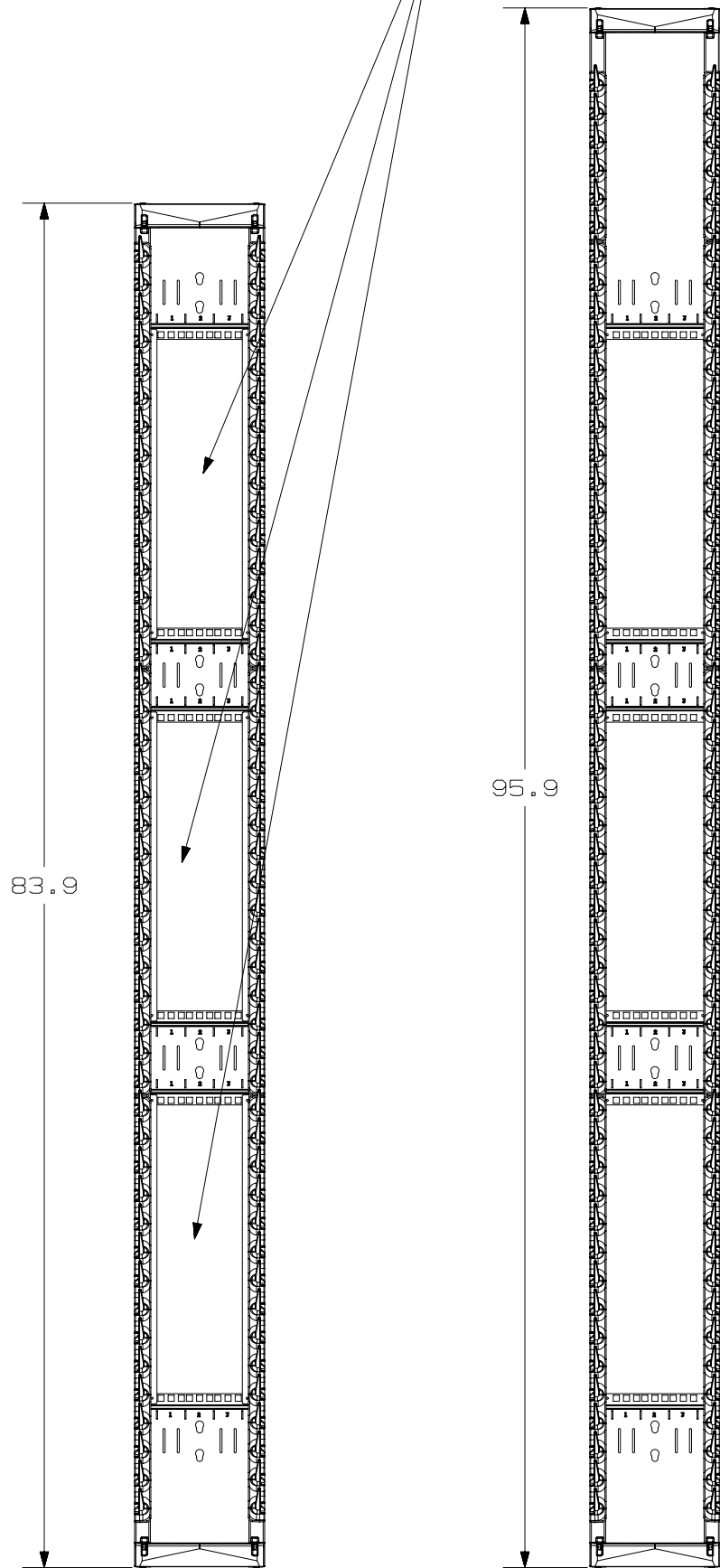
- NOTES:
- VISIT OUR ON-LINE CATALOG AT WWW.PANDUIT.COM FOR A LIST OF CURRENT PARTS APPLICABLE FOR USE WITH THIS PRODUCT.
 - DIMENSIONS IN [] ARE METRIC.
 - WEIGHT: SEE TABLE ON SHEET 3.
 - PART INCLUDES:
 - 1- PATCHRUNNER 2 HIGH CAPACITY MANAGER, FRONT AND REAR FINGERS
 - 2- PATCHRUNNER 2 DUAL HINGE DOOR, FOR VERTICAL CABLE MANAGER.
 - 1- HARDWARE KIT.
 - CAN BE USED WITH ANY 19 OR 23 INCH EIA STANDARD RACK.
 - ALL DIMENSIONS ARE REFERENCE ONLY.

PART NUMBER		PE2VD**, PE2VD**96	
TITLE		PATCHRUNNER 2 HIGH CAPACITY VERTICAL CABLE MANAGER, FRONT AND REAR FINGERS AND DOORS	
		CUSTOMER DRAWING	
ITEM REVISION NAME		17M062AI/01	
DATASET FILE NAME		17M062AI_DC/01A	
MATERIAL		STEEL, PLASTIC	
DRAWING NUMBER		17M062AI-DC	
DRAWN BY		DATE	CHK
T WV		8-2-18	RYB
SCALE		NONE	
SHEET 1 OF 3		B	

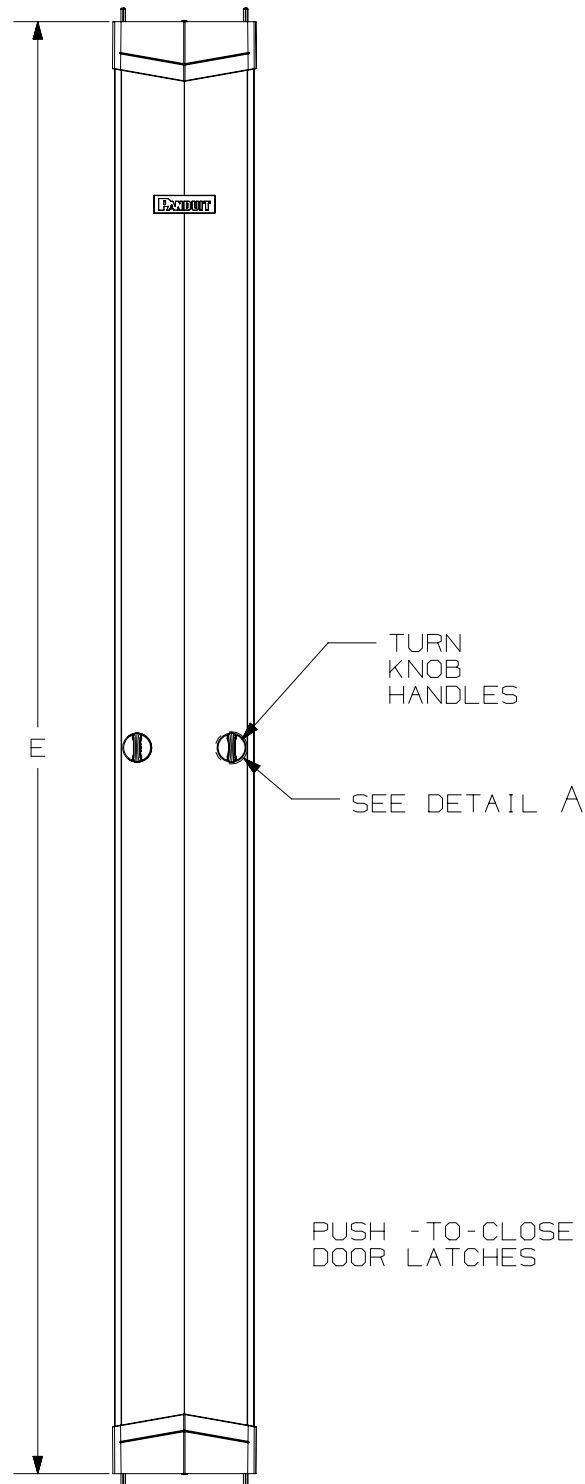
REV	DATE	BY	CHK	APR	DESCRIPTION	ECN
01A	8-2-18	T WV	RYB	JFK	INITIAL RELEASE	17M062AI-DC

B-SIZE CUSTOMER

(3) 19" EIA VERTICAL MOUNTING SECTIONS IN EACH MANAGER.
ACCEPTS PATCH PANELS AND OTHER 19" RACK MOUNT
ACCESSORIES TO FREE UP RU SPACE IN THE RACK



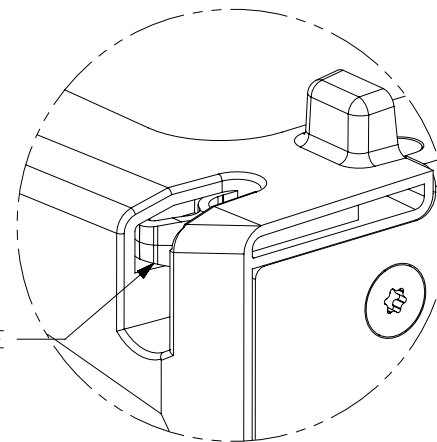
DETAIL A
SCALE 1:1



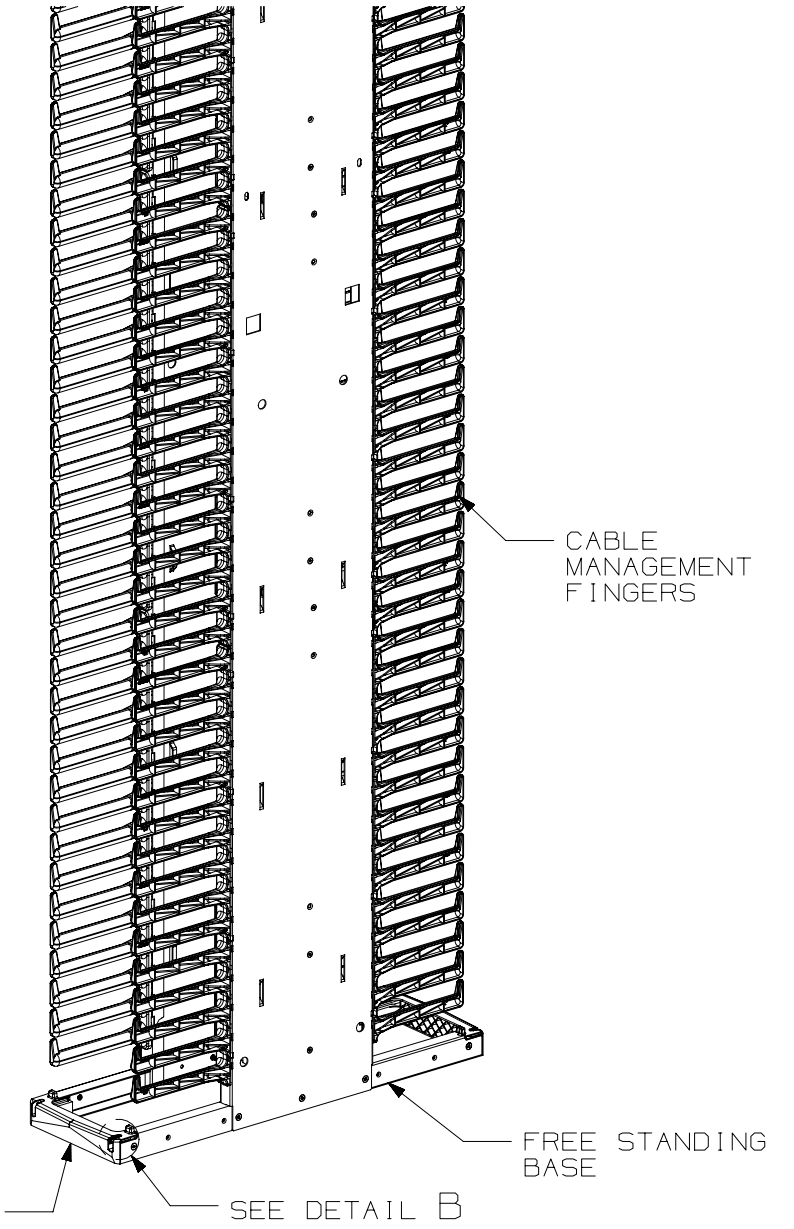
TURN
KNOB
HANDLES

SEE DETAIL A

PUSH - TO - CLOSE
DOOR LATCHES



DETAIL B
SCALE 1:1



CABLE
MANAGEMENT
FINGERS

FREE STANDING
BASE

DOOR SUPPORTS

SEE DETAIL B

PART NUMBER		PE2VD**, PE2VD**96	
TITLE		PATCHRUNNER 2 HIGH CAPACITY VERTICAL CABLE MANAGER, FRONT AND REAR FINGERS AND DOORS	
		CUSTOMER DRAWING	
ITEM REVISION NAME		17M062AI/01	
DATASET FILE NAME		17M062AI_DC/01A	
MATERIAL		STEEL, PLASTIC	
DRAWING NUMBER		17M062AI - DC	
DRAWN BY		DATE	CHK
T WV		8-2-18	RYB
SCALE		NONE	
SHEET 2 OF 3		B	

REV	DATE	BY	CHK	APR	DESCRIPTION	ECN
01A	8-2-18	TWV	RYB	JEFK	SEE SHEET ONE FOR REVISIONS	17M062AI-DC

B-SIZE CUSTOMER



THIS COPY IS PROVIDED ON A RESTRICTED BASIS AND IS NOT TO BE USED IN ANY WAY DETRIMENTAL TO THE INTERESTS OF PANDUIT CORP.

PART NO.	A=OVERALL WIDTH		B=OVERALL DEPTH		C=DOOR OPENING DEPTH		D- OVERALL HEIGHT		E=DOOR HEIGHT		VERTICAL RU SPACING RU	MANAGER AND DOORS FULLY UNPACKED WEIGHT	MANAGER AND DOORS SHIPPING WEIGHT
	INCHES	MM	INCHES	MM	INCHES	MM	INCHES	MM	INCHES	MM			
PE2VD06**	6.00	152.4	26.8	680.7	4.62	117.3	83.9	2131.1	80.8	2051.6	6	66.44 LBS EACH [30.1 KG EACH]	68.44 LBS EACH [31.0 KG EACH]
PE2VD08**	8.00	203.2			6.60	167.7					9	72.93 LBS EACH [33.1 KG EACH]	74.93 LBS EACH [34.0 KG EACH]
PE2VD10**	10.00	254.0			8.60	218.4					12	79.41 LBS EACH [36.0 KG EACH]	81.41 LBS EACH [36.9 KG EACH]
PE2VD12**	12.00	304.8			10.60	269.2					15	85.9 LBS EACH [39.0 KG EACH]	87.9 LBS EACH [39.9 KG EACH]
PE2VD0696**	6.00	152.4			95.9	2435.9	92.8	2356.4	6	72.1 LBS EACH [32.7 KG EACH]	74.1 LBS EACH [33.6 KG EACH]		
PE2VD0896**	8.00	203.2							6.60	167.7	9	79.4 LBS EACH [36.0 KG EACH]	81.4 LBS EACH [36.9 KG EACH]
PE2VD1096**	10.00	254.0							8.60	218.4	12	86.7 LBS EACH [31.16 KG EACH]	88.7 LBS EACH [40.2 KG EACH]
PE2VD1296**	12.00	304.8							10.60	269.2	15	94.00 LBS EACH [42.6 KG EACH]	96.0 LBS EACH [43.5 KG EACH]

**DENOTES COLOR
 NONE=BLACK
 WH=WHITE

PART NUMBER		PE2VD**, PE2VD**96	
TITLE		PATCHRUNNER 2 HIGH CAPACITY VERTICAL CABLE MANAGER, FRONT AND REAR FINGERS AND DOORS	
		CUSTOMER DRAWING	
ITEM REVISION NAME	17M062AI/01		
DATASET FILE NAME	17M062AI_DC/01A		
			THIRD ANGLE PROJECTION
MATERIAL	STEEL, PLASTIC	DRAWING NUMBER	
		17M062AI-DC	
DRAWN BY	DATE	CHK	SCALE
TWV	8-2-18	RYB	NONE
REV		DATE	BY
01A		8-2-18	TWV
DESCRIPTION		CHK	APR
SEE SHEET ONE FOR REVISIONS		ECN	
		17M062AI-DC	
SHEET 3 OF 3		SIZE	
		B	



B

B

A

A

B-SIZE CUSTOMER