

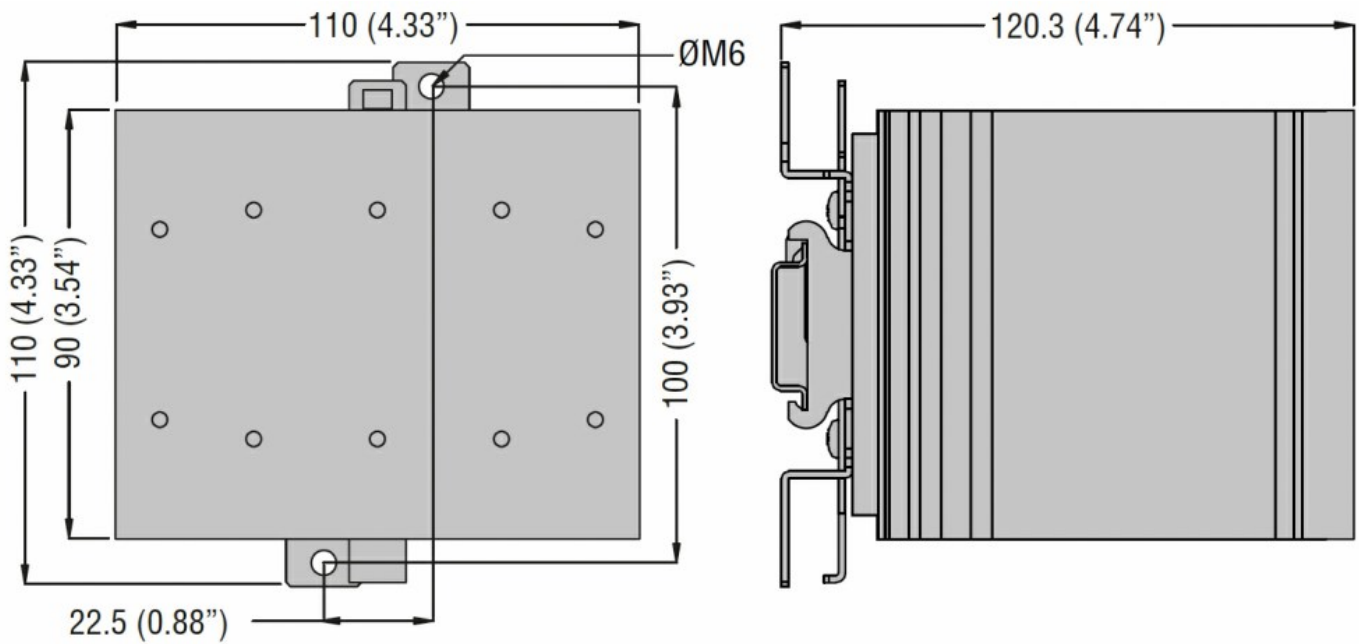


Product designation

Product type designation

Solid state relay -  
Accessories  
HSBX

**Dimensions**



**Certifications and compliance**

Certifications

- IEC/EN/BS 60947-4-2
- IEC/EN/BS 60947-4-3
- IEC/EN/BS 62314
- IEC/EN/BS 6335-1

**ETIM classification**

EC000066 - Power contactor, AC switching