



**MITSUBISHI
ELECTRIC**

REFRIGERANT
R32/R410A

FLOOR TYPE AIR CONDITIONERS

MFZ-KT25VG

MFZ-KT35VG

MFZ-KT50VG

MFZ-KT60VG

Note:

These models can be connected to the multi units, except for KT60.

INSTALLATION MANUAL

For INSTALLER

INSTALLATIONSANLEITUNG

Für den INSTALLATEUR

NOTICE D'INSTALLATION

Pour L'INSTALLATEUR

INSTALLATIEHANDLEIDING

Voor de INSTALLATEUR

MANUAL DE INSTALACIÓN

Para el INSTALADOR

MANUALE PER L'INSTALLAZIONE

Per il TECNICO INSTALLATORE

ΕΓΧΕΙΡΙΔΙΟ ΕΓΚΑΤΑΣΤΑΣΗΣ

Για τον ΤΕΧΝΙΚΟ

MANUAL DE INSTALAÇÃO

Para o INSTALADOR

INSTALLATIONSHÅNDBOG

Til INSTALLATØREN

INSTALLATIONSANVISNING

För INSTALLATÖR

РЪКОВОДСТВО ЗА МОНТАЖ

За ИНСТАЛАТОРА

INSTRUKCJA MONTAŻU

Dla INSTALATORA

INSTALLASJONSHÅNDBOK

For INSTALLATØR

ASENNUSOPAS

ASENTAJALLE

INSTALAČNÍ PŘÍRUČKA

Pro MONTÁŽNÍ PRACOVNÍKY

NÁVOD NA INŠTALÁCIU

Pre MONTÉRA

TELEPÍTÉSI KÉZIKÖNYV

A TELEPÍTŐ RÉSZÉRE

NAMESTITVENI PRIROČNIK

Za MONTERJA

MANUAL DE INSTALARE

Pentru INSTALATOR

PAIGALDUSJUHEND

PAIGALDAJALE

MONTÁŽAS ROKASGRĀMATA

UZSTĀDĪŠANAS SPECIĀLISTAM

MONTAVIMO VADOVAS

Skirta MONTUOTOJUI

PRIRUČNIK ZA POSTAVLJANJE

Za INSTALATERA

UPUTSTVO ZA UGRADNJU

Za MONTERA

English

Deutsch

Français

Nederlands

Español

Italiano

Ελληνικά

Português

Dansk

Svenska

Български

Polski

Norsk

Suomi

Čeština

Slovenčina

Magyar

Slovenščina

Română

Eesti

Latviski

Lietuviškai

Hrvatski

Srpski

CONTENTS

1. BEFORE INSTALLATION.....	1
2. INDOOR UNIT INSTALLATION.....	4
3. FLARE CONNECTION, PIPE CONNECTION.....	8
4. TEST RUN.....	8
5. PUMPING DOWN.....	9





Model names are indicated in 1-3.

This installation manual describes only for the indoor unit. Refer to the outdoor unit installation manual to set up outdoor units.

Required Tools for Installation

Phillips screwdriver	Flare tool for R32, R410A
Level	Gauge manifold for R32, R410A
Scale	Vacuum pump for R32, R410A
Utility knife or scissors	Charge hose for R32, R410A
75 mm hole saw	Pipe cutter with reamer
Torque wrench	Water bottle
Wrench (or spanner)	0.9 to 1.0 L water

1. BEFORE INSTALLATION**MEANINGS OF SYMBOLS DISPLAYED ON INDOOR UNIT AND/OR OUTDOOR UNIT**

	WARNING (Risk of fire)	This unit uses a flammable refrigerant. If refrigerant leaks and comes in contact with fire or heating part, it will create harmful gas and there is risk of fire.
		Read the OPERATING INSTRUCTIONS carefully before operation.
		Service personnel are required to carefully read the OPERATING INSTRUCTIONS and INSTALLATION MANUAL before operation.
		Further information is available in the OPERATING INSTRUCTIONS, INSTALLATION MANUAL, and the like.

1-1. THE FOLLOWING SHOULD ALWAYS BE OBSERVED FOR SAFETY

- Be sure to read "THE FOLLOWING SHOULD ALWAYS BE OBSERVED FOR SAFETY" before installing the air conditioner.
- Be sure to observe the warnings and cautions specified here as they include important items related to safety.
- After reading this manual, be sure to keep it together with the OPERATING INSTRUCTIONS for future reference.

⚠ WARNING (Could lead to death, serious injury, etc.)

- **Do not install the unit by yourself (user).**
Incomplete installation could cause fire or electric shock, injury due to the unit falling, or leakage of water. Consult the dealer from whom you purchased the unit or a qualified installer.
- **Perform the installation securely referring to the installation manual.**
Incomplete installation could cause fire or electric shock, injury due to the unit falling, or leakage of water.
- **When installing the unit, use appropriate protective equipment and tools for safety.**
Failure to do so could cause injury.
- **Install the unit securely in a place which can bear the weight of the unit.**
If the installation location cannot bear the weight of the unit, the unit could fall causing injury.
- **Electrical work should be performed by a qualified, experienced electrician, according to the installation manual. Be sure to use an exclusive circuit. Do not connect other electrical appliances to the circuit.**
If the capacity of the power circuit is insufficient or there is incomplete electrical work, it could result in a fire or an electric shock.
- **Earth the unit correctly.**
Do not connect the earth to a gas pipe, water pipe, lightning rod or telephone earth. Defective earthing could cause electric shock.
- **Do not damage the wires by applying excessive pressure with parts or screws.**
Damaged wires could cause fire or electric shock.
- **Be sure to cut off the main power in case of setting up the indoor P.C. board or wiring works.**
Failure to do so could cause electric shock.
- **Use the specified wires to connect the indoor and outdoor units securely and attach the wires firmly to the terminal block connecting sections so the stress of the wires is not applied to the sections. Do not extend the wires, or use intermediate connection.**
Incomplete connecting and securing could cause fire.
- **Do not install the unit in a place where flammable gas may leak.**
If gas leaks and accumulates in the area around the unit, it could cause an explosion.
- **Do not use intermediate connection of the power cord or the extension cord and do not connect many devices to one AC outlet.**
It could cause a fire or an electric shock due to defective contact, defective insulation, exceeding the permissible current, etc.
- **Be sure to use the parts provided or specified parts for the installation work.**
The use of defective parts could cause an injury or leakage of water due to a fire, an electric shock, the unit falling, etc.
- **When plugging the power supply plug into the outlet, make sure that there is no dust, clogging, or loose parts in both the outlet and the plug. Make sure that the power supply plug is pushed completely into the outlet.**
If there is dust, clogging, or loose parts on the power supply plug or the outlet, it could cause electric shock or fire. If loose parts are found on the power supply plug, replace it.
- **Attach the electrical cover to the indoor unit and the service panel to the outdoor unit securely.**
If the electrical cover of the indoor unit and/or the service panel of the outdoor unit are not attached securely, it could result in a fire or an electric shock due to dust, water, etc.
- **When installing, relocating, or servicing the unit, make sure that no substance other than the specified refrigerant (R32/R410A) enters the refrigerant circuit.**
Any presence of foreign substance such as air can cause abnormal pressure rise and may result in explosion or injury. The use of any refrigerant other than that specified for the system will cause mechanical failure, system malfunction, or unit breakdown. In the worst case, this could lead to a serious impediment to securing product safety.
- **Do not alter the unit.**
It may cause fire, electric shock, injury or water leakage.
- **Do not discharge the refrigerant into the atmosphere. If refrigerant leaks during installation, ventilate the room. Check that the refrigerant does not leak after installation has been completed.**
If refrigerant leaks and comes in contact with fire or heating part of such a fan heater, kerosene heater, or cooking stove, it will create harmful gas. Provide ventilation in accordance with EN378-1.
- **Use appropriate tools and piping materials for installation.**
The pressure of R32/R410A is 1.6 times more than R22. Not using appropriate tools or materials and incomplete installation could cause the pipes to burst or injury.
- **When the refrigeration circuit has a leak, do not execute pump down with the compressor. When pumping down the refrigerant, stop the compressor before disconnecting the refrigerant pipes.**
If the refrigerant pipes are disconnected while the compressor is running and the stop valve is open, air could be drawn in and the pressure in the refrigeration cycle could become abnormally high. This could cause the pipes to burst or injury.
- **Install an earth leakage breaker depending on the installation place.**
If an earth leakage breaker is not installed, it could cause electric shock.
- **When installing the unit, securely connect the refrigerant pipes before starting the compressor.**
If the compressor is started before the refrigerant pipes are connected and when the stop valve is open, air could be drawn in and the pressure in the refrigeration cycle could become abnormally high. This could cause the pipes to burst or injury.
- **Fasten a flare nut with a torque wrench as specified in this manual.**
If fastened too tight, a flare nut may break after a long period and cause refrigerant leakage.
- **The unit shall be installed in accordance with national wiring regulations.**
- **When using a gas burner or other flame-producing equipment, completely remove all of the refrigerant from the air conditioner and ensure that the area is well-ventilated.**
If the refrigerant leaks and comes in contact in fire or heating part, it will create harmful gas and there is risk of fire.
- **Do not use means to accelerate the defrosting process or to clean, other than those recommended by the manufacturer.**
- **The appliance shall be stored in a room without continuously operating ignition sources (for example: open flames, an operating gas appliance or an operating electric heater).**
- **Do not pierce or burn.**
- **Be aware that refrigerants may not contain an odour.**
- **Pipe-work shall be protected from physical damage.**
- **The installation of pipe-work shall be kept to a minimum.**
- **Compliance with national gas regulations shall be observed.**
- **Keep any required ventilation openings clear of obstruction.**
- **Keep gas-burning appliances, electric heaters, and other fire sources (ignition sources) away from the location where installation, repair, and other air conditioner work will be performed.**
- **The appliance shall be stored in a well-ventilated area where the room size corresponds to the room area as specified for operation.**
- **Do not turn the breaker OFF except the case of burning smell, or when performing maintenance or inspection.**
The power cannot be supplied to the refrigerant sensor mounted in the indoor unit, and the sensor cannot detect the refrigerant leakage. This may cause a fire.
- **Fix the connecting cable at the prescribed position securely.**
Incorrect installation may cause electric shock, fire, and/or malfunction.

⚠ CAUTION (Could lead to serious injury in particular environments when operated incorrectly.)

- **Perform the drainage/piping work securely according to the installation manual.**
If there is defect in the drainage/piping work, water could drop from the unit, soaking and damaging household goods.
- **Do not touch the air inlet or the aluminum fins of the outdoor unit.**
This could cause injury.
- **Please wear protective equipment when you touch the base of the outdoor unit.**
It could cause injury if you do not wear the protective equipment.
- **Do not install the outdoor unit where small animals may live.**
If small animals enter and touch the electric parts inside the unit, it could cause a malfunction, smoke emission, or fire. Also, advise user to keep the area around the unit clean.
- **Do not operate the air conditioner during interior construction and finishing work, or while waxing the floor.**
Before operating the air conditioner, ventilate the room well after such work is performed. Otherwise, it may cause volatile elements to adhere inside the air conditioner, resulting in water leakage or scattering of dew.
- **Do not install the unit in a place where smoke, gas, or chemicals may fill.**
The refrigerant sensor mounted in the indoor unit may react to it, and display an error of refrigerant leakage.
- **Be careful of the fan rotation when the breaker is ON.**
When the refrigerant sensor detects the refrigerant leakage, the fan starts rotating automatically. This may cause injury.
- **When using any aerosol sprays for interior construction, finishing work, or sealing a wall hole, turn off the breaker and ventilate the room well. The refrigerant sensor may react to the gas in the sprays, and it may cause misdetection.**

1-2. SELECTING THE INSTALLATION LOCATION

This manual only describes the installation of indoor unit.
When installing the outdoor unit, refer to the installation manual of outdoor unit.

INDOOR UNIT

⚠ ⚠ WARNING

This unit should be installed in rooms which exceed the floor space specified in outdoor unit installation manual.

- Refer to outdoor unit installation manual.

Following conditions should be satisfied when installing indoor units:

- Where airflow is not blocked.
- Where cool (or warm) air spreads over the entire room.
- Rigid wall without vibration.
- Where it is not exposed to direct sunshine. Do not expose to direct sunshine also during the period following unpacking to before use.
- Where easily drained.
- At a distance 1 m or more away from your TV and radio. Operation of the air conditioner may interfere with radio or TV reception. An amplifier may be required for the affected device.
- In a place as far away as possible from fluorescent and incandescent lights. In order to make the infrared remote control operate the air conditioner normally. The heat from the lights may cause deformation or the ultraviolet may cause deterioration.
- Where the air filter can be removed and replaced easily.
- Where it is away from the other heat or steam source.
- Do not install the unit in the environment where any gas equipment for propane, butane or methane, sprays such as bug killer, equipment which generates smoke, paint etc., and chemicals are used, or in the place where sulfur-based gas is generated.
- The refrigerant sensor mounted in the indoor unit may react to them, and display an error of refrigerant leakage. This may cause the unit not to operate.

REMOTE CONTROLLER

Followings are preferable conditions to store a remote controller:

- Where it is easy to operate and easily visible.
- Where children cannot touch it.
- Select a position about 1.2 m above the floor and check that signals from the remote controller are surely received by the indoor unit from that position ('beep' or 'beep beep' receiving tone sounds).

Note:

In rooms where inverter type fluorescent lamps are used, the signal from the wireless remote controller may not be received.

Note:

Avoid the following places for installation where air conditioner trouble is liable to occur.

- Where flammable gas could leak.
- Where there is much machine oil.
- Where oil is splashed or where the area is filled with oily smoke (such as cooking areas and factories, in which the properties of plastic could be changed and damaged).
- Salty places such as the seaside.
- Where sulfide gas is generated such as hot spring, sewage, waste water.
- Where there is high-frequency or wireless equipment.
- Where there is emission of high levels of VOCs, including phthalate compounds, formaldehyde, etc., which may cause chemical cracking.
- The appliance shall be stored so as to prevent mechanical damage from occurring.

If connecting to the outdoor unit that uses R32 refrigerant, install the indoor unit in a room with a floor area of Amin or more, corresponding to refrigerant M (factory-charged refrigerant + locally add refrigerant). For refrigerant quantity and additional refrigerant charge, refer to the outdoor unit.

M [kg]	Amin [m ²]
1.00	No requirements
1.10	
1.20	
1.30	
1.40	
1.50	
1.60	
1.70	
1.80	
1.84	
1.90	3.63
2.00	3.75
2.10	3.95
2.20	4.15
2.30	4.34
2.40	4.54
	4.74

Refer to the installation manual of outdoor unit for refrigerant charge.

1-3. SPECIFICATIONS

Model	Power supply *1		Wire specifications *2	Pipe size (thickness *3, *4, *5, *6)		Insulation thickness *7,*8
	Rated Voltage	Frequency	Indoor/outdoor connecting wire	Gas	Liquid	
MFZ-KT25VG	230 V	50 Hz	4-core 2.0 mm ²	ø9.52 mm (0.8 mm)	ø6.35 mm (0.8 mm)	14 mm
MFZ-KT35VG				ø12.7 mm (0.8 mm)		
MFZ-KT50VG				ø15.88 mm (0.8 mm)		
MFZ-KT60VG						

*1 Connect to the power switch which has a gap of 3 mm or more when open to interrupt the source power phase. (When the power switch is shut off, it must interrupt all phases.)

*2 Use wires in conformity with design 60245 IEC 57.

*3 Never use pipes with thickness less than specified. The pressure resistance will be insufficient.

*4 Use a copper pipe or a copper-alloy seamless pipe.

*5 Be careful not to crush or bend the pipe during pipe bending.

*6 Refrigerant pipe bending radius must be 100 mm or more.

*7 Insulation material : Heat resisting foam plastic 0.045 specific gravity

*8 Be sure to use the insulation of specified thickness. Excessive thickness may cause incorrect installation of the indoor unit and insufficient thickness may cause dew drippage.

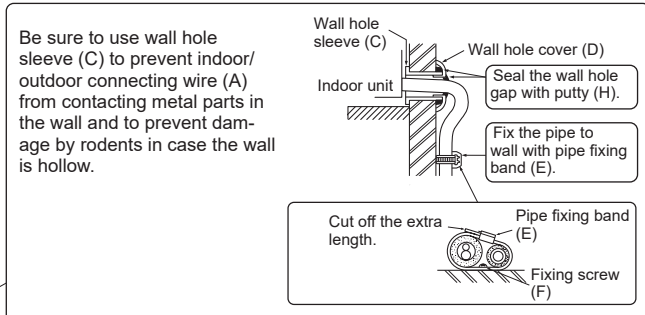
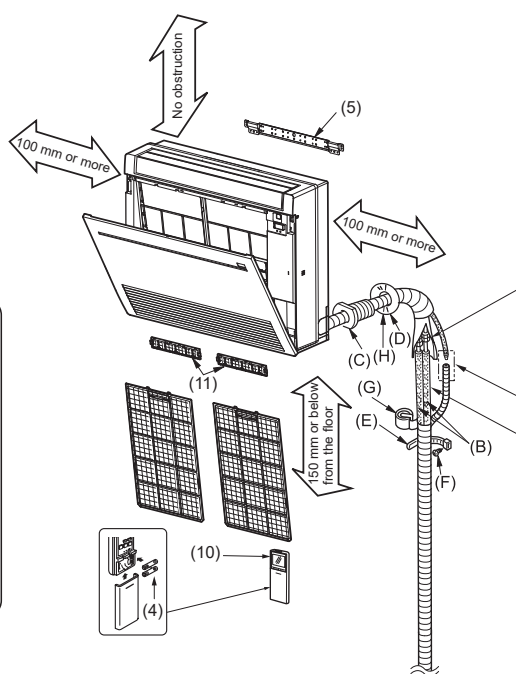
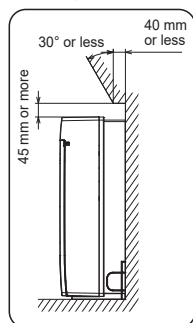
1-4. INSTALLATION DIAGRAM

When installing outdoor units, refer to the outdoor unit installation manual.

The piping specification table does not provide a minimum line set length. However, indoor units with connected piping length less than 3 m could produce intermittent noise during normal system operation in very quiet environments. Please be aware of this important information when installing and locating the indoor unit within the conditioned space.

EN

Obstacles above
It's possible to install an obstacle to the following area.



After the leak test, apply insulating material tightly so that there is no gap.

Cover the connection part with tape to prevent water from leaking.

When the piping is to be attached to a wall containing metals (tin plated) or metal netting, use a chemically treated wooden piece 20 mm or thicker between the wall and the piping or wrap of insulation vinyl tape around the piping.
To use existing piping, perform COOL operation for 30 minutes and pump down before removing the old air conditioner. Remake flare according to the dimension for new refrigerant.

⚠️ ⚠️ WARNING
To avoid risk of fire, embed or protect the refrigerant piping. External damage on the refrigerant piping can be cause of fire.

Units should be installed by licensed contractor according to local code requirements.

ACCESSORIES

Check the following parts before installation.

(1) Drain hose*	1
(2) Pipe cover	1
(3) Band	2
(4) Battery (AAA) for (10)	2
(5) Indoor unit mounting bracket	1
(6) Fixing screw for (5) 4 × 25 mm	5
(7) Wood screw for indoor unit fixation	4
(8) Washer of (7)	4
(9) Felt tape (For left or left-rear piping)	1
(10) Wireless remote controller	1
(11) Air cleaning filter	2
(12) Joint pipe (KT60 only)	1
(13) Pipe cover for joint pipe (KT60 only)	1
(14) Breaker tag	1
(15) Breaker notice	1

* Note:

The Drain hose is connected to the unit.

PARTS TO BE PROVIDED AT YOUR SITE

(A) Indoor/outdoor unit connecting wire*	1
(B) Extension pipe	1
(C) Wall hole sleeve	1
(D) Wall hole cover	1
(E) Pipe fixing band	2 to 5
(F) Fixing screw for (E) 4 × 20 mm	2 to 5
(G) Piping tape	1
(H) Putty	1
(J) Drain hose (or soft PVC hose, 15 mm inner dia. or hard PVC pipe VP16)	1 or 2
(K) Power supply cord*	1
(L) Band (Wi-Fi interface connection only)	2

* Note:

Place indoor/outdoor unit connecting wire (A) and power supply cord (K) at least 1 m away from the TV antenna wire.

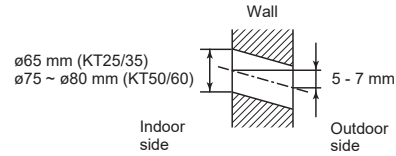
2. INDOOR UNIT INSTALLATION

2-1. FIXING OF INDOOR UNIT MOUNTING BRACKET

- Do not install the indoor unit at a place higher than 150 mm.
- Find a structural material (such as a stud) in the wall and fix bracket (5) horizontally with fixing screws (6).
- To prevent bracket (5) from vibrating, be sure to install the fixing screws in the holes indicated in the illustration. For added support, fixing screws may also be installed in other holes.

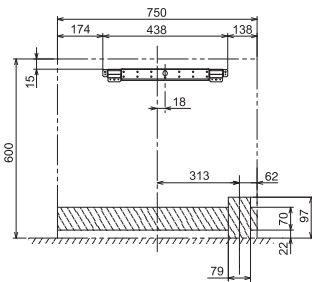
2-2. HOLE DRILLING

- 1) Determine the wall hole position.
- 2) Drill a dia. 65 mm hole (dia. 75 ~ 80 mm for KT50/60). The outdoor side should be 5 to 7 mm lower than the indoor side.
- 3) Insert wall hole sleeve (C).

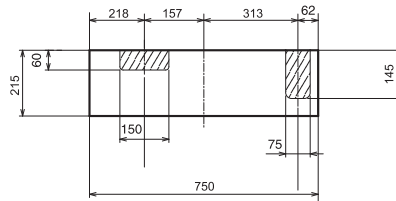


HOLE POSITIONS

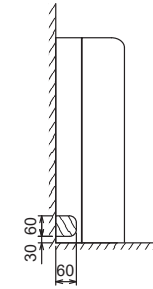
FOR REAR OR LEFT-REAR PIPING
(The following figure is a front view of the indoor unit installation location.)



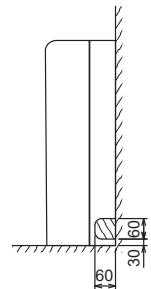
FOR RIGHT DOWNWARD OR LEFT DOWNWARD PIPING
(The following figure is a view of the bottom of the indoor unit from above.)



FOR LEFT PIPING



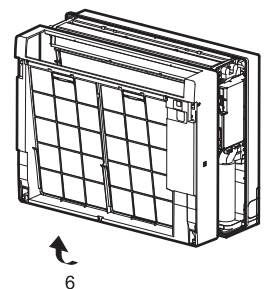
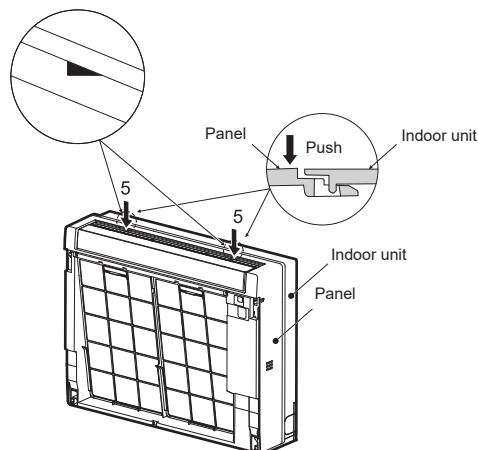
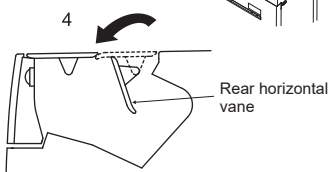
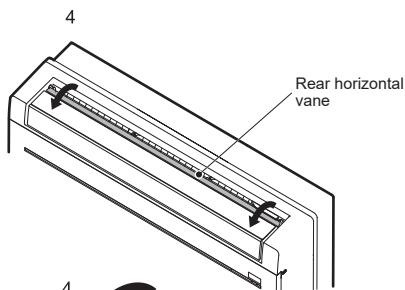
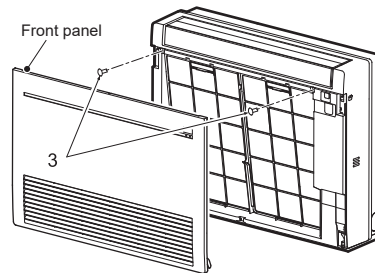
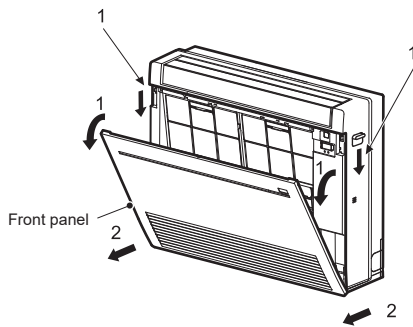
FOR RIGHT PIPING



2-3. INDOOR UNIT PREPARATION

Remove the front panel of the indoor unit.

- 1) Push down the tab on the both sides of the unit to open the front panel.
- 2) Pull the front panel toward you to remove it.
- 3) Remove the 2 screws.
- 4) Open the rear horizontal vane.
- 5) Push the 2 locations on the top of the panel, and then pull the upper part of the panel toward you.
- 6) Remove the panel while lifting it up (slightly).



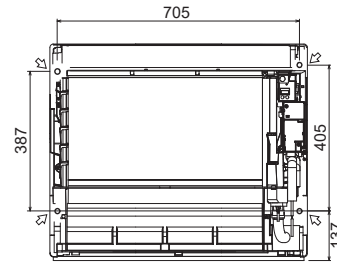
2-4. INDOOR UNIT INSTALLATION

2-4-1. INSTALLING THE INDOOR UNIT ON THE FLOOR

- 1) Place the indoor unit on the flat floor.
- 2) Fix the indoor unit at 4 points with the included wood screws (7) and washers (8). Tighten the screws securely.

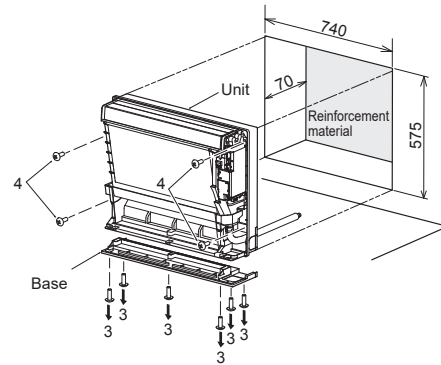
2-4-2. MOUNTING THE INDOOR UNIT ON THE WALL

- 1) Hook the top of the indoor unit on the indoor unit mounting bracket (5).
- 2) Fix the indoor unit at 4 points with the included wood screws (7) and washers (8). Tighten the screws securely.



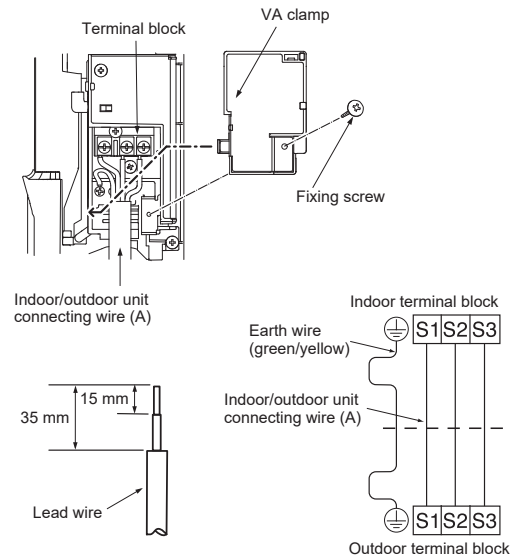
2-4-3. EMBEDDING THE INDOOR UNIT IN A WALL

- 1) Make a hole in the wall.
- 2) Using reinforcement material, adjust the depth.
- 3) Remove 6 screws that fix the base to the unit. Remove the base from the unit.
- 4) Fix the indoor unit at 4 points with the included wood screws (7) and washers (8). Tighten the screws securely.



2-5. CONNECTING WIRES FOR INDOOR UNIT

- 1) Remove VA clamp.
- 2) Pass indoor/outdoor unit connecting wire (A) from the back of the indoor unit and process the end of the wire.
- 3) Loosen terminal screw, and connect first the earth wire, then indoor/outdoor unit connecting wire (A) to the terminal block. Be careful not to make mis-wiring. Fix the wire to the terminal block securely so that no part of its core is appeared, and no external force is conveyed to the connecting section of the terminal block.
- 4) Firmly tighten the terminal screws to prevent them from loosening. After tightening, pull the wires lightly to confirm that they do not move.
- 5) Secure indoor/outdoor unit connecting wire (A) and the earth wire with the VA clamp. Never fail to hook the left claw of the VA clamp. Attach the VA clamp securely.



- Make earth wire a little longer than others. (More than 45 mm)
- For future servicing, give extra length to the connecting wires.
- Do not fold the excess wire, or cram it into small space. Take caution not to damage the wires.
- Be sure to attach each screw to its correspondent terminal when securing the cord and/or the wire to the terminal block.

⚠ WARNING

When installing the unit, securely connect the refrigerant pipes before starting the compressor.

2-6. PIPE FORMING AND INSTALLATION

Note: Refer to 3. FLARE CONNECTION, PIPE CONNECTION.

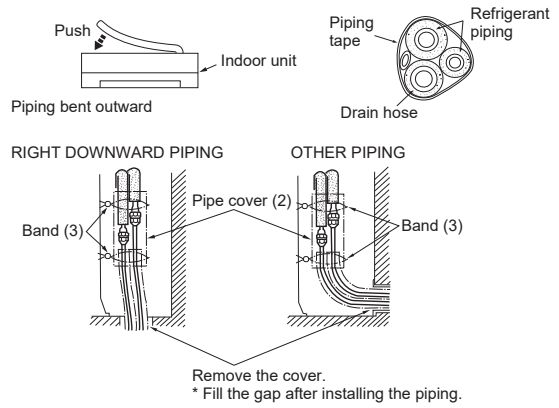
Pipe Forming

- Route the drain hose diagonally below the connecting pipes.
- Make sure that the drain hose is not routed upward and that there are no waves in the hose.
- Do not pull the hose when applying the tape.
- Route the piping so that it does not project past the rear of the indoor unit. (Refer to the figure to the right.)

Connecting Pipe Installation

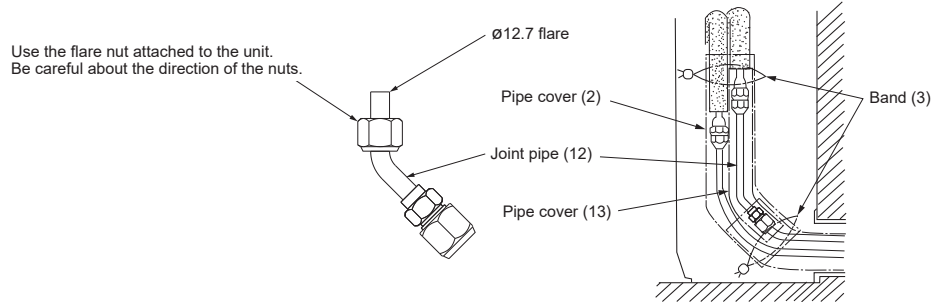
- Install the connecting pipes so that the piping can move slightly to the front, back, left, and right.
- When the cover is removed, be sure to cover the pipes so that no piping is exposed to the room after installing the piping.
- Fill the gap after installing the piping.

- Be sure to insulate the connecting pipes so that they do not contact the panel.
- Be careful not to crush the connecting pipes when bending them.



For MFZ-KT60

- Be sure to use the joint pipe (12), otherwise the extension pipe of $\phi 15.88$ cannot be fixed.
- Flare the joint pipe (12) to $\phi 12.7$, and attach the pipe cover (13).



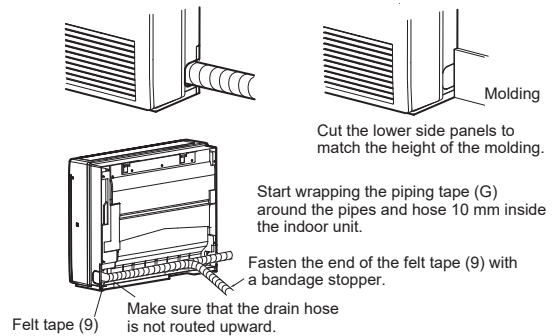
FOR LEFT OR LEFT-REAR PIPING

Bundle the connecting pipes and drain hose together, and then wrap them in felt tape (9).

Cut and use the lower side panels on the left and right sides of the indoor unit as shown below. Smooth the cut edges of the side panels so that they will not damage the insulation coating.

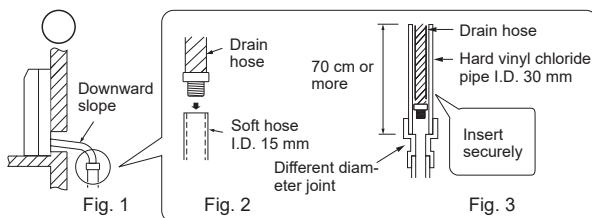
- For left or right piping
- Installing flush against a wall with molding

Wrap the felt tape (9) tightly around the pipes and hose starting near where the pipes and hose are routed from the indoor unit. (The overlap width of the felt tape (9) should not be more than 1/2 of the tape width.)

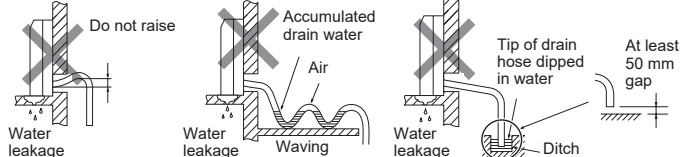


2-7. DRAIN PIPING

- If the extension drain hose has to pass through a room, be sure to wrap it with commercially sold insulation.
- The drain hose should point downward for easy drain flow. (Fig. 1)
- If the drain hose provided with the indoor unit is too short, connect it with drain hose (J) that should be provided at your site. (Fig. 2)
- Use tape or some other material to seal the connection between the product's drain hose and extension drain hose (16 mm inner diameter) (J).
- When connecting the drain hose to the hard vinyl chloride pipe, be sure to insert it securely into the pipe. (Fig. 3)

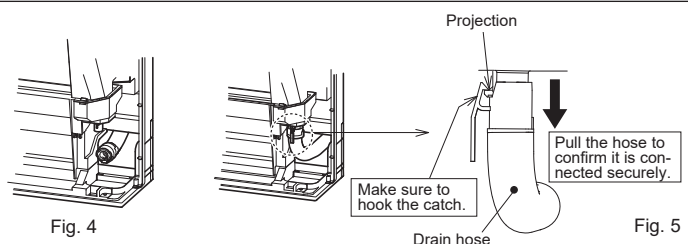


Do not make drain piping as shown below.



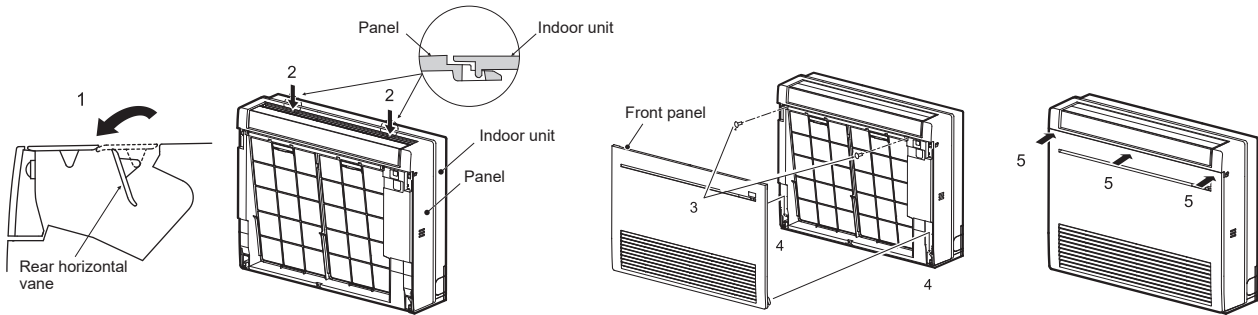
The Drain hose is removed at installation.

- When routing the drain piping, make sure that the drain hose (1) is routed as shown. (Fig. 4)
- Insert the drain hose all the way to the base of the drain pan (end connection). (Fig. 5)
- Make sure that the catch of the drain hose is securely hooked onto the projection on the hose fitting of the drain pan.
- After connecting the drain hose, be sure to pull the hose to confirm that it is connected securely.



2-8. FRONT PANEL INSTALLATION

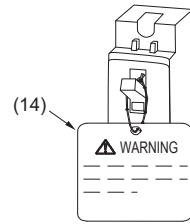
- 1) Open the rear horizontal vane.
- 2) Attach the panel. Make sure that the catches are engaged.
- 3) Fix the panel with screws.
- 4) Insert the bottom part of the front panel.
- 5) Push 3 places on the upper part of the front panel to close it.



2-9. HOW TO ATTACH THE LABEL AND THE EXPLANATION

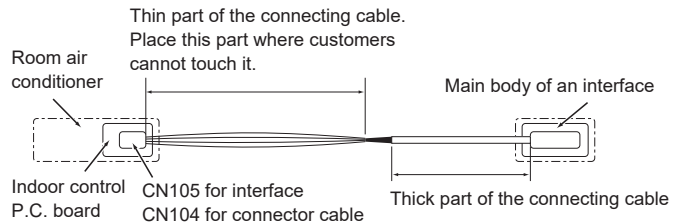
The breaker must be always ON except when performing maintenance or inspection. Hang the accompanying label (14) or (15) on the breaker, and explain it to customers. When turning the breaker OFF, the power is not supplied to the refrigerant sensor mounted in the indoor unit, and the refrigerant leakage cannot be detected.

Note: When the wiring is separate indoor unit/outdoor unit power supplies, hang the accompanying label (14) or (15) on the breaker of indoor unit side, and explain it to customers.



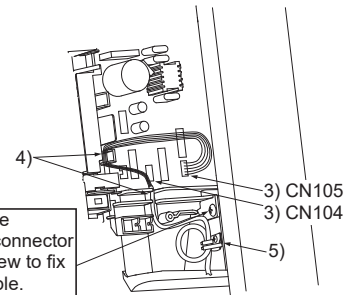
2-10. CONNECTING AN INTERFACE (option)/CONNECTOR CABLE (option) TO THE AIR CONDITIONER

- Connect an interface/connector cable to the indoor control P.C. board of an air conditioner with a connecting cable.
- Cutting or extending the connecting cable of the interface/connector cable results in defects in connecting. Do not bundle the connecting cable together with power supply cord, indoor/outdoor connecting wire, and/or earth wire. Keep as much distance as possible between the connecting cable and those wires.
- The thin part of the connecting cable should be stored and placed where customers cannot touch it.



- 1) Remove the panel.
- 2) Open the cover of the indoor control P.C. board.
- 3) Join the connecting cable to CN105 and/or CN104 on the indoor control P.C. board.
- 4) Route the connecting cable through this point in the figure.
- 5) Attach the cable clamp provided with interface/connector cable to the thick part of the connecting cable with a screw 4 × 16 as shown in the figure.
- 6) Close the cover of the indoor control P.C. board. Be careful not to catch the thin part of the connecting cable in the cover. Reinstall the panel.

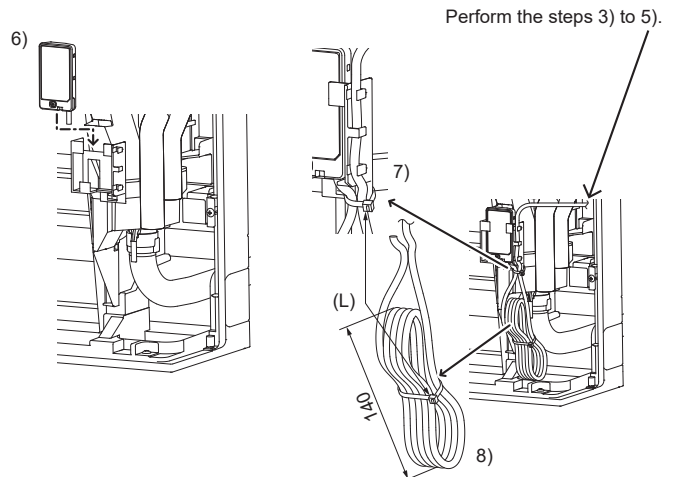
When mounting the interface and the connector cable, use this screw to fix the connecting cable.



Note:

When connecting the Wi-Fi interface (option) Install the interface in the holder as shown in the figure. Adjust the length of the cable, and bundle it as shown in the figure.

- 1) Remove the panel.
- 2) Open the cover of the indoor control P.C. board.
- 3) Joint the connecting cable to CN105 on the indoor control P.C. board.
- 4) Route the connecting cable through this point in the figure.
- 5) Attach the cable clamp provided with interface/connector cable to the thick part of the connecting cable with a screw 4 × 16 as shown in the figure.
- 6) Set the Wi-Fi interface in the holder.
- 7) Set the connecting cable in the holder, then fix it with the band (L).
- 8) Bundle the excess cable with the band (L). The rolled part should be about 140 mm.
- 9) Close the cover of the indoor control P.C. board. Be careful not to catch the thin part of the connecting cable in the cover. Reinstall the panel.



WARNING

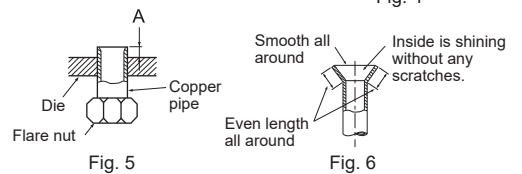
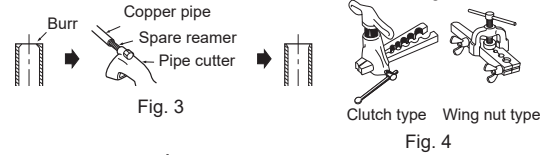
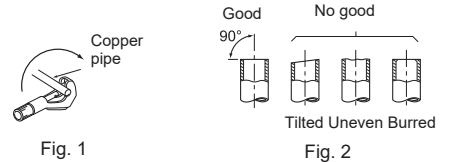
Fix the connecting cable at the prescribed position securely. Incorrect installation may cause electric shock, fire, and/or malfunction.

3. FLARE CONNECTION, PIPE CONNECTION

3-1. FLARING WORK

- Cut the copper pipe correctly with pipe cutter. (Fig. 1, 2)
- Completely remove all burrs from the cut cross section of pipe. (Fig. 3)
 - Put the end of the copper pipe to downward direction as you remove burrs in order to avoid to let burrs drop in the piping.
- Remove flare nuts attached to indoor and outdoor units, then put them on pipe having completed burr removal. (Not possible to put them on after flaring work.)
- Flaring work (Fig. 4, 5). Firmly hold copper pipe in the dimension shown in the table. Select A mm from the table according to the tool you use.
- Check
 - Compare the flared work with Fig. 6.
 - If flare is noted to be defective, cut off the flared section and do flaring work again.

Pipe diameter (mm)	Nut (mm)	A (mm)			Tightening torque	
		Clutch type tool for R32, R410A	Clutch type tool for R22	Wing nut type tool for R22	N·m	kgf·cm
ø6.35 (1/4")	17	0 to 0.5	1.0 to 1.5	1.5 to 2.0	14 to 18	140 to 180
ø9.52 (3/8")	22			2.0 to 2.5	34 to 42	340 to 420
ø12.7 (1/2")	26			-	49 to 61	490 to 610
ø15.88 (5/8")	29			-	68 to 82	680 to 820

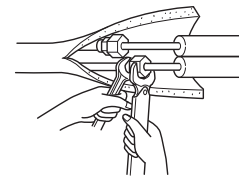


3-2. PIPE CONNECTION

- Fasten flare nut with a torque wrench as specified in the table.
- When fastened too tight, flare nut may break after a long period and cause refrigerant leakage.
- Be sure to wrap insulation around the piping. Direct contact with the bare piping may result in burns or frostbite.

Indoor unit connection

- Connect both liquid and gas pipings to indoor unit.
- Do not apply refrigeration oil on screw threads. Excessive tightening torque will result in damage on the screw.
- For connection, first align the center, then tighten the first 3 to 4 turns of flare nut, by hand.
- Use tightening torque table above as a guideline for indoor unit side union joint section, and tighten using two wrenches.



⚠ WARNING
When installing the unit, securely connect the refrigerant pipes before starting the compressor.

⚠ WARNING

Reusable mechanical connectors and flared joints are not allowed indoors. When connecting the refrigerant piping by brazing, rather than using flare connections, complete all brazing prior to connecting indoor unit to outdoor unit.

4. TEST RUN

4-1. TEST RUN

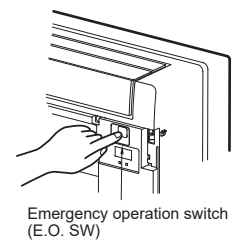
Make sure the following is done.

- Panel is installed correctly.
 - Indoor and outdoor units are installed correctly, and power is supplied.
- Press the E.O. SW once for COOL, and twice for HEAT operation. Test run will be performed for 30 minutes. If the left lamp of the operation indicator blinks every 0.5 seconds, inspect the indoor/outdoor unit connecting wire (A) for mis-wiring. After the test run, emergency mode (set temperature 24°C) will start.
 - To stop operation, press the E.O. SW several times until all LED lamps turn off. Refer to operating instructions for details.

Checking the remote (infrared) signal reception

Press the ON/OFF button on the remote controller (10) and check that an electronic sound is heard from the indoor unit. Press the ON/OFF button again to turn the air conditioner off.

- Once the compressor stops, the restart preventive device operates so the compressor will not operate for 3 minutes to protect the air conditioner.



4-2. AUTO RESTART FUNCTION

This product is equipped with an auto restart function. When the power supply is stopped during operation, such as during blackouts, the function automatically starts operation in the previous setting once the power supply is resumed. (Refer to the operating instructions for details.)

Caution:

- After test run or remote signal reception check, turn off the unit with the E.O. SW or the remote controller before turning off the power supply. Not doing so will cause the unit to start operation automatically when power supply is resumed.

To the user

- After installing the unit, make sure to explain the user about auto restart function.
- If auto restart function is unnecessary, it can be deactivated. Consult the service representative to deactivate the function. Refer to the service manual for details.

4-3. EXPLANATION TO THE USER

- Using the OPERATING INSTRUCTIONS, explain to the user how to use the air conditioner (how to use the remote controller, how to remove the air filters, how to remove or put the remote controller in the remote controller holder, how to clean, precautions for operation, etc.)
- Recommend the user to read the OPERATING INSTRUCTIONS carefully.

5. PUMPING DOWN

Refer to the procedures indicated in the installation manual of the outdoor unit.

WARNING

When the refrigeration circuit has a leak, do not execute pump down with the compressor. When pumping down the refrigerant, stop the compressor before disconnecting the refrigerant pipes. The compressor may burst if air etc. get into it.

INHALT





1. VOR DER INSTALLATION	1	Modellnamen sind in 1-3 aufgeführt.
2. INSTALLATION DES INNENGERÄTES	4	
3. KONUSANSCHLUSS, ROHRANSCHLUSS	8	
4. TESTLAUF	8	Diese Installationsanleitung gilt nur für das Innengerät. Siehe die Installationsanleitung für das Außengerät, um die Außengeräte einzurichten.
5. LEERPUMPEN	9	

Erforderliche Werkzeuge für die Installation

Kreuzschlitzschraubenzieher	Kelchwerkzeug für R32, R410A
Stufe	Verteiler des Messgerätes für R32, R410A
Maßstab	Vakuumpumpe für R32, R410A
Messer oder Schere	Nachfüllschlauch für R32, R410A
75 mm Lochsäge	Rohrschneider mit Reibahle
Drehmomentschlüssel	Wasserflasche
Schraubenschlüssel (oder Sechskantschlüssel)	0,9 bis 1,0 l Wasser

1. VOR DER INSTALLATION

BEDEUTUNG DER AUF DEM INNENGERÄT UND/ODER AUSSENGERÄT ANGEBRACHTEN SYMBOLE

	WARNUNG (Brandgefahr)	In diesem Gerät wird ein brennbares Kältemittel verwendet. Wenn Kältemittel austritt und mit Feuer oder heißen Teilen in Berührung kommt, entsteht schädliches Gas und es besteht Brandgefahr.
		Lesen Sie vor dem Betrieb sorgfältig die BEDIENUNGSANLEITUNG .
		Service-Techniker müssen vor dem Betrieb die BEDIENUNGSANLEITUNG und die INSTALLATIONSANLEITUNG sorgfältig lesen.
		Weitere Informationen sind in der BEDIENUNGSANLEITUNG , INSTALLATIONSANLEITUNG usw. enthalten.

1-1. VORSICHTSMASSNAHMEN

- Lesen Sie unbedingt die "VORSICHTSMASSNAHMEN" vor dem Installieren des Klimageräts.
- Beachten Sie die hier aufgeführten Warnungen und Vorsichtsmaßnahmen zur Sicherheit.
- Bewahren Sie dieses Handbuch nach dem Lesen zusammen mit der **BEDIENUNGSANLEITUNG** zum späteren Nachschlagen auf.

⚠️ WARNUNG (Kann zum Tode, schweren Verletzungen usw. führen.)

- **Installieren Sie (als Benutzer) die Anlage nicht selbst.**
Eine falsche Installation kann zu Feuer, Stromschlägen, Verletzungen durch Herunterfallen der Einheit oder zu Wasseraustritt führen. Wenden Sie sich für die Installation an Ihren Fachhändler, bei dem Sie das Gerät gekauft haben, oder an autorisiertes Kundendienstpersonal.
- **Führen Sie die Installation unter genauer Einhaltung der Anweisungen der Installationsanleitung aus.**
Eine falsche Installation kann zu Feuer, Stromschlägen, Verletzungen durch Herunterfallen der Einheit oder zu Wasseraustritt führen.
- **Verwenden Sie beim Installieren der Anlage zu Ihrer Sicherheit geeignete Schutzausrüstung und Werkzeuge.**
Wird dies nicht getan, besteht Verletzungsgefahr.
- **Installieren Sie das Gerät an einem Ort, der das Gewicht des Geräts tragen kann.**
Wenn der Installationsort nicht ausreichend tragfähig ist, kann das Gerät herunterfallen und Verletzungen verursachen.
- **Elektrische Arbeiten müssen unter Beachtung der Installationsanleitung von einem qualifizierten, erfahrenen Elektriker durchgeführt werden. Das Gerät muss an einen eigenen, separat abgesicherten Kreis angeschlossen werden. Schließen Sie keine weiteren Elektrogeräte an diesen Kreis an.**
Falls die Kapazität des Sicherungskreises nicht ausreichend ist, oder die elektrische Verkabelung fehlerhaft ausgeführt wird, kann dies zu Feuer oder Stromschlägen führen.
- **Erden Sie das Klimagerät korrekt.**
Schließen Sie das Erdungskabel niemals an einem Gasrohr, einem Wasserrohr, einem Blitzableiter oder dem Erdungsleiter einer Kommunikationsanlage (Telefon usw.) an. Fehlerhafte Erdung kann zu Stromschlägen führen.
- **Achten Sie darauf, die Kabel nicht zu beschädigen, indem Sie mit anderen Teilen oder Schrauben übermäßigen Druck ausüben.**
Schadhafte Kabel können zu Bränden oder Stromschlägen führen.
- **Sorgen Sie dafür, dass beim Einbau der elektronischen P.C.-Steuertafel für das Innengerät oder bei der Verkabelung der Netzstrom abgeklummt ist.**
Wird dies nicht getan, besteht die Gefahr eines Stromschlags.
- **Verwenden Sie zur Verbindung von Innen- und Außengerät die angegebenen Leitungen, und schließen Sie die Drähte richtig an den Klemmleisten an, so dass die Klemmleisten nicht durch Zug an den Drähten beansprucht werden. Keine Verlängerungskabel und keine Zwischenanschlüsse verwenden.**
Falscher Anschluss und falsche Befestigung können Brände auslösen.
- **Installieren Sie die Geräte niemals an Orten, an denen brennbare Gase austreten können.**
Falls brennbare Gase austreten und sich in der Nähe des Gerätes ansammeln, kann es zu einer Explosion kommen.
- **Schließen Sie das Stromkabel nicht über Zwischenanschlüsse oder Verlängerungskabel an, und schließen Sie nicht mehrere Geräte an einer Steckdose an.**
Dies kann zu Feuer oder Stromschlägen aufgrund defekter Kontakte, defekter Isolierung oder dem Überschreiten der zulässigen Stromstärke usw. führen.
- **Verwenden Sie für die Installation die mitgelieferten bzw. angegebenen Teile.**
Die Verwendung falscher Teile kann einen Wasseraustritt verursachen oder durch Feuer, Stromschlag, Herunterfallen der Einheit usw. Verletzungen verursachen.
- **Vor dem Einstecken des Stromkabels in die Steckdose, stellen Sie sicher, dass weder in Steckdose noch am Stecker Staub, Verschmutzungen oder lose Teile zu finden sind. Stecken Sie den Stecker des Stromkabels vollkommen in die Steckdose ein.**
Wenn sich doch Staub, Verschmutzungen oder lose Teile am Stecker des Stromkabels oder in der Steckdose befinden, kann dies zu Feuer oder Stromschlägen führen. Wenn Sie lose Teile am Stecker des Stromkabels finden, ersetzen Sie diesen.
- **Bringen Sie den Deckel des Schaltkastens am Innengerät und den Wartungsdeckel am Außengerät fest an.**
Falls der Deckel des Schaltkastens des Innengerätes und/oder der Wartungsdeckel des Außengerätes nicht richtig angebracht ist/sind, kann es aufgrund von Staub, Wasser usw. zu Feuer oder Stromschlägen kommen.
- **Achten Sie beim Installieren, Umsetzen oder Warten der Anlage darauf, dass keine andere Substanz als das vorgeschriebene Kältemittel (R32/R410A) in den Kältemittelkreislauf gelangt.**
Das Vorhandensein irgendeiner anderen Substanz wie z. B. Luft kann einen abnormalen Druckanstieg verursachen und zu einer Explosion oder zu Verletzungen führen. Die Verwendung eines anderen als des vorgeschriebenen Kältemittels für das System kann mechanische Schäden, Fehlfunktionen des Systems oder einen Ausfall der Anlage verursachen. Im schlimmsten Fall kann dies zu einer schwerwiegenden Beeinträchtigung der Produktsicherheit führen.
- **Das Gerät nicht verändern.**
Dies könnte einen Brand, einen elektrischen Schlag, Verletzungen oder Wasserleckagen verursachen.
- **Lassen Sie das Kältemittel nicht in die Atmosphäre entweichen. Wenn das Kältemittel während der Installation austritt, lüften Sie den Raum. Nach Fertigstellung der Installation prüfen, dass kein Kältemittel austritt.**
Wenn Kältemittel austritt und in Kontakt mit Feuer oder heißen Teilen wie einem Heizlüfter, einer Petroleumheizung oder einem Kochherd kommt, entsteht ein schädliches Gas. Sorgen Sie für Belüftung gemäß der Bestimmung EN378-1.
- **Verwenden Sie geeignete Werkzeuge und geeignetes Rohrleitungsmaterial für die Installation.**
Der Druck von R32/R410A ist 1,6 Mal größer als R22. Die Benutzung von nicht geeigneten Werkzeugen und nicht geeignetem Material und eine unvollständige Installation können zum Platzen der Rohrleitungen oder Verletzungen führen.
- **Wenn der Kältemittelkreislauf ein Leck aufweist, nicht mit dem Kompressor abpumpen. Beim Auspumpen des Kältemittels, schalten Sie den Kompressor ab, bevor die Kältemittelleitungen getrennt werden.**
Wenn die Kältemittelleitungen getrennt werden, während der Kompressor läuft und das Absperrventil offen ist, könnte Luft eingesaugt werden und ein abnormaler Druckanstieg im Kühlkreislauf könnte die Folge sein. Das könnte die Rohrleitungen zum Platzen bringen oder Verletzungen verursachen.
- **Installieren Sie je nach Installationsort einen Erdschlussschalter.**
Wenn ein solcher Erdschlussschalter nicht installiert ist, besteht die Gefahr eines Stromschlags.
- **Schließen Sie die Kältemittelleitungen beim Installieren des Geräts fest an, bevor Sie den Kompressor einschalten.**
Wenn der Kompressor eingeschaltet wird, bevor die Kältemittelleitungen angeschlossen sind und das Absperrventil offen ist, könnte Luft eingesaugt werden und ein abnormaler Druckanstieg im Kühlkreislauf könnte die Folge sein. Das könnte die Rohrleitungen zum Platzen bringen oder Verletzungen verursachen.
- **Befestigen Sie Konusmuttern mit einem Drehmomentschlüssel gemäß den Angaben in dieser Anleitung.**
Wenn eine Konusmutter zu fest angezogen wird, kann sie nach längerer Zeit bersten und das Austreten von Kältemittel verursachen.
- **Das Gerät muss gemäß den nationalen Bestimmungen für Elektroanschlüsse installiert werden.**
- **Lassen Sie das Kältemittel bei Verwendung eines Gasbrenners oder eines anderen Geräts, das eine Flamme erzeugt, vollständig aus dem Klimagerät ab und stellen Sie sicher, dass der Bereich gut belüftet ist.**
Wenn Kältemittel austritt und mit Feuer oder heißen Teilen in Berührung kommt, entsteht schädliches Gas und es besteht Brandgefahr.
- **Verwenden Sie keine anderen als vom Hersteller empfohlenen Mittel, um das Abtauen zu beschleunigen oder das Gerät zu reinigen.**
- **Das Gerät muss in einem Raum ohne kontinuierlich betriebene Zündquellen (zum Beispiel: offenes Feuer, ein in Betrieb befindliches Gasgerät oder eine in Betrieb befindliche Elektroheizung) aufbewahrt werden.**
- **Nicht durchstechen oder verbrennen.**
- **Bedenken Sie, dass Kältemittel geruchslos sein können.**
- **Rohrleitungen müssen vor physischen Beschädigungen geschützt werden.**
- **Die Installation von Rohrleitungen muss auf ein Mindestmaß beschränkt werden.**
- **Die Einhaltung nationaler Gasverordnungen muss sichergestellt werden.**
- **Halten Sie alle erforderlichen Lüftungsöffnungen stets frei.**
- **Halten Sie Gasbrenner, elektrische Heizungen und andere Feuerquellen (Zündquellen) von dem Ort fern, an dem Installations-, Reparatur- oder sonstige Arbeiten an der Klimaanlage durchgeführt werden.**
- **Das Gerät muss in einem gut belüfteten Bereich aufbewahrt werden, dessen Raumgröße der für den Betrieb vorgegebenen Raumfläche entspricht.**
- **Den Trennschalter nur im Falle von Brandgeruch oder zur Wartung oder Inspektion ausschalten.**
Der Kältemittelsensor im Innengerät kann nicht mit Strom versorgt werden, so dass der Sensor kein Kältemittelleck erkennen kann. Dies kann einen Brand verursachen.
- **Das Verbindungskabel an der vorgesehenen Position sicher befestigen.**
Eine unsachgemäße Installation kann Stromschläge, Brände und/oder Fehlfunktionen verursachen.

- **Befolgen Sie bei den Abflussrohr-/Verrohrungsarbeiten genau die Installationsanleitung.**
Falls die Abflussrohr-/Verrohrungsarbeiten fehlerhaft ausgeführt werden, kann Wasser vom Gerät tropfen und Haushaltsgegenstände beschädigen.
- **Berühren Sie nicht den Lufteinlass oder die Aluminiumrippen des Außengerätes.**
Das könnte zu Verletzungen führen.
- **Bitte beim Berühren des Sockels des Außengeräts Schutzausrüstung tragen.**
Wird keine Schutzausrüstung getragen, so kann es zu Verletzungen kommen.
- **Installieren Sie das Außengerät nicht an Orten, wo kleine Tiere leben könnten.**
Falls kleine Tiere in das Gerät gelangen und elektrische Bauteile berühren, könnte dies zu einer Fehlfunktion, Rauchentwicklung oder Feuer führen. Weisen Sie außerdem die Benutzer an, die Umgebung des Geräts sauber zu halten.
- **Betreiben Sie die Klimaanlage nicht, solange Innenausbau- und Abschlussarbeiten noch andauern oder der Boden gewacht wird.**
Lassen Sie den Raum nach Abschluss solcher Arbeiten gut durchlüften, bevor Sie die Klimaanlage in Betrieb nehmen. Andernfalls könnten sich flüchtige Elemente im Innern der Klimaanlage festsetzen und Wasserlecks oder Taubildung verursachen.
- **Das Gerät nicht an Orten installieren, an denen Rauch, Gas oder Arzneistoffe darin eindringen können.**
Der Kältemittelsensor im Innengerät kann damit reagieren und einen Kältemittelleckfehler anzeigen.
- **Achten Sie auf die Lüfterrotation bei eingeschaltetem Trennschalter.**
Wenn der Kältemittelsensor ein Kältemittelleck erkennt, beginnt der Lüfter automatisch, sich zu drehen. Dies kann Verletzungen verursachen.
- **Wenn Sie in Innenräumen Aerosolsprays für Bauarbeiten, Oberflächenbehandlungen oder zum Abdichten eines Wandlochs verwenden, schalten Sie den Trennschalter aus und lüften Sie den Raum gut. Der Kältemittelsensor kann auf das Gas in den Sprays ansprechen, was eine fehlerhafte Erkennung verursachen kann.**

1-2. WAHL DES INSTALLATIONSORTES

Diese Anleitung beschreibt nur die Installation des Innengerätes.
Zur Installation des Außengerätes lesen Sie bitte die Installationsanleitung des Außengerätes.

INNENGERÄT

⚠ ⚠ WARNUNG

Dieses Gerät sollte in Räumen installiert werden, deren Bodenfläche größer als die in der Installationsanleitung des Außengeräts angegebene Bodenfläche ist.

- Siehe Installationsanleitung für das Außengerät.

Die folgenden Bedingungen sollten bei der Installation von Innengeräten erfüllt sein:

- Wählen Sie einen Ort, an dem die Luft frei ausströmen kann.
- Ein Ort, von dem die kühle (oder warme) Luft über den gesamten Raum verteilt wird.
- Wählen Sie einen Ort mit einer festen, vibrationsfreien Wand.
- Wählen Sie einen Ort, an dem die Anlage keiner direkten Sonneneinstrahlung ausgesetzt ist. Vermeiden Sie direkte Sonneneinstrahlung, auch während der Zeit nach dem Auspacken bis zur Inbetriebnahme.
- Wählen Sie einen Ort, an dem Kondensat einfach abgeführt werden kann.
- In einem Abstand von 1 m oder mehr vom Fern-sehgerät und Radio entfernt. Die Bedienung der Klimaanlage kann den Radio- oder Fernsehempfang stören. In diesem Fall ist möglicherweise ein Verstärker für das betroffene Gerät erforderlich.
- Wählen Sie einen Ort, der möglichst weit entfernt ist von Leuchtstoff- oder Glühlampen (damit die Klimaanlage mit der Fernbedienung ungestört betätigt werden kann). Die von den Lampen ausgehende Wärme kann zu Verformung führen, das ultraviolette Licht kann zu Beeinträchtigungen führen.
- Wählen Sie einen Ort, an dem der Luftfilter einfach entfernt und ausgetauscht werden kann.
- Ein Ort entfernt von anderen Wärme- oder Dampfquellen.
- Installieren Sie das Gerät nicht in Umgebungen, in denen Gas-ausrüstung für Propan, Butan oder Methan, Sprays wie etwa Insektenvernichtungssprays, Rauch erzeugende Geräte, Beschichtungsmaterial und Arzneistoffe verwendet werden, oder an Orten, an denen Gas auf Schwefelbasis erzeugt wird.
- Der Kältemittelsensor im Innengerät kann damit reagieren und einen Kältemittelleckfehler anzeigen. Dies kann zu einem Ausfall des Geräts führen.

FERNBEDIENUNG

Nachfolgend werden die bevorzugten Bedingungen für die Aufbewahrung einer Fernbedienung genannt:

- Bringen Sie sie an einer gut zugänglichen und sichtbaren Stelle an.
- Wählen Sie einen Ort, den Kinder nicht erreichen können.
- Wählen Sie eine Stelle, die ungefähr 1,2 m über dem Boden ist und von der aus die Signale der Fernbedienung gut vom Innengerät empfangen werden (ein einfacher oder doppelter Piepton bestätigt den Empfang).

Hinweis:

In einem Raum mit wechselrichterbetriebenen Leuchtstofflampen können die Signale der Fernbedienung eventuell nicht empfangen werden.

Hinweis:

Vermeiden Sie die folgenden Orte zur Installation, da es sonst zu Störungen der Klimaanlage kommen kann.

- Orte, an denen brennbare Gase ausströmen können.
- Orte, an denen viel Maschinenöl verwendet wird.
- Orte, an denen Ölspritzer auftreten oder Öldunst vorhanden ist (z.B. Küchenbereiche und Fabriken, in denen Kunststoffe ihre Eigenschaften verändern und beschädigt werden können).
- Orte mit salzhaltiger Luft (Meeresnähe).
- Orte, an welchen schwefelhaltige Gase auftreten, wie z. B. heiße Quellen, Schmutzwasser, Abwasser.
- Orte, an denen Hochfrequenz- oder kabellose Geräte betrieben werden.
- Orte, an denen große Mengen von flüchtigen organischen Verbindungen auftreten, einschließlich Phthalat-Verbindungen, Formaldehyd usw., die zu chemischer Spaltung führen können.
- Das Gerät muss so gelagert werden, dass mechanische Beschädigungen vermieden werden.

Bei Verbindung mit einem Außengerät, das R32-Kältemittel verwendet, sollte die Installation des Innengeräts in einem Raum mit einer Bodenfläche von Amin oder mehr erfolgen, was einer Kältemittelmenge M entspricht (werkseitig eingefülltes Kältemittel + vor Ort hinzugefügtes Kältemittel). Angaben zur Kältemittelmenge und Kältemittelnachfüllung finden Sie am Außengerät.

M [kg]	Amin [m ²]
1,00	Keine Anforderungen
1,10	
1,20	
1,30	
1,40	
1,50	
1,60	
1,70	
1,80	
1,84	
1,90	3,75
2,00	3,95
2,10	4,15
2,20	4,34
2,30	4,54
2,40	4,74

Lesen Sie zur Kältemittelbefüllung die Installationsanleitung des Außengeräts.

1-3. TECHNISCHE DATEN

Modell	Stromversorgung *1		Kabeldaten *2	Rohrdurchmesser (Dicke *3, *4, *5, *6)		Isolationsdicke *7, *8
	Netzspannung	Frequenz	Innen-/Außengerät-Verbindungskabel	Gas	Flüssigkeit	
MFZ-KT25VG	230 V	50 Hz	4-adrig 2,0 mm ²	ø9,52 mm (0,8 mm)	ø6,35 mm (0,8 mm)	14 mm
MFZ-KT35VG				ø12,7 mm (0,8 mm)		
MFZ-KT50VG				ø15,88 mm (0,8 mm)		
MFZ-KT60VG						

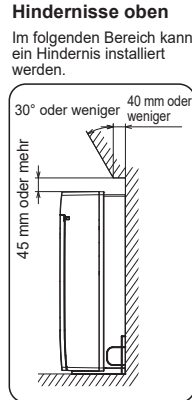
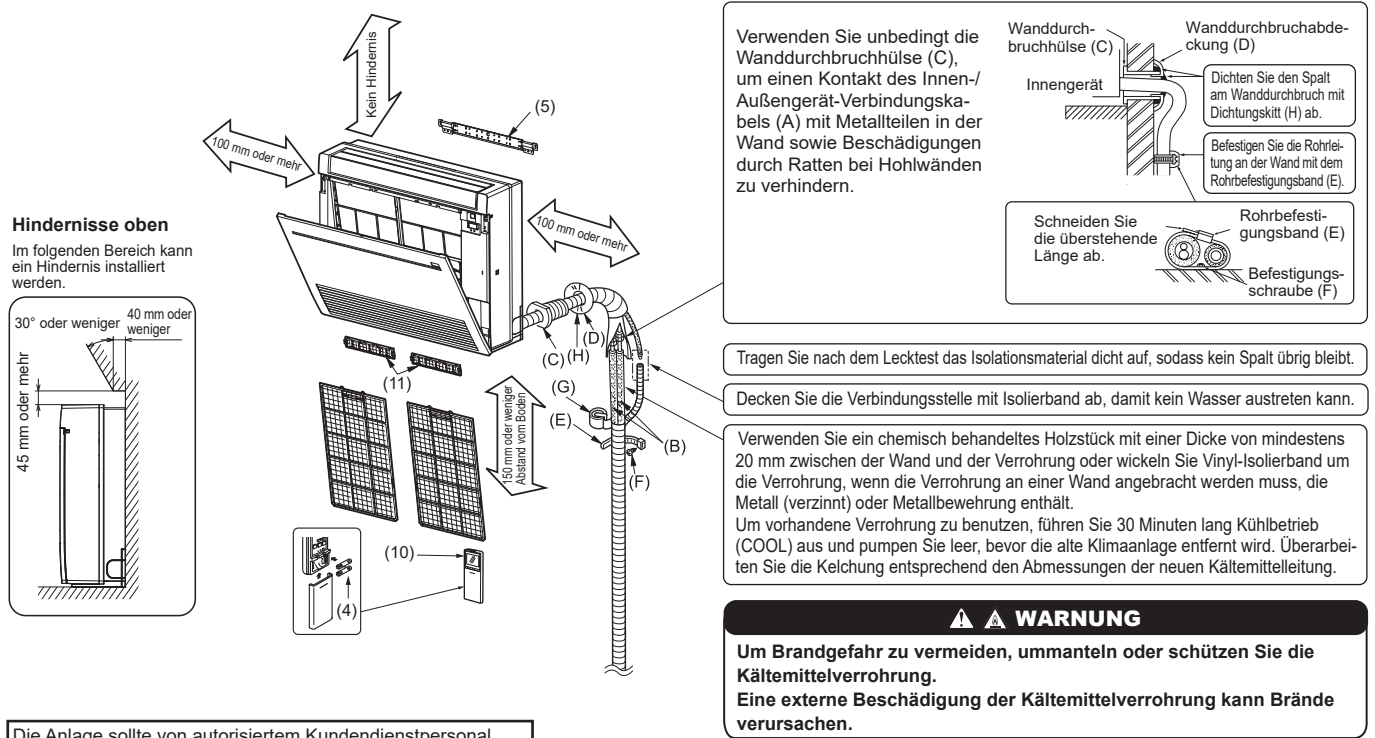
*1 Nehmen Sie den Anschluss an einem Trennschalter vor, der im geöffneten Zustand zur Unterbrechung der Netzstromphase einen Zwischenraum von 3 mm oder mehr aufweist. (Wenn der Trennschalter ausgeschaltet ist, muss er alle Pole trennen.)
 *2 Verwenden Sie Kabel, die dem Standard 60245 IEC 57 entsprechen.
 *3 Unter keinen Umständen dürfen Rohrleitungen mit einer geringeren Wandstärke als angegeben verwendet werden. Deren Druckfestigkeit reicht nicht aus.

*4 Verwenden Sie eine Kupferleitung oder eine nahtlose Leitung aus Kupferlegierung.
 *5 Achten Sie darauf, das Rohr an der Rohrbiegung nicht zu quetschen oder zu verbiegen.
 *6 Der Biegeradius der Kältemittelleitungen muss mindestens 100 mm betragen.
 *7 Isolationsmaterial: Hitzebeständiger Schaumstoff mit einer spezifischen Dichte von 0,045

*8 Achten Sie darauf, dass die Isolierung die angegebene Stärke aufweist. Zu starke Isolierung kann zu unsachgemäßer Installation des Innengerätes und zu geringe Stärke der Isolierung zu Herabtropfen von Kondenswasser führen.

1-4. INSTALLATIONSDIAGRAMM

Lesen Sie zur Installation der Außengeräte die Installationsanleitung für das Außengerät.
 Die Tabelle mit den technischen Daten der Rohre gibt keine festgelegte Mindestlänge an. Innengeräte mit weniger als 3 m verbundener Rohre können jedoch während des normalen Systembetriebs in sehr ruhigen Umgebungen mitunter Geräusche erzeugen.
 Bitte beachten Sie diesen wichtigen Hinweis bei der Installation und Anordnung des Innengeräts im klimatisierten Raum.



Die Anlage sollte von autorisiertem Kundendienstpersonal gemäß örtlichen Vorschriften installiert werden.

ZUBEHÖR

Vor Aufstellung das Vorhandensein nachstehender Teile überprüfen.

(1) Ablaufschlauch*	1
(2) Rohrinsolation	1
(3) Band	2
(4) Akku (AAA) für (10)	2
(5) Montagehalterung für Innengerät	1
(6) Befestigungsschraube für (5) 4 x 25 mm	5
(7) Holzschraube für Befestigung des Innengeräts	4
(8) Unterlegscheibe von (7)	4
(9) Filzband (verwendet für Verrohrung links oder links hinten)	1
(10) Infrarotfernbedienung	1
(11) Luftreinigungsfilter	2
(12) Verbindungsrohr (nur KT60)	1
(13) Rohrabdeckung für Verbindungsrohr (nur KT60)	1
(14) Trennschalterschild	1
(15) Trennschalterhinweis	1

AM MONTAGEORT ERFORDERLICHE TEILE

(A) Innen-/Außengerät-Verbindungskabel*	1
(B) Verlängerungsrohr	1
(C) Wanddurchbruchhülse	1
(D) Wanddurchbruchabdeckung	1
(E) Rohrbefestigungsband	2 - 5
(F) Befestigungsschraube für (E) 4 x 20 mm	2 - 5
(G) Verrohrungsband	1
(H) Kitt	1
(J) Ablaufschlauch (oder Schlauch aus Weich-PVC, 15 mm Innendurchmesser oder Hart-PVC-Rohr VP16)	1 oder 2
(K) Stromversorgungskabel*	1
(L) Band (nur bei Wi-Fi-Schnittstellenverbindung)	2

* Hinweis:
 Verlegen Sie das Innen-/Außengerät-Verbindungskabel (A) und das Stromversorgungskabel (K) in mind. 1 m Entfernung zum Fernsehantennenkabel.

* Hinweis:
 Der Ablaufschlauch wird an das Gerät angeschlossen.

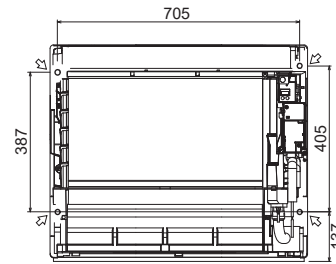
2-4. AUFSTELLUNG DER INNENANLAGE

2-4-1. INSTALLIEREN DES INNENGERÄTS AUF DEM FUSS- BODEN

- 1) Platzieren Sie das Innengerät auf dem geraden Fußboden.
- 2) Befestigen Sie das Innengerät an 4 Punkten mithilfe der beiliegenden Holzschrauben (7) und den Unterlegscheiben (8). Ziehen Sie die Schrauben sicher fest.

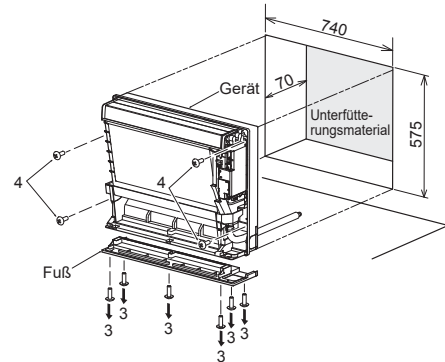
2-4-2. INSTALLIEREN DES INNENGERÄTS AN DER WAND

- 1) Das Kopfende des Innengeräts in die Montagehalterung für Innengerät (5) einhaken.
- 2) Befestigen Sie das Innengerät an 4 Punkten mithilfe der beiliegenden Holzschrauben (7) und den Unterlegscheiben (8). Ziehen Sie die Schrauben sicher fest.



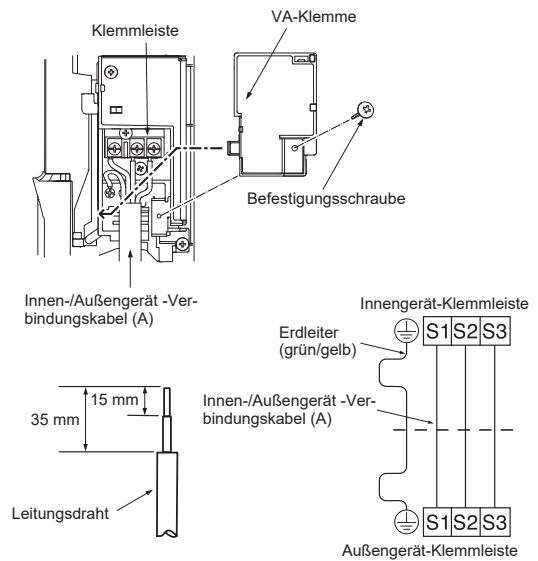
2-4-3. WANDEINBAU INNENGERÄT

- 1) Bohren Sie ein Loch in der Wand.
- 2) Stellen Sie die Tiefe durch Unterfüttern mit geeignetem Material ein.
- 3) Entfernen Sie 6 Schrauben, mit denen der Fuß mit dem Gerät verbunden ist. Nehmen Sie den Fuß vom Gerät ab.
- 4) Befestigen Sie das Innengerät an 4 Punkten mithilfe der beiliegenden Holzschrauben (7) und den Unterlegscheiben (8). Ziehen Sie die Schrauben sicher fest.



2-5. ANSCHLIESSEN DER KABEL FÜR DAS INNENGERÄT

- 1) Entfernen Sie die VA-Klemme.
- 2) Führen Sie das Innen-/Außengerät-Verbindungskabel (A) von der Rückseite des Innengeräts und bereiten Sie das Kabelende vor.
- 3) Lösen Sie die Klemmschrauben, und verbinden Sie zuerst die Erdleitung und anschließend das Innen-/Außengerät-Verbindungskabel (A) mit der Klemmleiste. Achten Sie auf die richtige Verkabelung. Befestigen Sie die Ader sicher in der Klemmleiste, so dass die Ader nirgends blank liegt und keine äußeren Kräfte auf den Verbindungsbereich der Klemmleiste wirken können.
- 4) Ziehen Sie die Klemmschrauben fest an, um späteres Lösen zu vermeiden. Ziehen Sie nach dem Festziehen leicht an den einzelnen Adern, um sicherzustellen, dass sie sich nicht bewegen lassen.
- 5) Sichern Sie das Innen-/Außengerät-Verbindungskabel (A) und den Masseleiter mit der VA-Klemme. Achten Sie darauf, immer die linke Seite der VA-Klemme einzuhaken. Befestigen Sie die VA-Klemme sicher.



- Führen Sie die Erdleitung etwas länger aus als die übrigen. (mehr als 45 mm)
- Lassen Sie das Kabel für zukünftige Wartungszwecke etwas länger als erforderlich.
- Falten Sie das überschüssige Kabel nicht und stopfen Sie es nicht in einen zu kleinen Raum. Achten Sie darauf die Kabel nicht zu beschädigen.
- Beim Befestigen der Kabel und/oder Drähte an die Klemmleiste darauf achten, dass jede Schraube in ihre entsprechende Klemme eingeschraubt ist.

⚠️ WARNUNG

Schließen Sie die Kältemittelleitungen beim Installieren des Geräts fest an, bevor Sie den Kompressor einschalten.

2-6. ROHFÜHRUNG UND INSTALLATION

Hinweis: Siehe 3. KONUSANSCHLUSS, ROHRANSCHLUSS.

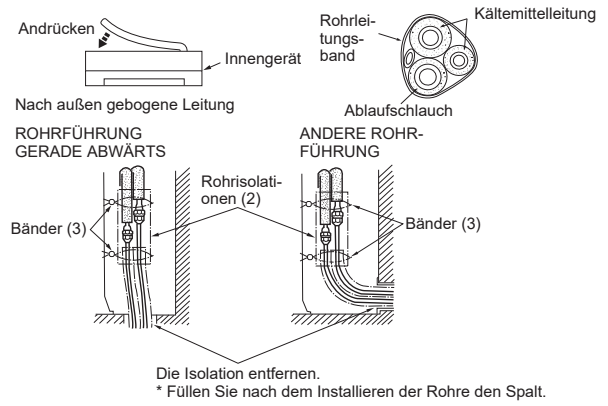
Rohrführung

- Den Ablaufschlauch diagonal unter den Anschlussrohren verlegen.
- Sicherstellen, daß der Ablaufschlauch nicht mit Aufwärtsneigung verlegt wird und dass keine Wellen im Schlauch sind.
- Auf keinen Fall am Ablassschlauch ziehen; Band um den Schlauch wickeln.
- Die Rohrleitung so verlegen, daß sie nicht an der Rückseite des Innengeräts herausragt. (Siehe Abbildung rechts.)

Verlegung der Anschlussrohre

- Die Anschlussrohre so installieren, dass sich die Leitungen leicht nach vorne, hinten, links und rechts bewegen lassen.
- Bedecken Sie bei abgenommener Abdeckung unbedingt die Rohre, damit nach der Installation keine Rohre im Raum freiliegen.
- Füllen Sie nach dem Installieren der Rohre den Spalt.

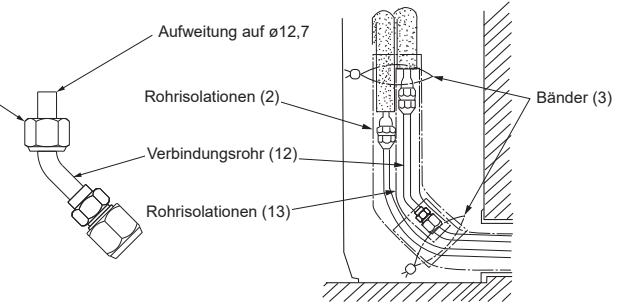
- Isolieren Sie in jedem Fall die Anschlussrohre, so dass sie nicht die Platte berühren.
- Darauf achten, dass die Anschlussrohre beim Biegen nicht gequetscht werden.



Für MFZ-KT60

- Verwenden Sie unbedingt das Verbindungsrohr (12), da das Verlängerungsrohr von $\varnothing 15,88$ anderenfalls nicht angebracht werden kann.
- Weiten Sie das Verbindungsrohr (12) auf $\varnothing 12,7$ auf und bringen Sie die Rohrabdeckung (13) an.

Verwenden Sie die am Gerät angebrachte konische Mutter. Achten Sie auf die Ausrichtung der Muttern.



VERROHRUNG LINKS ODER LINKS HINTEN

Die Anschlussrohre und den Ablaufschlauch zusammen bündeln und mit Filzband (9) umwickeln.

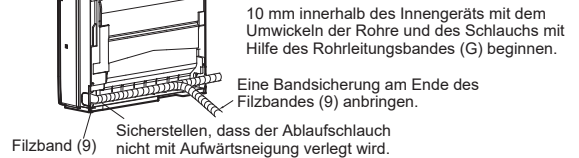
Die Platten des Innengeräts unten links und rechts wie in der Abbildung gezeigt ausschneiden.

Die Schnittkanten der Seitenplatten abrunden, damit sie die Isolierung nicht beschädigen können.

- Für Verrohrung links oder rechts
- Bündig gegen eine Wand mit Profilleiste installieren

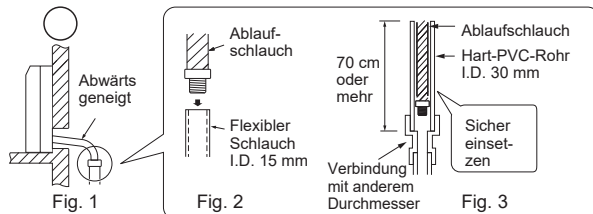


Das Filzband (9) fest um die Rohre und den Schlauch wickeln; dabei an der Stelle beginnen, wo Rohre und Schlauch vom Innengerät her verlegt werden. (Die Überlappungsbreite des Filzbandes (9) sollte nicht mehr als die 1/2 der Bandbreite betragen.)

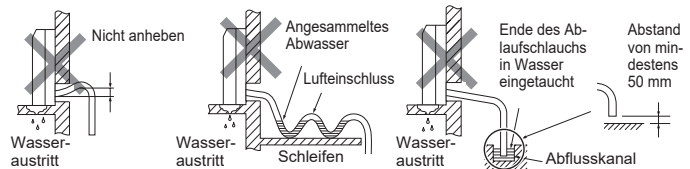


2-7. ABLASSROHR

- Wenn der Verlängerungs-Ablaufschlauch im Innerem eines Raumes verlegt werden soll, umwickeln Sie ihn unbedingt mit im Fachhandel erhältlichem Isolationsmaterial.
- Der Ablaufschlauch sollte nach unten gerichtet sein, um ein gutes Abfließen sicherzustellen. (Fig. 1)
- Wenn der mit dem Innengerät mitgelieferte Ablaufschlauch zu kurz ist, verbinden Sie ihn mit einem beim Installationsfachmann erhältlichen Ablaufschlauch (J). (Fig. 2)
- Verwenden Sie Klebeband oder ein anderes Material, um die Verbindung zwischen dem Ablaufschlauch des Produkts und dem Verlängerungsschlauch (16 mm Innendurchmesser) (J) abzudichten.
- Achten Sie bitte beim Anschließen des Ablaufschlauchs an das Hart-PVC-Rohr darauf, den Schlauch fest und sicher in das Rohr einzusetzen. (Fig. 3)

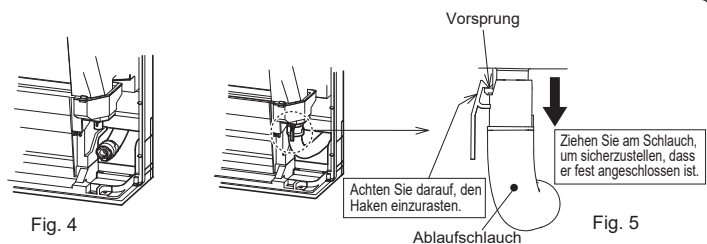


Bringen Sie das Abflussrohr nicht wie unten gezeigt an.



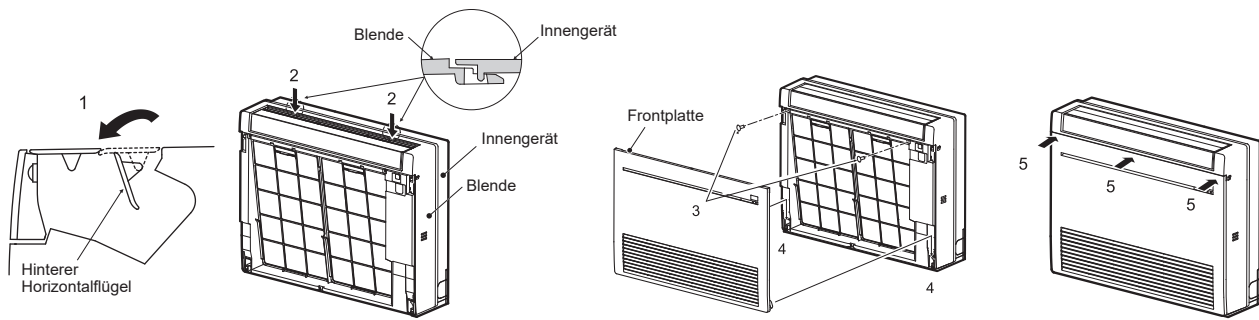
Der Ablaufschlauch wird bei der Installation entfernt.

- Bei Verlegen des Ablassrohres sicherstellen, daß der Ablaufschlauch (1) wie abgebildet verlegt wird. (Fig. 4)
- Den Ablaufschlauch vollständig bis zum Boden der Ablaufwanne (Endanschluss) einführen. (Fig. 5)
- Sicherstellen, dass der Haken des Ablaufschlauchs auf dem Vorsprung am Schlauchanschluss der Ablaufwanne eingerastet ist.
- Nach dem Anschließen des Ablaufschlauchs am Schlauch ziehen, um sicherzustellen, dass er fest angeschlossen ist.



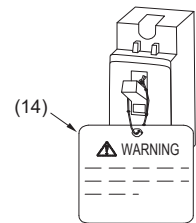
2-8. INSTALLATION DER FRONTPLATTE

- 1) Öffnen Sie den hinteren Horizontalflügel.
- 2) Befestigen Sie die Platte. Achten Sie darauf, dass die Verschlüsse verriegelt sind.
- 3) Befestigen Sie die Platte mit Schrauben.
- 4) Setzen Sie den unteren Teil der Frontabdeckung ein.
- 5) Drücken Sie auf 3 Stellen am oberen Teil der Frontabdeckung, um diese zu schließen.



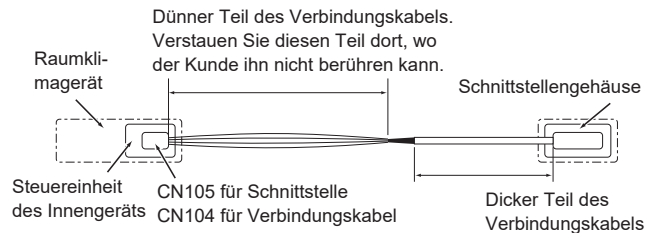
2-9. ANBRINGUNG DES SCHILDS UND DER ERLÄUTERUNG

Der Trennschalter muss außer bei der Wartung und Inspektion stets eingeschaltet sein. Hängen Sie das zugehörige Schild (14) oder (15) an den Trennschalter und erläutern Sie es dem Kunden. Wenn der Trennschalter ausgeschaltet ist, wird der Kältemittelsensor im Innengerät nicht mit Strom versorgt, so dass Kältemittellecks nicht erkannt werden können. Hinweis: Hängen Sie beim Verkabeln der separaten Stromversorgungen für Innengerät/Außengerät das zugehörige Schild (14) oder (15) an den Trennschalter auf der Innengeräteseite und erläutern Sie es dem Kunden.

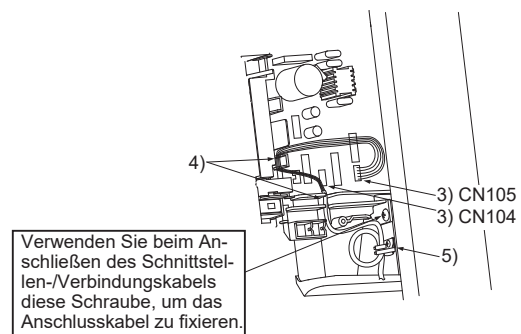


2-10. ANSCHLIESSEN EINES SCHNITTSTELLEN-(zubehör)/VERBINDUNGSKABELS (zubehör) AM KLIMAGERÄT

- Schließen Sie ein Schnittstellen-/Verbindungskabel an der Platine eines Klimageräts mit einem Anschlusskabel an.
- Kürzen oder Verlängern des Schnittstellen-/Verbindungskabels kann zu fehlerhafter Verbindung führen. Bündeln Sie das Verbindungskabel nicht mit dem Netzkabel, dem Innen-/Außengerät-Verbindungskabel und/oder der Erdungsleitung. Halten Sie zwischen dem Verbindungskabel und diesen Kabeln so viel Abstand wie möglich ein.
- Der dünne Teil des Verbindungskabels sollte dort verstaut und untergebracht werden, wo der Kunde es nicht berühren kann.



- 1) Nehmen Sie die Platte ab.
- 2) Abdeckung der Steuereinheit des Innengeräts öffnen.
- 3) Schließen Sie das Verbindungskabel an CN105 und/oder CN104 auf der Platine des Innengeräts an.
- 4) Das Verbindungskabel durch diesen in der Abbildung gezeigten Punkt hindurch verlegen.
- 5) Bringen Sie die mit dem Schnittstellen-/Verbindungskabel gelieferte Kabelklemme mit einer Schraube 4 x 16 wie in der Abbildung gezeigt am dicken Teil des Verbindungskabels an.
- 6) Abdeckung der Steuereinheit des Innengeräts schließen. Dabei darauf achten, dass sich der dünne Teil des Verbindungskabels nicht in der Abdeckung verfängt. Befestigen Sie die Platte.

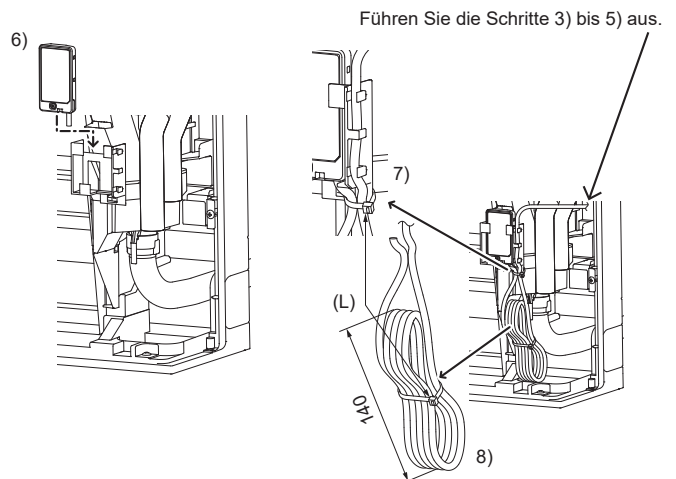


Verwenden Sie beim Anschließen des Schnittstellen-/Verbindungskabels diese Schraube, um das Anschlusskabel zu fixieren.

Hinweis:

Beim Anschluss der Wi-Fi-Schnittstelle (Option): Bringen Sie die Schnittstelle in der Halterung wie in der Abbildung gezeigt an. Passen Sie die Länge des Kabels an und bündeln Sie es wie in der Abbildung gezeigt.

- 1) Nehmen Sie die Platte ab.
- 2) Abdeckung der Elektronikplatine des Innengeräts öffnen.
- 3) Schließen Sie das Verbindungskabel an CN105 an der Elektronikplatine des Innengeräts an.
- 4) Das Verbindungskabel durch diesen in der Abbildung gezeigten Punkt hindurch verlegen.
- 5) Bringen Sie die mit dem Schnittstellen-/Verbindungskabel gelieferte Kabelklemme mit einer Schraube 4 x 16 wie in der Abbildung gezeigt am dicken Teil des Verbindungskabels an.
- 6) Platzieren Sie die Wi-Fi-Schnittstelle in die Halterung.
- 7) Platzieren Sie das Verbindungskabel in die Halterung und befestigen Sie es mit dem Band (L).
- 8) Bündeln Sie das überschüssige Kabel mit dem Band (L). Der gerollte Teil sollte etwa 140 mm groß sein.
- 9) Abdeckung der Steuereinheit des Innengeräts schließen. Dabei darauf achten, dass sich der dünne Teil des Verbindungskabels nicht in der Abdeckung verfängt. Befestigen Sie die Platte.



Führen Sie die Schritte 3) bis 5) aus.

⚠️ WARNUNG

Das Verbindungskabel an der vorgesehenen Position sicher befestigen. Eine unsachgemäße Installation kann Stromschläge, Brände und/oder Fehlfunktionen verursachen.

3. KONUSANSCHLUSS, ROHRANSCHLUSS

3-1 KELCHEN

- Schneiden Sie das Kupferrohr sachgemäß mit einem Rohrschneider ab. (Fig. 1, 2)
- Entfernen Sie sorgfältig alle Grate vom abgeschnittenen Rohrquerschnitt. (Fig. 3)
 - Halten Sie während der Entfernung der Grate das Ende des Kupferrohres nach unten, damit keine Späne in die Rohrleitung fallen.
- Entfernen Sie die an Innen- und Außengerät angebrachten Konusmuttern und bringen Sie sie nach dem vollständigen Entgraten am Rohr an. (Nach dem Kelchen können die Überwurfmuttern nicht mehr an den Rohren angebracht werden.)
- Kelchen (Fig. 4, 5). Achten Sie darauf, dass das Kupferrohr die in der Tabelle angegebenen Abmessungen einhält. Wählen Sie A mm aus der Tabelle in Übereinstimmung mit dem verwendeten Werkzeug.
 - Prüfen
 - Vergleichen Sie die Kelcharbeit mit Fig. 6.
 - Schneiden Sie den aufgeweiteten Bereich ab und führen Sie die Kelcharbeit nochmals aus, wenn Sie einen Fehler in der Kelchung finden.

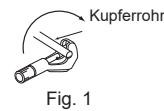


Fig. 1

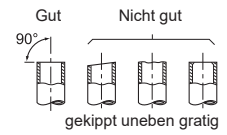


Fig. 2



Fig. 3

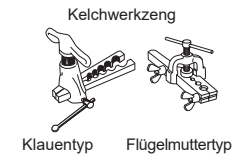


Fig. 4

Rohrdurchmesser (mm)	Mutter (mm)	A (mm)			Anzugsmoment	
		Klemmwerkzeug für R32, R410A	Klemmwerkzeug für R22	Flügelmutterwerkzeug für R22	N•m	kgf•cm
ø6,35 (1/4")	17	0 - 0,5	1,0 - 1,5	1,5 - 2,0	14 - 18	140 - 180
ø9,52 (3/8")	22			2,0 - 2,5	34 - 42	340 - 420
ø12,7 (1/2")	26			-	49 - 61	490 - 610
ø15,88 (5/8")	29			-	68 - 82	680 - 820

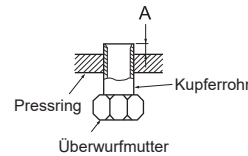


Fig. 5



Fig. 6

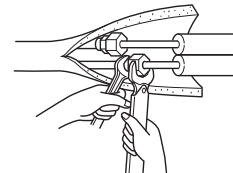
3-2. ROHRVERBINDUNG

- Ziehen Sie die Konusmuttern mit einem Drehmomentschlüssel gemäß den Angaben in der Tabelle fest.
- Wenn eine Konusmutter zu fest angezogen wird, kann sie nach längerer Zeit bersten und das Austreten von Kältemittel verursachen.
- Sicherstellen, dass die Rohrführung isoliert ist. Direkter Kontakt mit der blanken Rohrführung kann zu Verbrennungen oder Erfrierung führen.

Anschließen des Innengeräts

Schließen Sie das Flüssigkeitsrohr und das Gasrohr am Innengerät an.

- Tragen Sie kein Kältemaschinenöl auf die Schraubengewinde auf. Zu starkes Anziehen der Schrauben kann diese beschädigen.
- Zum Anschließen zunächst die Mitte ausrichten, dann die Konusmutter mit den ersten 3 bis 4 Umdrehungen von Hand anziehen.
- Halten Sie die in der obigen Tabelle aufgeführten Anzugsmomente für die Rohrverbindungen des Innengeräts ein, und verwenden Sie für das Festziehen zwei Schlüssel. Ziehen Sie sie nicht zu fest an, da sonst der Kelchabschnitt beschädigt werden kann.



⚠️ WARNUNG

Schließen Sie die Kältemittelleitungen beim Installieren des Geräts fest an, bevor Sie den Kompressor einschalten.

⚠️ WARNUNG

Wiederverwendbare mechanische Steckverbinder und Kelchverbindungen sind in Gebäuden nicht zugelassen. Wenn der Anschluss der Kältemittelverrohrung durch Löten erfolgt, anstelle der Verwendung von Kelchanschlüssen, schließen Sie alle Lötarbeiten ab, bevor Sie das Innengerät an das Außengerät anschließen.

4. TESTLAUF

4-1. TESTLAUF

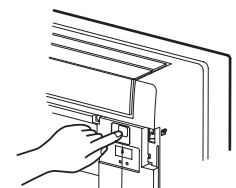
Stellen Sie sicher, dass Folgendes durchgeführt wird.

- Die Blende ist korrekt befestigt.
 - Innen- und Außengerät sind korrekt montiert, und die Stromversorgung ist angeschlossen.
- Drücken Sie den Schalter E.O. SW einmal für KÜHLEN, und zweimal für HEIZEN. Der Testlauf dauert 30 Minuten. Untersuchen Sie das Innen-/Außengerät-Verbindungskabel (A) auf fehlerhafte Verkabelung, wenn die linke Lampe der Betriebsanzeige alle 0,5 Sekunden blinkt. Nach dem Testlauf startet der Notbetrieb (eingestellte Temperatur 24°C).
 - Um den Betrieb zu stoppen, drücken Sie die Taste E.O. SW mehrere Male, bis alle LED-Leuchten ausgelöscht sind. Weitere Einzelheiten entnehmen Sie bitte der Bedienungsanleitung.

Prüfen des (Infrarot-)Signalempfangs von der Fernbedienung

Drücken Sie die Taste ON/OFF auf der Fernbedienung (10) und achten Sie darauf, ob ein elektronischer Ton zu hören ist. Drücken Sie die Taste ON/OFF erneut, um die Klimaanlage auszuschalten.

- Sobald der Kompressor stoppt, wird die Startwiederholungssperre aktiv, so dass der Kompressor 3 Minuten lang nicht arbeitet, um die Klimateinheit zu schützen.



Emergency-Operation-Taste (E.O. SW)

4-2. AUTOMATISCHE STARTWIEDERHOLUNGSFUNKTION

Dieses Produkt ist mit einer automatischen Startwiederholungsfunktion ausgestattet. Wenn die Stromversorgung während des Betriebs etwa aufgrund eines Stromausfalls unterbrochen wird, wird automatisch der Betrieb mit den zuvor gewählten Einstellungen wiederaufgenommen, sobald die Stromversorgung wieder einsetzt. (Weitere Einzelheiten entnehmen Sie bitte der Bedienungsanleitung.)

Vorsicht:

- Schalten Sie nach dem Testlauf oder dem Prüfen des Fernbedienungs-Signalempfangs das Gerät über die Taste E.O. SW oder die Fernbedienung aus, bevor Sie die Stromversorgung ausschalten. Ansonsten startet die Einheit automatisch mit dem Betrieb, wenn die Stromversorgung wieder einsetzt.

Für den Benutzer

- Erklären Sie nach der Installation der Einheit dem Benutzer die automatische Startwiederholungsfunktion.
- Falls die automatische Startwiederholungsfunktion nicht benötigt wird, kann sie deaktiviert werden. Wenden Sie sich an den Servicevertreter, um die Funktion deaktivieren zu lassen. Weitere Einzelheiten entnehmen Sie bitte der Bedienungsanleitung.

4-3. ERLÄUTERUNGEN FÜR DEN BENUTZER

- Erklären Sie dem Benutzer unter Verwendung der BEDIENUNGSANLEITUNG, wie das Klimagerät verwendet wird (wie die Fernbedienung verwendet wird, wie die Luftfilter entfernt werden, wie die Fernbedienung aus dem Fernbedienungshalter entnommen und wieder eingesetzt wird, wie das Gerät gereinigt wird, welche Vorsichtsmaßnahmen zu beachten sind, usw.)
- Empfehlen Sie dem Benutzer, die BEDIENUNGSANLEITUNG sorgfältig zu lesen.

5. LEERPUMPEN

Beachten Sie die Anweisungen in der Installationsanleitung des Außengerätes.

WARNUNG

Wenn der Kältemittelkreislauf ein Leck aufweist, nicht mit dem Kompressor abpumpen. Beim Auspumpen des Kältemittels, schalten Sie den Kompressor ab, bevor die Kältemittelleitungen getrennt werden. Der Kompressor kann zerplatzen, wenn Luft etc. eindringt.

TABLE DES MATIERES

1. AVANT L'INSTALLATION	1
2. INSTALLATION DE L'UNITÉ INTERNE	4
3. RACCORDS A EVASEMENT, RACCORDS DE TUYAUTERIE	8
4. ESSAI DE FONCTIONNEMENT	8
5. PURGE.....	9

Les noms des modèles sont indiqués dans la section 1-3.





La présente notice d'installation concerne uniquement l'unité interne. Reportez-vous au manuel d'installation de l'unité externe pour installer des unités externes.

Outils nécessaires à l'installation

Tournevis Phillips	Outil d'évasement pour le modèle R32, R410A
Niveau	Tubulure de jauge pour le modèle R32, R410A
Règle graduée	Pompe à vide pour le modèle R32, R410A
Couteau tout usage ou paire de ciseaux	Tuyau de charge pour le modèle R32, R410A
Scie-cloche de 75 mm	Coupe-tuyau avec alésoir
Clé dynamométrique	Bouteille d'eau
Clé à ouverture fixe (ou clé simple)	0,9 à 1,0 l d'eau

1. AVANT L'INSTALLATION

SIGNIFICATION DES SYMBOLES AFFICHÉS SUR L'UNITÉ INTERNE ET/OU SUR L'UNITÉ EXTERNE

	AVERTISSEMENT (Risque d'incendie)	Cette unité utilise un réfrigérant inflammable. Si le réfrigérant fuit et entre en contact avec une flamme ou une pièce chaude, il produira un gaz toxique et un incendie risque de se déclencher.
		Veillez lire la NOTICE D'UTILISATION avec soin avant utilisation.
		Le personnel d'entretien est tenu de lire avec soin la NOTICE D'UTILISATION et le MANUEL D'INSTALLATION avant utilisation.
		De plus amples informations sont disponibles dans la NOTICE D'UTILISATION, le MANUEL D'INSTALLATION et documents similaires.

1-1. INSTRUCTIONS A RESPECTER A TOUT MOMENT PAR MESURE DE SECURITE

- Veuillez lire les "INSTRUCTIONS A RESPECTER A TOUT MOMENT PAR MESURE DE SECURITE" avant de procéder à l'installation du climatiseur.
- Veuillez respecter scrupuleusement les mises en garde contenues dans cette notice car elles concernent des points essentiels à la sécurité.
- Après avoir lu la présente notice, veuillez la conserver avec les INSTRUCTIONS DE FONCTIONNEMENT de l'appareil pour pouvoir la consulter ultérieurement.

⚠ AVERTISSEMENT (Peut entraîner la mort, des blessures graves, etc.)

- **N'installez jamais l'unité seul (utilisateur).**
Une installation incomplète peut être à l'origine d'un incendie, d'une électrocution, de blessures suite à la chute de l'appareil ou de fuites d'eau. Consulter un revendeur local ou un installateur agréé.
- **Exécuter les travaux d'installation en toute sécurité conformément aux instructions de la notice d'installation.**
Une installation incomplète peut être à l'origine d'un incendie, d'une électrocution, de blessures suite à la chute de l'appareil ou de fuites d'eau.
- **Lors de l'installation de l'appareil, utiliser l'équipement de protection et les outils adéquats, par mesure de sécurité.**
Le non-respect de ces recommandations peut être à l'origine de blessures.
- **Par mesure de sécurité, installer l'appareil dans un endroit capable de supporter son poids.**
Si l'appareil est installé dans un endroit incapable de supporter son poids, il pourrait tomber et blesser quelqu'un.
- **Tout travail sur le système électrique doit être exécuté par un électricien qualifié et expérimenté conformément au manuel d'installation. Veiller à utiliser un circuit exclusif. Ne raccorder aucun autre appareil électrique sur le circuit du climatiseur.**
Un circuit électrique de capacité insuffisante ou une installation incorrecte peuvent être à l'origine d'un incendie ou d'une électrocution.
- **Raccordez correctement l'unité à la terre.**
Ne pas raccorder le câble de terre à un tuyau de gaz, une conduite d'eau, un paratonnerre ou le câble de terre d'un téléphone. Une mise à la terre défectueuse pourrait entraîner un risque d'électrocution.
- **Pour éviter toute détérioration, veillez à ce que les pièces et les vis n'exercent pas de pression excessive sur les câbles.**
Des fils endommagés pourraient provoquer un incendie ou une électrocution.
- **Toujours couper l'alimentation principale lors de l'installation de la carte à circuits imprimés du panneau de commande de l'unité interne ou lors d'une intervention sur le câblage électrique.**
Le non-respect de ces recommandations peut être à l'origine d'une électrocution.
- **Utiliser les câbles spécifiés pour raccorder en toute sécurité les unités interne et externe et fixer les câbles solidement aux sections de raccordement des blocs de sorties de façon à ce qu'ils n'exercent aucune pression sur les sections de raccordement. Ne pas prolonger les fils ni utiliser de connexion intermédiaire.**
Un branchement incomplet et non sécurisé peut provoquer un incendie.
- **Ne pas installer l'appareil dans un endroit exposé à des fuites de gaz inflammable.**
La fuite et l'accumulation de gaz autour de l'appareil peut entraîner des risques d'explosion.
- **Ne pas utiliser de raccord intermédiaire ou de rallonge pour brancher le cordon d'alimentation et ne pas brancher plusieurs appareils à une même prise secteur.**
Un mauvais contact, une isolation insuffisante, un courant trop fort, etc. peuvent entraîner des risques d'incendie ou d'électrocution, etc.
- **Veiller à utiliser les pièces fournies ou spécifiées dans la notice lors des travaux d'installation.**
L'utilisation de pièces défectueuses peut être à l'origine de blessures corporelles ou d'une fuite d'eau suite à un incendie, une électrocution, la chute de l'appareil, etc.
- **Au moment de brancher la fiche d'alimentation dans la prise secteur, veiller à dépoussiérer et nettoyer la fiche et la prise en contrôlant qu'aucun élément n'est desserré. S'assurer que la fiche d'alimentation est enfoncée à fond dans la prise secteur.**
La présence de poussière, de saleté ou d'éléments desserrés dans la fiche d'alimentation ou la prise secteur peut être à l'origine d'une électrocution ou d'un incendie. Contrôler la fiche d'alimentation et remplacer les éléments desserrés éventuels.
- **Fixer correctement le couvercle du boîtier électrique de l'unité interne et le panneau de service de l'unité externe.**
Si le couvercle du boîtier électrique de l'unité interne et/ou le panneau de service de l'unité externe sont mal fixés, ils risquent de provoquer un incendie ou une électrocution en raison de la poussière, de l'eau, etc. présentes dans le circuit.
- **Lors de l'installation, du déplacement ou de l'entretien de l'appareil, veiller à ce qu'aucune substance autre que le réfrigérant spécifié (R32/R410A) ne pénètre dans le circuit de réfrigération.**
La présence d'une substance étrangère, comme de l'air dans le circuit, peut provoquer une augmentation anormale de la pression et causer une explosion, voire des blessures. L'utilisation de réfrigérant autre que celui qui est spécifié pour le système provoquera une défaillance mécanique, un mauvais fonctionnement du système, ou une panne de l'appareil. Dans le pire des cas, la sécurité du produit pourrait être gravement mise en danger.
- **Ne pas modifier l'unité.**
Cela pourrait provoquer un risque d'incendie, d'électrocution, de blessure ou de fuite d'eau.
- **Ne libérez pas le réfrigérant dans l'atmosphère. En cas de fuite de réfrigérant pendant l'installation, aérez la pièce. A la fin de l'installation, aucune fuite de réfrigérant ne doit être présente sur le circuit.**
Si le réfrigérant fuit et entre en contact avec une flamme ou une pièce chaude comme un radiateur-ventilateur, un chauffage au kérosène ou une cuisinière, il produira un gaz toxique. Fournissez une ventilation adéquate en accord avec la norme EN378-1.
- **Utiliser les outils et l'équipement de tuyauterie adaptés à l'installation.**
La pression du réfrigérant R32/R410A est 1,6 fois supérieure à celle du R22. L'utilisation d'outils ou d'équipements inadaptés et une installation incomplète peuvent provoquer l'éclatement des tuyaux et blesser quelqu'un.
- **Lorsque le circuit de réfrigération présente une fuite, ne pas purger à l'aide du compresseur. Pendant l'opération d'aspiration du réfrigérant, arrêter le compresseur avant de débrancher les tuyaux de réfrigérant.**
Si les tuyaux de réfrigérant sont débranchés avant l'arrêt du compresseur et si le robinet d'arrêt est ouvert, de l'air pourrait être aspiré et la pression du cycle de réfrigération pourrait monter de façon anormale. Les tuyaux pourraient éclater et blesser quelqu'un.
- **Poser un disjoncteur de fuites à la terre selon l'endroit où le climatiseur sera monté.**
L'absence d'un disjoncteur de fuites à la terre peut entraîner des risques d'électrocution.
- **Pendant l'installation de l'appareil, brancher correctement les tuyaux de réfrigérant avant de lancer le compresseur.**
Si le compresseur démarre avant le branchement des tuyaux de réfrigérant et si le robinet d'arrêt est ouvert, de l'air pourrait être aspiré et la pression du cycle de réfrigération pourrait monter de façon anormale. Les tuyaux pourraient éclater et blesser quelqu'un.
- **Fixer un écrou évasé avec une clé dynamométrique comme indiqué dans cette notice.**
Si l'écrou évasé est trop serré, il pourrait se rompre au bout de plusieurs années et provoquer une fuite de réfrigérant.
- **L'installation de l'appareil doit être conforme aux normes électriques nationales.**
- **Lorsque vous utilisez un brûleur à gaz ou un autre appareil produisant des flammes, extrayez complètement le réfrigérant du climatiseur et veillez à ce que la zone soit bien ventilée.**
Si le réfrigérant fuit et entre en contact avec une flamme ou une pièce chaude, il produira un gaz toxique et un incendie risque de se déclencher.
- **Ne faites usage d'aucun moyen visant à accélérer le processus de dégivrage ou à nettoyer autre que ceux recommandés par le fabricant.**
- **L'appareil doit être rangé dans une pièce ne contenant aucune source d'allumage continue (exemple : flammes nues, appareil à gaz ou chauffage électrique).**
- **Ne percez pas et ne brûlez pas l'appareil.**
- **Sachez que les réfrigérants peuvent être inodores.**
- **La tuyauterie doit être protégée contre tout dommage physique.**
- **L'installation de tuyauterie doit être limitée au strict minimum.**
- **Les réglementations nationales sur les gaz doivent être respectées.**
- **Gardez les ouvertures de ventilation libres d'obstruction.**
- **Tenir les appareils à gaz, les radiateurs électriques et autres sources d'incendie (sources d'inflammation) à l'écart des lieux où l'installation, les réparations et autres travaux sur le climatiseur seront effectués.**
- **L'appareil sera stocké dans une zone bien ventilée ou la taille des pièces correspond à la surface des pièces spécifiée pour le fonctionnement.**
- **Ne coupez pas le disjoncteur sauf en cas d'odeur de brûlé ou lors des travaux de maintenance ou d'inspection.**
Le capteur de réfrigérant monté dans l'unité interne ne reçoit plus d'alimentation et ne peut pas détecter la fuite de réfrigérant. Ceci pourrait provoquer un incendie.
- **Fixez fermement le câble de connexion à l'emplacement indiqué.**
Une installation incorrecte risque d'être à l'origine d'un choc électrique, d'un incendie et/ou d'un dysfonctionnement.

⚠ PRECAUTION (Peut provoquer des blessures graves dans certains environnements si l'appareil n'est pas utilisé correctement.)

- **Réaliser les travaux de vidange/tuyauterie conformément aux instructions de la notice d'installation.**
Si les travaux de vidange/tuyauterie ne sont pas réalisés correctement, de l'eau pourrait s'écouler et endommager le mobilier qui se trouve sous l'appareil.
- **Ne pas installer l'unité externe à proximité de l'habitat d'animaux de petite taille.**
Si des animaux de petite taille pénètrent dans l'unité et entrent en contact avec les composants électriques, ils pourraient provoquer un dysfonctionnement, des émissions de fumée ou un incendie. Il convient également de conseiller à l'utilisateur de nettoyer régulièrement la périphérie de l'unité.
- **Ne pas installer l'unité dans un endroit où sont utilisés des appareils produisant de la fumée, des gaz ou utilisant des produits pharmaceutiques.**
Le capteur de réfrigérant monté dans l'unité interne peut réagir à ces substances et afficher une erreur de fuite de réfrigérant.
- **Ne touchez ni à l'entrée d'air ni aux ailettes en aluminium de l'unité externe.**
Risque de blessures.
- **Ne faites pas fonctionner le climatiseur pendant des travaux de construction et de finition intérieurs, ou lorsque vous cirez le sol.**
Avant d'utiliser le climatiseur, ventilez bien le local après exécution de ce type de travaux. Dans le cas contraire, des éléments volatils pourraient adhérer à l'intérieur du climatiseur et provoquer une fuite d'eau ou la formation de rosée.
- **Faites attention à la rotation du ventilateur lorsque le disjoncteur est activé.**
Lorsque le capteur de réfrigérant détecte la fuite de réfrigérant, le ventilateur démarre automatiquement. Risque de blessures.
- **Veillez porter un équipement de protection pour toucher la base de l'unité externe.**
Le non-respect du port de l'équipement de protection peut être à l'origine de blessures.
- **Lorsque vous utilisez un aérosol pour la construction intérieure, les travaux de finition ou le scellement d'une ouverture murale, coupez le disjoncteur et ventilez bien la pièce. Le capteur de réfrigérant peut réagir au gaz contenu dans les aérosols, ce qui peut provoquer une fausse détection.**

1-2. CHOIX DE L'EMPLACEMENT D'INSTALLATION

Cette notice ne décrit que l'installation de l'unité interne.
Pour l'installation de l'unité externe, se reporter à la notice d'installation de l'appareil.

UNITE INTERNE

⚠ ⚠ AVERTISSEMENT

Cet appareil doit être installé dans des pièces dont l'espace au sol est supérieur à celui indiqué dans le manuel d'installation de l'appareil extérieur.

- Consulter le manuel d'installation de l'appareil extérieur.

Les conditions suivantes doivent être présentes lors de l'installation des unités internes :

- Emplacement favorisant la circulation de l'air.
- Emplacement favorisant une bonne répartition de l'air froid (ou chaud) dans la pièce.
- Mur solide sans vibration.
- Emplacement ne favorisant pas une exposition aux rayons directs du soleil. Ne pas exposer aux rayons directs du soleil pendant la période entre le déballage et l'utilisation.
- Emplacement permettant d'effectuer facilement la vidange de l'appareil.
- Emplacement à une distance de 1 m minimum du téléviseur et du poste de radio. Le fonctionnement du climatiseur peut interférer avec la réception radio ou TV. Il peut s'avérer nécessaire de brancher un amplificateur sur l'appareil concerné.
- Emplacement aussi éloigné que possible des lampes fluorescentes et à lumière incandescente. Ceci afin que le climatiseur puisse capter les signaux infrarouges envoyés par la télécommande. La chaleur générée par ces lampes peut entraîner une déformation ou les ultraviolets peuvent entraîner une détérioration.
- Emplacement permettant de retirer et de changer facilement le filtre à air.
- Emplacement éloigné de sources de chaleur ou de vapeur.
- Ne pas installer l'unité dans un environnement où sont utilisés des appareils au gaz propane, butane ou méthane, des aérosols insecticides par exemple, des appareils générant de la fumée, des matériaux de revêtement et des médicaments, ou à un endroit où des gaz à base de soufre sont générés.
- Le capteur de réfrigérant monté dans l'unité interne peut réagir à ces substances et afficher une erreur de fuite de réfrigérant. Cela pourrait empêcher l'unité de fonctionner.

En cas de raccordement à une unité externe utilisant du réfrigérant R32, installer l'unité interne dans un local dont la surface au sol est égale ou supérieure à Amin, en fonction de la quantité de réfrigérant M (réfrigérant chargé en usine + réfrigérant ajouté sur site). Pour la quantité de réfrigérant et la charge de réfrigérant supplémentaire, se reporter à l'unité externe.

M [kg]	Amin [m ²]
1,00	Aucune exigence
1,10	
1,20	
1,30	
1,40	
1,50	
1,60	
1,70	
1,80	
1,84	
1,90	3,75
2,00	3,95
2,10	4,15
2,20	4,34
2,30	4,54
2,40	4,74

Consulter le manuel d'installation de l'unité externe pour la charge de réfrigérant.

TELECOMMANDE

Les conditions suivantes sont préférables pour ranger une télécommande :

- Emplacement dont l'accès est facile et visible.
- Emplacement hors de portée des enfants.
- Choisissez un emplacement se trouvant à 1,2 m au dessus du sol environ, assurez-vous que l'unité interne reçoit sans problème les signaux envoyés par la télécommande à partir de cet emplacement (un ou deux signaux sonores indiquent que la réception est bonne).

Remarque :

L'unité interne peut ne pas recevoir les signaux de la télécommande dans une pièce dont le système d'éclairage est à lampes fluorescentes à oscillateur intermittent.

Remarque :

Pour éviter tout problème de fonctionnement, évitez d'installer le climatiseur dans les endroits suivants :

- En présence de fuites de gaz inflammable.
- En présence d'une grande quantité d'huile de machine.
- Dans des endroits exposés à des projections d'huile ou dont l'atmosphère est chargée d'huile (tels que les centres de cuisson et les usines susceptibles de modifier et d'altérer les caractéristiques du plastique).
- Dans les régions où l'air est très salin, comme en bord de mer.
- En présence de gaz sulfurés qui se dégagent par exemple des sources chaudes ou des eaux usées.
- En présence d'équipements haute fréquence ou sans fil.
- En présence d'émissions importantes de COV (composés organiques volatiles), dont les composés de phtalate, le formaldéhyde etc., qui peuvent provoquer un craquage chimique.
- L'appareil sera entreposé de manière à prévenir tout dommage mécanique.

1-3. FICHE TECHNIQUE

Modèle	Alimentation *1		Caractéristiques des câbles *2 Câble de connexion de l'unité interne/externe	Taille des tuyaux (épaisseur *3, *4, *5, *6)		Épaisseur de l'isolation *7, *8
	Tension nominale	Fréquence		Gaz	Liquide	
MFZ-KT25VG	230 V	50 Hz	4 noyaux de 2,0 mm ²	ø9,52 mm (0,8 mm)	ø6,35 mm (0,8 mm)	14 mm
MFZ-KT35VG						
MFZ-KT50VG						
MFZ-KT60VG				ø15,88 mm (0,8 mm)		

*1 Raccordez à l'interrupteur d'alimentation qui présente un espace de 3 mm minimum lorsqu'il est en position ouverte pour interrompre la phase d'alimentation de la source. (Lorsque l'interrupteur d'alimentation est en position fermée, toutes les phases doivent être interrompues.)

*2 Utilisez des câbles conformes au modèle 60245 IEC 57.

*3 N'utilisez jamais des tuyaux dont l'épaisseur est inférieure à celle recommandée. Leur résistance à la pression serait insuffisante.

*4 Utilisez un tuyau en cuivre ou en alliage de cuivre sans soudure.

*5 Veillez à ne pas écraser ou tordre le tuyau lors du cintrage.

*6 Le rayon du cintrage d'un tuyau de réfrigérant doit être de 100 mm minimum.

*7 Matériau d'isolation : mousse plastique résistante à la chaleur d'une densité de 0,045

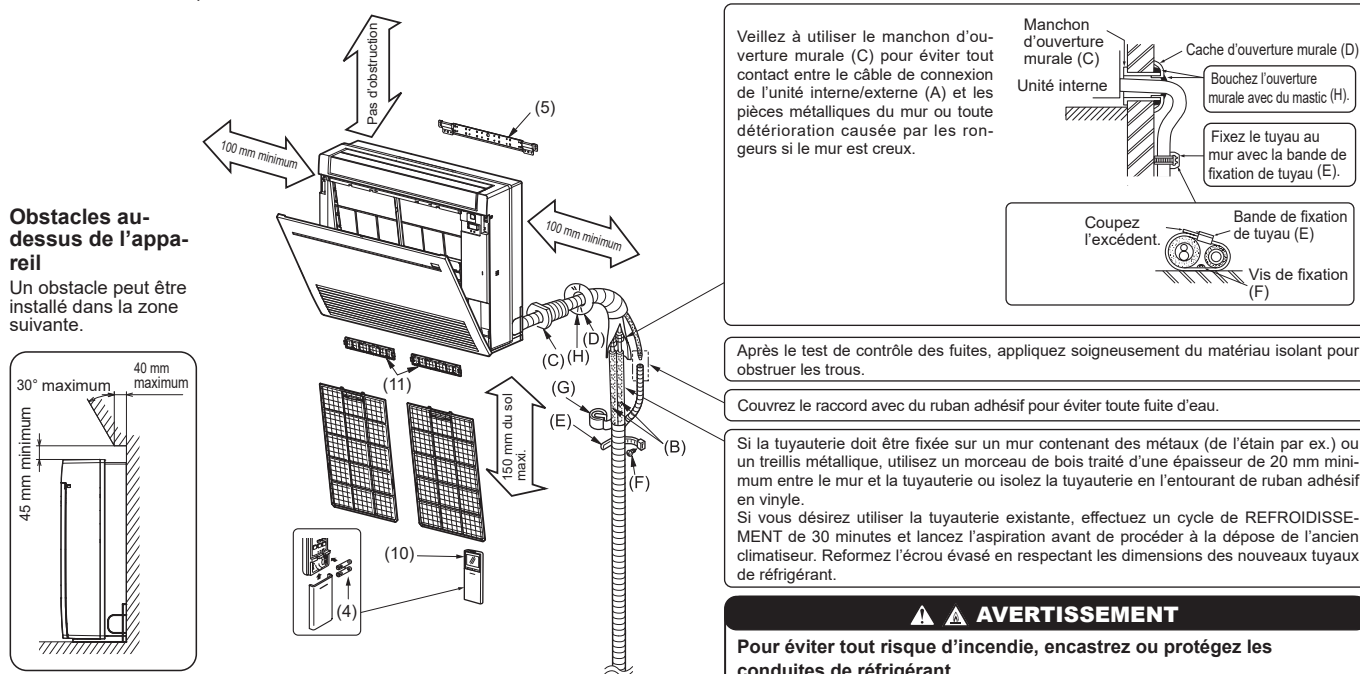
*8 Utilisez toujours un matériau isolant de l'épaisseur spécifiée. Une isolation trop épaisse pourrait être à l'origine d'une installation incorrecte de l'unité interne alors qu'une isolation trop fine pourrait provoquer des fuites.

1-4. SCHEMA D'INSTALLATION

Pour l'installation d'unités externes, reportez-vous au manuel d'installation de l'unité externe.

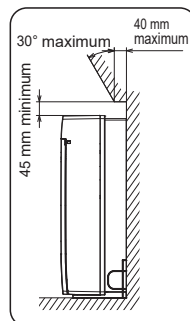
Le tableau des spécifications de tuyauterie n'indique pas de longueur de ligne minimum. Cependant, les unités internes dont la longueur de tuyauterie connectée est inférieure à 3 m pourraient produire un bruit intermittent pendant le fonctionnement normal du système dans des environnements très calmes.

Tenez compte de cette information importante lors de l'installation et du positionnement de l'unité interne dans l'espace climatisé.



Obstacles au-dessus de l'appareil

Un obstacle peut être installé dans la zone suivante.



Ces unités doivent être installés par des entrepreneurs agréés conformément aux réglementations locales en vigueur.

ACCESSOIRES

Vérifier les pièces suivantes avant l'installation.

(1) Tuyau de vidange*	1
(2) Gaine du tuyau	1
(3) Collier	2
(4) Pile (AAA) pour (10)	2
(5) Support de fixation de l'appareil intérieur	1
(6) Vis de fixation pour (5) 4 x 25 mm	5
(7) Vis à bois pour la fixation de l'appareil intérieur	4
(8) Rondelle de (7)	4
(9) Bande de feutre (Utilisée pour la tuyauterie côté gauche ou arrière gauche)	1
(10) Télécommande sans fil	1
(11) Filtre d'épuration d'air	2
(12) Tuyau de raccordement (KT60 uniquement)	1
(13) Gaine isolante pour tuyau de raccordement (KT60 uniquement)	1
(14) Étiquette du disjoncteur	1
(15) Notice du disjoncteur	1

* Remarque :

Le tuyau de vidange est raccordé à l'appareil.

PIECES A FOURNIR AU LOCAL D'INSTALLATION

(A) Câble de connexion de l'unité interne/externe*	1
(B) Tuyau télescopique	1
(C) Manchon d'ouverture murale	1
(D) Cache d'ouverture murale	1
(E) Bande de fixation de tuyau	2 - 5
(F) Vis de fixation pour (E) 4 x 20 mm	2 - 5
(G) Ruban adhésif de tuyauterie	1
(H) Mastic	1
(J) Tuyau de vidange (ou tuyau en PVC souple, 15 mm de diamètre intérieur ou tuyau en PVC dur VP16)	1 ou 2
(K) Cordon d'alimentation*	1
(L) Bande (connexion d'interface Wi-Fi uniquement)	2

* Remarque :

Placez le câble de connexion de l'unité intérieur/externe (A) et le cordon d'alimentation (K) à 1 m minimum du câble de l'antenne TV.

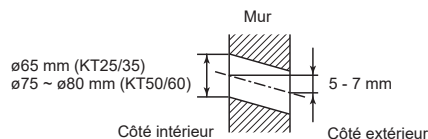
2. INSTALLATION DE L'UNITE INTERNE

2-1. INSTALLATION DU SUPPORT DE FIXATION DE L'UNITE INTERNE

- Ne pas installer l'unité interne à une hauteur supérieure à 150 mm.
- Repérez un matériau de structure (comme un goujon) dans le mur et fixez le support (5) horizontalement à l'aide de vis de fixation (6).
- Pour éviter toute vibration du support (5), veillez à installer les vis de fixation dans les trous indiqués sur l'illustration. Pour obtenir un support supplémentaire, vous pouvez également poser des vis de fixation dans d'autres trous.

2-2. PERCEMENT D'UNE OUVERTURE

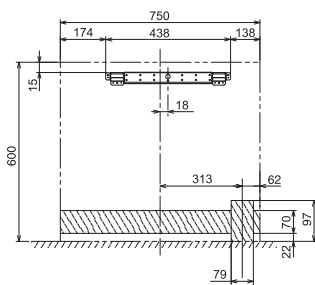
- 1) Déterminer la position de l'ouverture murale.
- 2) Percer un trou de 65 mm de diamètre (dia. 75 ~ 80 mm pour le modèle KT50/60). Le côté extérieur doit être 5 à 7 mm plus bas que le côté intérieur.
- 3) Insérer le manchon d'ouverture murale (C).



POSITIONNEMENT DES TROUS

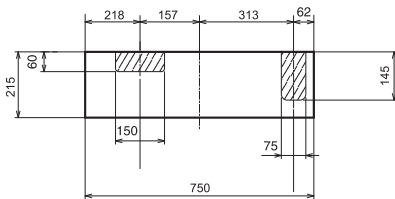
POUR LA TUYAUTERIE COTE GAUCHE OU ARRIERE GAUCHE

(Le schéma suivant représente une vue de face de l'emplacement d'installation de l'appareil intérieur.)

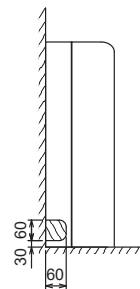


POUR LA TUYAUTERIE INCLINEE VERS LE BAS COTE DROIT OU GAUCHE

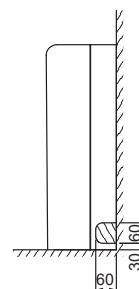
(Le schéma suivant présente une vue plongeante de la partie inférieure de l'appareil intérieur.)



POUR LA TUYAUTERIE COTE GAUCHE



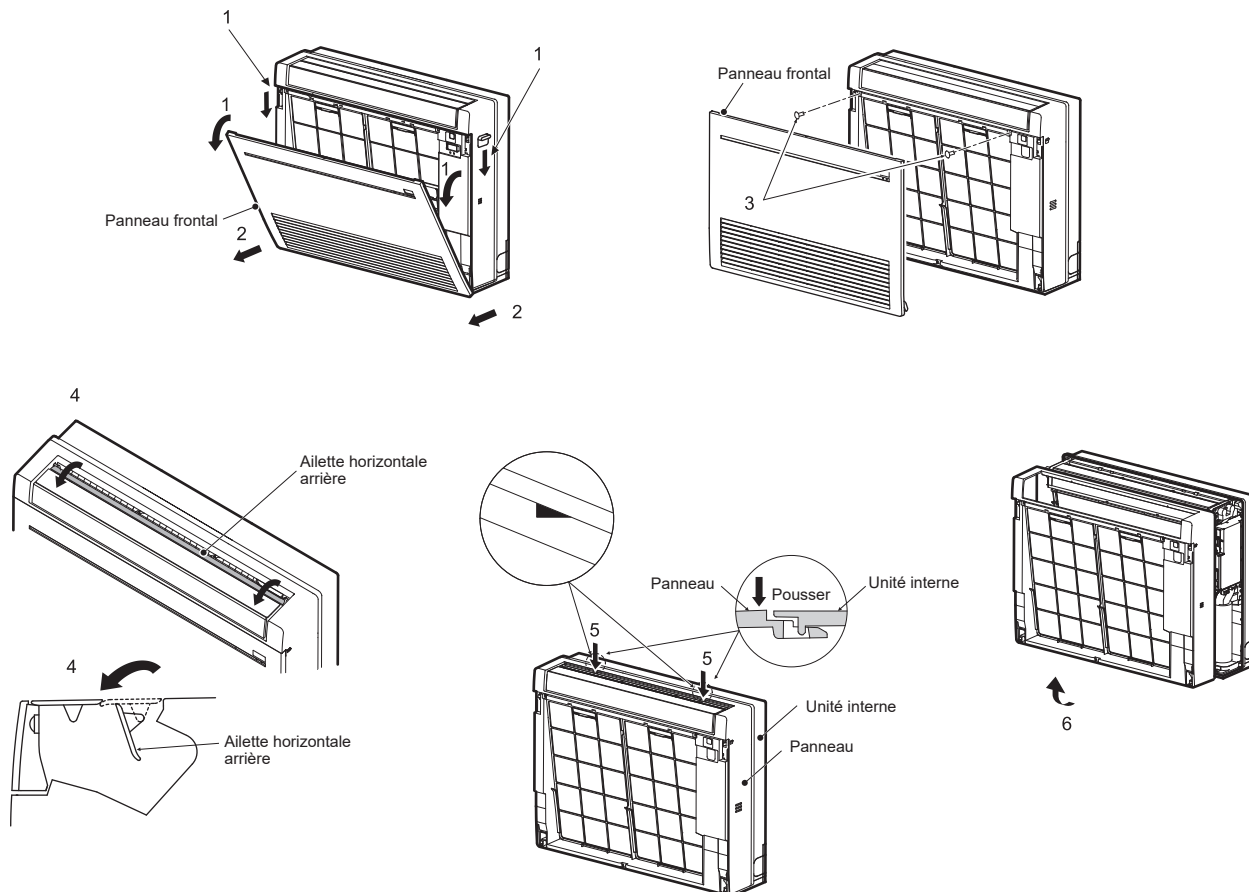
POUR LA TUYAUTERIE COTE DROIT



2-3. PREPARATION DE L'APPAREIL INTERIEUR

Déposez le panneau frontal de l'unité intérieure.

- 1) Poussez vers le bas l'attache des deux côtés de l'unité pour ouvrir le panneau avant.
- 2) Tirez le panneau avant vers vous pour le déposer.
- 3) Retirez les 2 vis.
- 4) Ouvrez l'ailette horizontale arrière.
- 5) Appuyez sur les 2 zones du haut du panneau puis tirez la partie supérieure du panneau vers vous.
- 6) Soulevez (légèrement) le panneau pour le dégager.



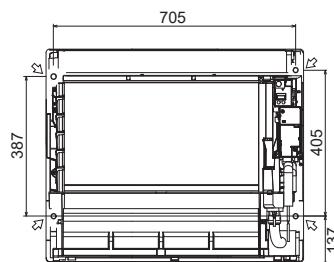
2-4. INSTALLATION DE L'APPAREIL INTERIEUR

2-4-1. INSTALLATION DE L'APPAREIL INTERIEUR SUR LE SOL

- 1) Placez l'appareil intérieur sur un sol plat.
- 2) Fixez l'appareil intérieur en 4 points à l'aide des vis à bois (7) et des rondelles (8) fournies. Serrez fermement les vis.

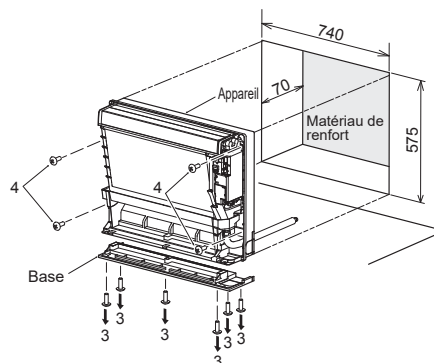
2-4-2. INSTALLATION DE L'APPAREIL INTERIEUR SUR LE MUR

- 1) Fixez le haut de l'appareil intérieur sur le support de fixation (5) qui lui est réservé.
- 2) Fixez l'appareil intérieur en 4 points à l'aide des vis à bois (7) et des rondelles (8) fournies. Serrez fermement les vis.



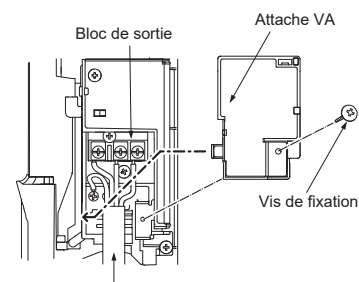
2-4-3. ENCASTREMENT DE L'APPAREIL INTERIEUR DANS UN MUR

- 1) Percez un trou dans le mur.
- 2) Réglez la profondeur à l'aide de matériau de renfort.
- 3) Retirez les 6 vis qui fixent la base à l'appareil. Retirez la base de l'appareil.
- 4) Fixez l'appareil intérieur en 4 points à l'aide des vis à bois (7) et des rondelles (8) fournies. Serrez fermement les vis.

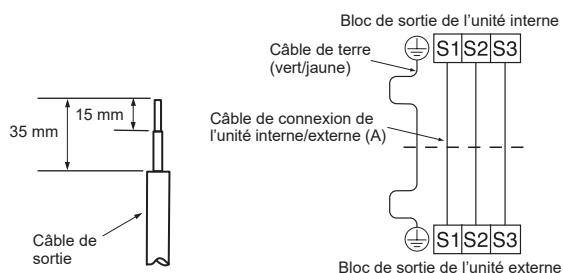


2-5. RACCORDEMENT DES CABLES DE L'UNITÉ INTERNE

- 1) Retirez l'attache VA.
- 2) Passez le câble de connexion de l'unité interne/externe (A) depuis l'arrière de l'unité interne et préparez l'extrémité du câble.
- 3) Desserrer la vis de fixation des bornes, raccorder d'abord le câble de terre, puis le câble de connexion de l'unité interne/externe (A) au bloc de sortie. Veiller à ne pas effectuer d'erreur de branchement. Fixer fermement le câble au bloc de sortie pour ne faire apparaître aucune partie de son noyau et n'appliquer aucune force extérieure à la section de raccordement du bloc de sortie.
- 4) Serrer fermement les vis de fixation des bornes afin d'éviter tout faux contact. Après l'opération de serrage, tirer légèrement sur les câbles pour s'assurer qu'ils sont bien fixés.
- 5) Fixez le câble de connexion de l'appareil intérieur/extérieur (A) et le câble de terre à l'aide de l'attache VA. N'oubliez jamais d'accrocher la griffe gauche de l'attache VA. Fixez fermement l'attache VA.



Câble de connexion de l'unité interne/externe (A)



- Veiller à ce que le câble de terre soit un peu plus long que les autres câbles. (45 mm minimum)
- Prévoir une longueur de câble de connexion supplémentaire en vue d'entretiens ultérieurs.
- Ne pas plier l'excédent de fil, ne pas l'entasser dans un petit espace. Attention à ne pas endommager les fils.
- Veiller à fixer chaque vis dans la borne correspondante lors de la fixation du cordon et/ou du câble au bloc de raccordement.

⚠ AVERTISSEMENT

Pendant l'installation de l'appareil, branchez correctement les tuyaux de réfrigérant avant de lancer le compresseur.

2-6. CINTRAGE ET INSTALLATION DE LA TUYAUTERIE

Remarque : Voir point 3. RACCORDS A EVASEMENT, RACCORDS DE TUYAUTERIE.

Cintrage de la tuyauterie

- Acheminez le tuyau de vidange en diagonale sous les tuyaux de connexion.
- Veillez à ce que le tuyau de vidange ne soit pas acheminé vers le haut et que le tuyau n'ondule pas.
- Ne tirez pas le tuyau de vidange, puis enroulez du ruban autour.
- Acheminez la tuyauterie de sorte qu'elle ne dépasse pas de l'arrière de l'appareil intérieur (Consultez le schéma de droite.)

Installation de la tuyauterie de connexion

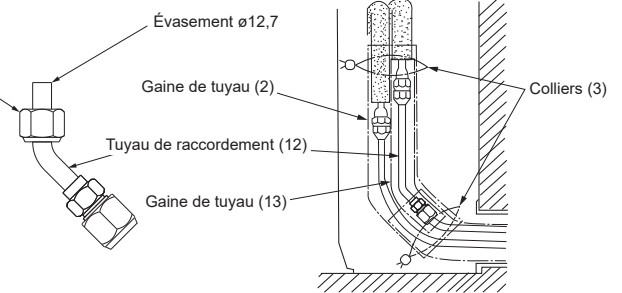
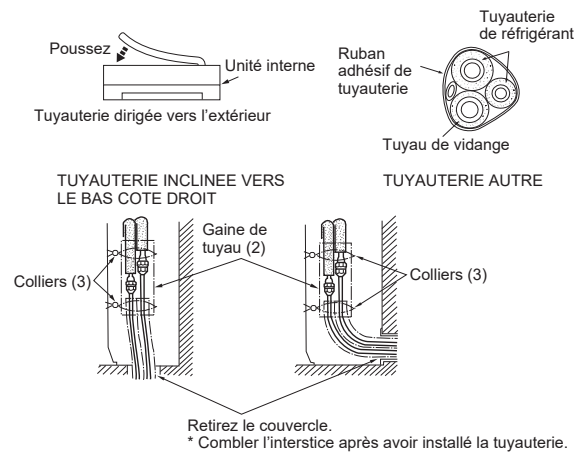
- Installez les tuyaux de connexion de façon à ce qu'ils puissent bouger légèrement vers l'avant, l'arrière, la gauche et la droite.
- Lorsque le cache est retiré, veillez à couvrir les tuyaux de manière qu'aucun tuyau ne soit exposé à l'environnement du local après installation.
- Comblent l'interstice après avoir installé la tuyauterie.

- Veillez à isoler les tuyaux de connexion de manière qu'ils n'entrent pas en contact avec le panneau.
- Veillez à ne pas écraser les tuyaux de connexion en les pliant.

Pour MFZ-KT60

- Veillez à utiliser le tuyau de raccordement (12), sinon il est impossible de fixer le tuyau d'extension de $\varnothing 15,88$.
- Évasez le tuyau de raccordement (12) à $\varnothing 12,7$ et fixez la gaine isolante (13).

Utilisez l'écrin évasé fixé à l'unité.
Faites attention à la direction des écrous.



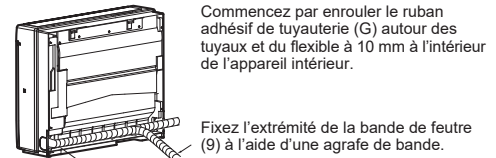
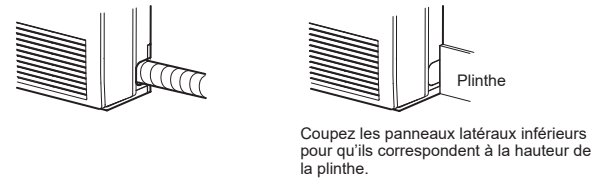
POUR LA TUYAUTERIE COTE GAUCHE OU ARRIERE GAUCHE

Attachez les tuyaux de connexion et le tuyau de vidange ensemble, puis entourez-les d'une bande de feutre (9).

Coupez et utilisez les panneaux latéraux inférieurs sur les côtés gauche et droit de l'appareil intérieur comme indiqué ci-dessous.

Limez les bords coupés des panneaux latéraux pour éviter qu'ils endommagent le revêtement isolant.

- Pour la tuyauterie côté gauche ou côté droit
- Pose d'un dispositif de vidange contre un mur avec plinthe



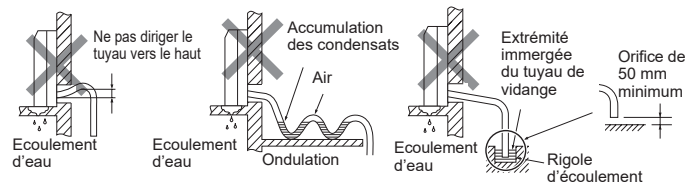
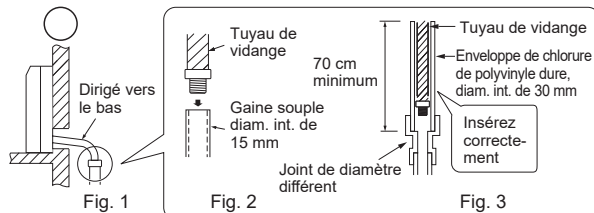
Enroulez la bande de feutre (9) fermement autour des tuyaux et du flexible en commençant à partir de l'appareil intérieur. (La largeur de chevauchement de la bande de feutre (9) ne doit pas dépasser 1/2 de la largeur totale de la bande.)

Veillez à ce que le tuyau de vidange ne soit pas acheminé vers le haut.

2-7. TUYAUTERIE DE VIDANGE

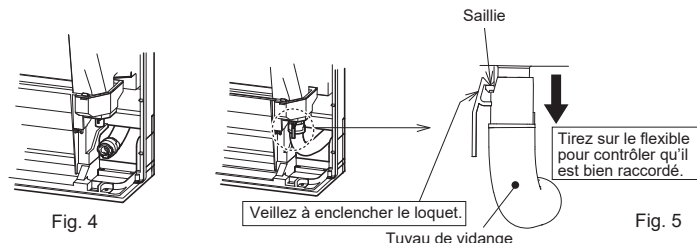
- Si la rallonge du tuyau de vidange doit traverser une pièce, veillez à l'envelopper d'un isolant disponible dans le commerce.
- Le tuyau de vidange doit être dirigé vers le bas pour faciliter l'écoulement. (Fig. 1)
- Si le tuyau de vidange fourni avec l'unité interne est trop court, connectez-le au tuyau de vidange (J) se trouvant dans le local d'installation. (Fig. 2)
- Utilisez du ruban adhésif ou autre pour sceller la connexion entre le flexible de vidange du produit et la rallonge du tuyau de vidange (16 mm de diamètre interne) (J).
- Lors du raccordement du tuyau de vidange à l'enveloppe de chlorure de polyvinyle dure, veillez à l'insérer correctement dans l'enveloppe. (Fig. 3)

Les exemples d'installation de la tuyauterie de vidange illustrés ci-dessous sont à éviter.



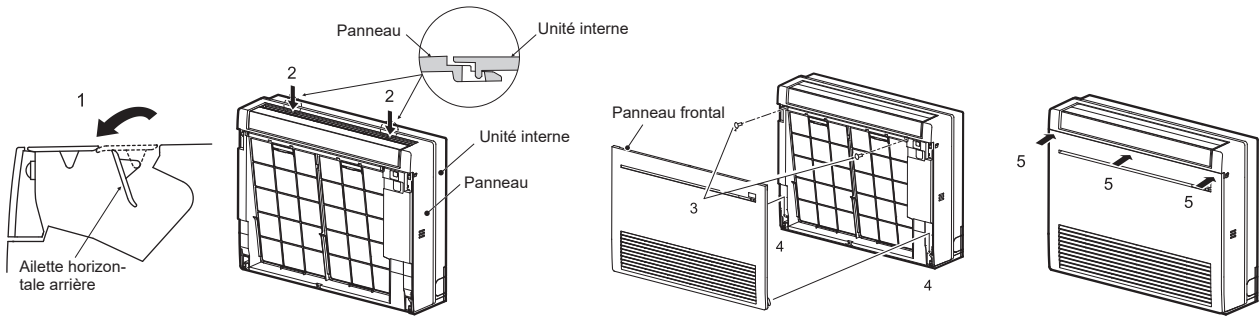
Le tuyau de vidange est déposé lors de l'installation.

- Lors de l'acheminement de la tuyauterie de vidange, veillez à acheminer le tuyau de vidange (1) comme indiqué. (Fig. 4)
 - Insérez complètement le tuyau de vidange dans le fond du bac de vidange (connexion terminale). (Fig. 5)
- Veillez à ce que le loquet du tuyau de vidange soit solidement accroché sur la saillie du raccord de tuyau du bac de vidange.
- Après avoir raccordé le flexible de drainage, n'oubliez pas de tirer sur le flexible pour contrôler qu'il est bien raccordé.



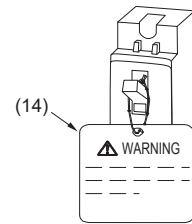
2-8. INSTALLATION DU PANNEAU FRONTAL

- 1) Ouvrez l'ailette horizontale arrière.
- 2) Fixez le panneau. Vérifiez que les loquets sont engagés.
- 3) Fixez le panneau à l'aide de vis.
- 4) Insérez la partie inférieure du panneau frontal.
- 5) Appuyez sur la partie supérieure du panneau frontal en 3 emplacements pour la fermer.



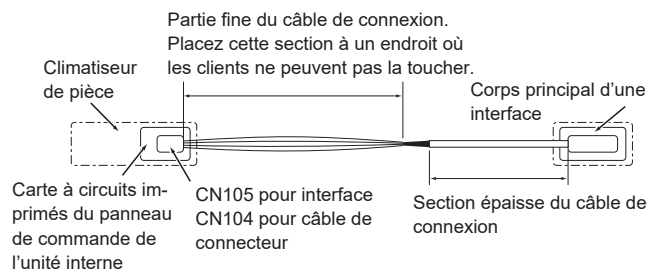
2-9. FIXATION DE L'ÉTIQUETTE ET EXPLICATION

Le disjoncteur doit toujours être sous tension, sauf lors des entretiens et inspections. Accrochez l'étiquette fournie (14) ou (15) sur le disjoncteur et expliquez-la aux clients. Lorsque le disjoncteur est désactivé, le capteur de réfrigérant installé dans l'unité interne n'est plus alimenté et ne peut pas détecter les fuites de réfrigérant. Remarque : Lorsque les câblages d'alimentation de l'unité interne et de l'unité externe sont séparés, accrochez l'étiquette fournie (14) ou (15) au disjoncteur de l'unité interne et expliquez-la aux clients.

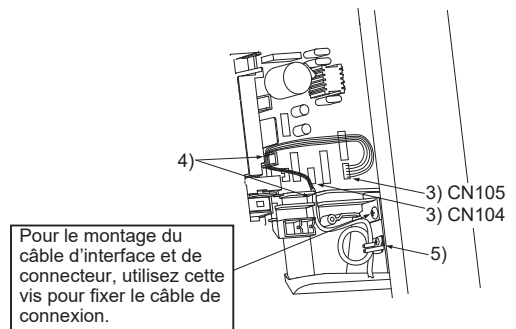


2-10. RACCORDEMENT D'UN CÂBLE D'INTERFACE (option)/CÂBLE DE CONNECTEUR (option) AU CLIMATISEUR

- A l'aide d'un câble de connexion, connectez un câble d'interface/de connexion à la carte à circuits imprimés du panneau de commande de l'appareil intérieur d'un climatiseur.
- Une coupure ou une extension du câble de connexion du câble d'interface/de connecteur provoquera des défauts de connexion. Ne groupez pas le câble de connexion avec le cordon d'alimentation électrique, le câble de connexion de l'unité interne/externe, et/ou le câble de mise à la terre. Eloignez autant que possible le câble de connexion de ces câbles.
- La section fine du câble de connexion doit être stockée et placée à un endroit où les clients ne peuvent pas la toucher.



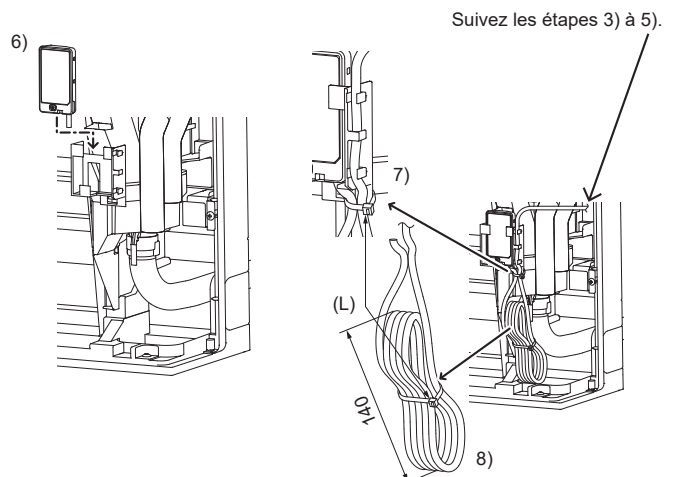
- 1) Retirez le panneau.
- 2) Ouvrez le couvercle de la carte à circuits imprimés du panneau de commande de l'unité interne.
- 3) Raccordez le câble de connexion au point CN105 et/ou CN104 de la carte à circuits imprimés du panneau de commande de l'appareil intérieur.
- 4) Acheminez le câble de connexion via le point illustré.
- 5) Fixez le serre-câble fourni avec le câble d'interface/de connecteur sur la section épaisse du câble de connexion à l'aide d'une vis de 4 × 16, comme illustré.
- 6) Fermez le couvercle de la carte à circuits imprimés du panneau de commande de l'unité interne. Veillez à ne pas coincer la section fine du câble de connexion avec le couvercle. Réinstallez le panneau.



Remarque :

Lors de la connexion de l'interface Wi-Fi (option), installez l'interface dans le support comme illustré sur la figure. Réglez la longueur du câble, et attachez-le comme illustré sur la figure.

- 1) Retirez le panneau.
- 2) Ouvrez le couvercle de la carte à circuits imprimés du panneau de commande de l'unité interne.
- 3) Raccordez le câble de connexion au point CN105 de la carte à circuits imprimés du panneau de commande de l'unité interne.
- 4) Acheminez le câble de connexion via le point illustré.
- 5) Attachez le serre-câble fourni avec le câble d'interface/de connecteur sur la section épaisse du câble de connexion à l'aide d'une vis de 4 × 16, comme illustré sur la figure.
- 6) Placez l'interface Wi-Fi dans le support.
- 7) Placez le câble de connexion dans le support, puis fixez-le avec la bande (L).
- 8) Attachez l'excès de câble avec la bande (L). La partie enroulée doit être d'environ 140 mm.
- 9) Fermez le couvercle de la carte à circuits imprimés du panneau de commande de l'unité interne. Veillez à ne pas coincer la section fine du câble de connexion avec le couvercle. Réinstallez le panneau.



⚠ AVERTISSEMENT

Fixez correctement le câble de connexion à l'emplacement indiqué. Une installation incorrecte risque d'être à l'origine d'un choc électrique, d'un incendie et/ou d'un dysfonctionnement.

3. RACCORDS A EVASEMENT, RACCORDS DE TUYAUTERIE

3-1. TRAVAUX D'EVASEMENT

- 1) Coupez correctement le tuyau en cuivre avec un coupe-tuyaux. (Fig. 1, 2)
- 2) Ebarbez parfaitement la partie tronçonnée du tuyau. (Fig. 3)
 - Dirigez l'extrémité du tuyau en cuivre vers le bas lors de l'ébarbage de façon à éliminer les bavures de l'intérieur du tuyau.
- 3) Retirez les écrous à évaseMENT fixés sur les unités interne et externe, puis posez-les sur le tuyau après avoir éliminé toutes les bavures. (il est impossible de les poser après les travaux d'évasement).
- 4) Travaux d'évasement (Fig. 4, 5). Tenez fermement le tuyau de cuivre dans la dimension indiquée dans le tableau. Sélectionnez A mm dans le tableau suivant l'outil que vous utilisez.
- 5) Contrôle
 - Comparez les travaux d'évasement avec la Fig. 6.
 - Si l'évasement n'est pas conforme à l'illustration, coupez la partie évasée et refaites l'évasement.

Diamètre du tuyau (mm)	Ecou (mm)	A (mm)			Couple de serrage	
		Outil type d'embrayage pour le modèle R32, R410A	Outil type d'embrayage pour le modèle R22	Ecou à oreilles pour le modèle R22	N•m	kgf•cm
ø6,35 (1/4")	17	0 - 0,5	1,0 - 1,5	1,5 - 2,0	14 - 18	140 - 180
ø9,52 (3/8")	22			34 - 42	340 - 420	
ø12,7 (1/2")	26			2,0 - 2,5	49 - 61	490 - 610
ø15,88 (5/8")	29			-	68 - 82	680 - 820

3-2. RACCORDEMENT DES TUYAUX

- Serrez l'écrou évasé avec une clé dynamométrique comme indiqué dans le tableau.
- Si l'écrou évasé est trop serré, il pourrait se rompre au bout de plusieurs années et provoquer une fuite de réfrigérant.
- Assurez-vous que la tuyauterie est enveloppée d'isolant. Un contact direct avec la tuyauterie nue peut entraîner des brûlures ou des engelures.

Raccordement de l'unité interne

Raccordez les conduits de liquide et de gaz à l'unité interne.

- N'appliquez pas d'huile réfrigérante sur les filetages. Un couple de serrage excessif endommagera la vis.
- Pour effectuer le raccordement, alignez d'abord le centre, puis serrez à la main l'écrou à évaseMENT de 3 à 4 tours.
- Respecter les couples de serrage indiqués dans le tableau ci-dessus pour raccorder la tuyauterie de l'unité interne et serrer avec deux clés. Un serrage excessif risque d'endommager la partie évasée.

⚠ AVERTISSEMENT

Les connecteurs mécaniques et les joints coniques réutilisables ne sont pas autorisés à l'intérieur.

Si vous raccordez les conduites de réfrigérant par brasage plutôt qu'à l'aide de raccords à évaseMENT, terminez le brasage avant de raccorder l'unité intérieure à l'unité extérieure.

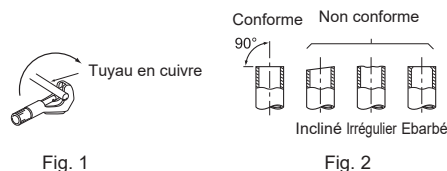


Fig. 1

Fig. 2

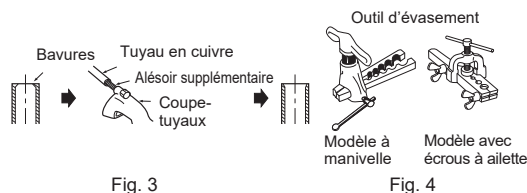


Fig. 3

Fig. 4

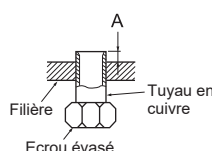


Fig. 5

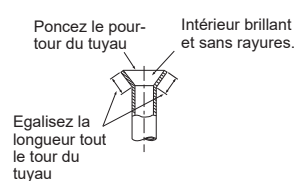
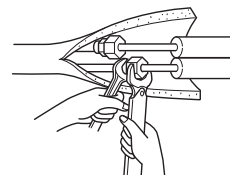


Fig. 6



⚠ AVERTISSEMENT

Pendant l'installation de l'appareil, branchez correctement les tuyaux de réfrigérant avant de lancer le compresseur.

4. ESSAI DE FONCTIONNEMENT

4-1. ESSAI DE FONCTIONNEMENT

Veillez procéder aux étapes suivantes.

- Le panneau est posé correctement.
 - Les unités interne et externe sont posées et alimentées correctement.
- 1) Appuyer une fois sur l'interrupteur de secours (E.O. SW) pour le refroidissement (COOL) et deux fois pour le chauffage (HEAT). L'essai de fonctionnement va s'effectuer pendant 30 minutes. Si le témoin de fonctionnement gauche clignote toutes les 0,5 secondes, vérifiez le câble de connexion de l'unité interne/externe (A) pour détecter tout mauvais branchement. Le mode d'urgence (température réglée sur 24°C) prendra le relais à la fin de l'essai de fonctionnement.
 - 2) Pour arrêter le fonctionnement, appuyez plusieurs fois sur le bouton E.O. SW jusqu'à ce que les témoins LED s'éteignent. Consultez la notice d'utilisation pour plus d'informations.

Contrôle de la réception des signaux (infrarouges) de la télécommande

Appuyez sur la touche MARCHE/ARRET de la télécommande (10) et vérifiez l'audibilité du signal sonore électronique provenant de l'unité interne. Appuyez de nouveau sur la touche MARCHE/ARRET de la télécommande pour éteindre le climatiseur.

- A l'arrêt du compresseur, le dispositif de prévention du redémarrage se met en marche pour éviter le redémarrage du compresseur pendant 3 minutes pour protéger le climatiseur.

4-2. FONCTION DE REDEMARRAGE AUTOMATIQUE

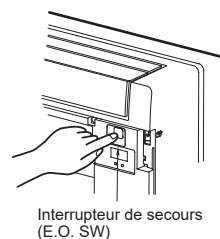
Ce produit est équipé d'une fonction de redémarrage automatique. Lorsque l'alimentation se coupe pendant le fonctionnement (comme lors des pannes d'électricité), la fonction remet automatiquement l'unité en marche sur le réglage précédent dès que l'alimentation est rétablie. (Consultez la notice d'utilisation pour plus d'informations.)

Attention:

- Après l'essai de fonctionnement ou le contrôle de la réception des signaux de la télécommande, éteignez l'unité à l'aide du bouton E.O. SW ou de la télécommande avant de couper l'alimentation. Sinon, l'unité se remettra automatiquement en marche lorsque l'alimentation est rétablie.

A l'attention de l'utilisateur

- Après installation de l'unité, veillez à expliquer à l'utilisateur la fonction de redémarrage automatique.
- Si la fonction de redémarrage automatique n'est pas indispensable, elle peut être désactivée. Adressez-vous au responsable de l'entretien pour désactiver la fonction. Consultez le manuel d'entretien pour plus d'informations.



Interrupteur de secours (E.O. SW)

4-3. EXPLICATIONS DESTINEES A L'UTILISATEUR

- A l'aide de la NOTICE D'UTILISATION, expliquez à l'utilisateur l'emploi du climatiseur (utilisation de la télécommande, remplacement des filtres à air, enlèvement ou placement de la télécommande sur son support, nettoyage, précautions à prendre pour le fonctionnement, etc.)
- Recommandez à l'utilisateur de lire attentivement la NOTICE D'UTILISATION.

5. PURGE

Se reporter aux procédures indiquées dans la notice d'installation de l'unité externe.

AVERTISSEMENT

Lorsque le circuit de réfrigération présente une fuite, ne pas purger à l'aide du compresseur. Pendant l'opération d'aspiration du réfrigérant, arrêtez le compresseur avant de débrancher les tuyaux de réfrigérant. Le compresseur peut éclater si de l'air, etc. pénètre à l'intérieur.

INHOUDSOPGAVE

1. VOOR HET INSTALLEREN	1
2. INSTALLEREN VAN DE BINNENUNIT	4
3. CONISCHE AANSLUITING, LEIDINGAANSLUITING	8
4. PROEFDRAAIEN	8
5. LEEGPOMPEN	9

Modelnamen zijn aangegeven in 1-3.





Deze installatiehandleiding beschrijft alleen de binnenunit. Raadpleeg de installatiehandleiding van de buitenunit voor informatie over het installeren van buitenunits.

Gereedschap nodig voor installatie

Kruiskopschroevendraaier	Flensgereedschap voor R32, R410A
Waterpas	Meterverdeelstuk voor R32, R410A
Rolmaat	Vacuümpomp voor R32, R410A
Universeel mes of schaar	Vulslang voor R32, R410A
Gatenzaag 75 mm	Pijpsnijder met ruimer
Momentsleutel	Waterfles
Steek- of ringsleutel	0,9 tot 1,0 l water

1. VOOR HET INSTALLEREN

BETEKENIS VAN DE PICTOGRAMMEN OP DE BINNENUNIT EN/OF BUITENUNIT

	WAARSCHUWING (Brandgevaar)	Deze unit maakt gebruik van een brandbaar koelmiddel. Als er koelmiddel lekt en dit in contact komt met vuur of een warmtebron, ontstaat er een schadelijk gas en bestaat er brandgevaar.
		Lees de BEDIENINGSINSTRUCTIES zorgvuldig voor ingebruikname.
		Onderhoudsmonteurs zijn verplicht om de BEDIENINGSINSTRUCTIES en de INSTALLATIEHANDLEIDING zorgvuldig te lezen voor ingebruikname.
		Raadpleeg voor meer informatie de BEDIENINGSINSTRUCTIES , de INSTALLATIEHANDLEIDING en dergelijke.

1-1. LET VOOR DE VEILIGHEID ALTIJD OP HET VOLGENDE

- Lees "LET VOOR DE VEILIGHEID ALTIJD OP HET VOLGENDE" goed door voordat u de airconditioner installeert.
- Volg de hier gegeven waarschuwingen en aanwijzingen goed op, want ze zijn belangrijk voor uw veiligheid.
- Bewaar deze handleiding nadat u hem gelezen heeft samen met de **BEDIENINGSHANDLEIDING** om eventueel later te raadplegen.

⚠ WAARSCHUWING (Kan leiden tot ernstig letsel en zelfs overlijden.)

- **Installeer als gebruiker dit apparaat niet zelf.**
Onvolledige installatie kan leiden tot brand, elektrische schokken, letsel doordat het apparaat valt, of lekkage van water. Raadpleeg de leverancier waar u de airconditioner kocht of een gekwalificeerde installateur.
- **Voer de installatie veilig uit volgens de installatiehandleiding.**
Onvolledige installatie kan leiden tot brand, elektrische schokken, letsel doordat het apparaat valt, of lekkage van water.
- **Als u de unit installeert, gebruik dan voor de veiligheid het juiste beschermingsmateriaal en gereedschap.**
Als u dat niet doet, kan dit letsel veroorzaken.
- **Installeer het apparaat stevig op een plaats die het gewicht kan dragen.**
Als de plaats van installatie het gewicht niet kan dragen, kan het apparaat vallen en letsel veroorzaken.
- **Elektrische werkzaamheden moeten volgens de installatiehandleiding worden uitgevoerd, en mogen alleen door gekwalificeerde, ervaren elektriciens worden uitgevoerd. Gebruik een aparte groep. Sluit geen andere elektrische apparaten aan op de groep.**
Als de capaciteit van de groep onvoldoende is of een elektrische aansluiting onjuist uitgevoerd wordt, kan dit leiden tot brand of een elektrische schok.
- **Aard het apparaat op de juiste manier.**
Sluit geen aardedraad aan op een gasleiding, waterleiding, bliksemafleider of aarde van een telefoon. Door onjuiste aarding kunt u elektrische schokken krijgen.
- **Zorg dat de bedrading niet wordt beschadigd doordat toegevoegde onderdelen en/of schroeven hierop te veel druk uitoefenen.**
Beschadigde bedrading kan brand of elektrische schokken veroorzaken.
- **Sluit de netspanning af tijdens het installeren van de printplaat binnen of het aansluiten van bedrading.**
Als u dat niet doet, kunt u een elektrische schok krijgen.
- **Gebruik de voorgeschreven draden om binnen de buitenunit veilig met elkaar te verbinden, en bevestig de draden stevig aan het aansluitblok zodat trekkracht in de draden niet op de verbindingpunten komt te staan. Verleng de bedrading niet, of gebruik geen tussenverbindingen.**
Onjuist aansluiten of vastzetten kan brand veroorzaken.
- **Installeer het apparaat niet op een plaats waar ontvlambaar gas kan lekken.**
Gelekt gas dat zich om de airconditioner heen ophoopt, kan een explosie veroorzaken.
- **Maak geen tussenverbindingen in het netsnoer, gebruik geen verlengsnoer en sluit niet te veel apparaten aan op hetzelfde stopcontact.**
Er kan dan brand of een elektrische schok ontstaan door een slecht contact, slechte isolatie, te hoge stroomsterkte etc.
- **Gebruik uitsluitend de bijgeleverde of voorgeschreven onderdelen voor het installeren.**
Gebruik van defecte onderdelen kan letsel of waterlekkage veroorzaken als gevolg van brand, een elektrische schok of vallen van het apparaat.
- **Als u de netsnoerstekker in het stopcontact steekt, let er dan op dat zich geen stof, andere opeenhoping of los onderdeel bevindt in het stopcontact of aan de stekker. Zorg er voor dat u de netsnoerstekker volledig in het stopcontact drukt.**
Als zich stof, een andere opeenhoping of een los onderdeel aan de netsnoerstekker of in het stopcontact bevindt, kan brand of een elektrische schok ontstaan. Als van de netsnoerstekker een onderdeel los zit, vervang de stekker dan.
- **Bevestig de afdekking voor elektrische delen van de binnenunit en het onderhoudspaneel van de buitenunit stevig.**
Indien de afdekking voor elektrische delen van de binnenunit en/of het onderhoudspaneel van de buitenunit niet goed bevestigd is/zijn, kan dit brand of een elektrische schok veroorzaken vanwege stof, water etc.
- **Zorg dat er niets anders dan het voorgeschreven koelmiddel R32/R410A in het koelmiddelcircuit komt wanneer de airconditioner wordt geïnstalleerd, verplaatst of onderhouden.**
De aanwezigheid van andere stoffen, zoals lucht, kan abnormale drukverhoging veroorzaken die kan leiden tot een explosie of lichamelijk letsel. Als u een ander koelmiddel dan het voorgeschreven koelmiddel gebruikt, kan dit leiden tot mechanische storingen, systeemstoringen of uitval van de unit. In het slechtste geval kan de productveiligheid ernstig in het geding komen.
- **Breng geen wijzigingen aan de unit aan.**
Dit kan brand, elektrische schokken, letsel en waterlekkages veroorzaken.
- **Laat het koelmiddel niet ontsnappen in de atmosfeer. Als bij het installeren lekkage van koelmiddel optreedt, ventileer dan de kamer. Controleer, als de installatie voltooid is, of er geen koelmiddel lekt.**
Als er koelmiddel lekt en dit in contact komt met vuur of een warmtebron, zoals een ventilatorverwarming, petroleumkachel of fornuis, ontstaat er een schadelijk gas. Zorg voor ventilatie in overeenstemming met EN378-1.
- **Gebruik de juiste gereedschappen en leidingmaterialen voor de installatie.**
De druk van R32/R410A is 1,6 keer zo hoog als die van R22. Door gebruik van onjuiste gereedschappen of materialen en een onvolledige installatie kunnen leidingen barsten en verwondingen ontstaan.
- **Pomp niet leeg met de compressor als het koelcircuit een lek heeft. Als u het koelmiddel uit het apparaat pompt, zet de compressor dan stop voordat u de koelmiddelleidingen losmaakt.**
Als u de koelmiddelleidingen losmaakt terwijl de compressor loopt en de afsluitkraan open is, dan kan lucht aangezogen worden waardoor de druk in het koelmiddelcircuit abnormaal hoog oploopt. Hierdoor kunnen de leidingen barsten en letsel veroorzaken.
- **Installeer, afhankelijk van de plaats van installatie, een aardlekschakelaar.**
Het ontbreken van een aardlekschakelaar kan elektrische schokken veroorzaken.
- **Als u het apparaat installeert, zet de koelmiddelleidingen dan stevig vast voordat u de compressor start.**
Als u de compressor start voordat de koelmiddelleidingen aangesloten zijn en de afsluitkraan is open, dan kan lucht aangezogen worden waardoor de druk in het koelmiddelcircuit abnormaal hoog oploopt. Hierdoor kunnen de leidingen barsten en letsel veroorzaken.
- **Bevestig flensmoeren met een momentsleutel zoals voorgeschreven in deze handleiding.**
Indien u een flensmoer te strak aandraait, kan deze na verloop van tijd breken en koelmiddellekkage veroorzaken.
- **Het apparaat moet geïnstalleerd worden in overeenstemming met de nationale regels voor bedrading.**
- **Verwijder bij gebruik van een gasbrander of andere apparatuur met vlamwerking alle koelmiddel volledig uit de airconditioner en zorg ervoor dat de ruimte goed geventileerd is.**
Als er koelmiddel lekt en dit in contact komt met vuur of een warmtebron, ontstaat er een schadelijk gas en bestaat er brandgevaar.
- **Gebruik geen middelen om het ontdooiingsproces te versnellen of om te reinigen die niet zijn aanbevolen door de fabrikant.**
- **Het apparaat moet zich in een kamer bevinden zonder continu functionerende ontstekingsbronnen (zoals open vuur, een functionerend gastoestel of een functionerende elektrische kachel).**
- **Niet doorboren of verbranden.**
- **Houd er rekening mee dat koelmiddelen geurloos kunnen zijn.**
- **De leidingen moeten beschermd zijn tegen fysieke schade.**
- **De aanleg van leidingen moet tot een minimum worden beperkt.**
- **Er moet worden voldaan aan de nationale gasverordeningen.**
- **Blokkeer geen van de vereiste ventilatie-openingen.**
- **Houd gastoestellen, elektrische kachels en andere brandhaarden (ontstekingsbronnen) uit de buurt van de plaats waar installatie-, reparatie- en ander werkzaamheden aan de airconditioner zullen worden verricht.**
- **Bewaar het apparaat in een goed geventileerde ruimte waarvan de afmetingen overeenkomen met het oppervlak dat voor gebruik is voorgeschreven.**
- **Zet de netschakelaar niet UIT, behalve in het geval van brandlucht of wanneer er onderhoud of een inspectie wordt uitgevoerd.**
Er kan geen stroom worden toegevoerd naar de koelmiddelsensor die in de binnenunit is gemonteerd en de sensor kan de koelmiddellekkage niet detecteren. Dit kan leiden tot brand.
- **Maak de verbindingenkabel op de voorgeschreven positie goed vast.**
Als u de verbindingenkabel niet correct aansluit, kan dit een elektrische schok, brand en/of storingen veroorzaken.

- **Voer de werkzaamheden aan afvoer en leidingen goed uit volgens de installatiehandleiding.**
Door mankementen aan afvoer of leidingwerk kan water van het apparaat druppelen en het interieur nat maken en beschadigen.
- **Raak de luchtinlaat en de aluminium ribben van de buitenunit niet aan.**
Dit kan letsel veroorzaken.
- **Draag beschermende uitrusting wanneer u de onderkant van de buitenunit aanraakt.**
Als u geen beschermende uitrusting draagt, kunt u letsel oplopen.
- **Installeer de buitenunit niet op een plaats waar mogelijk kleine dieren leven.**
Als kleine dieren in het apparaat belanden en elektrische delen aanraken, kan een storing, rookontwikkeling of brand ontstaan. Adviseer de gebruiker ook om de omgeving van het apparaat schoon te houden.
- **Gebruik de airconditioner niet tijdens het uitvoeren of afwerken van bouwwerkzaamheden binnenshuis of wanneer de vloer in de was wordt gezet.**
Na dergelijke werkzaamheden dient u de ruimte goed te ventileren voordat u de airconditioner weer in gebruik neemt. Als u dit niet doet, kunnen vluchtige elementen in de airconditioner blijven zitten, resulterend in waterlekage of condensdruppels.
- **Installeer de unit niet in een ruimte die zich kan vullen met rook, gas of een medicinaal middel.**
De koelmiddelsensor die in de binnenunit is gemonteerd, kan hierop reageren en een fout weergeven voor koelmiddellekkage.
- **Wees voorzichtig met de draaiende ventilator wanneer de netschakelaar AAN staat.**
Wanneer de koelmiddelsensor de koelmiddellekkage detecteert, begint de ventilator automatisch te draaien. U kunt hierdoor gewond raken.
- **Bij het gebruik van spuitbussen voor bouwwerkzaamheden binnenshuis, interieurfwerking of het afdichten van een gat in de muur dient u de netschakelaar uit te zetten en de ruimte goed te ventileren.** De koelmiddelsensor kan reageren op het gas in de spuitbus en detectiefouten veroorzaken.

1-2. BEPALEN VAN DE INSTALLATIEPLAATS

Deze handleiding beschrijft alleen de installatie van de binnenunit.
Raadpleeg de installatiehandleiding van de buitenunit wanneer u deze installeert.

BINNENUNIT

⚠ ⚠ WAARSCHUWING

Dit apparaat moet worden geïnstalleerd in een ruimte met een groter vloeroppervlak dan in de installatiehandleiding van de buitenunit wordt aangegeven.

- Raadpleeg de installatiehandleiding van de buitenunit.

Installeer binnenunits op een plek die aan de volgende voorwaarden voldoet:

- Waar de luchtstroom niet wordt geblokkeerd.
- Waar koele (of warme) lucht zich door de gehele ruimte kan verspreiden.
- Aan een stevige muur die niet trilt.
- Waar geen direct zonlicht op het apparaat valt. Stel het apparaat ook niet bloot aan direct zonlicht in de tijd tussen uitpakken en gebruik.
- Waar aftappen gemakkelijk kan.
- Op minstens 1 m afstand van tv's en radio's. De airconditioner kan de radio- of tv-ontvangst storen. Voor het betreffende apparaat kan een antenneversterker nodig zijn.
- Zo ver mogelijk uit de buurt van TL-verlichting en andere sterke lichtbronnen. Zodat het infrarode afstandsbedieningssignaal de airconditioner juist kan bedienen. De hitte van de lampen kan vervorming veroorzaken of het ultraviolet licht kan verslechtering veroorzaken.
- Waar het luchtfilter gemakkelijk te verwijderen en te vervangen is.
- Uit de buurt van andere warmte- of stoombronnen.
- Installeer de unit niet in een omgeving waarin apparatuur voor propaan-, butaan- of methaangas, insectendodende sprays, rookgenererende apparatuur, coatingmaterialen en medicinale middelen worden gebruikt of in een ruimte waar gas op zwavelbasis wordt gegenereerd.
- De koelmiddelsensor die in de binnenunit is gemonteerd, kan hierop reageren en een fout weergeven voor koelmiddellekkage. Hierdoor kan de unit mogelijk niet functioneren.

Bij aansluiting op een buitenunit die gebruikmaakt van R32-koelmiddel dient u de binnenunit te installeren in een ruimte met een vloeroppervlak van minimaal Amin, overeenkomend met koelmiddel M (koelmiddel af fabriek + op locatie toegevoegd koelmiddel). Raadpleeg de buitenunit voor de hoeveelheid koelmiddel en toe te voegen hoeveelheid koelmiddel.

M [kg]	Amin [m ²]
1,00	Geen vereisten
1,10	
1,20	
1,30	
1,40	
1,50	
1,60	
1,70	
1,80	
1,84	
1,90	3,75
2,00	3,95
2,10	4,15
2,20	4,34
2,30	4,54
2,40	4,74

Raadpleeg de installatiehandleiding van de buitenunit voor de toe te voegen hoeveelheid koelmiddel.

AFSTANDSBEDIENING

Bewaar de afstandsbediening bij voorkeur op een plek die aan de volgende voorwaarden voldoet:

- Waar de afstandsbediening gemakkelijk te zien en te bedienen is.
- Waar kinderen er niet bij kunnen.
- Kies een plaats op ca. 1,2 m boven de vloer. Controleer of vanaf die plaats de signalen van de afstandsbediening goed worden ontvangen door de binnenunit (u hoort dan één of twee pieptonen).

Opmerking:

In ruimtes waarin TL-verlichting van het invertertype wordt gebruikt, wordt het signaal van de draadloze afstandsbediening mogelijk niet ontvangen.

Opmerking:

Vermijd installatie op de volgende plaatsen, aangezien problemen met de airconditioner dan voor de hand liggen.

- Waar ontvlambaar gas kan lekken.
- Op plaatsen met veel machineolie.
- Waar olie spat of in ruimtes die gevuld zijn met olieachtige rook (zoals keukens en fabrieken waar de eigenschappen van kunststof kunnen worden gewijzigd en beschadigd).
- In zoute gebieden, bijvoorbeeld aan de kust.
- In de buurt van sulfidegas, bijvoorbeeld bij hete bronnen, rioleringen en afvalwater.
- Waar hoogfrequente of draadloze apparatuur aanwezig is.
- Waar er veel vluchtige organische stoffen vrijkomen, zoals ftalaten en formaldehyde, die tot scheuren door chemische inwerking kunnen leiden.
- Het apparaat moet zich in een ruimte bevinden waar het is gevrijwaard van mechanische schade.

1-3. SPECIFICATIES

Model	Voedingsspanning *1		Bedrading *2	Leidingmaat (dikte *3, *4, *5, *6)		Dikte isolatie *7, *8
	Nominale spanning	Frequentie		Gas	Vloeistof	
MFZ-KT25VG	230 V	50 Hz	4-aderig 2,0 mm ²	ø9,52 mm (0,8 mm)	ø6,35 mm (0,8 mm)	14 mm
MFZ-KT35VG				ø12,7 mm (0,8 mm)		
MFZ-KT50VG				ø15,88 mm (0,8 mm)		
MFZ-KT60VG						

- *1 Gebruik een netschakelaar die voor stroomonderbreking een open stand heeft met een opening van 3 mm of meer. (Als de stroom wordt uitgeschakeld, moeten alle fasen onderbroken worden.)
- *2 Gebruik draden die in overeenstemming zijn met ontwerp 60245 IEC 57.
- *3 Gebruik nooit leidingen die dunner zijn dan voorgeschreven. De weerstand tegen druk is dan onvoldoende.

- *4 Gebruik koperen leiding of naadloze leiding van een koperlegering.
- *5 Let erop dat u de leiding tijdens het buigen niet plet of knikt.
- *6 Bochten in de koelmiddelleidingen moeten een straal van minstens 100 mm hebben.
- *7 Isolatiemateriaal: Hittebestendig schuimplastic met 0,045 specifieke dichtheid

- *8 Zorg ervoor dat u isolatie van de voorgeschreven dikte gebruikt. Te dikke isolatie kan leiden tot onjuiste installatie van de binneneenheid en te dunne isolatie kan het druppelen van condens veroorzaken.

1-4. INSTALLATIESCHEMA

Raadpleeg de installatiehandleiding van de buitenunit wanneer u buitenunits installeert.

De tabel met specificaties voor de leidingen geeft geen minimumlengte voor leidingen aan. Binneneenheden met minder dan 3 m aan aangesloten leiding kunnen echter met tussenpozen geluid produceren tijdens de normale werking van het systeem in een zeer stille omgeving. Houd rekening met deze belangrijke informatie bij de installatie en plaatsing van de binneneenheid binnen de geklimatiseerde ruimte.

Obstakels aan bovenzijde
U kunt in het volgende gebied een obstakel installeren.

Het apparaat moet worden geïnstalleerd door een erkend specialist en in overeenstemming met de plaatselijke vereisten.

Gebruik beslist huls (C) in het muurgat, om te voorkomen dat de aansluitdraden naar binnen/buiten (A) contact maken met metalen delen in de muur en dat ongedierte schade veroorzaakt indien de muur hol is.

Plaats na de lektest het isolatiemateriaal zodanig strak dat er geen gat meer aanwezig is.

Bedek het aansluitgedeelte met tape om lekkage van water te voorkomen.

Wanneer u de leidingen wilt bevestigen aan een muur die metaal (zoals tinnen bekleding) of metalen gas bevat, plaats dan een chemisch behandelde houten plaat van minstens 20 mm dikte tussen muur en leidingen, of omwikkel de leidingen met isolatietape. Zorg dat de unit minimaal 30 minuten heeft gekoeld en is leeggepompt voordat u de oude airconditioner verwijderd. Pas de maat van de opzomverbindingen aan aan die van de nieuwe koelstof.

WAARSCHUWING
Omhul de koelmiddelleidingen of bescherm deze anderszins om brandgevaar te voorkomen. Externe schade aan de koelmiddelleidingen kan brand veroorzaken.

ACCESSOIRES

Controleer de volgende onderdelen voordat u begint met de installatie.

(1) Afvoerslang*	1
(2) Pijpafdekking	1
(3) Band	2
(4) Batterij (AAA) voor (10)	2
(5) Montagebeugel voor binneneenheid	1
(6) Bevestigingsschroef voor (5) 4 x 25 mm	5
(7) Houtschroef voor bevestiging van de binneneenheid	4
(8) Ring van (7)	4
(9) Vilttape (voor de pijpen links of linksachter)	1
(10) Draadloze afstandsbediening	1
(11) Luchtfilter	2
(12) Verbindingsleiding (alleen KT60)	1
(13) Pijpafdekking voor verbindingsleiding (alleen KT60)	1
(14) Label netschakelaar	1
(15) Mededeling netschakelaar	1

BIJ DE INSTALLATEUR VERKRIJGBARE ONDERDELEN

(A) Verbindingskabel binnen- en buitenunit*	1
(B) Verlengleiding	1
(C) Huls voor muurgat	1
(D) Afdekking voor muurgat	1
(E) Bevestigingsbandje voor leiding	2 - 5
(F) Bevestigingsschroef voor (E) 4 x 20 mm	2 - 5
(G) Leidingtape	1
(H) Kit	1
(J) Afvoerslang (of zachte PVC-slang met 15 mm binnendiameter of harde PVC-pijp VP16)	1 of 2
(K) Netsnoer*	1
(L) Bevestigingsbandje (alleen aansluiting Wi-Fi interface)	2

* **Opmerking:**
Zorg dat u de verbindingskabel binnen- en buitenunit (A) en het netsnoer (K) op ten minste 1 meter afstand van de tv-antennekabel installeert.

* **Opmerking:**

De afvoerslang wordt aangesloten op de unit.

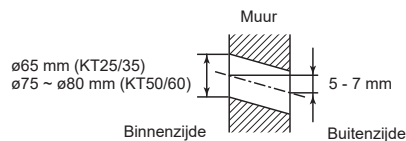
2. INSTALLEREN VAN DE BINNENUNIT

2-1. VASTZETTEN VAN MONTAGEBEUGEL VAN BINNENUNIT

- Installeer de binnenunit niet hoger dan 150 mm.
- Zoek een stevige plaats van de muur (bijvoorbeeld een steunbalk) en zet de montagebeugel (5) met de bevestigingsschroeven (6) horizontaal vast.
- Om te voorkomen dat de beugel (5) gaat trillen, moet u de bevestigingsschroeven in de op de afbeelding aangegeven openingen installeren. U kunt extra ondersteuning aanbrengen door ook bevestigingsschroeven in andere openingen te installeren.

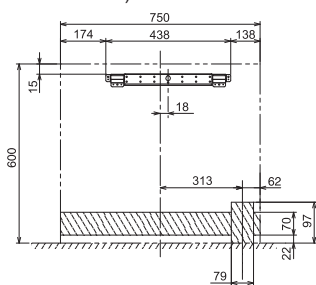
2-2. GATEN BOREN

- 1) Bepaal de positie van de gaten.
- 2) Boor een gat met een diameter van 65 mm (diameter 75 ~ 80 mm voor KT50/60). De buitenzijde moet 5 tot 7 mm lager zijn dan de binnenzijde.
- 3) Plaats de huls voor het muurgat (C).



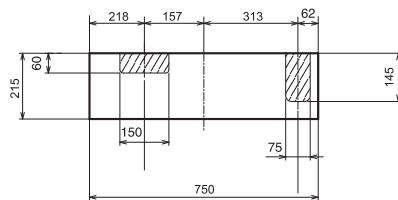
STAND VAN GATEN

PIJPEN ACHTER OF LINKSACHTER
(De volgende afbeelding is een voor-aanzicht van de installatieplaats van de binnenunit.)

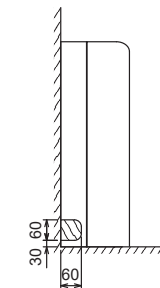


VOOR PIJPEN RECHTS NAAR BENEDEN OF LINKS NAAR BENEDEN

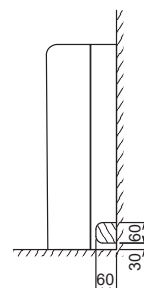
(In de volgende afbeelding wordt de bodem van de binnenunit van bovenaf weergegeven.)



VOOR PIJPEN AAN DE LINKERZIJDE



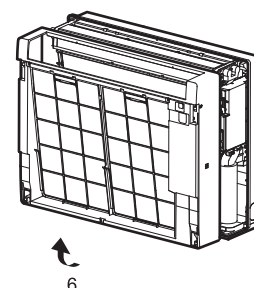
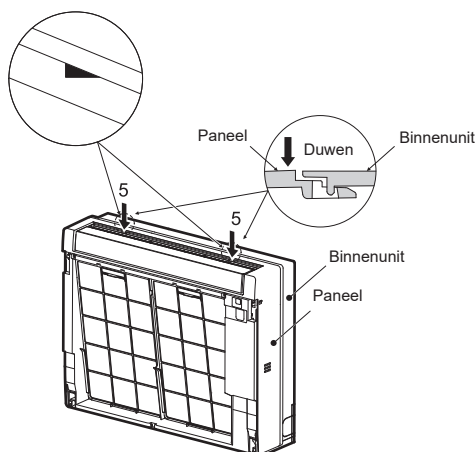
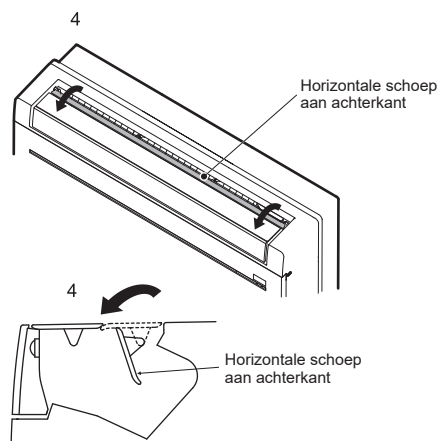
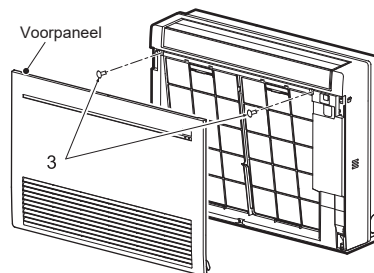
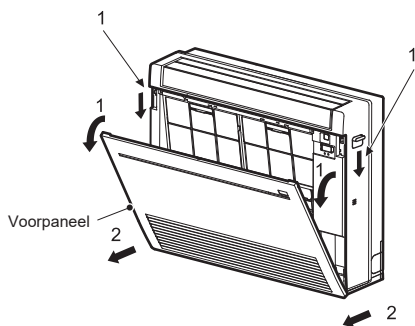
VOOR PIJPEN AAN DE RECHTERZIJDE



2-3. VOORBEREIDEN VAN DE BINNENUNIT

Verwijder het voorpaneel van de binnenunit.

- 1) Druk de lipjes aan beide kanten van het apparaat omlaag om het voorpaneel te openen.
- 2) Trek het voorpaneel naar u toe om het te verwijderen.
- 3) Verwijder de twee schroeven.
- 4) Open de horizontale schoep aan de achterkant.
- 5) Duw tegen de 2 locaties op de bovenkant van het paneel en trek vervolgens het bovenste deel van het paneel naar u toe.
- 6) Verwijder het paneel terwijl u het iets optilt.



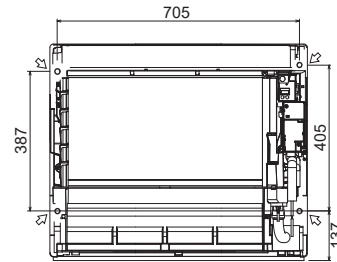
2-4. INSTALLATIE VAN HET BINNENAPPARAAT

2-4-1. BINNENUNIT OP DE VLOER INSTALLEREN

- 1) Plaats de binnenunit op de vlakke vloer.
- 2) Maak met de meegeleverde houtschroeven (7) en sluitringen (8) de binnenunit op 4 punten vast. Draai de schroeven stevig vast.

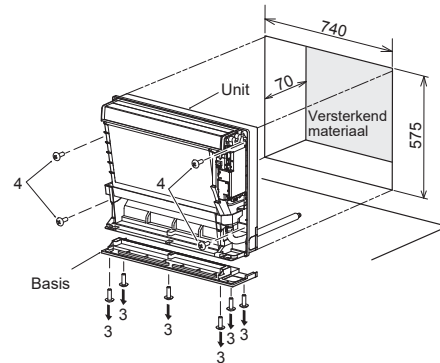
2-4-2. BINNENUNIT OP MUUR MONTEREN

- 1) Haak de bovenkant van de binnenunit aan de montagebeugel (5).
- 2) Maak met de meegeleverde houtschroeven (7) en sluitringen (8) de binnenunit op 4 punten vast. Draai de schroeven stevig vast.



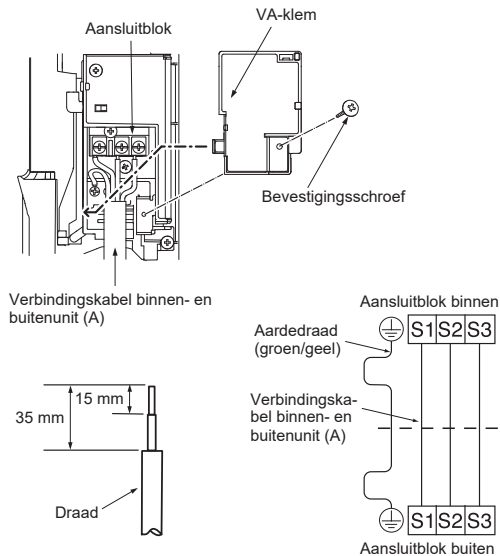
2-4-3. DE BINNENUNIT IN EEN WAND INBOUWEN

- 1) Maak een gat in de muur.
- 2) Pas met behulp van versterkend materiaal de diepte aan.
- 3) Verwijder de 6 schroeven waarmee de basis aan de unit is vastgemaakt. Verwijder de basis van de unit.
- 4) Maak met de meegeleverde houtschroeven (7) en sluitringen (8) de binnenunit op 4 punten vast. Draai de schroeven stevig vast.



2-5. DRADEN VOOR BINNENUNIT VERBINDEN

- 1) Verwijder de VA-klem.
- 2) Leid de verbindingkabel tussen binnen- en buitenunit (A) door de achterkant van de binnenunit en sluit het uiteinde ervan aan.
- 3) Draai de aansluitingsschroef los en sluit vervolgens eerst de aarddraad en vervolgens de verbindingkabel (A) tussen binnen- en buitenunit aan op het aansluitblok. Let op dat u de draden niet verkeerd aansluit. Maak de draad stevig vast op het aansluitblok zodat de draadkern niet zichtbaar is en er geen externe krachten op het aansluitgedeelte van het aansluitblok worden uitgeoefend.
- 4) Draai de aansluitingsschroeven goed vast zodat ze niet losraken. Trek na het vastdraaien even licht aan de draden om te controleren of ze goed vast zitten.
- 5) Zet de verbindingkabel (A) tussen de binnen- en buitenunit en de aarddraad vast met de VA-klem. Vergeet nooit het linker lipje van de VA-klem vast te haken. Maak de VA-klem stevig vast.



- Maak de aarddraad iets langer dan de andere draden. (langer dan 45 mm)
- Zorg dat de verbindingkabels wat extra lengte hebben voor later onderhoud.
- Vouw de overtollige bedrading niet, of prop de bedrading niet in kleine ruimtes. Zorg ervoor dat u de bedrading niet beschadigt.
- Let erop dat u elke schroef op de bijbehorende aansluiting bevestigt bij het vastmaken van het snoer en/of de kabel aan het aansluitblok.

⚠ WAARSCHUWING

Als u het apparaat installeert, zet de koelmiddelleidingen dan stevig vast voordat u de compressor start.

2-6. LEIDINGEN PLAATSEN EN INSTALLEREN

Opmerking: Zie 3. CONISCHE AANSLUITING, LEIDINGAANSLUITING.

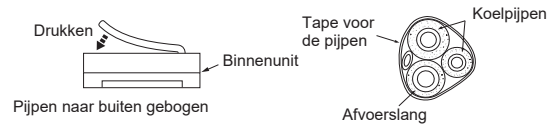
Leidingen plaatsen

- Leid de afvoerslang diagonaal onder de verbindingspijpen door.
- Let erop dat de afvoerslang niet omhoog loopt en dat de slang geen golven vertoont.
- Trek niet aan de afvoerslang, en doe er vervolgens tape omheen.
- Leid de pijpen zo dat deze niet voorbij de achterkant van de binnenuit uitsteken. (Zie de afbeelding rechts.)

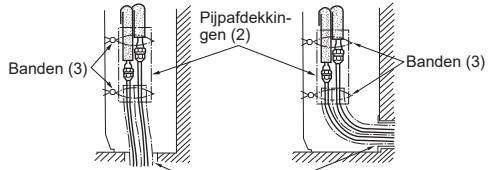
Aanbrengen van de pijpen

- Breng de verbindingspijpen zo aan, dat de pijpen enigszins naar voren, achteren, links en rechts kunnen bewegen.
- Zorg ervoor dat, wanneer de afdekking wordt verwijderd, de leidingen zijn afgedekt, zodat er na installatie van de leidingen geen leidingen bloot liggen in de ruimte.
- Vul de opening na installatie van de leidingen.

- Vergeet niet de leidingen te isoleren zodat ze geen contact maken met het paneel.
- Let er bij het buigen op, dat de pijpen niet in elkaar worden gedrukt.



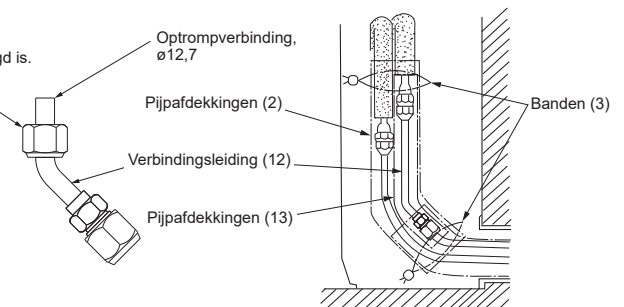
LEIDINGEN RECHT NAAR BENEDEN OVERIGE LEIDINGEN



Voor MFZ-KT60

- Gebruik verbindingsleiding (12), anders kan de verlengleiding van $\varnothing 15,88$ niet worden bevestigd.
- Tromp de verbindingsleiding (12) tot $\varnothing 12,7$ en breng de pijpafdekking (13) aan.

Gebruik de flensmoer die aan de unit bevestigd is. Let goed op de richting van de moeren.

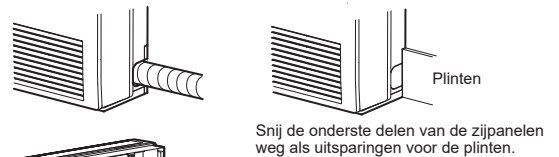


VOOR PIJPEN LINKS OF LINKSACHTER

Maak een bundel van de verbindingspijpen en de afvoerslang en wikkel ze vervolgens in vilttape (9).

Maak aan de linker- en rechterzijde van de binnenuit een inkeping in de onderste zijpanelen, zoals onderstaand weergegeven. Maak de insnijdingen in de zijpanelen glad, zodat deze de isolatielaag niet zullen beschadigen.

- Voor pijpen links of rechts
- Plaats de unit vlak tegen een wand met plinten

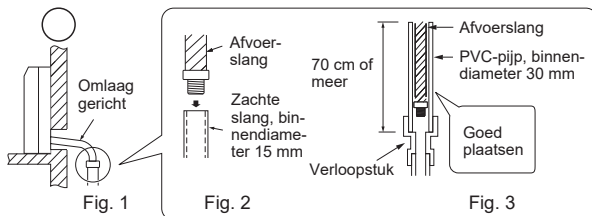


Wikkel de vilttape (9) strak rond de pijpen en de slang. Begin vanaf het punt waar de pijpen en de slang de binnenuit verlaten. (De breedte van de overlapping van de vilttape (9) mag niet meer dan 1/2 van de breedte van de tape bedragen.)

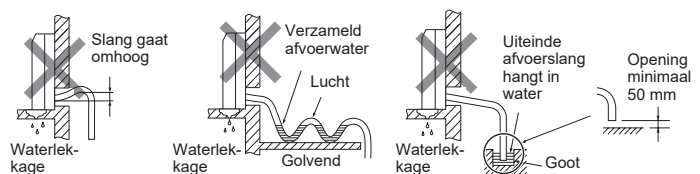


2-7. AFVOERPIJPEN

- Als de verlengde afvoerslang door een ruimte heen gelegd wordt, omwikkel hem dan met in de handel verkrijgbaar isolatiemateriaal.
- De afvoerslang dient voor een goede afvoer omlaag gericht te zijn. (Fig. 1)
- Als de afvoerslang die met de binnenuit is meegeleverd, te kort is, verbind deze dan met afvoerslang (J) die bij de installateur verkrijgbaar is. (Fig. 2)
- Gebruik tape of ander materiaal om de aansluiting tussen de afvoerslang en verlengde afvoerslang van het product (binnendiameter 16 mm) (J) af te dichten.
- Wanneer u de afvoerslang aansluit op de PVC-pijp, moet u de slang goed in de pijp plaatsen. (Fig. 3)

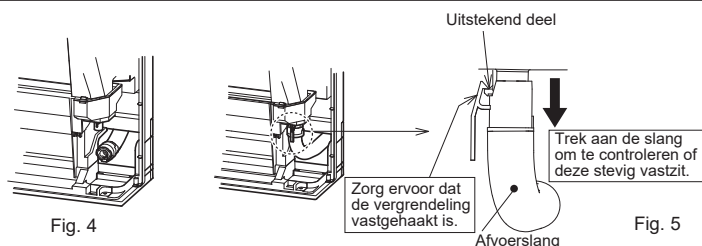


Leg de afvoervoorzieningen niet aan zoals hieronder is afgebeeld.



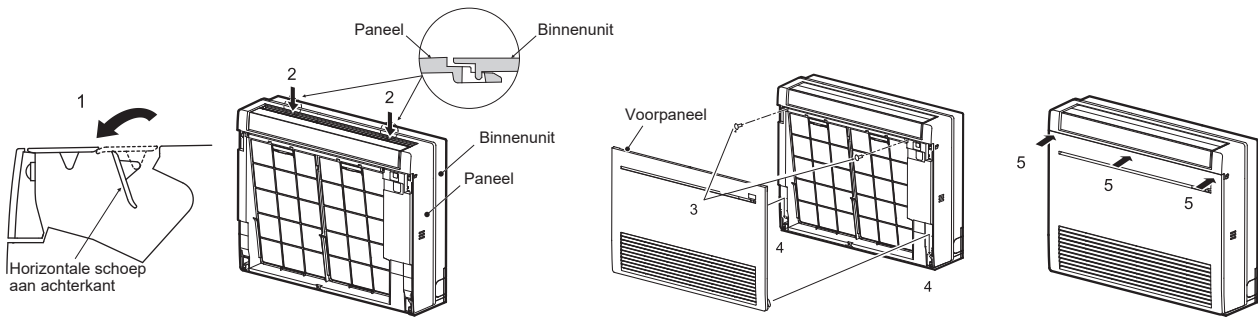
De afvoerslang wordt verwijderd bij de installatie.

- Bij het aanleggen van de afvoerpijpen dient u afvoerslang (1) te laten lopen zoals weergegeven. (Fig. 4)
- Plaats de afvoerslang geheel in de basis van het afvoervat (eindverbinding). (Fig. 5)
- Zorg dat de vergrendeling van de afvoerslang stevig vastzit aan het uitstekende deel van het slanghulpstuk van het afvoervat.
- Trek aan de afvoerslang nadat u deze hebt aangesloten op het afvoervat, om te controleren of de slang stevig vastzit.



2-8. AANBRENGEN VAN HET VOORPANEEL

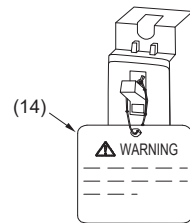
- 1) Open de horizontale schoep aan de achterkant.
- 2) Bevestig het paneel. Zorg ervoor dat de vergrendelingen vastgehaakt zijn.
- 3) Maak het paneel met schroeven vast.
- 4) Plaats de onderkant van het voorpaneel.
- 5) Duw tegen de 3 locaties op de bovenkant van het voorpaneel om het voorpaneel te sluiten.



2-9. BEVESTIGING VAN HET LABEL EN DE UITLEG

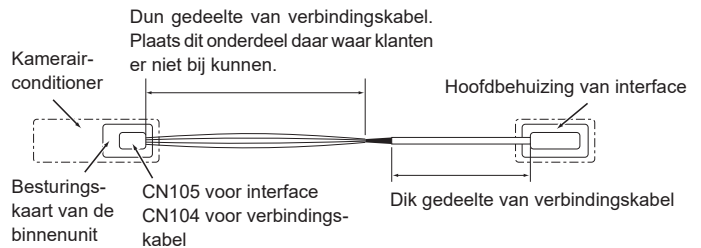
De netschakelaar moet altijd AAN staan, behalve wanneer er onderhoud of een inspectie wordt uitgevoerd. Hang het bijbehorende label (14) of (15) aan de netschakelaar en geef uitleg aan de klant. Wanneer de netschakelaar UIT wordt gezet, wordt er geen stroom toegevoerd naar de koelmiddelsensor die is gemonteerd in de binnenunit en kan de koelmiddellekkage niet worden gedetecteerd.

Opmerking: Wanneer de bedrading voor de stroomvoorziening van de binnenunit/buitenunit gescheiden is, hang dan het bijbehorende label (14) of (15) aan de netschakelaar van de binnenunitzijde en geef uitleg aan de klant.

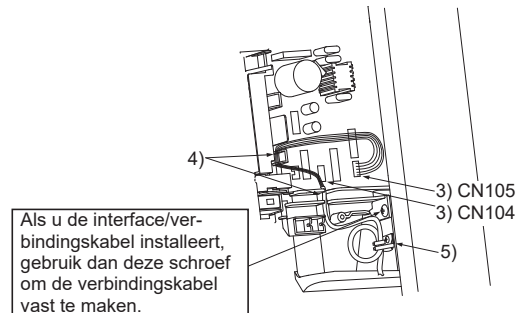


2-10. EEN INTERFACE (optie)/VERBINDINGSKABEL (optie) OP DE AIRCONDITIONER AANSLUITEN

- Sluit een interface/verbindingskabel aan op de besturingskaart van een airconditioner met een verbindingskabel.
- Als u de verbindingskabel van een interface/verbindingskabel doormidden snijdt of verlengt, heeft dit een negatieve invloed op de verbinding. Bundel de verbindingskabel niet samen met het netsnoer, de verbindingskabel van de binnen-/buitenunit en/of de aardendraad. Zorg voor zo veel afstand als mogelijk is tussen de verbindingskabel en die draden.
- Het dunne gedeelte van de verbindingskabel moet op een plaats worden opgeslagen en geplaatst waar klanten er niet bij kunnen.



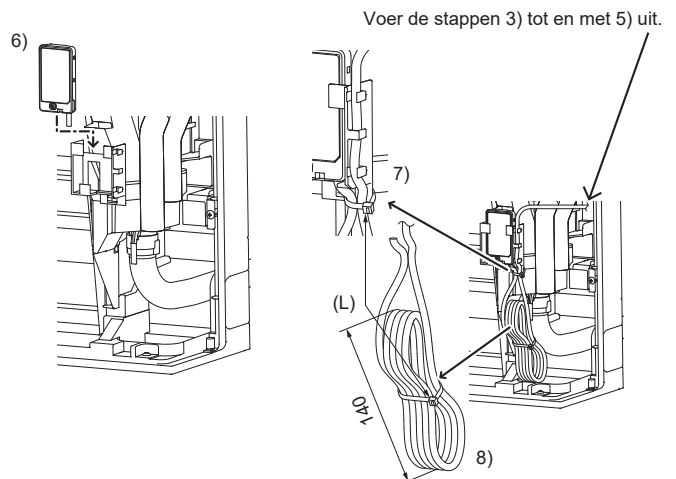
- 1) Verwijder het paneel.
- 2) Open het deksel van de besturingskaart van de binnenunit.
- 3) Sluit de verbindingskabel aan op CN105 en/of CN104 op de besturingskaart van de binnenunit.
- 4) Voer de verbindingskabel door dit punt in de afbeelding.
- 5) Bevestig met een schroef (4 x 16) de bij de interface/verbindingskabel meegeleverde kabelklem op het dikke gedeelte van de verbindingskabel zoals wordt afgebeeld.
- 6) Sluit het deksel van de besturingskaart van de binnenunit. Zorg er daarbij voor dat het dunne gedeelte van de verbindingskabel niet onder het deksel vastgeklemd komt te zitten. Monteer het paneel opnieuw.



Opmerking:

Installeer tijdens het aansluiten van de Wi-Fi interface (optie) de interface in de houder zoals weergegeven in de afbeelding. Pas de lengte van de kabel aan en bundel deze zoals weergegeven in de afbeelding.

- 1) Verwijder het paneel.
- 2) Open het deksel van de besturingskaart van de binnenunit.
- 3) Verbind de verbindingskabel met CN105 op de besturingskaart van de binnenunit.
- 4) Voer de verbindingskabel door dit punt in de afbeelding.
- 5) Bevestig met een schroef (4 x 16) de bij de interface/verbindingskabel meegeleverde kabelklem op het dikke gedeelte van de verbindingskabel zoals wordt afgebeeld.
- 6) Plaats de Wi-Fi interface in de houder.
- 7) Plaats de verbindingskabel in de houder en zet deze vast met het bevestigingsbandje (L).
- 8) Bundel de overtollige kabel met het bevestigingsbandje (L). Het opgerolde deel moet ongeveer 140 mm zijn.
- 9) Sluit het deksel van de besturingskaart van de binnenunit. Zorg er daarbij voor dat het dunne gedeelte van de verbindingskabel niet onder het deksel vastgeklemd komt te zitten. Monteer het paneel opnieuw.



⚠ WAARSCHUWING

Maak de verbindingskabel op de voorgeschreven positie goed vast. Als u de verbindingskabel niet correct aansluit, kan dit een elektrische schok, brand en/of storingen veroorzaken.

3. CONISCHE AANSLUITING, LEIDINGAANSLUITING

3-1. AFDICHTING

- 1) Snijd de koperen leiding op de juiste wijze af met een pijpsnijder. (Fig. 1, 2)
- 2) Verwijder alle bramen van het gedeelte waar de leiding is afgesneden. (Fig. 3)
 - Houd het uiteinde van de koperen leiding omlaag terwijl u de bramen verwijdert, zodat de bramen niet in de leiding kunnen vallen.
- 3) Verwijder de flensmoeren die op de binnen- en buitenunit zijn bevestigd, en schuif ze op de ontbraamde leiding. (Ze zijn niet meer te plaatsen nadat de afdichting gemaakt is.)
- 4) Afdichting (Fig. 4, 5). Draai de koperen leiding volgens de in de tabel getoonde waarden stevig vast. Selecteer A mm uit de tabel volgens het gereedschap dat u gebruikt.
- 5) Controleer
 - Vergelijk de gemaakte afdichtflens met Fig. 6.
 - Als de afdichtflens niet juist lijkt te zijn, snijd dan het flensgedeelte van de leiding af en maak de afdichting opnieuw.

Diameter leiding (mm)	Moer (mm)	A (mm)			Aanhaalkoppel	
		Koppelingsgereedschap voor R32, R410A	Koppelingsgereedschap voor R22	Vleugelmoergereedschap voor R22	N*m	kgf*cm
ø6,35 (1/4")	17	0 - 0,5	1,0 - 1,5	1,5 - 2,0	14 - 18	140 - 180
ø9,52 (3/8")	22			34 - 42	340 - 420	
ø12,7 (1/2")	26			2,0 - 2,5	49 - 61	490 - 610
ø15,88 (5/8")	29			-	68 - 82	680 - 820

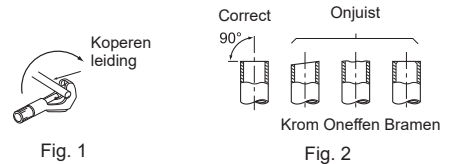


Fig. 1

Fig. 2

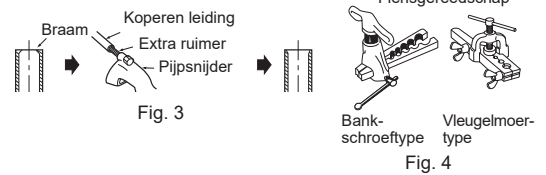


Fig. 3

Fig. 4

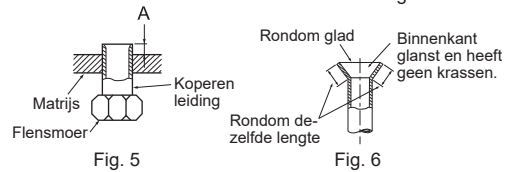


Fig. 5

Fig. 6

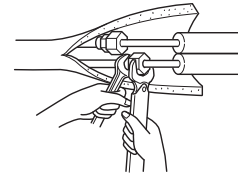
3-2. DE LEIDINGEN AANSLUITEN

- Bevestig flensmoeren met een momentsleutel zoals voorgeschreven in de tabel.
- Indien u een flensmoer te strak aandraait, kan deze na verloop van tijd breken en koelmiddellekkage veroorzaken.
- Isoleer de leidingen met isolatiemateriaal. Direct contact met de onbedekte leidingen kan leiden tot brandwonden of bevrozing.

De binnenunit aansluiten

Verbind zowel de vloeistof- als de gasleiding met de binnenunit.

- Breng geen koelolie aan op de schroefdraden. Een te groot aanhaalkoppel zal de schroef beschadigen.
- Voor de aansluiting lijnt u eerst het midden uit en draait u de flensmoer 3 tot 4 slagen met de hand aan.
- Pas het aanhaalkoppel in bovenstaande tabel toe voor de aansluiting op de binnenunit, en gebruik bij het vastdraaien twee sleutels. Te strak aandraaien beschadigt de afdichtflens.



⚠ WAARSCHUWING

Als u het apparaat installeert, zet de koelmiddelleidingen dan stevig vast voordat u de compressor start.

⚠ WAARSCHUWING

Herbruikbare mechanische connectoren en conische verbindingen zijn binnenshuis niet toegestaan.

Wanneer de koelmiddelleidingen niet met conische aansluitingen, maar met soldering worden aangesloten, moeten alle solderingswerkzaamheden zijn voltooid, voordat de binnenunit wordt aangesloten op de buitenunit.

4. PROEFDRAAIEN

4-1. PROEFDRAAIEN

Zorg ervoor dat eerst aan de volgende voorwaarden is voldaan.

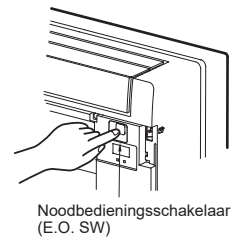
- Paneel is correct geïnstalleerd.
- Binnen- en buitenunits zijn correct geïnstalleerd en de voeding is ingeschakeld.

- 1) Druk een keer op de noodbedieningsschakelaar voor koelen COOL, en twee keer voor verwarmen HEAT. Het proefdraaien duurt 30 minuten. Indien het linker lampje van de bedieningsindicator om de 0,5 seconde knippert, controleer dan of de verbindingkabel tussen binnen- en buitenunit (A) goed aangesloten is. Na het proefdraaien wordt de noodwerking gestart (ingestelde temperatuur 24°C).
- 2) Druk om de bediening te stoppen de E.O. SW meerdere keren in totdat alle LED-lampjes zijn gedoofd. Zie de bedieningshandleiding voor details.

Controleren of de afstandsbediening werkt

Druk op de toets ON/OFF (aan/uit) van de afstandsbediening (10) en controleer of u een elektronische pieptoon van de binnenunit hoort. Druk nogmaals op de toets ON/OFF (aan/uit) om de airconditioner uit te zetten.

- Als de compressor tot stilstand komt, kan deze ter bescherming van de airconditioner de eerste 3 minuten daarna niet opnieuw gestart worden.



Noodbedieningsschakelaar (E.O. SW)

4-2. FUNCTIE VOOR AUTOMATISCH HERSTARTEN

Dit product is uitgerust met een functie voor automatisch herstarten. Als tijdens de bediening de stroom uitvalt, zoals tijdens stroomstoringen, zorgt de functie er na herstel van de stroomtoevoer automatisch voor dat de unit in de vorige bedieningsstand wordt opgestart. (Zie de bedieningshandleiding voor details.)

Waarschuwing:

- Zet de unit na het proefdraaien of de controle van de werking van de afstandsbediening uit met de E.O. SW of de afstandsbediening voordat u de voeding uitschakelt. Als u dit niet doet, dan start de unit automatisch op wanneer de voeding weer wordt ingeschakeld.

Voor de gebruiker

- Zorg ervoor dat de gebruiker na de installatie van de unit het automatisch herstarten krijgt uitgelegd.
- Als de functie voor het automatisch herstarten niet nodig is, dan kan deze worden gedeactiveerd. Neem contact op met de onderhoudsdienst voor het deactiveren van de functie. Zie de onderhoudshandleiding voor details.

4-3. UITLEG AAN DE GEBRUIKER

- Leg de gebruiker met de OPERATING INSTRUCTIONS (bedieningshandleiding) uit hoe de airconditioner werkt (gebruik van de afstandsbediening, verwijderen van de luchtfilters, verwijderen of plaatsen van de afstandsbediening in de houder, reinigen, voorzorgsmaatregelen tijdens bediening, enz.)
- Raad de gebruiker aan om de BEDIENINGSHANDLEIDING zorgvuldig door te lezen.

5. LEEGPOMPEN

Raadpleeg de in de installatiehandleiding van de buitenunit aangegeven procedures.

WAARSCHUWING

Pomp niet leeg met de compressor als het koelcircuit een lek heeft. Als u het koelmiddel uit het apparaat pompt, zet de compressor dan stop voordat u de koelmiddelleidingen losmaakt. De compressor kan barsten als er lucht etc. in komt.

ÍNDICE

1. ANTES DE LA INSTALACIÓN.....	1
2. INSTALACIÓN DE LA UNIDAD INTERIOR.....	4
3. CONEXIÓN ABOCARDADA, CONEXIÓN DE TUBERÍA.....	8
4. FUNCIONAMIENTO DE PRUEBA.....	8
5. BOMBEO DE VACIADO.....	9

Los nombres de los modelos se indican en 1-3.





Este manual de instalación solamente describe la instalación de la unidad interior. Consulte el manual de instalación de la unidad exterior para configurar las unidades exteriores.

Herramientas necesarias para la instalación

Destornillador Phillips Nivel	Abocardador para R32, R410A
Báscula	Válvula colector de manómetro para R32, R410A
Cuchilla o tijeras	Bomba de vacío para R32, R410A
Broca para serrar de 75 mm	Manguera de carga para R32, R410A
Llave dinamométrica	Cortador de tuberías con escuriador
Llave (o llave de tuercas)	Botella de agua 0,9 a 1,0 L de agua

1. ANTES DE LA INSTALACIÓN

SIGNIFICADO DE LOS SÍMBOLOS QUE APARECEN EN LA UNIDAD INTERIOR Y/O EN LA UNIDAD EXTERIOR

	ATENCIÓN (Riesgo de incendio)	Esta unidad utiliza refrigerante inflamable. Si hay fugas de refrigerante y éste entra en contacto con fuego o con fuentes de calor, se generarán gases perjudiciales y puede causarse un incendio.
		Lea detenidamente el MANUAL DE INSTRUCCIONES antes de utilizar el equipo.
		El personal de mantenimiento deberá leer detenidamente el MANUAL DE INSTRUCCIONES y el MANUAL DE INSTALACIÓN antes de utilizar el equipo.
		Encontrará más información en el MANUAL DE INSTRUCCIONES, en el MANUAL DE INSTALACIÓN y en documentos similares.

1-1. POR RAZONES DE SEGURIDAD, DEBERÁ OBSERVARSE SIEMPRE LO SIGUIENTE

- Antes de instalar el acondicionador de aire, lea atentamente el apartado "POR RAZONES DE SEGURIDAD, DEBERÁ OBSERVARSE SIEMPRE LO SIGUIENTE".
- Observe los mensajes de atención y cuidado indicados en él, ya que se refieren a cuestiones de seguridad importantes.
- Cuando haya acabado de leer el manual, no olvide dejarlo junto al MANUAL DE INSTRUCCIONES para su futura referencia.

⚠ ATENCIÓN (Podría causar la muerte, lesiones graves, etc.)

- **El usuario no debe instalar la unidad.**
Una instalación defectuosa podría causar incendios, descargas eléctricas o lesiones debidos a una caída de la unidad o escapes de agua. Para hacer la instalación, consulte al concesionario en el que adquirió esta unidad o a un instalador cualificado.
- **Para efectuar una instalación segura, consulte el manual de instalación.**
Una instalación defectuosa podría causar incendios, descargas eléctricas o lesiones debidos a una caída de la unidad o escapes de agua.
- **Al instalar la unidad, use equipos y herramientas de protección adecuadas para garantizar la seguridad.** De no hacerlo, podría sufrir daños corporales.
- **Asegúrese de que el lugar de instalación puede aguantar el peso de la unidad.**
Si el lugar de instalación no puede aguantar el peso de la unidad, ésta podría caerse y causar daños.
- **La instalación eléctrica debe realizarla un técnico cualificado y con experiencia, siguiendo el manual de instalación. Asegúrese de emplear un circuito exclusivo. No conecte otros dispositivos eléctricos al circuito.**
Si el circuito de alimentación no tiene suficiente capacidad o la instalación eléctrica es insuficiente, podría producirse un incendio o una descarga eléctrica.
- **Conecte a tierra la unidad.**
No conecte el cable de tierra a una tubería de gas, de agua o al cable de tierra de un teléfono. Una conexión defectuosa podría provocar una descarga eléctrica.
- **Evite dañar los cables aplicando una presión excesiva con las piezas o tornillos.**
El uso de cables dañados podría conllevar lesiones a causa de incendios o descargas eléctricas.
- **Asegúrese de desconectar el conmutador de alimentación general al instalar la placa de circuito impreso o manipular los cables de conexión.**
De no hacerlo, podría provocar una descarga eléctrica.
- **Utilice los cables indicados para instalar de forma segura las unidades interior y exterior y conecte bien los cables en las secciones de conexión del panel de terminales de modo que no queden tensos en dichas secciones. No emplee cables de extensión ni conexiones intermedias.**
Una conexión y fijación defectuosas podrían provocar un incendio.
- **No instale la unidad en un lugar donde haya fugas de gas inflamable.**
Si hay fugas de gas y se acumula en la zona que rodea la unidad, podría producirse una explosión.
- **No emplee conexiones intermedias del cable de alimentación ni tampoco un cable de extensión; evite también conectar demasiados aparatos a una sola toma de CA.**
Esto podría provocar un incendio o una descarga eléctrica a causa de un contacto o un aislamiento defectuoso, un exceso de corriente, etc.
- **Procure utilizar las piezas suministradas o indicadas para efectuar la instalación.**
El empleo de piezas defectuosas podría provocar lesiones o escapes de agua a causa de un incendio, una descarga eléctrica, la caída de la unidad, etc.
- **Al conectar el enchufe de alimentación en la toma, asegúrese de que no hay polvo, obstrucciones o piezas sueltas ni en la toma ni en el enchufe. Asegúrese de que el enchufe de alimentación está completamente insertado en la toma.**
Si hay polvo, obstrucciones o piezas sueltas en el enchufe de alimentación o la toma, podría provocar incendios o descargas eléctricas. Si el enchufe de alimentación presenta piezas sueltas, sustitúyalo.
- **Fije firmemente la cubierta de la instalación eléctrica a la unidad interior y el panel de servicio, a la unidad exterior.**
Si no se fijan con firmeza la cubierta eléctrica de la unidad interior y el panel de servicio de la unidad exterior, podría producirse un incendio o una descarga eléctrica a causa del polvo, el agua, etc.
- **Al instalar, reubicar o reparar la unidad, asegúrese de que en el circuito de refrigeración no entra ninguna otra sustancia que no sea el refrigerante especificado (R32/R410A).**
La presencia de cualquier otra sustancia extraña, como aire por ejemplo, puede provocar una elevación anómala de la presión, una explosión o daños corporales. El uso de un refrigerante distinto al especificado por el sistema ocasionará fallos mecánicos, malfuncionamiento del sistema o averías en la unidad. En el peor de los casos, esto podría llegar a ser un serio impedimento para garantizar el uso seguro del producto.
- **No modifique la unidad.**
Podría producirse fuego, una descarga eléctrica, lesiones o escape de agua.
- **No descargue el refrigerante en el ambiente. Si se producen fugas de refrigerante durante la instalación, ventile la habitación. Una vez acabada la instalación, compruebe que no haya fugas de refrigerante.**
Si hay fugas de refrigerante y éste entra en contacto con fuego o con fuentes de calor tales como un calentador del ventilador, un calentador de queroseno o un horno de cocina, se generarán gases perjudiciales. Se debe proporcionar la ventilación determinada en EN378-1.
- **Utilice las herramientas apropiadas y los materiales de conducción adecuados para la instalación.**
La presión del refrigerante R32/R410A es 1,6 veces mayor que la del R22. Si no se utilizan herramientas o materiales apropiados, o si se realiza una instalación defectuosa, las tuberías podrían estallar o sufrir daños.
- **Cuando el circuito de refrigeración tiene una fuga, no realice el bombeo de vaciado con el compresor. Al bombear el refrigerante, detenga el compresor antes de desconectar las tuberías de refrigerante.**
Si las tuberías de refrigerante se desconectan con el compresor en marcha y la válvula de retención está abierta, podría entrar aire y la presión del ciclo de refrigeración aumentaría de forma anómala. Esto podría hacer que las tuberías estallaran o sufrieran daños.
- **Instale un disyuntor de fuga a tierra en función de la zona de instalación.**
Si no se instala este disyuntor, podrían producirse descargas eléctricas.
- **Al instalar la unidad, conecte las tuberías de refrigerante de forma fija antes de poner en marcha el compresor.**
Si el compresor se pone en marcha antes de que las tuberías de refrigerante estén conectadas y la válvula de retención se abra, podría entrar aire y la presión del ciclo de refrigeración aumentaría de forma anómala. Esto podría hacer que las tuberías estallaran o sufrieran daños.
- **Apriete la tuerca abocardada con una llave dinamométrica tal y como se especifica en el presente manual.**
Si la aprieta demasiado, la tuerca abocardada podría romperse transcurrido un tiempo, causando pérdidas de refrigerante.
- **Instale la unidad de acuerdo con la normativa para instalaciones eléctricas.**
- **Si se utiliza un quemador de gas u otro aparato que produzca llamas, retire todo el refrigerante del acondicionador de aire y compruebe que el área esté bien ventilada.**
Si hay fugas de refrigerante y éste entra en contacto con fuego o con fuentes de calor, se generarán gases perjudiciales y puede causarse un incendio.
- **Para acelerar el proceso de descongelación o para limpiar el aparato, utilice únicamente los medios recomendados por el fabricante.**
- **El aparato debe guardarse en una habitación sin fuentes de ignición en funcionamiento continuo (por ejemplo: llamas abiertas, un aparato de gas en funcionamiento o un calentador eléctrico en funcionamiento).**
- **No perforo ni queme el equipo.**
- **Tenga en cuenta que es posible que los refrigerantes no emitan olores.**
- **Las tuberías deben protegerse de posibles daños físicos.**
- **Las tuberías instaladas deben ser las mínimas.**
- **Deben observarse las normativas nacionales relativas al gas.**
- **Mantenga las aberturas de ventilación necesarias libres de obstáculos.**
- **Mantenga los aparatos que utilizan combustibles gaseosos, calefactores eléctricos y otros elementos inflamables (fuentes de ignición) apartados del lugar donde se llevará a cabo la instalación, reparación y otras tareas en el acondicionador de aire.**
- **El aparato debe guardarse en una zona bien ventilada, y la habitación debe tener el tamaño especificado para un funcionamiento correcto.**
- **No apague el disyuntor excepto si nota olor a quemado, o al realizar operaciones de mantenimiento o inspección.**
No puede suministrarse alimentación al sensor de refrigerante instalado en la unidad interior, y el sensor no puede detectar las fugas de refrigerante. Esto podría provocar un incendio.
- **Fije de forma segura el cable de conexión en la posición prescrita.**
Una instalación incorrecta puede provocar descargas eléctricas, incendios y/o fallos de funcionamiento.

⚠ CUIDADO (Podría causar lesiones graves en ciertos entornos si se manipula incorrectamente).

- **Para efectuar un drenaje y una instalación de tuberías seguras, siga las indicaciones del manual de instalación.**
Un drenaje o una instalación de tuberías defectuosos podría causar un escape de agua en la unidad que mojaría y estropearía los enseres del hogar.
- **No toque la entrada de aire ni las aletas de aluminio de la unidad exterior.**
Esto podría causar lesiones.
- **Utilice siempre un equipo de protección cuando toque la base de la unidad exterior.**
Si no lleva el equipo de protección podría sufrir lesiones.
- **No instale la unidad exterior donde puedan vivir animales pequeños.**
Si los animales penetran en la unidad y tocan las piezas eléctricas podrían provocar fallos de funcionamiento, humos o incendios. Además, aconseje a los usuarios que mantengan limpia el área alrededor de la unidad.
- **No utilice el acondicionador de aire durante la construcción de interiores y la realización de trabajos de acabado, ni mientras encera el suelo.**
Antes de utilizar el acondicionador de aire, ventile bien la habitación una vez realizados este tipo de trabajos. En caso contrario, los elementos volátiles podrían adherirse al interior del acondicionador de aire, provocando fugas de agua o dispersión de la condensación.
- **No instale la unidad en un lugar expuesto a humo, gas o medicamentos.**
El sensor de refrigerante instalado en la unidad interior podría reaccionar y mostrar un error de fuga de refrigerante.
- **Tenga cuidado con la rotación del ventilador cuando el disyuntor esté activado.**
Cuando el sensor de refrigerante detecta la fuga de refrigerante, el ventilador empieza a girar automáticamente. Podría hacerse daño.
- **Si emplea algún tipo de aerosol para la construcción de interiores, los trabajos de acabado o el sellado de un orificio en la pared, desactive el disyuntor y ventile bien la habitación. El sensor de refrigerante puede reaccionar al gas de los espáis y provocar errores de detección.**

1-2. SELECCIÓN DEL LUGAR DE INSTALACIÓN

En este manual sólo se describe la instalación de la unidad interior.
Para instalar la unidad exterior, consulte el manual de instalación de dicha unidad.

UNIDAD INTERIOR

⚠ ⚠ ATENCIÓN

Esta unidad debe instalarse en habitaciones con una superficie de suelo superior a la especificada en el manual de instalación de la unidad exterior.

- Consulte el manual de instalación de la unidad exterior.

Deben cumplirse las siguientes condiciones al instalar las unidades interiores:

- Donde no se obstaculice el flujo de aire.
- Donde el aire frío (o caliente) se pueda propagar por toda la habitación.
- Pared fuerte, sin vibración.
- Donde no esté expuesto a la luz solar directa. Tampoco la deje expuesta a luz solar directa mientras espera para instalarla, después de haberla desembalado.
- Donde pueda drenarse con facilidad.
- A una distancia de 1 m o más del televisor o la radio. El funcionamiento del acondicionador de aire puede interferir con la capacidad de recepción del televisor o la radio. Puede ser necesario conectar el receptor afectado a un amplificador.
- En un lugar lo más alejado posible de fluorescentes o de luces incandescentes. Para que el controlador remoto por infrarrojos funcione con normalidad. El calor desprendido por las luces podría provocar deformaciones y la radiación ultravioleta podría provocar el deterioro.
- Donde el filtro de aire se pueda extraer y remplazar con facilidad.
- Donde se encuentre alejada del resto de fuentes de calor o vapor.
- No instale la unidad en un entorno donde se utilizan equipos de gas propano, butano o metano, aerosoles como insecticidas, equipos que generan humo, material de recubrimiento y medicamentos, o en lugares donde se genera gas a base de azufre.
- El sensor de refrigerante instalado en la unidad interior podría reaccionar y mostrar un error de fuga de refrigerante. Esto podría provocar que la unidad no funcionara.

CONTROLADOR REMOTO

Estas son las condiciones preferibles para guardar un mando a distancia:

- Donde sea fácil de utilizar y de ver.
- Donde los niños no puedan tocarlo.
- Seleccione una posición aproximadamente a 1,2 m sobre el suelo y compruebe que las señales del controlador remoto lleguen correctamente a la unidad interior desde esa posición (sonará un pitido de recepción "pii" o "pii pii").

Nota:

En habitaciones con fluorescentes de tipo inversor, puede que la señal del controlador remoto inalámbrico no se reciba.

Nota:

Para instalar el aparato de aire acondicionado, evite los lugares siguientes donde es más probable que ocurran problemas.

- Donde pueda haber una fuga de gas inflamable.
- Donde haya demasiado aceite para maquinaria.
- Donde pueda haber salpicaduras de aceite o donde impere un ambiente grasiento (como zonas para cocinar y fábricas, donde las partes de plástico se podrían alterar y dañar).
- En ambientes salobres, como las zonas costeras.
- Donde haya gas sulfúrico, como en zonas de baños termales, alcantarillas o aguas residuales.
- Donde haya algún equipo inalámbrico o de alta frecuencia.
- Donde haya elevadas emisiones de COV, incluidos compuestos de ftalato, aldehído fórmico, etc., que puedan causar craqueos.
- El aparato debe almacenarse para evitar que se produzcan averías mecánicas.

Si la conecta a una unidad exterior que utiliza refrigerante R32, instale la unidad interior en una sala cuya zona de suelo sea como mínimo la indicada en Amin, correspondiente a un refrigerante M (refrigerante cargado de fábrica + refrigerante añadido por cada cliente). Para saber la cantidad de refrigerante y la carga adicional de refrigerante, consulte la unidad exterior.

M [kg]	Amin [m ²]
1,00	Sin requisitos
1,10	
1,20	
1,30	
1,40	
1,50	
1,60	
1,70	
1,80	
1,84	
1,90	3,75
2,00	3,95
2,10	4,15
2,20	4,34
2,30	4,54
2,40	4,74

Consulte el manual de instalación de la unidad exterior para saber la carga de refrigerante.

1-3. ESPECIFICACIONES

Modelo	Alimentación *1		Especificaciones de cables *2	Tamaño de tubería (grosor *3, *4, *5, *6)		Grosor del aislamiento *7,*8
	Tensión de régimen	Frecuencia		Gas	Líquido	
MFZ-KT25VG	230 V	50 Hz	Cable de conexión entre unidad interior/exterior 4 almas 2,0 mm ²	ø9,52 mm (0,8 mm)	ø6,35 mm (0,8 mm)	14 mm
MFZ-KT35VG				ø12,7 mm (0,8 mm)		
MFZ-KT50VG				ø15,88 mm (0,8 mm)		
MFZ-KT60VG						

*1 Conecte a un interruptor de alimentación que tenga una separación de 3 mm o más cuando se abra para interrumpir la fase de alimentación de la fuente. (Cuando se cierra el interruptor de alimentación, éste debe desconectar todas las fases).

*2 Utilice cables que se correspondan con el diseño 60245 IEC 57.

*3 Nunca utilice tuberías de grosor menor que el especificado. La resistencia a la presión sería insuficiente.

*4 Utilice una tubería de cobre o una tubería de aleación de cobre sin costuras.

*5 Tenga cuidado de no romper o doblar la tubería cuando la flexione.

*6 El radio de curvatura de la tubería de refrigerante debe ser de 100 mm o más.

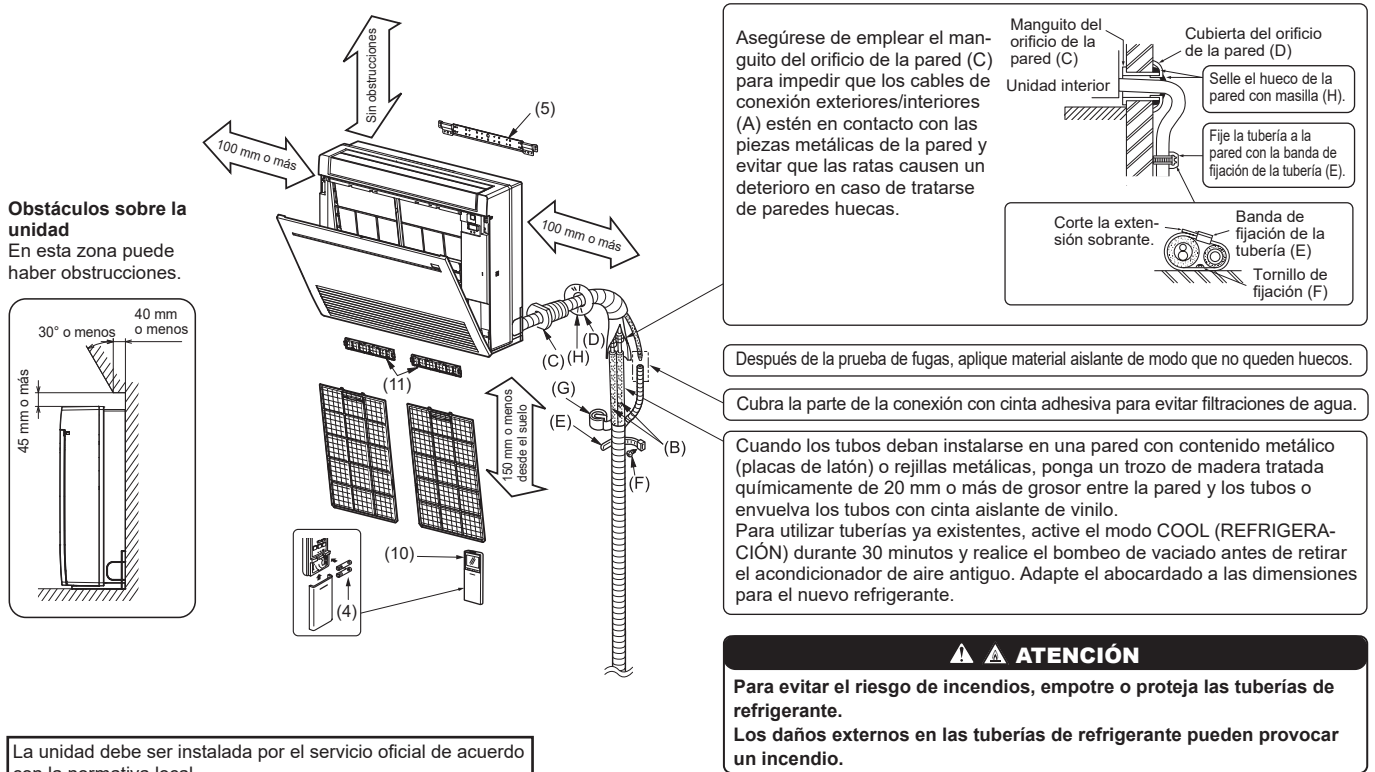
*7 Material aislante: Plástico de espuma termorresistente con un peso específico de 0,045

*8 Asegúrese de utilizar un aislamiento de grosor especificado. Un grosor excesivo puede alterar la correcta instalación de la unidad interior y un grosor insuficiente puede generar goteo de rocío.

1-4. DIAGRAMA DE INSTALACIÓN

Al instalar las unidades exteriores, consulte el manual de instalación de la unidad exterior.

La tabla de especificaciones de las tuberías no indica una longitud mínima del conjunto de conducciones. No obstante, las unidades interiores cuyas tuberías conectadas tengan una longitud inferior a 3 m pueden producir ruidos intermitentes durante el funcionamiento normal del sistema en entornos muy silenciosos. Tenga en cuenta esta importante información cuando instale y coloque la unidad interior dentro del espacio correspondiente.



ACCESORIOS

Antes de la instalación, compruebe las piezas siguientes.

(1)	Manguera de drenaje*	1
(2)	Recubrimiento del tubo	1
(3)	Banda	2
(4)	Batería (AAA) para (10)	2
(5)	SopORTE de montaje de la unidad interior	1
(6)	Tornillo de fijación para (5) 4 × 25 mm	5
(7)	Tirafondo para la fijación de la unidad interior	4
(8)	Arandela para (7)	4
(9)	Cinta de fieltro (para tuberías izquierda o posterior izquierda)	1
(10)	Controlador remoto inalámbrico	1
(11)	Filtro del aire	2
(12)	Tubo de empalme (solo el modelo KT60)	1
(13)	Recubrimiento del tubo para el tubo de empalme (solo el modelo KT60)	1
(14)	Etiqueta del disyuntor	1
(15)	Aviso del disyuntor	1

* Nota:

La manguera de drenaje está conectada a la unidad.

PIEZAS QUE DEBEN SUMINISTRARSE EN LAS INSTALACIONES DEL USUARIO

(A)	Cable de conexión interior/exterior*	1
(B)	Tubería de extensión	1
(C)	Manguito del orificio de la pared	1
(D)	Cubierta del orificio de la pared	1
(E)	Banda de fijación de la tubería	2 - 5
(F)	Tornillo de fijación para (E) 4 × 20 mm	2 - 5
(G)	Cinta para tubería	1
(H)	Masilla	1
(J)	Manguera de drenaje (o PVC blando, manguera de 15 mm de diám. interior o tubo de PVC rígido VP16)	1 ó 2
(K)	Cable de alimentación*	1
(L)	Banda (solo conexión de interfaz Wi-Fi)	2

* Nota:

Tienda el cable de conexión de la unidad interior/ exterior (A) y el cable de alimentación (K) al menos a 1 m de distancia del cable de la antena de televisión.

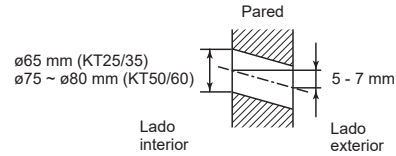
2. INSTALACIÓN DE LA UNIDAD INTERIOR

2-1. FIJACIÓN DEL SOPORTE DE MONTAJE DE LA UNIDAD INTERIOR

- No instale la unidad interior en un lugar con una altura superior a 150 mm.
- Localice un elemento estructural en la pared (como un pilar) y fije el soporte (5) horizontalmente con tornillos de fijación (6).
- Para evitar que vibre el soporte (5), asegúrese de colocar los tornillos de fijación en los orificios que se indican en la ilustración. Si desea una mayor fijación, puede instalar también tornillos en otros orificios.

2-2. TALADRADO DE ORIFICIOS

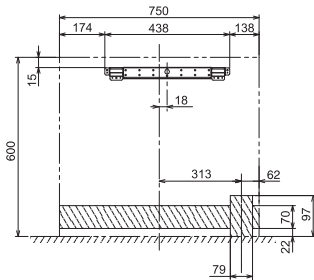
- 1) Determine la posición de los orificios en la pared.
- 2) Taladre un orificio de 65 mm de diámetro (diám. 75 ~ 80 mm para KT50/60). El lado exterior debe quedar entre 5 y 7 mm más bajo que el lado interior.
- 3) Inserte el manguito del orificio de la pared (C).



POSICIONES DE LOS ORIFICIOS

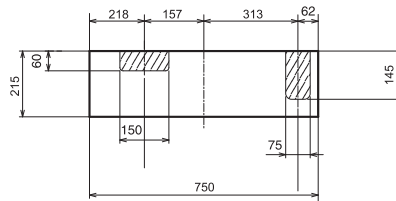
PARA TUBERÍAS POSTERIOR O POSTERIOR IZQUIERDA

(La siguiente figura es una vista frontal de la situación de instalación de la unidad interior.)



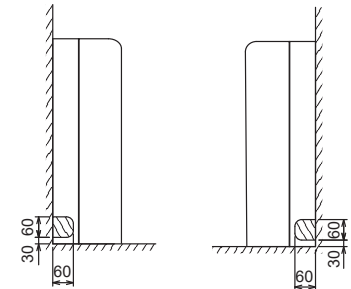
PARA TUBERÍAS DERECHA O IZQUIERDA HACIA ABAJO

(La siguiente figura es una vista desde arriba de la base de la unidad interior.)



TUBERÍA IZQUIERDA

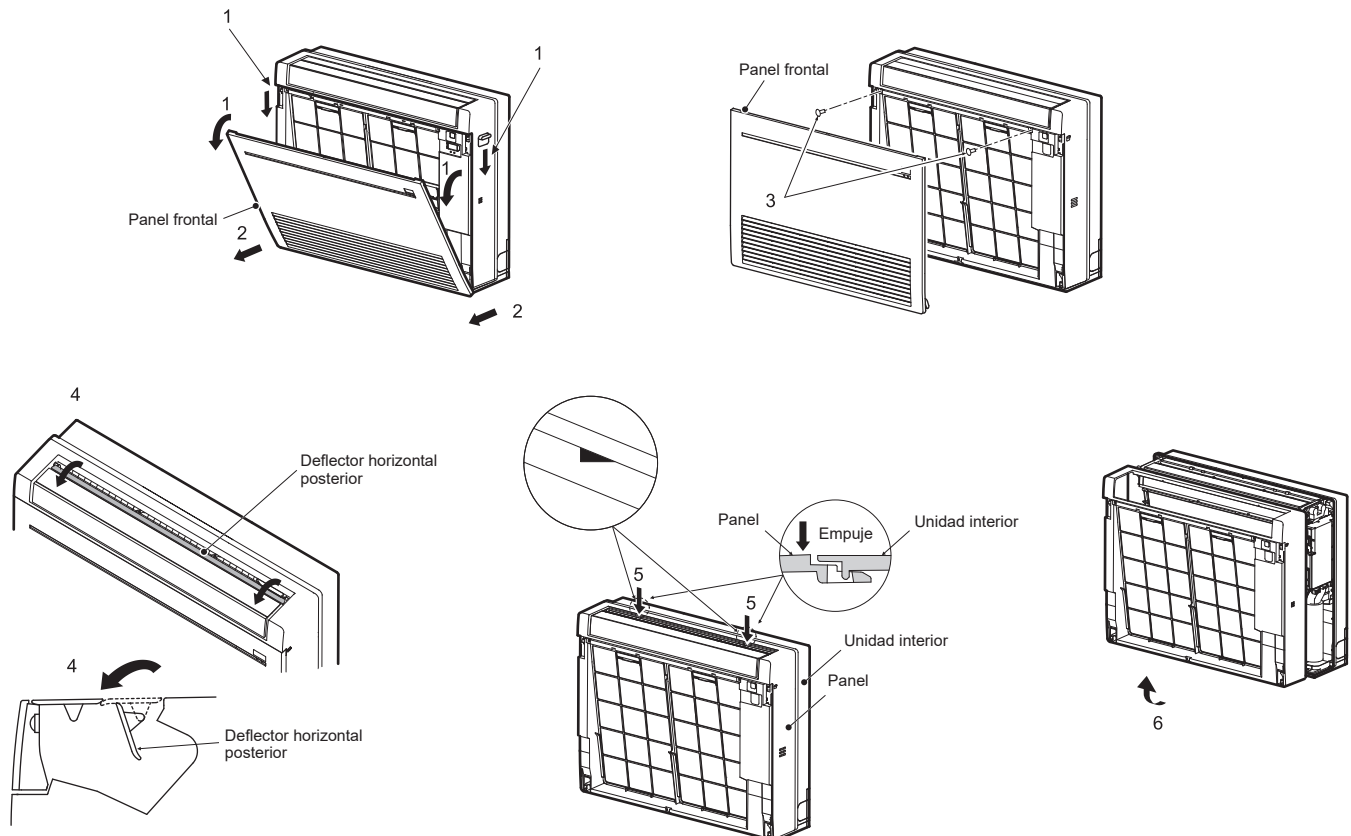
TUBERÍA DERECHA



2-3. PREPARACIÓN DE LA UNIDAD INTERIOR

Retire el panel frontal de la unidad interna.

- 1) Presione las lengüetas en ambos lados de la unidad para abrir el panel frontal.
- 2) Tire del panel frontal hacia usted para extraerlo.
- 3) Retire los 2 tornillos.
- 4) Abra el deflector horizontal posterior.
- 5) Presione en las 2 posiciones de la parte superior del panel y, a continuación, tire de la parte superior del panel en dirección hacia usted.
- 6) Retire el panel mientras lo levanta (ligeramente).



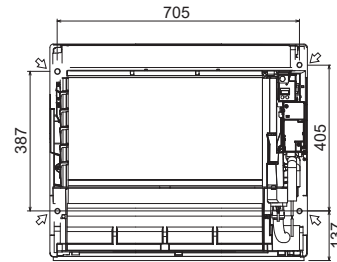
2-4. INSTALACIÓN DE LA UNIDAD INTERIOR

2-4-1. INSTALACIÓN DE LA UNIDAD INTERIOR EN EL SUELO

- 1) Coloque la unidad interior sobre una superficie plana.
- 2) Fije la unidad interior por 4 puntos con los tornillos para madera (7) y las arandelas (8) que se proporcionan. Apriete firmemente los tornillos.

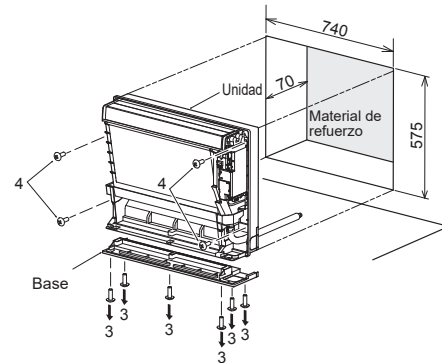
2-4-2. MONTAJE DE LA UNIDAD INTERIOR EN LA PARED

- 1) Enganche el extremo superior de la unidad interior en el soporte de montaje de la unidad interior (5).
- 2) Fije la unidad interior por 4 puntos con los tornillos para madera (7) y las arandelas (8) que se proporcionan. Apriete firmemente los tornillos.



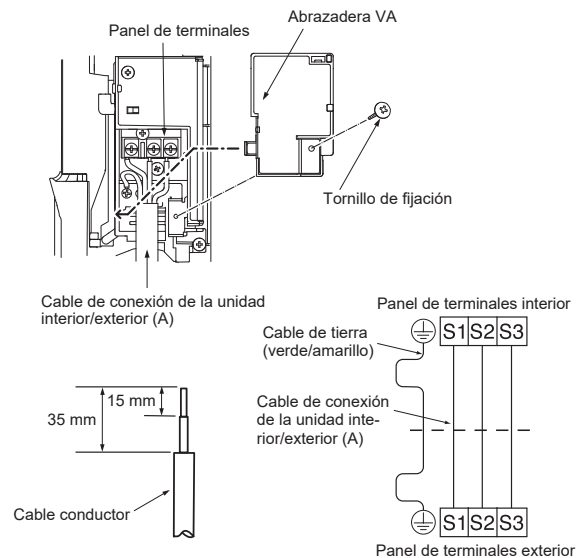
2-4-3. EMPOTRADO DE LA UNIDAD INTERIOR EN UNA PARED

- 1) Haga un orificio en la pared.
- 2) Utilizando material de refuerzo, ajuste la profundidad.
- 3) Extraiga los 6 tornillos que sujetan la base a la unidad. Retire la base de la unidad.
- 4) Fije la unidad interior por 4 puntos con los tornillos para madera (7) y las arandelas (8) que se proporcionan. Apriete firmemente los tornillos.



2-5. CABLES DE CONEXIÓN PARA LA UNIDAD INTERIOR

- 1) Retire la abrazadera VA.
- 2) Pase el cable de conexión de la unidad interior/exterior (A) desde la parte posterior de la unidad interior y procese el extremo del cable.
- 3) Afloje el tornillo del terminal y conecte primero el cable de tierra; a continuación, conecte el cable de conexión de la unidad interior/exterior (A) al panel de terminales. Procure no equivocarse al hacer las conexiones. Fije con firmeza el cable al panel de terminales de modo que no quede a la vista ninguna de sus piezas internas, y que no se aplique ninguna fuerza externa a la sección de conexión del panel de terminales.
- 4) Apriete bien los tornillos de los terminales para que no se aflojen. Una vez apretados, tire ligeramente de los cables para confirmar que no se mueven.
- 5) Fije el cable de conexión de la unidad interior/exterior (A) y el cable de tierra con la abrazadera VA. No olvide enganchar la pestaña izquierda de la abrazadera VA. Coloque la abrazadera VA firmemente.



- El cable de tierra tiene que ser un poco más largo que los otros (más de 45 mm).
- Para el servicio futuro, prolongue el cable de conexión.
- No doble el cable sobrante ni lo almacene en un espacio reducido. Tenga cuidado de no dañar los cables.
- Al fijar el cordón o el cable al panel de terminales, asegúrese de fijar bien cada tornillo a su terminal correspondiente.

⚠ ATENCIÓN

Al instalar la unidad, conecte las tuberías de refrigerante de forma fija antes de poner en marcha el compresor.

2-6. FORMACIÓN E INSTALACIÓN DE LAS TUBERÍAS

Nota: Consulte el punto 3. CONEXIÓN ABOCARDADA, CONEXIÓN DE TUBERÍA.

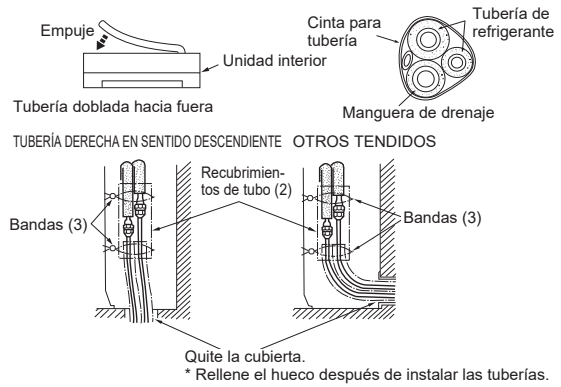
Formación de las tuberías

- Tienda la manguera de drenaje en diagonal por debajo de los tubos de conexión.
- Asegúrese de que la manguera de drenaje no está tendida hacia arriba ni que presenta ondulaciones.
- No tire de la manguera de drenaje y envuélvala con cinta.
- Tienda la tubería de modo que no pase más allá de la parte trasera de la unidad interior. (Consulte la figura de la derecha.)

Conexión de la instalación de tuberías

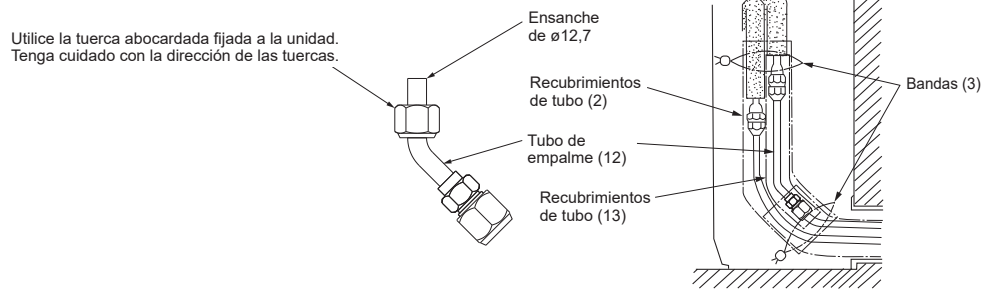
- Instale los tubos de conexión de modo que el conjunto de tuberías se pueda mover ligeramente hacia delante, atrás, izquierda y derecha.
- Cuando retire la cubierta, procure cubrir las tuberías para que no queden expuestas en la habitación después de instalarlas.
- Rellene el hueco después de instalar las tuberías.

- Asegúrese de aislar las tuberías de conexión de modo que no estén en contacto con el panel.
- Tenga cuidado de no partir los tubos de conexión al doblarlos.



Para MFZ-KT60

- Utilice siempre el tubo de empalme (12), ya que en caso contrario no podrá fijar la tubería de extensión de $\varnothing 15,88$.
- Ensanche el tubo de empalme (12) a $\varnothing 12,7$ y coloque el recubrimiento del tubo (13).



PARA TUBERÍAS IZQUIERDA O POSTERIOR IZQUIERDA

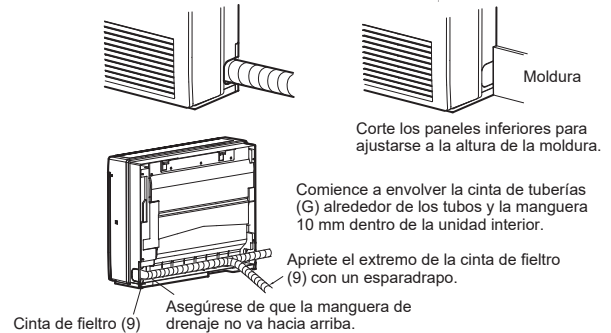
Una los tubos de conexión con la manguera de drenaje y envuélvalos en cinta de fieltro (9).

Corte y uso los paneles inferior a la derecha o izquierda de la unidad interior tal y como se muestra a continuación.

Suavice los cantos de los paneles laterales de modo que no dañen el revestimiento aislante.

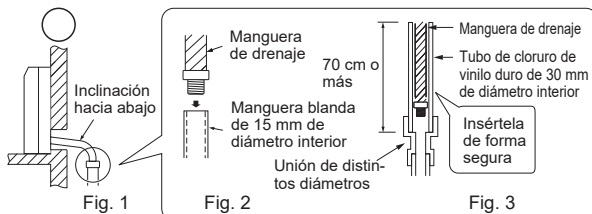
- Para tuberías derecha o izquierda
- Instalación pegada a la pared con moldura

Envuelva fuertemente con la cinta de fieltro (9) los tubos y la manguera comenzando cerca del lugar donde salen de la unidad interior. (La cinta de fieltro (9) no se debe superponer sobre sí misma más de un 1/2 de su ancho.)

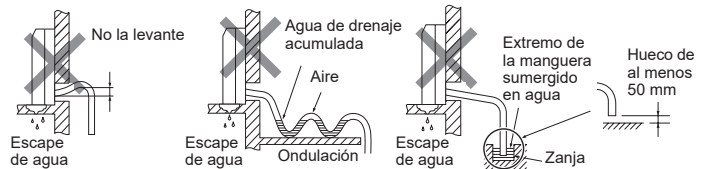


2-7. TUBERÍA DE DRENAJE

- Si la extensión de la manguera de drenaje tiene que pasar por una habitación, no olvide forrarla con aislante (disponible en el mercado).
- La manguera de drenaje debe quedar hacia abajo para facilitar el drenaje. (Fig. 1)
- Si la manguera de drenaje suministrada con la unidad interior es demasiado corta, conéctela con la manguera de drenaje (J) que debe suministrar el distribuidor. (Fig. 2)
- Utilice cinta adhesiva o algún otro material para sellar la conexión entre la manguera de drenaje del producto y la extensión de la manguera de drenaje (16 mm de diámetro interior) (J).
- Al conectar la manguera de drenaje al tubo de cloruro de vinilo duro, asegúrese de que quede fija al insertarla en el tubo. (Fig. 3)

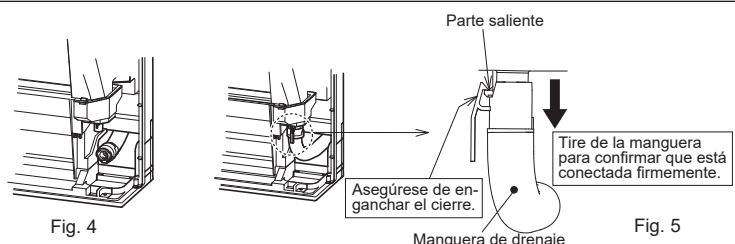


No desagüe las tuberías como se indica a continuación.



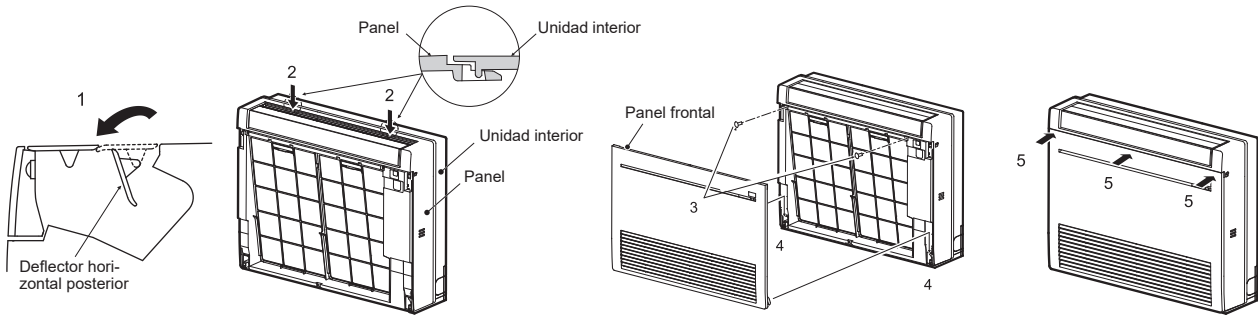
La manguera de drenaje se retira en la instalación.

- Al tender la tubería de drenaje, asegúrese de que la manguera de drenaje (1) se tienda tal y como se indica a continuación. (Fig. 4)
- Inserte la manguera de drenaje hasta llegar a la base del depósito de drenaje (conexión de la tubería). (Fig. 5) Asegúrese de que el cierre de la manguera de drenaje está firmemente enganchado a la parte saliente en el accesorio de la manguera del depósito de drenaje.
- Tras conectar la manguera de drenaje, asegúrese de tirar de la manguera para confirmar que está conectada de forma segura.



2-8. INSTALACIÓN DEL PANEL FRONTAL

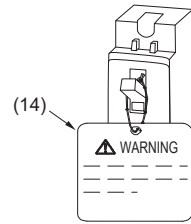
- 1) Abra el deflector horizontal posterior.
- 2) Instale el panel. Asegúrese de que los cierres quedan ajustados.
- 3) Fije el panel con tornillos.
- 4) Inserte la parte inferior del panel frontal.
- 5) Presione en las 3 posiciones de la parte superior del panel central para cerrarlo.



2-9. CÓMO COLOCAR LA ETIQUETA Y LA EXPLICACIÓN

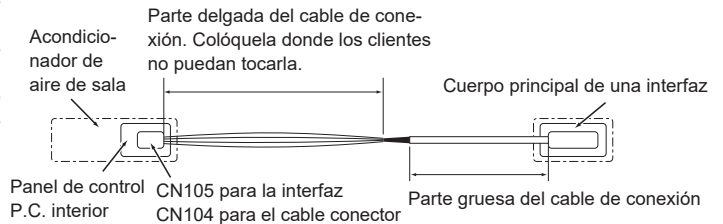
El disyuntor debe estar siempre activado, excepto al realizar operaciones de mantenimiento o inspección. Cuelgue la etiqueta adjunta (14) o (15) en el disyuntor, y comuníquelo a los clientes. Cuando se desactiva el disyuntor, no se suministra alimentación al sensor de refrigerante instalado en la unidad interior y no pueden detectarse las fugas de refrigerante.

Nota: Si las fuentes de alimentación de la unidad interior/exterior tienen un cableado distinto para cada una, cuelgue la etiqueta adjunta (14) o (15) en el disyuntor del lado de la unidad interior, y comuníquelo a los clientes.

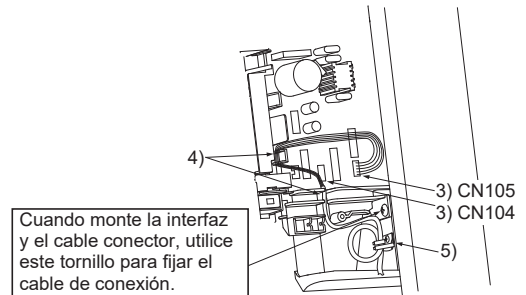


2-10. CONEXIÓN DE UNA INTERFAZ (opcional) O UN CABLE CONECTOR (opcional) AL ACONDICIONADOR DE AIRE

- Conecte una interfaz/un cable conector a la placa de circuito impreso interior del acondicionador de aire mediante un cable de conexión.
- Si corta o empalma el cable de conexión de la interfaz o el cable conector, se producirán problemas en la conexión. No permita que se enrollen entre ellos el cable de conexión con el cable de alimentación, el cable de conexión interior/exterior y el cable de tierra. Mantenga la distancia máxima posible entre el cable de conexión y esos cables.
- La parte delgada del cable de conexión debe guardarse y situarse en un lugar donde los clientes no puedan tocarla.



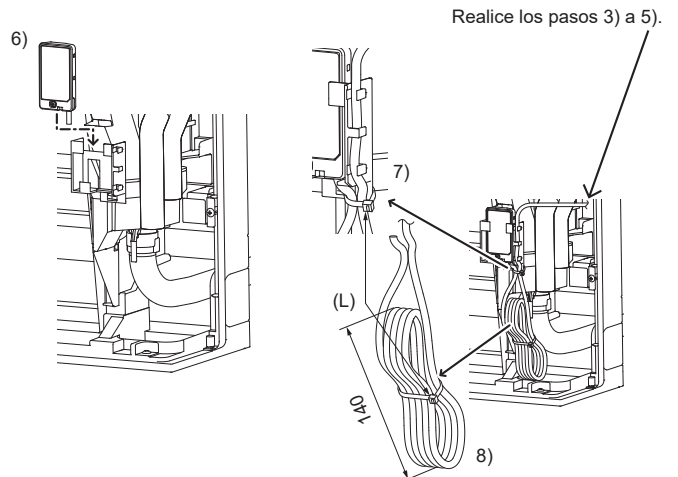
- 1) Retire el panel.
- 2) Abra la cubierta del panel de control P.C. interior.
- 3) Una el cable de conexión a CN105 y/o CN104 en la placa de circuito impreso interior.
- 4) Tienda el cable de conexión a través de este punto en la figura.
- 5) Una la abrazadera de cable suministrada con la interfaz o el cable conector a la parte gruesa del cable de conexión con un tornillo 4 x 16 tal y como se muestra en la figura.
- 6) Cierre la cubierta del panel de control P.C. interior. Tenga cuidado de no enganchar la parte delgada del cable de conexión en la cubierta. Vuelva a instalar el panel.



Nota:

Al conectar la interfaz Wi-Fi (opcional) instale la interfaz en el soporte tal y como se muestra en la figura. Ajuste la longitud del cable y anúdelo tal y como se muestra en la figura.

- 1) Retire el panel.
- 2) Abra la cubierta del panel de control P.C. interior.
- 3) Una el cable de conexión a CN105 en el panel de control P.C. interior.
- 4) Tienda el cable de conexión a través de este punto en la figura.
- 5) Una la abrazadera de cable suministrada con la interfaz o el cable conector a la parte gruesa del cable de conexión con un tornillo 4 x 16 tal y como se muestra en la figura.
- 6) Coloque la interfaz Wi-Fi en el soporte.
- 7) Coloque el cable de conexión en el soporte y fíjelo con la banda (L).
- 8) Ate el cable sobrante con la banda (L). La parte enrollada debe medir unos 140 mm.
- 9) Cierre la cubierta del panel de control P.C. interior. Tenga cuidado de no pillar la parte fina del cable de conexión con la cubierta. Vuelva a instalar el panel.



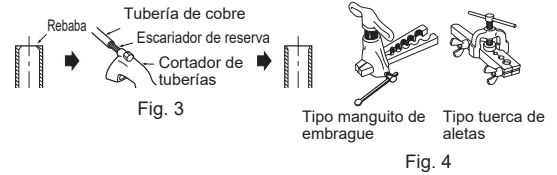
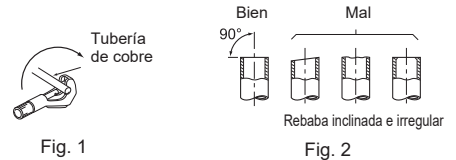
⚠ ATENCIÓN

Fije de forma segura el cable de conexión en la posición prescrita. Una instalación incorrecta puede provocar descargas eléctricas, fuego o fallos de funcionamiento.

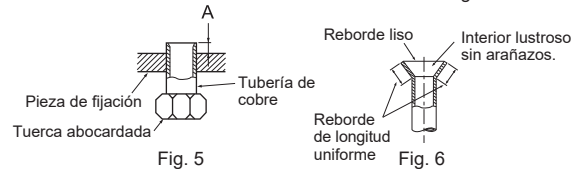
3. CONEXIÓN ABOCARDADA, CONEXIÓN DE TUBERÍA

3-1. TAREAS DE ABOCARDAMIENTO

- 1) Corte el tubo de cobre correctamente con un cortador de tubos. (Fig. 1, 2)
- 2) Elimine completamente las rebabas del corte transversal del tubo. (Fig. 3)
 - Al eliminar las rebabas, ponga el extremo de la tubería de cobre hacia abajo para evitar que queden en el interior.
- 3) Una vez eliminadas las rebabas, extraiga las tuercas abocardadas colocadas en las unidades interior y exterior y póngalas en el tubo. (Cuando se ha terminado el proceso de abocardado ya no se pueden poner).
- 4) Labores de abocardamiento (Fig. 4, 5). Sujete firmemente el tubo de cobre de la dimensión que se muestra en la tabla. Seleccione A mm en la tabla según la herramienta que emplee.
- 5) Compruebe
 - Compare el abocardado con la Fig. 6.
 - Si el abocardado se ve defectuoso, corte la sección abocardada y repita el proceso de abocardado.



Diámetro del tubo (mm)	Tuerca (mm)	A (mm)			Par de torsión	
		Herramienta tipo embrague para R32, R410A	Herramienta tipo embrague para R22	Herramienta tipo tuerca de mariposa para R22	N•m	kgf•cm
ø6,35 (1/4")	17	0 - 0,5	1,0 - 1,5	1,5 - 2,0	14 - 18	140 - 180
ø9,52 (3/8")	22			34 - 42	340 - 420	
ø12,7 (1/2")	26			2,0 - 2,5	49 - 61	490 - 610
ø15,88 (5/8")	29			-	68 - 82	680 - 820

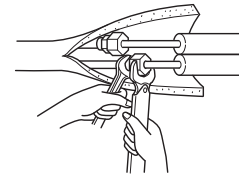


3-2. CONEXIÓN DE TUBERÍAS

- Apriete una tuerca abocardada con una llave dinamométrica tal y como se especifica en la tabla.
- Si la aprieta demasiado, la tuerca abocardada podría romperse transcurrido un tiempo, causando pérdidas de refrigerante.
- Asegúrese de colocar el aislante alrededor de las tuberías. El contacto directo con la tubería puede ocasionar quemaduras o congelación.

Conexión de la unidad interior

- Conecte las tuberías de líquido y de gas a la unidad interior.
- No aplique aceite de refrigeración en las roscas de los tornillos. Un par de apriete excesivo podría dañar el tornillo.
- Para hacer la conexión, alinee primero el centro y luego dele a la tuerca abocardada las primeras 3 a 4 vueltas con la mano.
- Utilice la tabla de pares de torsión que aparece más arriba como guía para la sección de unión lateral de la unidad interior y apriete empleando dos llaves. Procure no apretar demasiado, ya que podría deteriorar la sección abocardada.



⚠ ATENCIÓN
Al instalar la unidad, conecte las tuberías de refrigerante de forma fija antes de poner en marcha el compresor.

⚠ ATENCIÓN

Los conectores mecánicos reutilizables y las juntas abocardadas no pueden instalarse en el interior.
Si suelda las tuberías de refrigerante en vez de utilizar conexiones abocardadas, complete toda la soldadura antes de conectar la unidad interior a la unidad exterior.

4. FUNCIONAMIENTO DE PRUEBA

4-1. FUNCIONAMIENTO DE PRUEBA

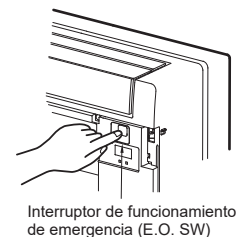
Asegúrese de lo siguiente.

- El panel está instalado correctamente.
 - Las unidades interior y exterior están instaladas correctamente y reciben alimentación.
- 1) Pulse el interruptor E.O. SW una vez para el funcionamiento de REFRIGERACIÓN y dos veces para el funcionamiento de CALFACCIÓN. El funcionamiento de prueba se realizará durante 30 minutos. Si la luz izquierda del indicador de funcionamiento parpadea cada 0,5 segundos, compruebe que el cable de conexión (A) de la unidad interior/exterior no esté mal conectado. Tras el funcionamiento de prueba, se iniciará el modo de emergencia (temperatura de ajuste 24°C).
 - 2) Para detenerlo, pulse varias veces el interruptor E.O. SW hasta que se apaguen todas las luces de los indicadores. Si desea más detalles, consulte el manual de instrucciones.

Verificación de la recepción de señales (infrarrojas) del controlador remoto

Pulse el botón ON/OFF del controlador remoto (10) y compruebe que desde la unidad interior se oye un sonido electrónico. Vuelva a pulsar el botón ON/OFF para apagar el equipo de aire acondicionado.

- Una vez apagado el compresor, se activa el dispositivo de protección del equipo de aire acondicionado que lo mantiene apagado durante 3 minutos.



4-2. FUNCIÓN DE PUESTA EN MARCHA AUTOMÁTICA

Este producto dispone de la función de puesta en marcha automática. Si la alimentación eléctrica falla durante el funcionamiento, por ejemplo si se produce un apagón, esta función hace que una vez reanudada la alimentación el funcionamiento se produzca automáticamente con la configuración anterior. (Si desea más detalles, consulte el manual de instrucciones).

Cuidado:

- Después del funcionamiento de prueba o de la verificación de la recepción de señales remotas, apague la unidad con el interruptor E.O. SW o con el controlador remoto antes de desconectar el enchufe de alimentación. Si no lo hace la unidad se pondrá en marcha automáticamente al volver a conectar la alimentación.

Para el usuario

- Después de instalar la unidad, asegúrese de que explica al usuario los detalles de la función de puesta en marcha automática.
- Si la función de puesta en marcha automática no es necesaria, puede desactivarse. Consulte al representante técnico para desactivar esta función. Si desea más detalles, consulte las instrucciones de funcionamiento.

4-3. EXPLICACIÓN PARA EL USUARIO

- Basándose en el MANUAL DE INSTRUCCIONES, explique al usuario cómo utilizar el equipo de aire acondicionado (cómo utilizar el controlador remoto, como retirar los filtros de aire, cómo retirar o colocar el control remoto en el soporte para el controlador remoto, cómo limpiar, precauciones para el funcionamiento, etc.)
- Aconseje al usuario que lea atentamente el MANUAL DE INSTRUCCIONES.

5. BOMBEO DE VACIADO

Consulte los procedimientos indicados en el manual de instalación de la unidad exterior.

ATENCIÓN

Cuando el circuito de refrigeración tiene una fuga, no realice el bombeo de vaciado con el compresor. Al bombear el refrigerante, detenga el compresor antes de desconectar las tuberías de refrigerante. El compresor podría explotar si entra aire, etc. en su interior.

SOMMARIO





1. PRIMA DELL'INSTALLAZIONE	1	I nomi dei modelli sono indicati in 1-3.
2. INSTALLAZIONE UNITÀ INTERNA	4	
3. COLLEGAMENTO SVASATO, COLLEGAMENTO DEI TUBI	8	Nel presente manuale per l'installazione è descritta solo l'unità interna.
4. FUNZIONAMENTO DI PROVA	8	Per configurare le unità esterne, fare riferimento al manuale di installazione dell'unità esterna.
5. POMPAGGIO	9	

Strumenti necessari per l'installazione

Cacciavite a croce	Attrezzo per svasatura per R32, R410A
Livella	Raccordo del manometro per R32, R410A
Righello graduato	Pompa a depressione per R32, R410A
Coltello multiuso o forbici	Tubo flessibile di carica per R32, R410A
Punta fresa a tazza 75 mm	Tagliatubi con alesatore
Chiave dinamometrica	Bottiglia d'acqua
Chiave (o chiave fissa)	da 0,9 a 1,0 l d'acqua

1. PRIMA DELL'INSTALLAZIONE

SIGNIFICATI DEI SIMBOLI ESPOSTI NELL'UNITÀ INTERNA E/O NELL'UNITÀ ESTERNA

	AVVERTENZA (Rischio di incendio)	Questa unità utilizza un refrigerante infiammabile. Qualora dovesse fuoriuscire o entrare in contatto con il fuoco o con una fonte di calore, il refrigerante darà origine a gas nocivo e rischio di incendio.
		Prima dell'utilizzo, leggere attentamente le ISTRUZIONI PER L'USO.
		Prima dell'utilizzo, il personale di assistenza deve leggere le ISTRUZIONI PER L'USO e il MANUALE PER L'INSTALLAZIONE.
		È possibile trovare ulteriori informazioni nel manuale delle ISTRUZIONI PER L'USO, nel MANUALE PER L'INSTALLAZIONE e documenti simili.

1-1. PRECAUZIONI PER LA SICUREZZA

- Leggere la sezione "PRECAUZIONI PER LA SICUREZZA" da osservare scrupolosamente prima di installare il condizionatore d'aria.
- Osservare sempre le avvertenze e le precauzioni elencate di seguito in quanto esse includono informazioni importanti per la sicurezza.
- Una volta letto il manuale, conservarlo unitamente al LIBRETTO DI ISTRUZIONI per un eventuale riferimento futuro.

AVVERTENZA (Potrebbe provocare decesso, gravi lesioni, ecc.)

- **Non installare l'unità da sé (utente).**
Un'installazione incompleta potrebbe causare incendi, scosse elettriche, lesioni dovute alla caduta dell'unità a perdite d'acqua. Consultare il rivenditore presso cui si è acquistata l'unità oppure un tecnico qualificato.
- **Eseguire l'installazione in modo sicuro facendo riferimento al manuale per l'installazione.**
Un'installazione incompleta potrebbe causare incendi, scosse elettriche, lesioni dovute alla caduta dell'unità a perdite d'acqua.
- **Per procedere in tutta sicurezza all'installazione dell'unità, utilizzare gli strumenti e le attrezzature di protezione adeguati.**
In caso contrario, si rischiano lesioni.
- **Installare saldamente l'unità in una posizione in grado di sostenere il peso dell'unità stessa.**
In caso contrario, l'unità potrebbe cadere e provocare lesioni.
- **I collegamenti elettrici devono essere effettuati da un elettricista qualificato ed esperto, secondo le istruzioni del manuale d'installazione. Utilizzare un circuito dedicato. Non collegare altri dispositivi elettrici al circuito.**
Qualora la capacità del circuito di alimentazione fosse insufficiente o i collegamenti fossero incompleti, potrebbero sussistere rischi di incendio o scosse elettriche.
- **Collegare correttamente a terra l'unità.**
Non collegare la messa a terra con un tubo del gas, dell'acqua, un parafulmine o un filo del telefono. Una messa a terra difettosa potrebbe causare scosse elettriche.
- **Fare attenzione a non danneggiare i fili applicando su di essi una pressione eccessiva con pezzi o viti.**
Fili danneggiati possono provocare incendi o scosse elettriche.
- **Spegnere l'interruttore principale durante l'impostazione del circuito stampato dell'unità interna o l'esecuzione dei cablaggi.**
In caso contrario, si potrebbero verificare scosse elettriche.
- **Utilizzare fili del tipo specificato per collegare le unità interna ed esterna e fissarli saldamente ai terminali in modo che lo sforzo a essi applicato non venga trasferito ai terminali stessi. Non utilizzare prolunghe, né collegamenti intermedi.**
Collegamenti incompleti e un fissaggio insufficiente potrebbero causare incendi.
- **Non installare l'unità in una posizione in cui possono essere presenti perdite di gas infiammabile.**
Se intorno all'unità si dovessero presentare perdite e accumuli di gas, questo potrebbe causare esplosioni.
- **Non utilizzare collegamenti intermedi del cavo di alimentazione o una prolunga e non collegare molti apparecchi a una sola presa di CA.**
Ciò potrebbe causare rischi di incendi o scosse elettriche dovuti a contatti difettosi, isolamento difettoso, eccessivo consumo, ecc.
- **Per il lavoro di installazione, utilizzare i componenti forniti in dotazione o i componenti specificati.**
L'uso di componenti difettosi potrebbe causare rischi di lesioni o perdite di acqua dovuti a incendi, scosse elettriche, cadute dell'unità, ecc.
- **Collegando la spina di alimentazione alla presa, verificare che non vi siano polvere, ostruzioni o parti mancanti nella presa e nella spina. Verificare che la spina di alimentazione sia inserita completamente nella presa.**
In caso di polvere, ostruzioni o parti mancanti sulla spina di alimentazione o sulla presa, potrebbero determinare scosse elettriche o incendi. In caso di parti mancanti nella spina di alimentazione, sostituirle.
- **Montare saldamente il coperchio dei terminali sull'unità interna e il pannello di servizio sull'unità esterna.**
Qualora il coperchio dei terminali dell'unità interna e/o il pannello di servizio dell'unità esterna non fossero montati saldamente, ciò potrebbe causare rischi di incendio o scosse elettriche dovuti a polvere, acqua, ecc.
- **Quando si installa o si riposiziona l'unità, nonché quando se ne esegue la manutenzione, accertarsi che nessuna sostanza oltre il refrigerante specificato (R32/R410A) penetri nel circuito refrigerante.**
La presenza di sostanze estranee come l'aria potrebbe provocare un anomalo aumento della pressione, con conseguente rischio di esplosione o lesioni personali. L'uso di refrigeranti diversi rispetto a quello specificato per il sistema darà luogo a guasti meccanici, malfunzionamenti del sistema o avaria dell'unità. Nell'ipotesi più grave, ciò potrebbe gravemente compromettere la sicurezza d'uso del prodotto.
- **Non apportare modifiche all'unità.**
Ciò potrebbe dar luogo a incendi, scosse elettriche, lesioni personali o perdite d'acqua.
- **Non far uscire il refrigerante nell'atmosfera. In caso di perdite di refrigerante durante l'installazione, aerare il locale. Una volta completata l'installazione, verificare che non vi siano perdite di refrigerante.**
Qualora dovesse fuoriuscire o entrare in contatto con il fuoco o con una fonte di calore come generatore d'aria calda, una stufa al kerosene o un fornello da cucina, il refrigerante darà origine a gas nocivo. Prevedere una ventilazione adeguata in conformità alla norma EN378-1.
- **Per l'installazione utilizzare strumenti e materiali per tubazioni adatti.**
La pressione del R32/R410A è 1,6 volte superiore rispetto a quella del R22. Il mancato utilizzo di strumenti o materiali adatti e l'installazione incompleta potrebbero provocare lesioni o l'esplosione dei tubi.
- **Se il circuito refrigerante presenta una perdita, non eseguire il pompaggio con il compressore. Eseguendo il pompaggio del refrigerante, arrestare il compressore prima di scollegare i tubi del refrigerante.**
Se i tubi del refrigerante sono scollegati mentre il compressore è in funzione e la valvola di arresto è aperta, l'aria potrebbe penetrare e la pressione nel ciclo refrigerante potrebbe aumentare in modo anomalo. Ciò potrebbe provocare lesioni o l'esplosione dei tubi.
- **A seconda del luogo di installazione, installare un interruttore delle perdite a terra.**
In caso contrario, si potrebbero generare scosse elettriche.
- **Installando l'unità, collegare saldamente i tubi del refrigerante prima di azionare il compressore.**
Se si aziona il compressore prima di collegare i tubi del refrigerante e quando la valvola di arresto è aperta, l'aria potrebbe penetrare e la pressione nel ciclo refrigerante potrebbe aumentare in modo anomalo. Ciò potrebbe provocare lesioni o l'esplosione dei tubi.
- **Serrare il dado a cartella con la chiave dinamometrica alla coppia specificata nel presente manuale.**
In caso di serraggio eccessivo, il dado a cartella rischia di rompersi dopo un lungo periodo, con una conseguente perdita di refrigerante.
- **Occorre installare l'unità secondo quanto prescritto dalle leggi nazionali in materia di collegamenti elettrici.**
- **Quando si utilizza un bruciatore o altra attrezzatura che produce fiamme, rimuovere completamente tutto il refrigerante dal condizionatore d'aria e assicurarsi che la zona sia ben ventilata.**
Qualora dovesse fuoriuscire o entrare in contatto con il fuoco o con una fonte di calore, il refrigerante darà origine a gas nocivo e rischio di incendio.
- **Non utilizzare mezzi diversi da quelli consigliati dal produttore per accelerare il processo sbrinamento o per la pulizia.**
- **Questo apparecchio deve essere conservato in una stanza priva di fonti di accensione in continuo funzionamento (ad esempio: fiamme libere, un apparecchio a gas in funzione o una stufa elettrica in funzione).**
- **Non forare né bruciare.**
- **Si tenga presente che i refrigeranti potrebbero essere inodori.**
- **I tubi devono essere protetti dai danni fisici.**
- **L'installazione dei tubi deve essere mantenuta al minimo.**
- **È necessario osservare la conformità con i regolamenti nazionali in materia di gas.**
- **Mantenere le aperture di ventilazione libere da ostruzioni.**
- **Tenere apparecchi a combustione di gas, riscaldatori elettrici e altre sorgenti di fuoco (fonti di ignizione) lontano dalla posizione in cui verranno eseguite installazioni, riparazioni e altre operazioni relative al condizionatore d'aria.**
- **Riporre l'apparecchiatura in un'area ben ventilata le cui dimensioni corrispondano alla superficie della stanza, in base a quanto indicato per il funzionamento.**
- **Non SPEGNERE l'interruttore ad eccezione del caso in cui si avverta odore di bruciatore o durante gli interventi di manutenzione o ispezione.**
Non sarebbe possibile fornire l'alimentazione al sensore del refrigerante montato nell'unità interna e il sensore non sarebbe in grado di rilevare perdite di refrigerante. Ciò potrebbe dar luogo a incendi.
- **Fissare saldamente il cavo di collegamento nella posizione indicata.**
Un'installazione scorretta potrebbe causare scosse elettriche, incendi e/o guasti.

- **Eseguire accuratamente i collegamenti dei tubi e degli scarichi secondo quanto indicato nel manuale per l'installazione.**
Se i collegamenti dei tubi e degli scarichi sono eseguiti in modo scorretto, si possono verificare perdite d'acqua che possono causare danni ai mobili di casa.
- **Non toccare la presa d'aria né le alette di alluminio dell'unità esterna.**
Ciò potrebbe provocare lesioni.
- **Indossare le attrezzature di protezione quando si tocca la base dell'unità esterna.**
In caso di mancato utilizzo delle attrezzature di protezione, potrebbero verificarsi lesioni.

- **Non installare l'unità esterna in luoghi in cui vivono piccoli animali.**
Se piccoli animali penetrano o vengono a contatto con i componenti elettrici interni dell'unità, potrebbero provocare guasti, emissioni di fumo o incendi. Inoltre, informare l'utente della necessità di tenere pulita l'area intorno all'unità.
- **Non azionare il condizionatore d'aria durante le operazioni di costruzione e finitura interna o durante il passaggio della cera sul pavimento.**
Dopo tali operazioni, prima di azionare il condizionatore d'aria, ventilare bene l'ambiente. In caso contrario, gli elementi volatili potrebbero aderire all'interno del condizionatore d'aria, determinando perdite d'acqua o dispersione di condensa.

- **Non installare l'unità in una posizione in cui possono essere presenti fumo, gas o farmaci.**
Il sensore del refrigerante montato nell'unità interna può reagire di conseguenza e visualizzare un errore di perdita di refrigerante.
- **Prestare attenzione alla rotazione della ventola quando l'interruttore è ACCESO.**
Quando il sensore del refrigerante rileva una perdita di refrigerante, la ventola inizia a ruotare automaticamente. Ciò potrebbe causare lesioni.
- **Quando si utilizzano spray aerosol per le operazioni di costruzione e finitura interna o per sigillare un foro nel muro, spegnere l'interruttore e ventilare bene l'ambiente. Il sensore del refrigerante potrebbe reagire al gas contenuto negli spray e la funzione di rilevamento potrebbe essere compromessa.**

1-2. SCELTA DELLA POSIZIONE DI INSTALLAZIONE

Questo manuale descrive solo l'installazione dell'unità interna.
Per l'installazione dell'unità esterna, fare riferimento al manuale per l'installazione dell'unità esterna.

UNITÀ INTERNA

⚠ ⚠ AVVERTENZA

- Installare questa unità in stanze la cui superficie interna superi i valori specificati nel manuale di installazione dell'unità esterna.**
- Fare riferimento al manuale di installazione dell'unità esterna.

Quando si installano le unità interne, devono essere soddisfatte le seguenti condizioni:

- Luoghi in cui il flusso dell'aria non è ostruito.
- Luoghi in cui l'aria fredda (o calda) si diffonde in tutta la stanza.
- Su un muro rigido che non vibri.
- Luoghi in cui l'unità non è esposta alla luce solare diretta. Non esporre alla luce solare diretta anche durante il periodo seguente il disimballaggio e precedente l'utilizzo.
- Luoghi in cui lo scarico avviene con facilità.
- A una distanza di almeno 1 m da televisori e radio. Il funzionamento del condizionatore d'aria può interferire con la ricezione radiofonica o televisiva. È possibile che si renda necessario dotare l'apparecchio disturbato di un amplificatore.
- Il più lontano possibile da lampade fluorescenti o lampadine, per fare in modo che il telecomando possa funzionare normalmente. Il calore proveniente dalle luci potrebbe causare deformazioni e le radiazioni ultraviolette deterioramento.
- Luoghi in cui il filtro dell'aria può essere estratto e inserito nuovamente con facilità.
- Lontano dall'altra fonte di calore o di vapore.
- Non installare l'unità in un ambiente in cui si faccia uso di attrezzature a gas per propano, butano o metano, spray come insetticidi, attrezzatura che generi fumo, vernici e farmaci o in luoghi in cui venga generato gas a base di zolfo.
- Il sensore del refrigerante montato nell'unità interna può reagire di conseguenza e visualizzare un errore di perdita di refrigerante. Ciò può causare un mancato funzionamento dell'unità.

TELECOMANDO

Le seguenti sono le condizioni ideali per conservare il telecomando:

- Luoghi in cui sia facile da utilizzare e ben visibile.
- Fuori dalla portata dei bambini.
- Selezionare una posizione a circa 1,2 m dal suolo, controllare che i segnali del telecomando possano essere ricevuti dall'unità interna da tale posizione (emissione di un segnale acustico singolo o doppio).

Nota:

In una stanza dove vengano utilizzate lampade fluo-rescenti che utilizzano stabilizzatori degli impulsi ad alta tensione o oscillatori a intermittenza, il segnale del telecomando potrebbe non essere ricevuto.

Nota:

Evitare le seguenti posizioni di installazione che possono causare problemi di funzionamento.

- Luoghi in cui si possono verificare perdite di gas infiammabile.
- Luoghi in cui sono depositate grandi quantità di olio lubrificante.
- Luoghi in cui si possono verificare schizzi d'olio o in cui gli ambienti siano intrisi di fumi oleosi (ad esempio cucine o fabbriche, in cui potrebbero verificarsi modifiche o danneggiamenti delle proprietà plastiche).
- In presenza di aria salmastra.
- In presenza di gas solforosi, ad esempio vicino ad una sorgente di acqua calda, acque di scarico, acque reflue.
- In presenza di dispositivi ad alta frequenza o senza fili.
- In presenza di elevati livelli di composti organici volatili, compresi composti di ftalato, formaldeide, ecc., che possono causare cracking chimico.
- L'apparecchio deve essere conservato in modo da evitare che si verifichino danni meccanici.

Se si effettua il collegamento all'unità esterna che utilizza refrigerante R32, effettuare l'installazione dell'unità interna in un ambiente con una superficie Amin o superiore, corrispondente al refrigerante M (refrigerante caricato in fabbrica + refrigerante aggiunto localmente). Per la quantità di refrigerante e la carica di refrigerante aggiuntiva, fare riferimento all'unità esterna.

M [kg]	Amin [m ²]
1,00	Nessun requisito
1,10	
1,20	
1,30	
1,40	
1,50	
1,60	
1,70	
1,80	
1,84	
1,90	3,63
2,00	3,75
2,10	3,95
2,20	4,15
2,30	4,34
2,40	4,54
2,40	4,74

Per la carica di refrigerante, fare riferimento al manuale per l'installazione dell'unità esterna.

1-3. SPECIFICHE

Modello	Alimentatore *1		Specifiche dei cavi *2	Dimensioni tubo (spessore *3, *4, *5, *6)		Spessore isolamento *7, *8
	Tensione nominale	Frequenza		Gas	Liquido	
MFZ-KT25VG	230 V	50 Hz	Cavo di collegamento interno ed esterno 2,0 mm ² a 4 nuclei	ø9,52 mm (0,8 mm)	ø6,35 mm (0,8 mm)	14 mm
MFZ-KT35VG				ø12,7 mm (0,8 mm)		
MFZ-KT50VG				ø15,88 mm (0,8 mm)		
MFZ-KT60VG						

*1 Collegare all'interruttore di alimentazione che presenta un gioco di almeno 3 mm quando viene aperto per interrompere la presa di energia elettrica dalla sorgente. (Quando l'interruttore di alimentazione è disattivato, deve scollegare tutti i poli.)

*2 Utilizzare cavi conformi al modello 60245 IEC 57.

*3 Non utilizzare mai cavi di spessore inferiore a quello specificato. La resistenza alla pressione sarebbe insufficiente.

*4 Utilizzare un tubo di rame o un tubo senza guarnizione in lega di rame.

*5 Prestare attenzione a non schiacciare e a non piegare il tubo durante la piegatura del tubo.

*6 Il raggio di curvatura dei tubi del refrigerante deve essere di almeno 100 mm.

*7 Materiale isolante: schiuma di plastica termoresistente con densità specifica 0,045

*8 Prestare attenzione a utilizzare isolante dello spessore specificato. Uno spessore eccessivo può causare un'installazione non corretta dell'unità interna e uno spessore insufficiente causa condensa.

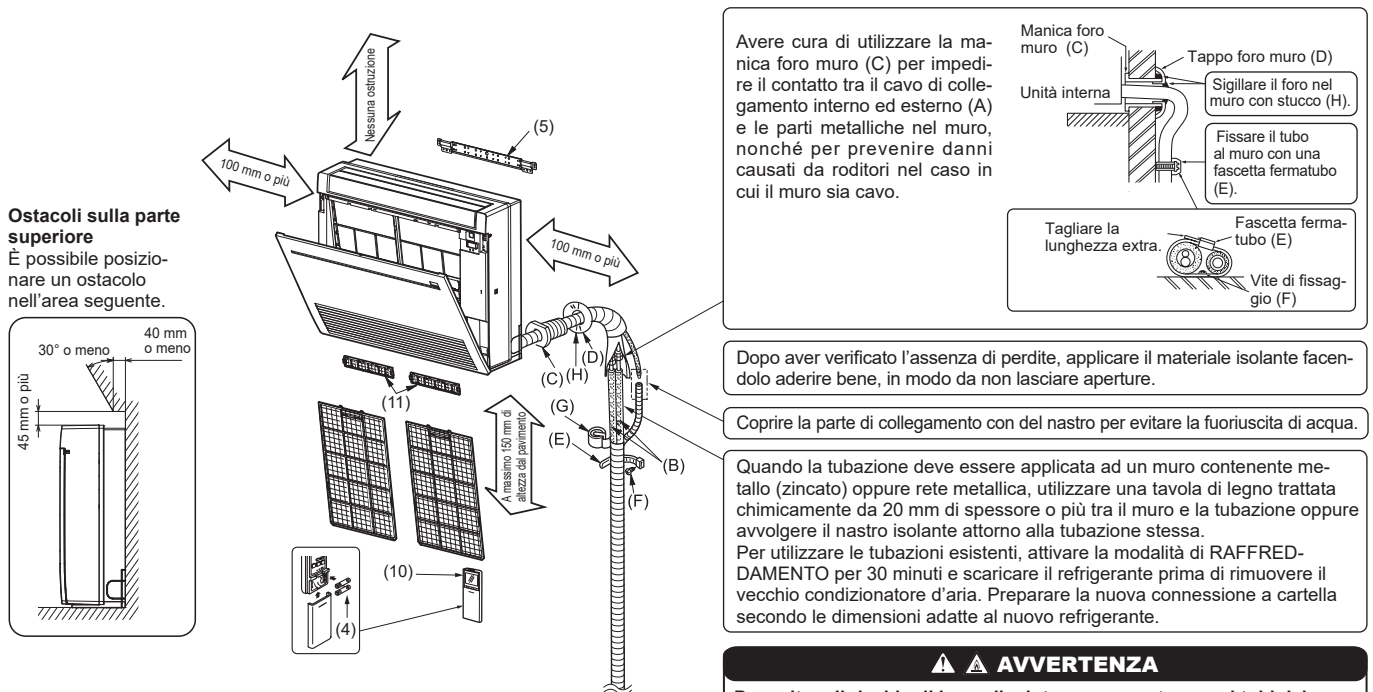
1-4. SCHEMA DI INSTALLAZIONE

Per l'installazione delle unità esterne, fare riferimento al manuale di installazione dell'unità esterna.

La tabella delle specifiche delle tubazioni non indica una lunghezza minima del cavo.

Tuttavia, le unità interne con tubazioni di lunghezza inferiore a 3 m possono emettere un rumore intermittente durante il normale funzionamento del sistema in ambienti molto silenziosi.

Tenere presente queste informazioni importanti durante l'installazione e il posizionamento dell'unità interna all'interno dello spazio condizionato.



Le unità devono essere installate da tecnici qualificati in osservanza delle normative locali.

ACCESSORI

Verificate la presenza delle seguenti parti prima dell'installazione.

(1) Tubo di scarico*	1
(2) Copritubo	1
(3) Fascetta	2
(4) Batteria (AAA) per (10)	2
(5) Staffa di fissaggio unità interna	1
(6) Vite di fissaggio per (5) 4 × 25 mm	5
(7) Vite per legno per il fissaggio dell'unità interna	4
(8) Rondella di (7)	4
(9) Nastro di feltro (usato per la tubazione a sinistra o in basso a sinistra)	1
(10) Telecomando wireless	1
(11) Filtro per la pulizia dell'aria	2
(12) Tubo del giunto (Solo KT60)	1
(13) Copritubo per il tubo del giunto (Solo KT60)	1
(14) Etichetta interruttore	1
(15) Avviso interruttore	1

* Nota:

Il tubo di scarico è collegato all'unità.

PARTI DA FORNIRE PRESSO I LOCALI DEL CLIENTE

(A) Cavo collegamento unità interna ed esterna*	1
(B) Tubo di estensione	1
(C) Manica foro muro	1
(D) Tappo foro muro	1
(E) Fascetta fermatubo	2 - 5
(F) Vite di fissaggio per (E) 4 × 20 mm	2 - 5
(G) Nastro per tubi	1
(H) Stucco	1
(J) Tubo di scarico (tubo in PVC flessibile, diam. interno 15 mm o tubo in PVC rigido VP16)	1 o 2
(K) Cavo di alimentazione*	1
(L) Fascetta (connessione solo tramite interfaccia Wi-Fi)	2

* Nota:

Porre il cavo di collegamento unità interna ed esterna (A) ed il cavo di alimentazione (K) ad almeno 1 metro di distanza dal filo dell'antenna del televisore.

⚠️ ⚠️ AVVERTENZA

Per evitare il rischio di incendio, integrare o proteggere i tubi del refrigerante.

Danni esterni ai tubi del refrigerante possono provocare incendi.

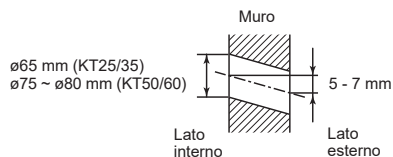
2. INSTALLAZIONE UNITÀ INTERNA

2-1. INSTALLAZIONE DELLA STAFFA DI FISSAGGIO DELL'UNITÀ INTERNA

- Non installare l'unità interna ad altezze superiori a 150 mm.
- Individuare un componente strutturale (ad esempio un pilastro) del muro e montare la staffa (5) orizzontalmente con le apposite viti (6).
- Per impedire che la staffa (5) vibri, avere cura di installare le viti di fissaggio nei fori indicati nell'illustrazione. Per un supporto aggiuntivo, si potranno installare viti di fissaggio anche negli altri fori.

2-2. ESECUZIONE DEL FORO

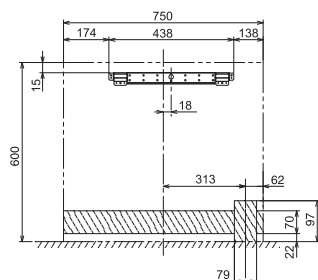
- 1) Determinare la posizione del foro sul muro.
- 2) Praticare un foro del diametro di 65 mm (dia. 75 ~ 80 mm per KT50/60).
Il lato esterno deve essere da 5 a 7 mm più in basso del lato interno.
- 3) Inserire la manica foro muro (C).



POSIZIONI DEI FORI

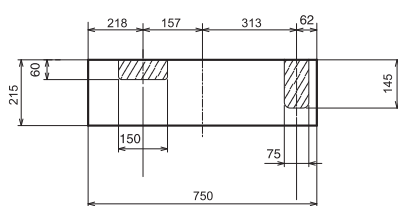
PER TUBAZIONE POSTERIORE O POSTERIORE SINISTRA

(La seguente figura è una vista anteriore della posizione d'installazione dell'unità interna.)

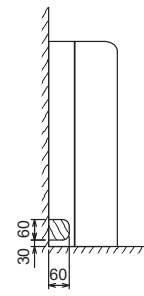


PER TUBAZIONE IN BASSO A DESTRA O IN BASSO A SINISTRA

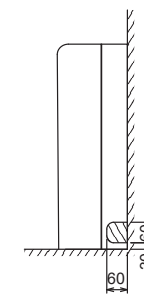
(La seguente figura è la parte inferiore dell'unità interna vista dall'alto.)



PER LA TUBAZIONE DI SINISTRA



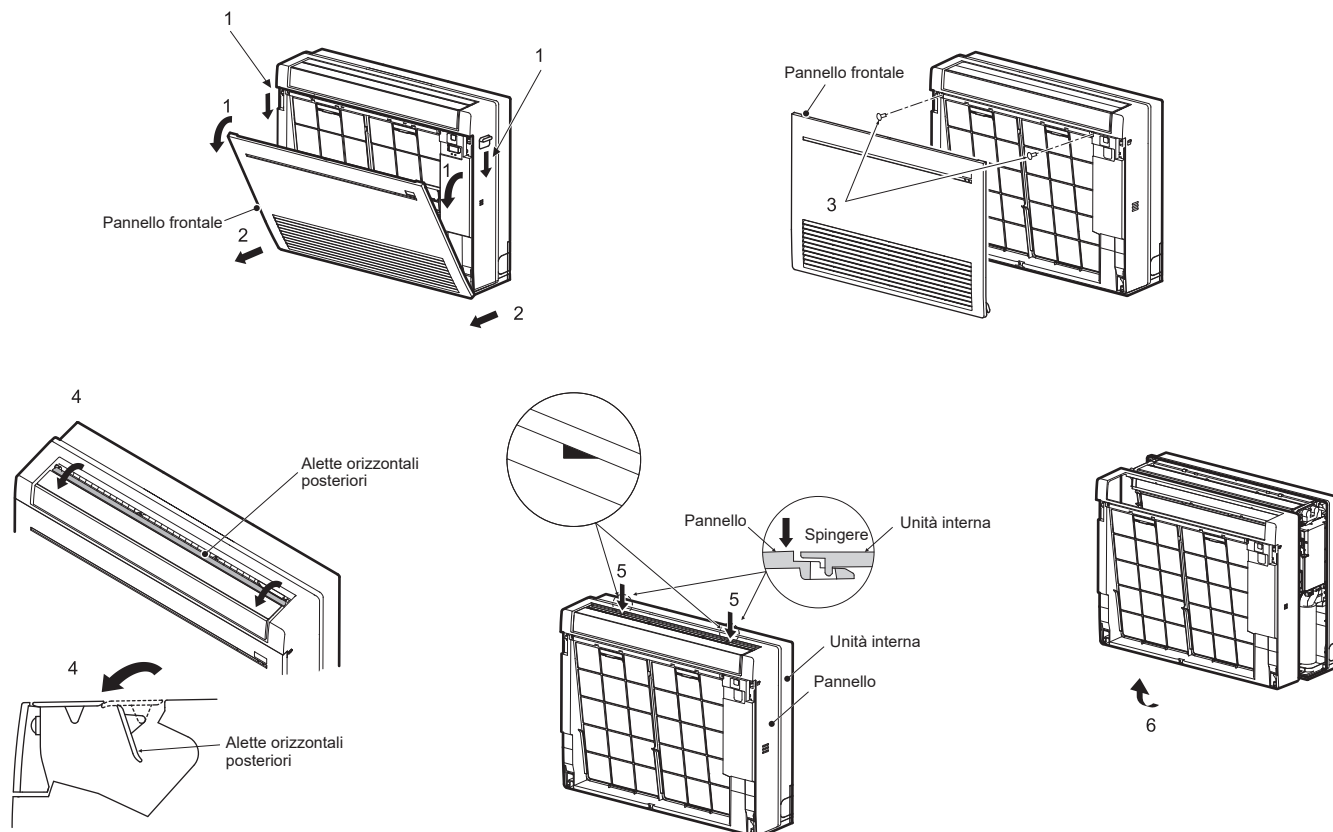
PER LA TUBAZIONE DI DESTRA



2-3. PREPARAZIONE DELL'UNITÀ INTERNA

Rimuovere il pannello frontale dall'unità interna.

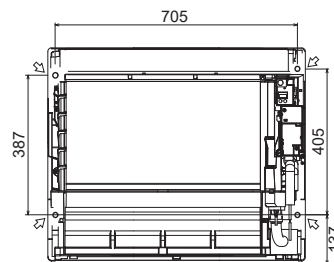
- 1) Premere su entrambe le alette ai lati dell'unità per aprire il pannello anteriore.
- 2) Tirare verso di sé il pannello anteriore per rimuoverlo.
- 3) Rimuovere le 2 viti.
- 4) Aprire le alette orizzontali posteriori.
- 5) Premere nelle 2 posizioni sulla parte superiore del pannello, quindi tirare la parte superiore del pannello verso di sé.
- 6) Rimuovere il pannello sollevandolo (leggermente).



2-4. INSTALLAZIONE DELL'APPARECCHIO INTERNO

2-4-1. INSTALLAZIONE DELL'UNITÀ INTERNA SUL PAVIMENTO

- 1) Collocare l'unità interna su un pavimento piano.
- 2) Fissare l'unità interna in 4 punti mediante le viti di legno (7) e le rondelle (8) in dotazione. Serrare saldamente le viti.

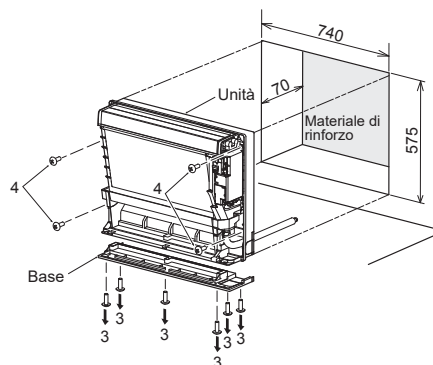


2-4-2. MONTAGGIO DELL'UNITÀ INTERNA SULLA PARETE

- 1) Agganciare la parte superiore dell'unità interna sulla relativa staffa di fissaggio (5).
- 2) Fissare l'unità interna in 4 punti mediante le viti di legno (7) e le rondelle (8) in dotazione. Serrare saldamente le viti.

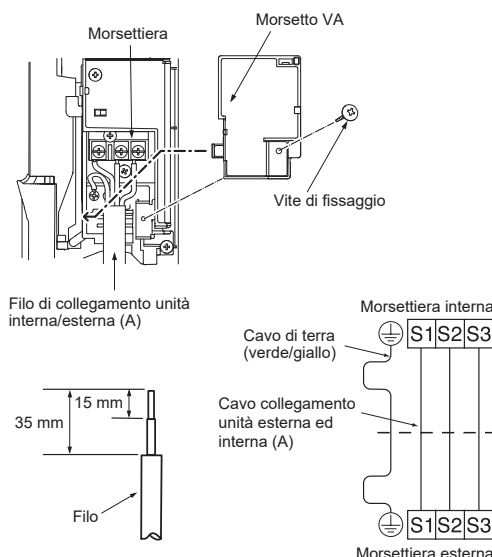
2-4-3. INSERIMENTO DELL'UNITÀ INTERNA IN UNA PARETE

- 1) Praticare un foro nella parete.
- 2) Utilizzando materiale di rinforzo, regolare la profondità.
- 3) Rimuovere le 6 viti che fissano la base all'unità. Staccare la base dall'unità.
- 4) Fissare l'unità interna in 4 punti mediante le viti di legno (7) e le rondelle (8) in dotazione. Serrare saldamente le viti.



2-5. COLLEGAMENTO DEI CAVI DELL'UNITÀ INTERNA

- 1) Rimuovere il morsetto VA.
- 2) Far passare il cavo di collegamento unità interna ed esterna (A) dal retro dell'unità interna e preparare l'estremità del cavo.
- 3) Allentare prima le viti del terminale e collegare prima il cavo di messa a terra, quindi il cavo di collegamento unità interna ed esterna (A) alla morsettieria. Prestare attenzione a eseguire correttamente i collegamenti. Fissare saldamente il cavo alla morsettieria in modo che non siano visibili le parti al suo interno e che non sia esercitata una forza esterna sulla sezione di collegamento della morsettieria.
- 4) Stringere saldamente le viti del terminale onde evitare allentamenti. Dopo aver stretto le viti, tirare leggermente i cavi per verificarne il fissaggio.
- 5) Fissare il cavo di collegamento unità interna ed esterna (A) ed il cavo di terra con il morsetto VA. Agganciare sempre la graffa sinistra del morsetto VA. Fissare saldamente il morsetto VA.



- Il cavo di terra dovrà essere un po' più lungo degli altri. (Più di 45 mm)
- Lasciare una lunghezza extra ai cavi di collegamento per permettere la manutenzione futura.
- Non piegare la parte di filo in eccesso, né stiparla in uno spazio ridotto. Fare attenzione a non danneggiare i fili.
- Assicurarsi di fissare ogni vite al terminale corrispondente al collegamento del cavo e/o del filo alla morsettieria.

⚠ AVVERTENZA

Installando l'unità, collegare saldamente i tubi del refrigerante prima di azionare il compressore.

2-6. DISPOSIZIONE ED INSTALLAZIONE DELLA TUBAZIONE

Nota: Vedere 3. COLLEGAMENTO SVASATO, COLLEGAMENTO DEI TUBI.

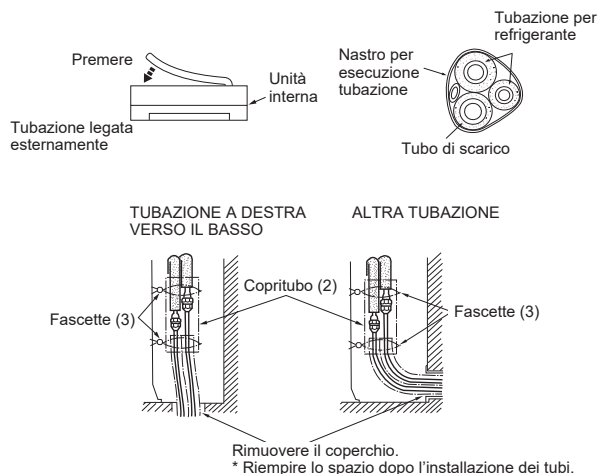
Disposizione della tubazione

- Instradare il tubo di scarico in diagonale sotto i tubi di connessione.
- Accertarsi che il tubo di scarico non sia instradato verso l'alto e che non presenti dislivelli.
- Non tirare il tubo di scarico né avvolgerlo.
- Instradare la tubazione in maniera tale che non si proietti oltre la parte posteriore dell'unità interna. (Vedere la figura a destra.)

Installazione del tubo di collegamento

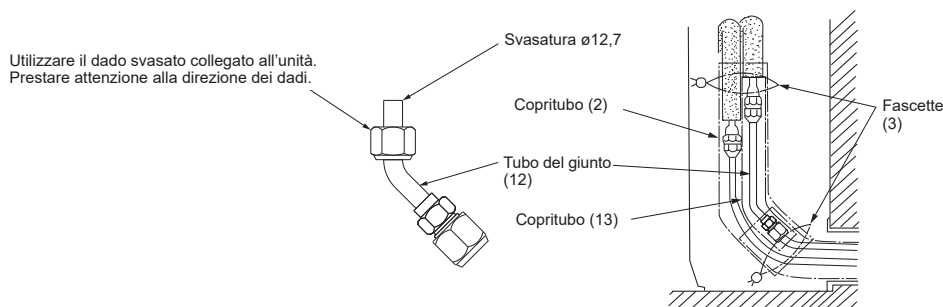
- Installare i tubi di collegamento in maniera tale che la tubazione possa spostarsi leggermente in avanti, indietro, a sinistra e a destra.
- Quando viene rimosso il coperchio, assicurarsi di coprire i tubi in modo che non rimangano esposti all'ambiente dopo la relativa installazione.
- Riempire lo spazio dopo l'installazione dei tubi.

- Non dimenticare di isolare i tubi di collegamento in modo che non siano in contatto con il pannello.
- Fare attenzione a non schiacciare i tubi di collegamento quando li si piega.



Per MFZ-KT60

- Assicurarsi di utilizzare il tubo del giunto (12), altrimenti non sarà possibile collegare il tubo di estensione di $\varnothing 15,88$.
- Svasare il tubo del giunto (12) a $\varnothing 12,7$ e collegare il copritubo (13).



PER LA TUBAZIONE A SINISTRA O DIETRO A SINISTRA

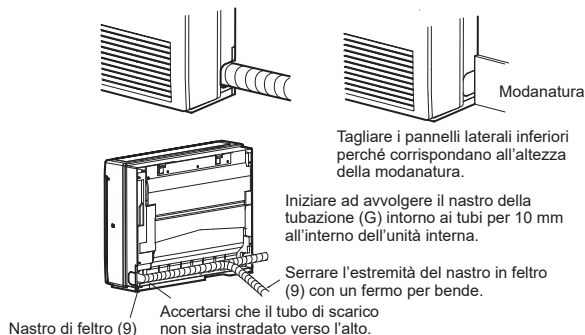
Fasciare insieme i tubi di collegamento e il tubo di scarico e quindi avvolgerli in nastro di feltro (9).

Tagliare e usare i pannelli laterali inferiori sui lati sinistro e destro dell'unità interna come mostrato di seguito.

Uniformare i bordi tagliati dei pannelli laterali in maniera tale che non danneggino il rivestimento isolante.

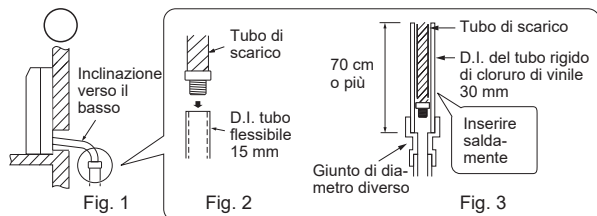
- Per la tubazione sinistra e destra
- installazione del flusso contro una parete con modanatura

Avvolgere il nastro di feltro (9) strettamente intorno ai tubi, iniziando vicino al punto in cui essi sono instradati dall'unità interna. (Lo spazio di sovrapposizione del nastro di feltro (9) non deve essere superiore alla metà della sua lunghezza).

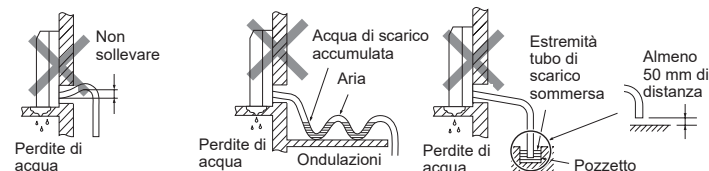


2-7. TUBAZIONE DI SCARICO

- Se il prolungamento del tubo di scarico deve passare per una stanza, avere cura di avvolgerlo sempre con materiale isolante acquistabile presso negozi di ferramenta.
- Per facilitare il deflusso dello scarico, il tubo di scarico deve essere rivolto verso il basso. (Fig. 1)
- Se il tubo di scarico fornito con l'unità interna dovesse risultare troppo corto, collegarlo al tubo di scarico (J) aggiuntivo fornito dal distributore. (Fig. 2)
- Utilizzare nastro adesivo o altro materiale per sigillare il collegamento tra il tubo di scarico del prodotto e la prolunga del tubo di scarico (diametro interno 16 mm) (J).
- Nel collegare il tubo di scarico al tubo rigido in cloruro di vinile, avere cura di inserirlo saldamente all'interno di quest'ultimo. (Fig. 3)

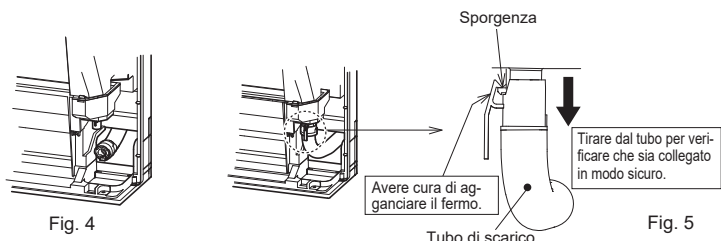


Non posizionare la tubazione di scarico come mostrato sotto.



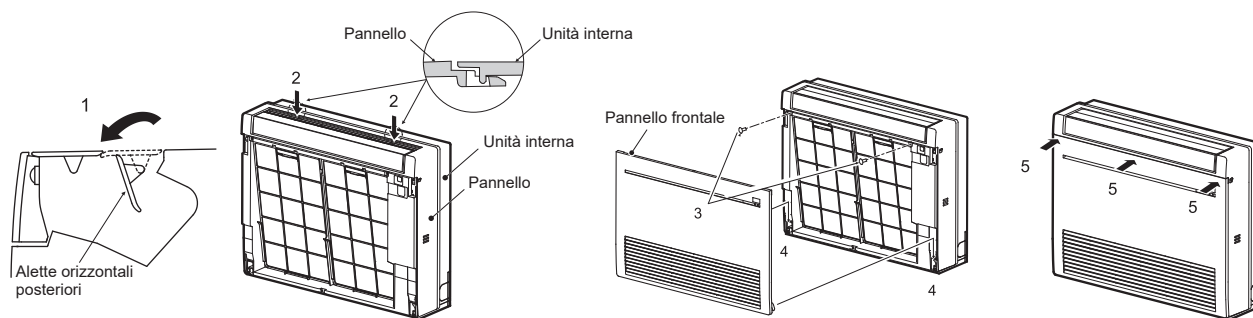
Il tubo di scarico è rimosso al momento dell'installazione.

- Quando si instrada la tubazione di scarico, accertarsi che il tubo di scarico (1) sia instradato come indicato. (Fig. 4)
 - Inserire il tubo di scarico fino alla base della bacinella di scarico (fine collegamento). (Fig. 5)
- Assicurarsi che il fermo del tubo di scarico sia saldamente agganciato sulla sporgenza dell'attacco tubo della bacinella di scarico.
- Dopo aver collegato il tubo di scarico, assicurarsi di tirare dal tubo per verificare che sia collegamento in modo sicuro.



2-8. INSTALLAZIONE DEL PANNELLO ANTERIORE

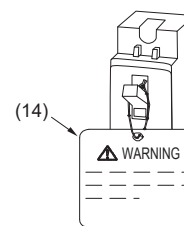
- 1) Aprire le alette orizzontali posteriori.
- 2) Fissare il pannello. Assicurarsi che i fermi siano bene inseriti.
- 3) Fissare il pannello con le viti.
- 4) Inserire la parte inferiore del pannello anteriore.
- 5) Premere nei 3 punti della parte superiore del pannello anteriore per chiuderlo.



2-9. COME APPLICARE L'ETICHETTA E LA SPIEGAZIONE

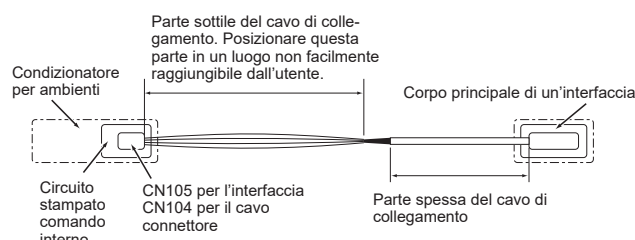
L'interruttore deve essere sempre ACCESO, ad eccezione degli interventi di manutenzione o ispezione. Applicare l'etichetta di accompagnamento (14) o (15) all'interruttore e spiegarla ai clienti. Quando si SPEGNE l'interruttore, non viene fornita alimentazione al sensore del refrigerante montato nell'unità interna e non è possibile rilevare perdite di refrigerante.

Nota: Durante il cablaggio di alimentazioni separate per l'unità interna/unità esterna, applicare l'etichetta di accompagnamento (14) o (15) all'interruttore del lato unità interna e spiegarla ai clienti.

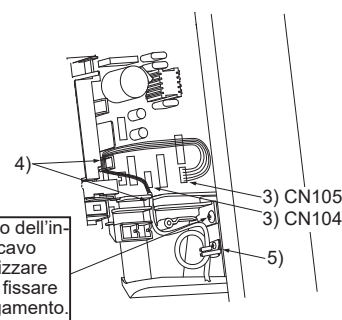


2-10. COLLEGAMENTO DI UN'INTERFACCIA (opzionale)/CAVO CONNETTORE (opzionale) AL CONDIZIONATORE D'ARIA

- Collegare l'interfaccia o il cavo connettore alla scheda del circuito stampato comando interno del condizionatore mediante un cavo di collegamento.
- Tagliando o prolungando il cavo di collegamento dell'interfaccia o del cavo connettore si provocano difetti di collegamento. Non legare il cavo di collegamento con il cavo di alimentazione, il cavo di collegamento interno ed esterno e/o il cavo di terra. Mantenere la massima distanza tra il cavo di collegamento e questi cavi.
- La parte sottile del cavo di collegamento deve essere conservata e posizionata in modo da non essere facilmente raggiungibile dall'utente.



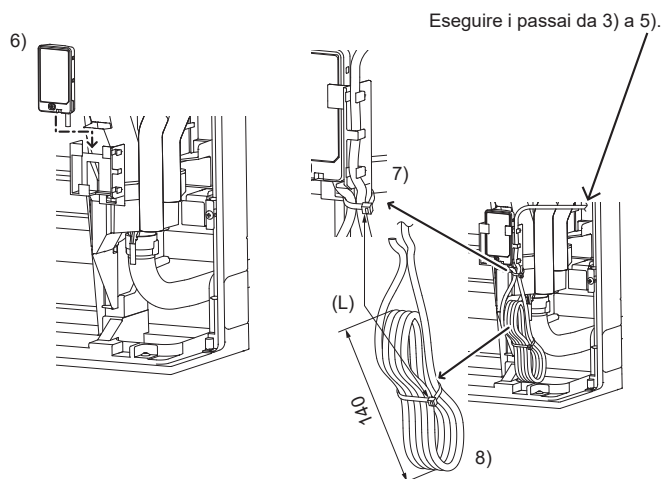
- 1) Togliere il pannello.
- 2) Aprire il coperchio del circuito stampato comando interno.
- 3) Unire il cavo di collegamento a CN105 e/o CN104 sulla scheda del circuito stampato comando interno.
- 4) Far passare il cavo di collegamento in questo punto come mostrato in figura.
- 5) Fissare il fermacavo fornito con l'interfaccia o il cavo connettore alla parte spessa del cavo di collegamento con una vite 4 x 16 come mostrato in figura.
- 6) Chiudere il coperchio del circuito stampato comando interno. Prestare attenzione a non pizzicare la parte sottile del cavo di collegamento nel coperchio. Reinstallare il pannello.



Nota:

Quando si collega l'interfaccia Wi-Fi (opzione), installare l'interfaccia nel supporto come mostrato in figura. Regolare la lunghezza del cavo e lasciarlo come mostrato in figura.

- 1) Rimuovere il pannello.
- 2) Aprire il coperchio del circuito stampato comando interno.
- 3) Collegare il cavo di collegamento a CN105 sulla scheda del circuito stampato comando interno.
- 4) Far passare il cavo di collegamento in questo punto come mostrato in figura.
- 5) Fissare il fermacavo fornito con l'interfaccia o il cavo connettore alla parte spessa del cavo di collegamento con una vite 4 x 16 come mostrato in figura.
- 6) Posizionare l'interfaccia Wi-Fi nel supporto.
- 7) Posizionare il cavo di collegamento nel supporto, poi fissarlo con la fascetta (L).
- 8) Avvolgere il cavo in eccesso con la fascetta (L). La parte arrotolata dovrebbe essere di circa 140 mm.
- 9) Chiudere il coperchio del circuito stampato comando interno. Prestare attenzione a non impigliare la parte sottile del cavo di collegamento nel coperchio. Reinstallare il pannello.



AVVERTENZA

Fissare saldamente il cavo di collegamento nella posizione indicata. Un'installazione scorretta potrebbe causare scosse elettriche, incendi e/o guasti.

3. COLLEGAMENTO SVASATO, COLLEGAMENTO DEI TUBI

3-1. SVASATURA

- 1) Tagliare il tubo di rame in modo corretto con un tagliatubi. (Fig. 1, 2)
- 2) Rimuovere completamente tutte le sbavature dalla sezione di taglio del tubo. (Fig. 3)
 - Quando si rimuovono le sbavature, rivolgere l'estremità del tubo di rame verso il basso onde evitare che le sbavature penetrino nel tubo stesso.
- 3) Rimuovere i dadi svasati applicati alle unità interna ed esterna, quindi inserirli sul tubo dopo aver rimosso completamente le sbavature. (I dadi non possono essere inseriti una volta che l'estremità del tubo è stata svasata.)
- 4) Svasatura (Fig. 4, 5). Tenere saldamente il tubo in rame delle dimensioni indicate nella tabella. Selezionare i mm di A dalla tabella in base allo strumento utilizzato.
- 5) Controllo
 - Confrontare la svasatura con la Fig. 6.
 - Se la svasatura dovesse risultare difettosa, tagliare la parte svasata ed eseguire una nuova svasatura.

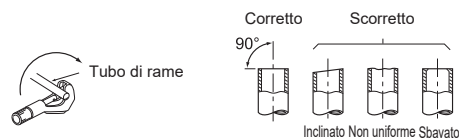


Fig. 1

Fig. 2

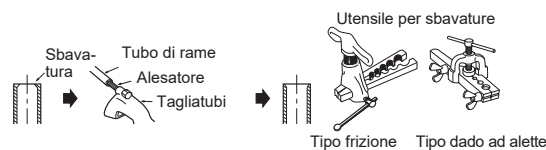


Fig. 3

Fig. 4

Diametro tubo (mm)	Dado (mm)	A (mm)			Coppia di serraggio	
		Strumento tipo frizione per R32, R410A	Strumento tipo frizione per R22	Strumento tipo dado ad alette per R22	N•m	kgf•cm
ø6,35 (1/4")	17	0 - 0,5	1,0 - 1,5	1,5 - 2,0	14 - 18	140 - 180
ø9,52 (3/8")	22			2,0 - 2,5	34 - 42	340 - 420
ø12,7 (1/2")	26			-	49 - 61	490 - 610
ø15,88 (5/8")	29			-	68 - 82	680 - 820

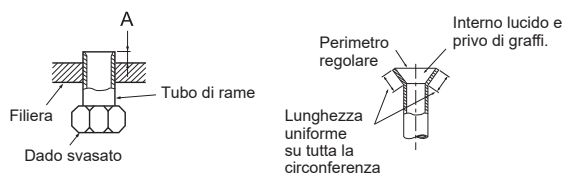


Fig. 5

Fig. 6

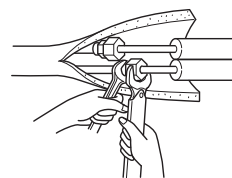
3-2. COLLEGAMENTO DEI TUBI

- Stringere il dado svasato con una chiave dinamometrica come indicato nella tabella.
- In caso sia stato stretto eccessivamente, trascorso un lungo periodo, il dado svasato si può rompere e causare perdite di refrigerante.
- Accertarsi di applicare materiale isolante intorno alle tubature. Il contatto diretto con le tubature non schermate può provocare ustioni o congelamento.

Collegamento unità interna

Collegare le tubazioni per il liquido e per il gas all'unità interna.

- Non applicare olio refrigerante sulle filettature delle viti. Un'eccessiva coppia di serraggio provocherà il danneggiamento della vite.
- Per eseguire il collegamento, prima allineare correttamente il centro, quindi stringere a mano il dado svasato di 3 o 4 giri.
- Utilizzare le coppie di serraggio indicate nella tabella in alto per la giunzione sull'unità interna e stringere utilizzando due chiavi. Un serraggio eccessivo può danneggiare la sezione svasata.



AVVERTENZA

Installando l'unità, collegare saldamente i tubi del refrigerante prima di azionare il compressore.

AVVERTENZA

I connettori meccanici riutilizzabili e i giunti svasati non sono consentiti all'interno.

Durante il collegamento dei tubi del refrigerante mediante brasatura, anziché attraverso raccordi svasati, completare tutte le operazioni di brasatura prima di collegare l'unità interna a quella esterna.

4. FUNZIONAMENTO DI PROVA

4-1. FUNZIONAMENTO DI PROVA

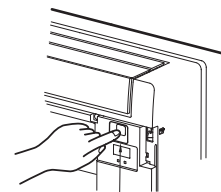
Assicurarsi che vigano le condizioni seguenti.

- Il pannello è installato correttamente.
 - Le unità interna ed esterna sono installate correttamente ed alimentate.
- 1) Premere l'E.O. SW una volta per il funzionamento in modalità RAFFREDDAMENTO (COOL) e due volte per il funzionamento in modalità RISCALDAMENTO (HEAT). Il funzionamento di prova sarà eseguito per 30 minuti. Se la spia sul lato sinistro dell'indicatore di funzionamento lampeggia a intervalli di 0,5 secondi, verificare che il cavo di collegamento unità esterna ed interna (A) sia collegato in modo corretto. Dopo la prova di funzionamento, si avvierà la modalità di emergenza (temperatura impostata a 24°C).
 - 2) Per arrestare il funzionamento, premere l'E.O. SW più volte fino allo spegnimento delle spie LED. Per i dettagli, consultare il libretto di istruzioni.

Controllo della ricezione dei segnali del telecomando (infrarossi)

Premere il tasto ON/OFF del telecomando (10) e verificare che si avverta un suono elettronico proveniente dall'unità interna. Premere di nuovo ON/OFF per spegnere il condizionatore.

- Una volta che il compressore si è arrestato, il dispositivo di prevenzione di riavvio si attiva e il compressore non funzionerà per 3 minuti per proteggere il condizionatore.



Interruttore della modalità di emergenza (E.O. SW)

4-2. FUNZIONE DI RIAVVIO AUTOMATICO

Questo prodotto è dotato di una funzione di riavvio automatico. Quando l'alimentazione elettrica viene interrotta durante il funzionamento, come in caso di blackout, una volta ripristinata l'alimentazione elettrica, la funzione riavvia automaticamente il funzionamento secondo le impostazioni precedenti. (Per i dettagli, consultare il libretto di istruzioni).

Attenzione:

- Terminato il funzionamento di prova o il controllo della ricezione dei segnali del telecomando, spegnere l'unità con l'E.O. SW o con il telecomando prima di interrompere l'alimentazione elettrica. La mancata osservanza di quanto sopra indicato causerà il riavvio automatico dell'unità al momento del ripristino dell'alimentazione elettrica.

Per l'utente

- Una volta installata l'unità, avere cura di spiegare all'utente la funzione di riavvio automatico.
- Nel caso in cui la funzione di riavvio automatico non sia necessaria, può essere disattivata. Consultare il rappresentante dell'assistenza tecnica per disattivare la funzione. Per i dettagli, consultare il manuale di manutenzione.

4-3. SPIEGAZIONE PER L'UTENTE

- Servendosi del LIBRETTO DI ISTRUZIONI, spiegare all'utente come utilizzare il condizionatore d'aria (come utilizzare il telecomando, come rimuovere i filtri dell'aria, come estrarre o inserire il telecomando nel supporto del telecomando, come eseguire la pulizia, le precauzioni per il funzionamento, ecc.)
- Consigliare all'utente di leggere attentamente il LIBRETTO DI ISTRUZIONI.

5. POMPAGGIO

Fare riferimento alle procedure indicate nel manuale per l'installazione dell'unità esterna.

AVVERTENZA

Se il circuito refrigerante presenta una perdita, non eseguire il pompaggio con il compressore. Eseguendo il pompaggio del refrigerante, arrestare il compressore prima di scollegare i tubi del refrigerante. Il compressore potrebbe esplodere se aria ecc. vi penetra all'interno.

ΠΕΡΙΕΧΟΜΕΝΑ

1. ΠΡΙΝ ΤΗΝ ΕΓΚΑΤΑΣΤΑΣΗ	1
2. ΕΓΚΑΤΑΣΤΑΣΗ ΤΗΣ ΕΣΩΤΕΡΙΚΗΣ ΜΟΝΑΔΑΣ	4
3. ΕΚΧΕΙΛΩΜΕΝΗ ΣΥΝΔΕΣΗ, ΣΥΝΔΕΣΗ ΣΩΛΗΝΩΝ	8
4. ΕΛΕΓΧΟΣ ΛΕΙΤΟΥΡΓΙΑΣ	8
5. ΣΥΜΠΙΕΣΗ	9

Τα ονόματα των μοντέλων αναφέρονται στο 1-3.

Αυτό το εγχειρίδιο εγκατάστασης αναφέρεται μόνο στην εσωτερική μονάδα. Για τη ρύθμιση εξωτερικών μονάδων ανατρέξτε στο εγχειρίδιο εγκατάστασης εξωτερικής μονάδας.





Απαιτούμενα εργαλεία για εγκατάσταση

Κατσαβίδι Phillips (σταυροκαταβίδιο)
Αλφάδι με φυσαλίδα νερού
Βαθμονομημένη κλίμακα
Μαχαίρι ή ψαλίδι γενικής χρήσης
Μηχάνημα κυκλικής κοπής 75 mm
Κλειδί ροπτής στρέψης
Κλειδί σύσφιξης (ή αγγλικό κλειδί)

Εργαλείο εκχείλωσης για R32, R410A
Πολλαπλός μετρητής για R32, R410A
Αντλία κενού για R32, R410A
Ελαστικός σωλήνας πλήρωσης για R32, R410A
Κόφτης σωλήνα με διάταξη διαμόρφωσης στομίου
Μπουκάλι νερού
0,9 έως 1,0 L νερού

1. ΠΡΙΝ ΤΗΝ ΕΓΚΑΤΑΣΤΑΣΗ

ΕΡΜΗΝΕΙΑ ΤΩΝ ΣΥΜΒΟΛΩΝ ΠΟΥ ΕΜΦΑΝΙΖΟΝΤΑΙ ΣΤΗΝ ΕΣΩΤΕΡΙΚΉ Ή/ΚΑΙ ΣΤΗΝ ΕΞΩΤΕΡΙΚΉ ΜΟΝΑΔΑ

	ΠΡΟΕΙΔΟΠΟΙΗΣΗ (Κίνδυνος πυρκαγιάς)	Αυτή η μονάδα χρησιμοποιεί εύφλεκτο ψυκτικό υγρό. Αν το ψυκτικό υγρό διαρρεύσει και έρθει σε επαφή με φωτιά ή πηγή θερμότητας, θα δημιουργηθεί επικίνδυνο αέριο και υπάρχει κίνδυνος πρόκλησης πυρκαγιάς.
	Διαβάστε προσεκτικά τις ΟΔΗΓΙΕΣ ΛΕΙΤΟΥΡΓΙΑΣ πριν τη χρήση.	
	Το προσωπικό συντήρησης θα πρέπει να διαβάσει προσεκτικά τις ΟΔΗΓΙΕΣ ΛΕΙΤΟΥΡΓΙΑΣ και το ΕΓΧΕΙΡΙΔΙΟ ΕΓΚΑΤΑΣΤΑΣΗΣ πριν τη χρήση.	
	Περισσότερες πληροφορίες θα βρείτε στις ΟΔΗΓΙΕΣ ΛΕΙΤΟΥΡΓΙΑΣ, στο ΕΓΧΕΙΡΙΔΙΟ ΕΓΚΑΤΑΣΤΑΣΗΣ και στα υπόλοιπα σχετικά έγγραφα.	

1-1. ΤΑ ΠΑΡΑΚΑΤΩ ΠΡΕΠΕΙ ΝΑ ΤΗΡΟΥΝΤΑΙ ΠΑΝΤΑ ΓΙΑ ΛΟΓΟΥΣ ΑΣΦΑΛΕΙΑΣ

- Πριν την εγκατάσταση του κλιματιστικού, διαβάστε την ενότητα "ΤΑ ΠΑΡΑΚΑΤΩ ΠΡΕΠΕΙ ΝΑ ΤΗΡΟΥΝΤΑΙ ΠΑΝΤΑ ΓΙΑ ΛΟΓΟΥΣ ΑΣΦΑΛΕΙΑΣ".
- Καθώς αυτές οι προειδοποιήσεις και προφυλάξεις περιλαμβάνουν σημαντικές πληροφορίες για την ασφάλεια, βεβαιωθείτε ότι τις τηρείτε.
- Αφού διαβάσετε αυτό το εγχειρίδιο, φυλάξτε το μαζί με τις ΟΔΗΓΙΕΣ ΛΕΙΤΟΥΡΓΙΑΣ για να μπορείτε να τα συμβουλευτείτε.

▲ ΠΡΟΕΙΔΟΠΟΙΗΣΗ (Μπορεί να προκληθεί θάνατος, σοβαρός τραυματισμός κτλ.)

- **Μην εγκαθιστάτε μόνοι σας τη μονάδα (για τον χρήστη).**
Ατελής εγκατάσταση μπορεί να προκαλέσει πυρκαγιά, ηλεκτροπληξία, τραυματισμό λόγω πτώσης της μονάδας ή διαρροή νερού. Συμβουλευτείτε τον αντιπρόσωπο από τον οποίο αγοράσατε τη συσκευή ή έναν εξειδικευμένο τεχνικό εγκατάστασης.
- **Εκτελέστε τις εργασίες εγκατάστασης με ασφάλεια, ανατρέχοντας στο εγχειρίδιο εγκατάστασης.**
Ατελής εγκατάσταση μπορεί να προκαλέσει πυρκαγιά, ηλεκτροπληξία, τραυματισμό λόγω πτώσης της μονάδας ή διαρροή νερού.
- **Κατά την εγκατάσταση της μονάδας, χρησιμοποιήστε κατάλληλο εξοπλισμό προστασίας καθώς και εργαλεία για ασφάλεια.**
Αν δεν γίνει κάτι τέτοιο, μπορεί να προκληθεί τραυματισμός.
- **Τοποθετήστε τη μονάδα με ασφάλεια σε μέρος που μπορεί να αντέξει το βάρος της.**
Αν η τοποθεσία της εγκατάστασης δεν μπορεί να αντέξει το βάρος της μονάδας, η μονάδα μπορεί να πέσει προκαλώντας τραυματισμό.
- **Οι ηλεκτρικές εργασίες πρέπει να εκτελούνται από έναν εξουσιοδοτημένο, έμπειρο ηλεκτρολόγο, σύμφωνα με το εγχειρίδιο εγκατάστασης.** Βεβαιωθείτε ότι χρησιμοποιείτε αποκλειστικό κύκλωμα. Μην συνδέετε άλλες ηλεκτρικές συσκευές με το κύκλωμα. Εάν η ισχύς του κυκλώματος είναι ανεπαρκής ή έχουν γίνει ατελείς ηλεκτρολογικές εργασίες, μπορεί να προκληθεί πυρκαγιά ή ηλεκτροπληξία.
- **Γειώστε σωστά τη μονάδα.**
Μην συνδέετε τη γείωση σε σωλήνα αερίου, νερού, σε αλεξικέρανο ή στη γείωση του τηλεφώνου. Η ελαττωματική γείωση μπορεί να προκαλέσει ηλεκτροπληξία.
- **Μην καταστρέφετε τα καλώδια ασκώντας υπερβολική πίεση στα εξαρτήματα ή τις βίδες.**
Τα κατεστραμμένα καλώδια μπορεί να προκαλέσουν πυρκαγιά ή ηλεκτροπληξία.
- **Βεβαιωθείτε ότι έχετε κλείσει το γενικό διακόπτη τροφοδοσίας ρεύματος όταν ρυθμίζετε τον εσωτερικό ηλεκτρολογικό πίνακα ή εκτελείτε εργασίες καλωδίωσης.**
Αν δεν γίνει κάτι τέτοιο, μπορεί να προκληθεί ηλεκτροπληξία.
- **Χρησιμοποιήστε τα καθορισμένα καλώδια για να συνδέσετε την εσωτερική και την εξωτερική μονάδα με ασφάλεια και συνδέστε τα σύμφωνα σφίχτα στους τμηματικούς ακροδέκτες, έτσι ώστε η καταπόνηση από τα καλώδια να μην εφαρμόζεται στις συνδέσεις. Μην επεκτείνετε τα καλώδια και μην χρησιμοποιείτε ενδιάμεση σύνδεση.**
Ατελής σύνδεση και ασφάλιση μπορεί να προκαλέσει πυρκαγιά.
- **Μην εγκαθιστάτε τη μονάδα σε μέρος όπου ενδέχεται να υπάρχει διαρροή εύφλεκτων αερίων.**
Εάν υπάρχει διαρροή αερίου και συσσωρευτεί του γύρω από τη μονάδα, μπορεί να προκληθεί έκρηξη.
- **Μην χρησιμοποιείτε ενδιάμεση σύνδεση του καλωδίου τροφοδοσίας ή του καλωδίου προέκτασης και μην συνδέετε πολλές συσκευές σε μία πρίζα εναλλασσόμενου ρεύματος (AC).**
Μπορεί να προκληθεί πυρκαγιά ή ηλεκτροπληξία λόγω κακής επαφής, κακής μόνωσης, υπέρβασης του επιτρεπόμενου ρεύματος κλπ.
- **Βεβαιωθείτε ότι χρησιμοποιείτε τα ανταλλακτικά που παρέχονται ή που προσδιορίζονται για τις εργασίες εγκατάστασης.**
Η χρήση ελαττωματικών εξαρτημάτων μπορεί να προκαλέσει τραυματισμό ή διαρροή νερού λόγω πυρκαγιάς, ηλεκτροπληξίας, πτώσης της μονάδας κλπ.
- **Όταν συνδέετε το καλώδιο παροχής ρεύματος στην πρίζα, βεβαιωθείτε ότι δεν υπάρχει σκόνη, φράξιμο ή χαλαρά εξαρτήματα τόσο στην πρίζα όσο και στο καλώδιο παροχής ρεύματος.** Βεβαιωθείτε ότι το καλώδιο παροχής ρεύματος έχει εφαρμόσει καλά στην πρίζα. Αν υπάρχουν σκόνη, φράξιμο ή χαλαρά εξαρτήματα στο καλώδιο παροχής ρεύματος ή στην πρίζα, μπορεί να προκληθεί ηλεκτροπληξία ή πυρκαγιά. Αν υπάρχουν χαλαρά εξαρτήματα στο καλώδιο παροχής ρεύματος, αντικαταστήστε τα.
- **Στερεώστε με ασφάλεια το καπάκι του πίνακα της εσωτερικής μονάδας και το φάνωμα συντήρησης της εξωτερικής μονάδας.**
Εάν το καπάκι του πίνακα της εσωτερικής μονάδας ή/και το φάνωμα συντήρησης της εξωτερικής μονάδας δεν στερεωθούν με ασφάλεια, μπορεί να προκληθεί φωτιά ή ηλεκτροπληξία λόγω σκόνης, νερού κλπ.
- **Κατά την εγκατάσταση, μετακίνηση ή συντήρηση της μονάδας, βεβαιωθείτε ότι στον κύκλωμα ψύξης δεν θα εισχωρήσει άλλη ουσία εκτός από το ενδεδειγμένο ψυκτικό (R32/R410A).**
Η παρουσία ξένης ουσίας, όπως ο αέρας, μπορεί να προκαλέσει μη φυσιολογική αύξηση της πίεσης ή να οδηγήσει σε έκρηξη ή τραυματισμό. Η χρήση κάποιου άλλου ψυκτικού υγρού από αυτό που ορίζεται για το σύστημα θα προκληθεί μηχανική βλάβη, δυσλειτουργία του συστήματος ή βλάβη της μονάδας. Στη χειρότερη περίπτωση, αυτό ενδέχεται να έχει σοβαρές επιπτώσεις στην ασφάλεια του προϊόντος.
- **Μην πραγματοποιείτε τροποποιήσεις στη μονάδα.**
Ενδέχεται να προκληθεί πυρκαγιά, ηλεκτροπληξία, τραυματισμός ή διαρροή νερού.
- **Μην εκλύετε το ψυκτικό στην ατμόσφαιρα.** Αν διαρρεύσει ψυκτικό κατά την εγκατάσταση, αερίστε το δωμάτιο. Βεβαιωθείτε ότι δεν υπάρχει διαρροή ψυκτικού αερίου μετά την ολοκλήρωση της εγκατάστασης. Εάν το ψυκτικό υγρό διαρρεύσει και έρθει σε επαφή με φωτιά ή μια πηγή θερμότητας, όπως αερόθερμο, σόμπα κηροζίνης ή φούρνο, το αέριο που παράγεται είναι επιβλαβές. Φροντίστε για τον εξερισμό σύμφωνα με το EN378-1.
- **Χρησιμοποιήστε κατάλληλα εργαλεία και υλικά σωληνώσεων για την εγκατάσταση.**
Η πίεση του R32/R410A είναι 1,6 φορές μεγαλύτερη από την πίεση του R22. Η μη χρήση των κατάλληλων εργαλείων ή υλικών και η ατελής εγκατάσταση ενδέχεται να προκαλέσει διαρροή των σωληνών ή τραυματισμό.
- **Όταν το κύκλωμα ψύξης έχει διαρροή, μην εκτελείτε εκκένωση με τον συμπίεστη.** Κατά την εκκένωση του ψυκτικού, σταματήστε το συμπίεστη πριν αποσυνδέσετε τις ψυκτικές σωληνώσεις. Αν οι ψυκτικές σωληνώσεις αποσυνδεθούν ενώ λειτουργεί ο συμπίεστης και η ανασταλτική βαλβίδα είναι ανοιχτή, ενδέχεται να εισρεύσει αέρας και η πίεση στον κύκλο ψύξης να γίνει υπερβολικά υψηλή. Κάτι τέτοιο ενδέχεται να προκαλέσει διάρρηξη των σωληνών ή τραυματισμό.
- **Εγκαταστήστε έναν ασφαλειοδιακόπτη διαφυγής γείωσης στο μέρος της εγκατάστασης.**
Εάν δεν γίνει εγκατάσταση ασφαλειοδιακόπτη διαφυγής γείωσης, μπορεί να προκληθεί ηλεκτροπληξία.
- **Κατά την εγκατάσταση της μονάδας, συνδέστε με ασφάλεια τους ψυκτικούς σωλήνες πριν βάλετε σε λειτουργία το συμπίεστη.**
Αν ο συμπίεστης τεθεί σε λειτουργία πριν συνδεθούν οι ψυκτικοί σωλήνες και ενώ η ανασταλτική βαλβίδα είναι ανοιχτή, ενδέχεται να εισρεύσει αέρας και η πίεση στον κύκλο ψύξης να γίνει υπερβολικά υψηλή. Κάτι τέτοιο ενδέχεται να προκαλέσει διάρρηξη των σωληνών ή τραυματισμό.
- **Σφίξτε το παξιμάδι εκχείλωσης με ροπτόκλειδο, όπως ορίστηκε στο παρόν εγχειρίδιο.**
Εάν το σφίξετε πολύ, το παξιμάδι εκχείλωσης μπορεί να σπάσει μετά από μεγάλο χρονικό διάστημα και να προκαλέσει διαρροή ψυκτικού μέσου.
- **Η εγκατάσταση της μονάδας θα γίνει σύμφωνα με τους εθνικούς κανονισμούς περί καλωδιώσεων.**
- **Όταν χρησιμοποιείτε έναν καυστήρα αερίου ή άλλο εξοπλισμό που παράγει φλόγα, αφαιρέστε τελείως όλο το ψυκτικό υγρό από το κλιματιστικό και βεβαιωθείτε ότι η περιοχή αερίζεται καλά.**
Αν το ψυκτικό υγρό διαρρεύσει και έρθει σε επαφή με φωτιά ή πηγή θερμότητας, θα δημιουργηθεί επικίνδυνο αέριο και υπάρχει κίνδυνος πρόκλησης πυρκαγιάς.
- **Για την επιτάχυνση της διαδικασίας απόψυξης ή τον καθαρισμό, μη χρησιμοποιείτε άλλα μέσα από αυτά που συνιστά ο κατασκευαστής.**
- **Η συσκευή πρέπει να αποθηκεύεται σε χώρο όπου δεν υπάρχουν πηγές ανάφλεξης σε συνεχή λειτουργία (για παράδειγμα: γυμνές φλόγες, ενεργή συσκευή αερίου ή ενεργό ηλεκτρικό αερόθερμο).**
- **Μην τρυπάτε ή καίτε τη συσκευή.**
- **Έχετε υπόψη ότι τα ψυκτικά υγρά ενδέχεται να είναι άσπρα.**
- **Η σωληνώση πρέπει να προστατεύεται από υλικές ζημιές.**
- **Η σωληνώση πρέπει να διατηρείται στο ελάχιστο μήκος.**
- **Πρέπει να τηρούνται οι εθνικοί κανονισμοί σχετικά με το αέριο.**
- **Μη φράζετε τα απαιτούμενα ανοίγματα αερισμού.**
- **Κρατήστε μακριά συσκευές καύσης αερίου, ηλεκτρικές θερμάστρες και άλλες πηγές φωτιάς (πηγές ανάφλεξης) από τον χώρο όπου πρόκειται να πραγματοποιηθούν εργασίες εγκατάστασης, επισκευής και άλλες εργασίες στο κλιματιστικό.**
- **Η συσκευή πρέπει να φυλάσσεται σε καλά αεριζόμενο χώρο, όπου το μέγεθος του δωματίου αντιστοιχεί στο εμβαδόν του δωματίου που έχει καθοριστεί για τη λειτουργία.**
- **Μην απενεργοποιείτε τον ασφαλειοδιακόπτη, παρά μόνο σε περίπτωση οσμής καμένου ή κατά την εκτέλεση συντήρησης ή επιθεώρησης.**
Δεν είναι δυνατή η παροχή ισχύος προς τον αισθητήρα ψυκτικού που είναι προσταρημένος στην εσωτερική μονάδα και δεν είναι δυνατή η ανίχνευση της διαρροής ψυκτικού από τον αισθητήρα. Με αυτές τις συνθήκες, μπορεί να προκληθεί πυρκαγιά.
- **Στερεώστε σταθερά το καλώδιο σύνδεσης στην προδιαγεγραμμένη θέση.**
Η λανθασμένη εγκατάσταση ενδέχεται να προκαλέσει ηλεκτροπληξία, πυρκαγιά ή/και δυσλειτουργία.

- **Εκτελέστε τις εργασίες αποστράγγισης/σωληνώσεων με ασφάλεια σύμφωνα με το εγχειρίδιο εγκατάστασης.**
Αν υπάρχει κάποια κακοτεχνία στις εργασίες αποστράγγισης/σωληνώσεων, ενδέχεται να στάζει νερό από τη μονάδα και τα οικιακά είδη να βραχούν και να καταστραφούν.
- **Μην αγγίζετε το στόμιο εισόδου αέρα ή τα πτερύγια αλουμινίου της εξωτερικής μονάδας.**
Κάτι τέτοιο μπορεί να προκαλέσει τραυματισμό.
- **Φοράτε εξοπλισμό προστασίας όταν αγγίζετε τη βάση της εξωτερικής μονάδας.**
Αν δεν φοράτε τον εξοπλισμό προστασίας, ενδέχεται να προκληθεί τραυματισμός.
- **Μην εγκαθιστάτε την εξωτερική μονάδα σε μέρος όπου μπορεί να ζουν μικρά ζώα.**
Αν μικρά ζώα μπουν και αγγίζουν τα ηλεκτρικά εξαρτήματα μέσα στη μονάδα, μπορεί να προκληθεί δυσλειτουργία, εκπομπή καπνού ή πυρκαγιά. Επίσης, συμβουλευτείτε τους χρήστες να διατηρούν καθαρή την περιοχή γύρω από τη μονάδα.
- **Μη χρησιμοποιείτε το κλιματιστικό όταν πραγματοποιούνται κατασκευαστικές εργασίες και εργασίες φινιρίσματος σε εσωτερικό χώρο ή κατά το κέρωμα του δαπέδου.**
Πριν τη λειτουργία του κλιματιστικού και μετά την ολοκλήρωση τέτοιου είδους εργασιών, αερίστε το χώρο καλά. Διαφορετικά, ενδέχεται να προσκολληθούν πτητικά στοιχεία στο εσωτερικό του κλιματιστικού, τα οποία μπορεί να προκαλέσουν διαρροή νερού ή διασκορπισμό σταγονιδίων υγρασίας.
- **Μην εγκαθιστάτε τη μονάδα σε μέρος που ενδέχεται να γεμίσει με καπνό, αέριο ή φαρμακευτικές ουσίες.**
Ο αισθητήρας ψυκτικού που είναι προσαρτημένος στην εσωτερική μονάδα ενδέχεται να αντιδράσει με αυτά και να εμφανιστεί σφάλμα διαρροής ψυκτικού.
- **Προσέχετε για τυχόν περιστροφή του ανεμιστήρα όταν ο ασφαλειοδιακόπτης είναι ενεργοποιημένος.**
Όταν ο αισθητήρας ψυκτικού ανιχνεύσει διαρροή ψυκτικού, ο ανεμιστήρας αρχίζει να περιστρέφεται αυτόματα. Υπάρχει κίνδυνος τραυματισμού.
- **Όταν χρησιμοποιείτε κάποιο σπρέι αερολύματος για εσωτερικές κατασκευές, εργασίες φινιρίσματος ή σφράγιση ανοίγματος τούχου, απενεργοποιήστε τον ασφαλειοδιακόπτη και αερίστε καλά το δωμάτιο. Ο αισθητήρας ψυκτικού μπορεί να αντιδράσει στο αέριο των σπρέι και η λειτουργία ανίχνευσης να μην εκτελείται σωστά.**

1-2. ΕΠΙΛΟΓΗ ΤΗΣ ΘΕΣΗΣ ΕΓΚΑΤΑΣΤΑΣΗΣ

Στο παρόν εγχειρίδιο περιγράφεται μόνο η εγκατάσταση της μονάδας εσωτερικού χώρου.

Για την εγκατάσταση της μονάδας εξωτερικού χώρου, ανατρέξτε στο εγχειρίδιο εγκατάστασης της μονάδας εξωτερικού χώρου.

ΕΣΩΤΕΡΙΚΗ ΜΟΝΑΔΑ

ΠΡΟΕΙΔΟΠΟΙΗΣΗ

Η μονάδα αυτή θα πρέπει να τοποθετείται σε χώρους που διαθέτουν μεγαλύτερη επιφάνεια δαπέδου από αυτήν που προσδιορίζεται στο εγχειρίδιο εγκατάστασης της εξωτερικής μονάδας.

- Ανατρέξτε στο εγχειρίδιο εγκατάστασης της εξωτερικής μονάδας.

Οι ακόλουθες συνθήκες θα πρέπει να ικανοποιούνται κατά την εγκατάσταση των εσωτερικών μονάδων:

- Σε μέρος όπου η ροή αέρα δεν εμποδίζεται.
- Σε μέρος όπου ο ψυχρός (ή ο θερμός) αέρας διαχέεται σε όλο το χώρο.
- Άκαμπος τοίχος χωρίς κραδασμούς.
- Σε μέρος όπου δεν θα εκτίθεται απευθείας σε ηλιακό φως. Επίσης, αποφεύγετε την απευθείας έκθεση στον ήλιο κατά την περίοδο μετά την αποσυσκευασία και πριν τη χρήση.
- Σε μέρος όπου διευκολύνεται η αποστράγγιση.
- Σε απόσταση τουλάχιστον 1 m από την τηλεόραση και το ραδιόφωνο. Η λειτουργία του κλιματιστικού ενδέχεται να δημιουργεί παρεμβολές στη ραδιοφωνική ή τηλεοπτική λήψη. Μπορεί να απαιτείται εγκατάσταση ενισχυτή για τη συσκευή που επηρεάζεται.
- Στη μεγαλύτερη δυνατή απόσταση από λάμπες φθορίου και πυρακτώσους. Έτσι ώστε το τηλεχειριστήριο υπερύθρων να επιτρέπει την κανονική λειτουργία του κλιματιστικού. Η θερμότητα από τις λάμπες μπορεί να προκαλέσει παραμόρφωση ή το υπεριώδες φως μπορεί να προκαλέσει αλλοίωση.
- Σε μέρος όπου διευκολύνεται η αφαίρεση και αντικατάσταση του φίλτρου αέρα.
- Σε μέρος μακριά από άλλες πηγές θερμότητας ή ατμού.
- Μην εγκαθιστάτε τη μονάδα σε περιβάλλον όπου χρησιμοποιούνται εξοπλισμός αερίου για προπάνιο, βουτάνιο ή μεθάνιο, σπρέι όπως εντομοκτόνα, εξοπλισμός που δημιουργεί καπνό, υλικά επικάλυψης και φαρμακευτικές ουσίες ή σε μέρη όπου δημιουργείται αέριο με βάση το θείο.
- Ο αισθητήρας ψυκτικού που είναι προσαρτημένος στην εσωτερική μονάδα ενδέχεται να αντιδράσει με αυτά και να εμφανιστεί σφάλμα διαρροής ψυκτικού. Σε αυτήν την περίπτωση, η μονάδα ενδέχεται να μη λειτουργεί.

Σε περίπτωση σύνδεσης με εξωτερική μονάδα που χρησιμοποιεί ψυκτικό R32, εγκαταστήστε την εσωτερική μονάδα σε δωμάτιο με εμβαδόν δαπέδου Amin ή μεγαλύτερο, το οποίο αντιστοιχεί σε ψυκτικό M (ψυκτικό που έχει πληρωθεί από το εργοστάσιο + ψυκτικό που προστίθεται τοπικά). Για την ποσότητα του ψυκτικού και την πρόσθετη πλήρωση με ψυκτικό, ανατρέξτε στην εξωτερική μονάδα.

M [kg]	Amin [m ²]
1,00	Καμία απαίτηση
1,10	
1,20	
1,30	
1,40	
1,50	
1,60	
1,70	
1,80	
1,84	
1,90	3,75
2,00	3,95
2,10	4,15
2,20	4,34
2,30	4,54
2,40	4,74

Για την αναπλήρωση με ψυκτικό, ανατρέξτε στο εγχειρίδιο εγκατάστασης της εξωτερικής μονάδας.

ΤΗΛΕΧΕΙΡΙΣΤΗΡΙΟ

Ακολουθούν οι προτιμώμενες συνθήκες αποθήκευσης ενός τηλεχειριστηρίου:

- Σε μέρος όπου διευκολύνει τη λειτουργία του και όπου είναι εύκολα ορατό.
- Σε μέρος όπου δεν μπορούν να έχουν πρόσβαση παιδιά.
- Επιλέξτε μια θέση περίπου 1,2 m πάνω από το έδαφος και ελέγξτε ότι η εσωτερική μονάδα λαμβάνει τα σήματα του τηλεχειριστηρίου από τη θέση αυτή (ακούγεται ο ήχος λήψης 'μπιπ' ή 'μπιπ μπιπ').

Σημείωση:

Σε χώρους όπου χρησιμοποιούνται λάμπες φθορίου με μετασχηματιστή, είναι πιθανό να μην γίνεται λήψη του σήματος του ασύρματου τηλεχειριστηρίου.

Σημείωση:

Αποφύγετε την τοποθέτηση στα παρακάτω μέρη όπου είναι πιθανό να προκύψει βλάβη στο κλιματιστικό.

- Σε μέρος όπου μπορεί να υπάρξει διαρροή εύφλεκτων αερίων.
- Σε μέρος όπου υπάρχουν πολλά λιπαντικά μηχανικά έλαια.
- Όπου έχει πέσει λάδι ή όπου υπάρχουν αναθυμιάσεις από λάδι (όπως κουζίνες και εργοστάσια, στα οποία ενδέχεται να προκληθούν αλλοιώσεις και ζημιά στα πλαστικά μέρη).
- Σε μέρος όπου υπάρχει πολύ αλάτι, για παράδειγμα σε ακτές.
- Όπου παράγονται θειούχα αέρια, για παράδειγμα σε θερμές πηγές, λύματα και απόνερα.
- Σε μέρος όπου υπάρχει εξοπλισμός υψηλής συχνότητας ή ασύρματος.
- Όπου υπάρχουν έντονες αναθυμιάσεις πτητικών οργανικών ενώσεων, όπως φθαλικές ενώσεις, φορμαλδεΰδη κ.α., που μπορούν να προκαλέσουν χημική πυρόλυση.
- Η συσκευή πρέπει να αποθηκεύεται για την αποφυγή πρόκλησης μηχανικής ζημιάς.

1-3. ΠΡΟΔΙΑΓΡΑΦΕΣ

Μοντέλο	Παροχή ρεύματος *1		Προδιαγραφές καλωδίων *2	Μέγεθος σωλήνων (πάχος *3, *4, *5, *6)		Πάχος μόνωσης *7, *8
	Ονομαστική τάση	Συχνότητα		Αέριο	Υγρό	
MFZ-KT25VG	230 V	50 Hz	4-κλων 2,0 mm ²	ø9,52 mm (0,8 mm)	ø6,35 mm (0,8 mm)	14 mm
MFZ-KT35VG						
MFZ-KT50VG				ø12,7 mm (0,8 mm)		
MFZ-KT60VG				ø15,88 mm (0,8 mm)		

*1 Συνδέστε στο διακόπτη παροχής ρεύματος ο οποίος, όταν ανοίγει για να διακόψει τη φάση της πηγής τροφοδοσίας, έχει διάκενο 3 mm ή περισσότερο. (Όταν ο διακόπτης παροχής ρεύματος είναι κλειστός πρέπει να διακόπτονται όλες οι φάσεις.)
 *2 Χρησιμοποιείτε καλώδια που συμμορφώνονται προς το σχεδιασμό 60245 IEC 57.
 *3 Μην χρησιμοποιείτε ποτέ σωλήνες με πάχος μικρότερο από αυτό που καθορίζεται. Η αντοχή στην πίεση δεν θα είναι αρκετή.

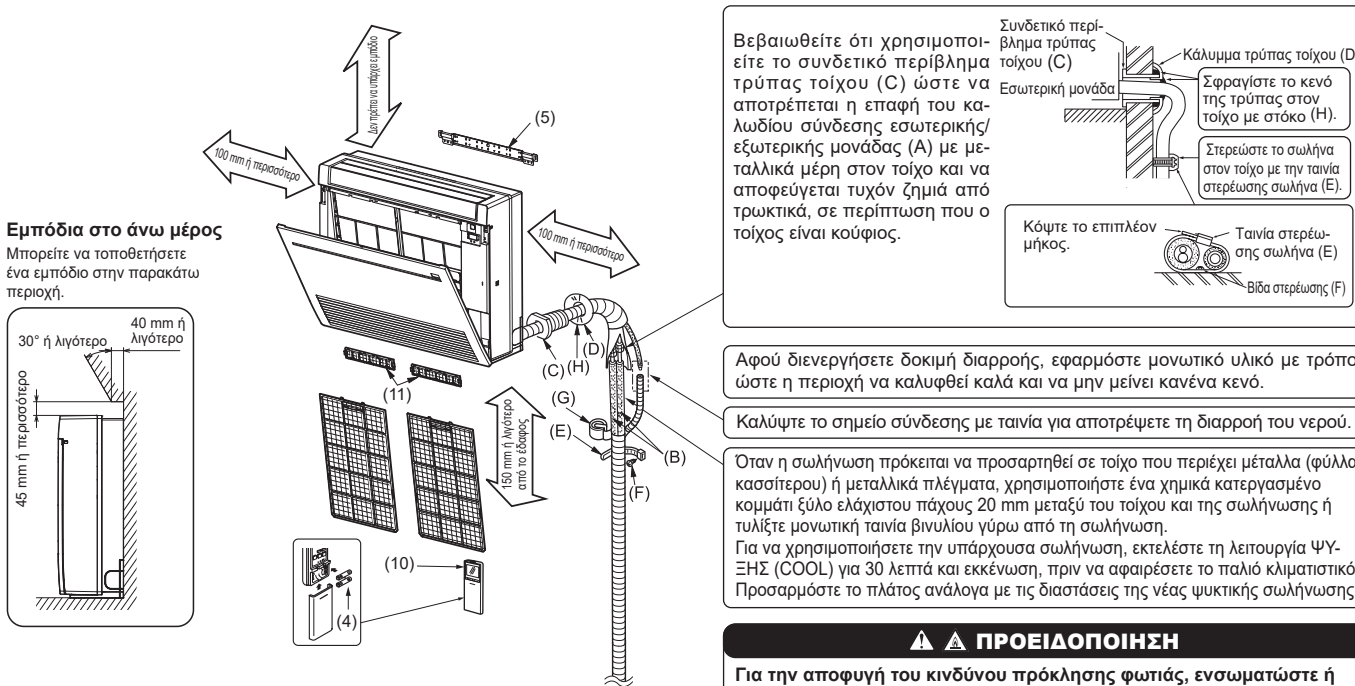
*4 Χρησιμοποιήστε έναν χαλκοσωλήνα ή έναν σωλήνα από κράμα χαλκού χωρίς ραφές.
 *5 Προσέξτε να μην σπάσετε ή λυγίσετε το σωλήνα κατά την καμπύλωση των σωλήνων.
 *6 Η ακτίνα καμπύλωσης των σωλήνων ψυκτικού πρέπει να είναι 100 mm ή περισσότερο.
 *7 Μονωτικό υλικό : Θερμοανθεκτικός πλαστικός αφρός με ειδική βαρύτητα 0,045

*8 Βεβαιωθείτε ότι χρησιμοποιείτε το κατάλληλο πάχος μόνωσης. Το υπερβολικό πάχος μπορεί να προκαλέσει εσφαλμένη εγκατάσταση της εσωτερικής μονάδας και η ανεπαρκής μόνωση μπορεί να προκαλέσει δημιουργία σταγονιδίων.

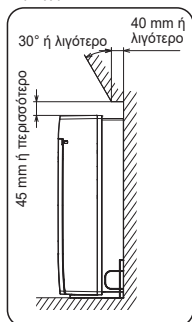
1-4. ΔΙΑΓΡΑΜΜΑ ΕΓΚΑΤΑΣΤΑΣΗΣ

Κατά την εγκατάσταση εξωτερικών μονάδων ανατρέξτε στο εγχειρίδιο εγκατάστασης εξωτερικής μονάδας.

Ο πίνακας προδιαγραφών για τις σωληνώσεις δεν παρέχει ελάχιστο μήκος για τις σωληνώσεις. Ωστόσο, οι εσωτερικές μονάδες που συνδέονται με σωληνώσεις μήκους μικρότερου των 3 m μπορεί να παράγουν θόρυβο κατά διαστάματα στα πλαίσια της κανονικής λειτουργίας του συστήματος σε χώρους που επικρατεί ησυχία. Έχετε υπόψη αυτές τις σημαντικές πληροφορίες κατά την εγκατάσταση και την τοποθέτηση της εσωτερικής μονάδας σε χώρους όπου ισχύουν συγκεκριμένες προϋποθέσεις.



Εμπόδια στο άνω μέρος
 Μπορείτε να τοποθετήσετε ένα εμπόδιο στην παρακάτω περιοχή.



Η εγκατάσταση των μονάδων πρέπει να γίνει από εξουσιοδοτημένο εγκαταστάτη και σύμφωνα με τους ισχύοντες τοπικούς κανονισμούς.

ΕΞΑΡΤΗΜΑΤΑ

Πριν αρχίσετε την εγκατάσταση ελέγξτε τα παρακάτω εξαρτήματα.

(1)	Σωλήνας αποστράγγισης*	1
(2)	Κάλυμμα σωλήνα	1
(3)	Ταινία στήριξης	2
(4)	Μπαταρία (AAA) για (10)	2
(5)	Βάση ανάρτησης εσωτερικής μονάδας	1
(6)	Ίδα στήριξης για το (5) 4 × 25 mm	5
(7)	Ξυλόβιδα για τη στερέωση της εσωτερικής μονάδας	4
(8)	Ροδέλα του (7)	4
(9)	Ταινία πλίσματος (Χρησιμοποιείται για αριστερή ή πίσω-αριστερή σωληνώση)	1
(10)	Ασύρματο τηλεχειριστήριο	1
(11)	Φίλτρο καθαρισμού αέρα	2
(12)	Συνδετικός σωλήνας (Μόνο για το KT60)	1
(13)	Κάλυμμα σωλήνα για συνδετικό σωλήνα (Μόνο για το KT60)	1
(14)	Ετικέτα ασφαλειοδιακόπτη	1
(15)	Σημείωση ασφαλειοδιακόπτη	1

* Σημείωση:

Ο ελαστικός σωλήνας αποστράγγισης είναι συνδεδεμένο με την μονάδα.

ΕΞΑΡΤΗΜΑΤΑ ΠΟΥ ΠΑΡΕΧΟΝΤΑΙ ΣΤΟ ΧΩΡΟ ΣΑΣ

(A)	Καλώδιο σύνδεσης εσωτερικής/εξωτερικής μονάδας*	1
(B)	Σωλήνας προέκτασης	1
(C)	Συνδετικό περίβλημα τρύπας τοίχου	1
(D)	Κάλυμμα τρύπας τοίχου	1
(E)	Ταινία στερέωσης σωλήνα	2-5
(F)	Βίδα στερέωσης για (E) 4 × 20 mm	2-5
(G)	Ταινία περίδεσης	1
(H)	Στόκος	1
(J)	Σωλήνας αποστράγγισης (ή σωλήνας από μαλακό PVC, εσωτ. διαμ. 15 mm ή σκληρό PVC, VP16)	1 ή 2
(K)	Καλώδιο τροφοδοσίας*	1
(L)	Ταινία (Μόνο σε σύνδεση διεπαφής Wi-Fi)	2

* Σημείωση:

Τοποθετήστε το καλώδιο σύνδεσης εσωτερικής/εξωτερικής μονάδας (A) και το Καλώδιο τροφοδοσίας (K) τουλάχιστον 1 m μακριά από το καλώδιο της κεραίας τηλεόρασης.

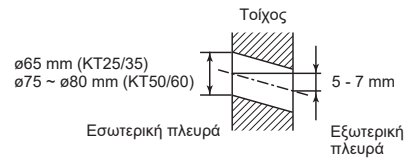
2. ΕΓΚΑΤΑΣΤΑΣΗ ΤΗΣ ΕΣΩΤΕΡΙΚΗΣ ΜΟΝΑΔΑΣ

2-1. ΣΤΕΡΕΩΣΗ ΑΓΚΙΣΤΡΟΥ ΣΤΗΡΙΞΗΣ ΕΣΩΤΕΡΙΚΗΣ ΜΟΝΑΔΑΣ

- Μην εγκαθιστάτε την εσωτερική μονάδα σε σημείο υψηλότερο από 150 mm.
- Βρείτε ένα δομικό υλικό στον τοίχο (π.χ. ένα καρφί) και στερεώστε το μεταλλικό φύλλο (5) σε οριζόντια θέση χρησιμοποιώντας βίδες στερέωσης (6).
- Για να αποτρέψετε δονήσεις του μεταλλικού φύλλου εγκατάστασης (5), βεβαιωθείτε ότι έχετε τοποθετήσει τις βίδες στερέωσης στις σπές που υποδεικνύονται στο σχήμα. Για επιπρόσθετη στήριξη, μπορείτε να τοποθετήσετε βίδες στερέωσης και σε άλλες σπές.

2-2. ΔΙΑΝΟΙΞΗ ΟΠΩΝ

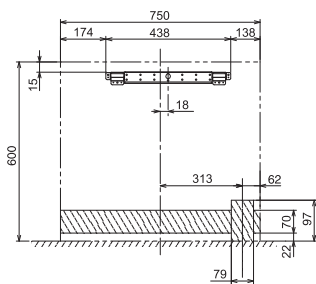
- 1) Καθορίστε τη θέση της τρύπας στον τοίχο.
- 2) Ανοίξτε μια οπή διαμέτρου 65 mm (διαμ.: 75 ~ 80 mm για KT50/60). Η εξωτερική πλευρά θα πρέπει να βρίσκεται κατά 5 έως 7 mm χαμηλότερα σε σχέση με την εσωτερική.
- 3) Εισαγάγετε το συνδετικό περίβλημα τρύπας τοίχου (C).



ΘΕΣΕΙΣ ΟΠΩΝ

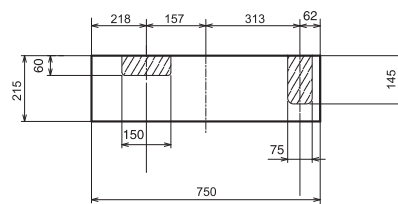
ΓΙΑ ΑΡΙΣΤΕΡΗ Ή ΠΙΣΩ-ΑΡΙΣΤΕΡΗ ΣΩΛΗΝΩΣΗ

(Η παρακάτω εικόνα εμφανίζει την μπροστινή όψη της θέσης εγκατάστασης της εσωτερικής μονάδας.)

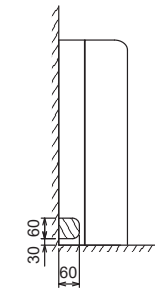


ΓΙΑ ΔΕΞΙΑ Ή ΑΡΙΣΤΕΡΗ ΣΩΛΗΝΩΣΗ ΜΕ ΚΑΤΕΥΘΥΝΣΗ ΠΡΟΣ ΤΑ ΚΑΤΩ

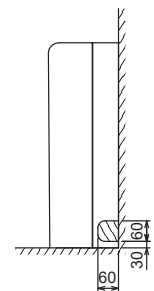
(Η παρακάτω εικόνα εμφανίζει την όψη της βάσης της εσωτερικής μονάδας όπως φαίνεται από πάνω.)



ΓΙΑ ΑΡΙΣΤΕΡΗ ΣΩΛΗΝΩΣΗ



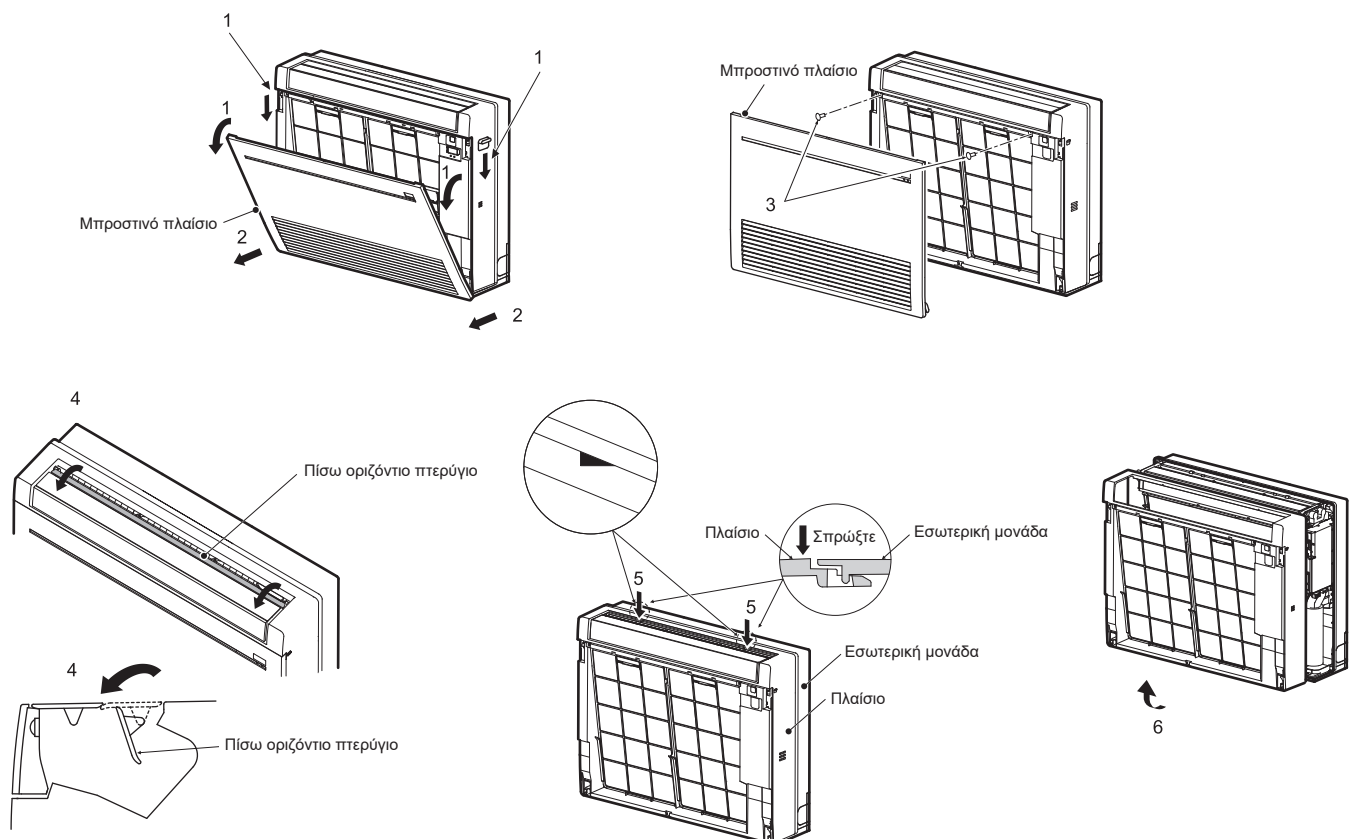
ΓΙΑ ΔΕΞΙΑ ΣΩΛΗΝΩΣΗ



2-3. ΠΡΟΕΤΟΙΜΑΣΙΑ ΕΣΩΤΕΡΙΚΗΣ ΜΟΝΑΔΑΣ

Αφαιρέστε το μπροστινό πλαίσιο της εσωτερικής μονάδας.

- 1) Πιέστε προς τα κάτω τη γλωττίδα στις δύο πλευρές της μονάδας, για να ανοίξετε το μπροστινό πλαίσιο.
- 2) Τραβήξτε το μπροστινό πλαίσιο προς το μέρος σας, για να το αφαιρέσετε.
- 3) Αφαιρέστε τις 2 βίδες.
- 4) Ανοίξτε την πίσω οριζόντια περσίδα.
- 5) Πιέστε τα 2 σημεία στο επάνω τμήμα του πλαισίου και μετά τραβήξτε το επάνω μέρος του πλαισίου προς το μέρος σας.
- 6) Αφαιρέστε το πλαίσιο ενώ το έχετε ανασηκώσει (ελαφρά).



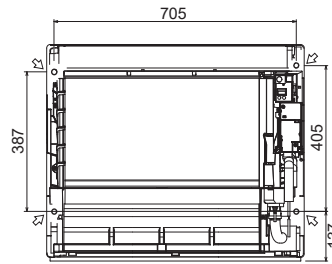
2-4. ΕΓΚΑΤΑΣΤΑΣΗ ΕΣΩΤΕΡΙΚΗΣ ΜΟΝΑΔΑΣ

2-4-1. ΕΓΚΑΤΑΣΤΑΣΗ ΤΗΣ ΕΣΩΤΕΡΙΚΗΣ ΜΟΝΑΔΑΣ ΣΤΟ ΔΑΠΕΔΟ

- 1) Τοποθετήστε την εσωτερική μονάδα στο επίπεδο δάπεδο.
- 2) Στερεώστε την εσωτερική μονάδα στα 4 σημεία με τις ξύλινες βίδες (7) και τις ροδέλες (8) που περιλαμβάνονται στη συσκευασία. Σφίξτε καλά τις βίδες για να ασφαλίσουν.

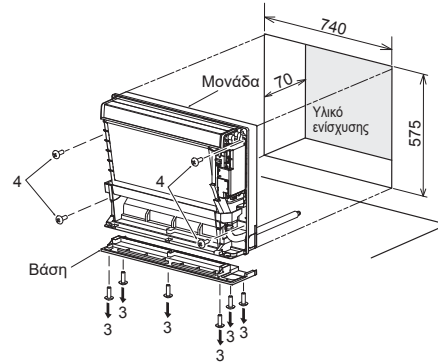
2-4-2. ΤΟΠΟΘΕΤΗΣΗ ΤΗΣ ΕΣΩΤΕΡΙΚΗΣ ΜΟΝΑΔΑΣ ΣΤΟΝ ΤΟΙΧΟ

- 1) Κρεμάστε την επάνω πλευρά της εσωτερικής μονάδας στη βάση ανάρτησης (5).
- 2) Στερεώστε την εσωτερική μονάδα στα 4 σημεία με τις ξύλινες βίδες (7) και τις ροδέλες (8) που περιλαμβάνονται στη συσκευασία. Σφίξτε καλά τις βίδες για να ασφαλίσουν.



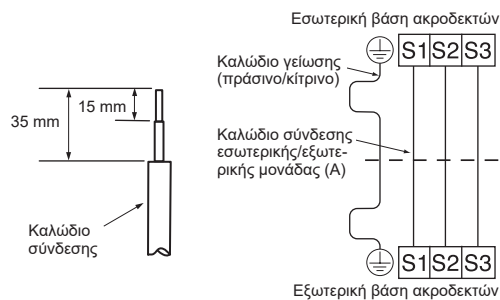
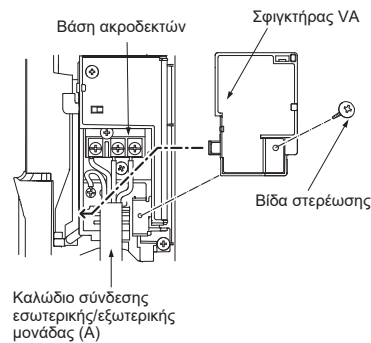
2-4-3. ΕΝΤΟΙΧΙΣΜΟΣ ΤΗΣ ΕΣΩΤΕΡΙΚΗΣ ΜΟΝΑΔΑΣ

- 1) Ανοίξτε μια οπή στον τοίχο.
- 2) Προσαρμόστε το βάθος, χρησιμοποιώντας υλικό ενίσχυσης.
- 3) Αφαιρέστε τις 6 βίδες που στερεώνουν τη βάση στη μονάδα. Αφαιρέστε τη βάση από τη μονάδα.
- 4) Στερεώστε την εσωτερική μονάδα στα 4 σημεία με τις ξύλινες βίδες (7) και τις ροδέλες (8) που περιλαμβάνονται στη συσκευασία. Σφίξτε καλά τις βίδες για να ασφαλίσουν.



2-5. ΣΥΝΔΕΣΗ ΚΑΛΩΔΙΩΝ ΓΙΑ ΤΗΝ ΕΣΩΤΕΡΙΚΗ ΜΟΝΑΔΑ

- 1) Αφαιρέστε το σφιγκτήρα VA.
- 2) Περάστε το καλώδιο σύνδεσης εσωτερικής/εξωτερικής μονάδας (A) από το πίσω μέρος της εσωτερικής μονάδας και επεξεργαστείτε το άκρο του καλωδίου.
- 3) Χαλαρώστε τη βίδα των ακροδεκτών και συνδέστε πρώτα το καλώδιο γείωσης και, στη συνέχεια, το καλώδιο σύνδεσης εσωτερικής/εξωτερικής μονάδας (A) στη βάση ακροδεκτών. Προσέξτε να μην κάνετε λάθος συνδέσεις. Στερεώστε καλά τη βάση ακροδεκτών έτσι ώστε να μην είναι εμφανές κανένα μέρος από το κυρίως τμήμα και να μην ασκείται εξωτερική πίεση στο σημείο σύνδεσης της βάσης ακροδεκτών.
- 4) Βιδώστε σφιχτά τις βίδες των ακροδεκτών για να αποφύγετε το ξεβιδωμά τους. Αφού βιδώσετε, τραβήξτε ελαφρά τα καλώδια για να βεβαιωθείτε ότι δεν κινούνται.
- 5) Στερεώστε το καλώδιο σύνδεσης εσωτερικής/εξωτερικής μονάδας (A) και το καλώδιο γείωσης με το σφιγκτήρα VA. Ποτέ μην παραλείπετε να αγκιστρώσετε το αριστερό νύχι του σφιγκτήρα VA. Στερεώστε καλά το σφιγκτήρα VA.



- Το καλώδιο γείωσης θα πρέπει να είναι λίγο μακρύτερο από τα υπόλοιπα. (Περισσότερο από 45 mm)
- Αφήστε μεγαλύτερο μήκος στα καλώδια σύνδεσης, για μελλοντική συντήρηση.
- Μην διπλώνετε το καλώδιο που περισσεύει και μην το στριμώχνετε σε μικρό χώρο. Προσέξτε να μην προκαλέσετε βλάβη στα καλώδια.
- Βεβαιωθείτε ότι έχετε προσαρτήσει κάθε βίδα στο αντίστοιχο τερματικό κατά την ασφάλιση του καλωδίου ή/και του καλωδίου του τερματικού συνόλου.

⚠ ΠΡΟΕΙΔΟΠΟΙΗΣΗ

Κατά την εγκατάσταση της μονάδας, συνδέστε με ασφάλεια τους ψυκτικούς σωλήνες πριν θέσετε σε λειτουργία το συμπιεστή.

2-6. ΔΙΑΜΟΡΦΩΣΗ ΣΩΛΗΝΩΣΕΩΝ ΚΑΙ ΕΓΚΑΤΑΣΤΑΣΗ

Σημείωση: Ανατρέξτε στο 3. ΕΚΧΕΙΛΩΜΕΝΗ ΣΥΝΔΕΣΗ, ΣΥΝΔΕΣΗ ΣΩΛΗΝΩΝ.

Διαμόρφωση σωληνώσεων

- Περάστε το σωλήνα αποστράγγισης διαγωνίως κάτω από τους σωλήνες σύνδεσης.
- Βεβαιωθείτε ότι ο σωλήνας αποστράγγισης δεν έχει κλίση προς τα πάνω ούτε ανεβοκατεβάσματα.
- Μην τραβάτε το σωλήνα αποστράγγισης για να τον τυλίξετε με ταινία.
- Περάστε τη σωλήνωση με τρόπο ώστε να μην προεξέχει στην πίσω πλευρά της εσωτερικής μονάδας. (Δείτε την εικόνα στα δεξιά.)

ΕΓΚΑΤΑΣΤΑΣΗ ΣΩΛΗΝΑ ΣΥΝΔΕΣΗΣ

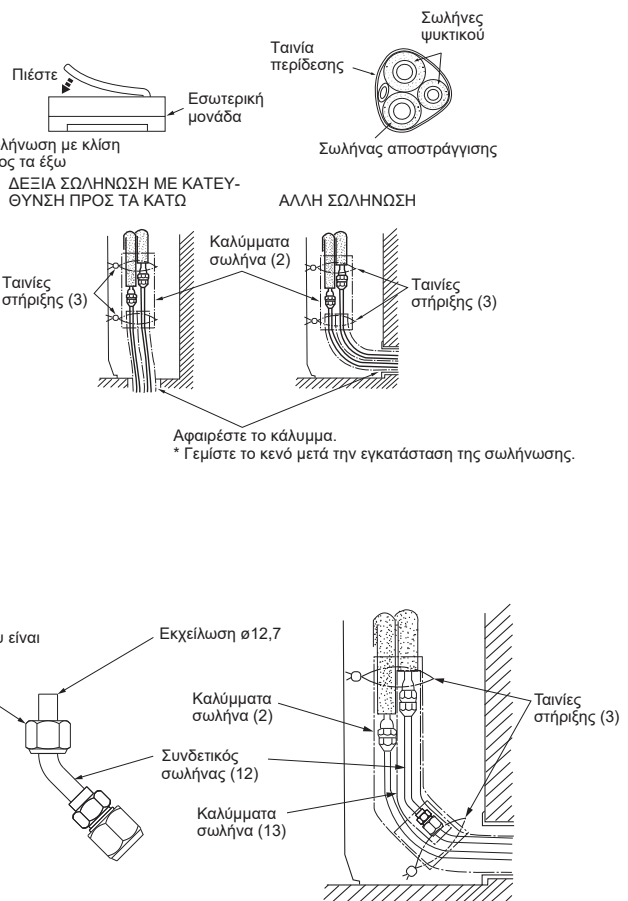
- Τοποθετήστε τους σωλήνες σύνδεσης ώστε να μπορούν να μετατοπιστούν ελαφρώς προς τα μπροστά, πίσω, αριστερά και δεξιά.
- Όταν το κάλυμμα αφαιρείται, φροντίστε να καλύπτετε τους σωλήνες ώστε καμία σωλήνωση να μην είναι εκτεθειμένη στο δωμάτιο μετά την εγκατάσταση της σωληνώσεως.
- Γεμίστε το κενό μετά την εγκατάσταση της σωληνώσεως.

- Βεβαιωθείτε ότι έχετε μονώσει τους σωλήνες σύνδεσης, έτσι ώστε να μην έρχονται σε επαφή με το πλαίσιο.
- Προσέξτε να μην σπάσετε τους σωλήνες σύνδεσης όταν τους λυγίζετε.

Για το MFZ-KT60

- Μην ξεχάσετε να χρησιμοποιήσετε τον συνδετικό σωλήνα (12), διαφορετικά δεν θα είναι δυνατή η στερέωση του σωλήνα προέκτασης $\phi 15,88$.
- Κάντε εκχείλωση του συνδετικού σωλήνα (12) με $\phi 12,7$ και τοποθετήστε το κάλυμμα σωλήνα (13).

Χρησιμοποιήστε το παξιμάδι εκχείλωσης που είναι τοποθετημένο στη μονάδα. Προσέξτε την κατεύθυνση των παξιμαδιών.



ΠΙΣΩΑΡΙΣΤΕΡΗ Ή ΑΡΙΣΤΕΡΗ-ΠΙΣΩ ΣΩΛΗΝΩΣΗ

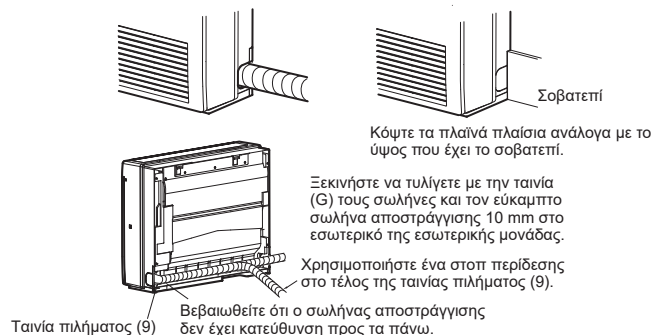
Τυλίξτε τους σωλήνες σύνδεσης και τον εύκαμπτο σωλήνα αποστράγγισης μαζί με ταινία πιλήματος (9).

Κόψτε τα πλαϊνά πλαίσια όσο χρειάζεται στην αριστερή και τη δεξιά πλευρά της εσωτερικής μονάδας όπως δείχνει η εικόνα.

Κόψτε τις επιφάνειες που κόψατε ώστε να μην υπάρχει κίνδυνος να καταστρέψουν τη μόνωση των σωληνών.

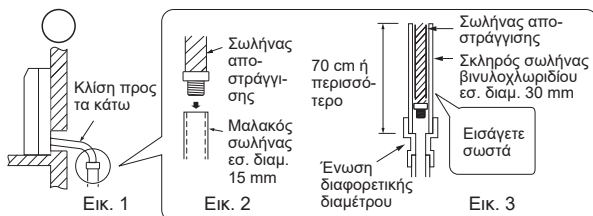
- Για αριστερή ή δεξιά σωληνώση
- Τοποθέτηση σε τοίχο με σοβατεπί

- Τυλίξτε με την ταινία πιλήματος (9) σφικτά τους σωλήνες και τον εύκαμπτο σωλήνα αποστράγγισης ξεκινώντας από το σημείο σύνδεσης των σωληνών στην εσωτερική μονάδα. (Το πλάτος επικάλυψης της ταινίας πιλήματος (9) δεν πρέπει να υπερβαίνει το 1/2 του πλάτους της.)

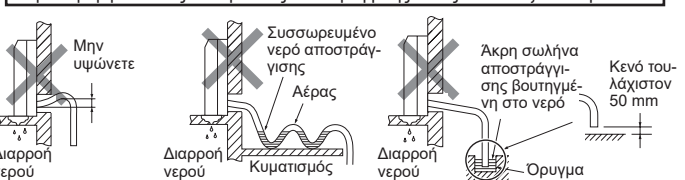


2-7. ΣΩΛΗΝΩΣΗ ΑΠΟΣΤΡΑΓΓΙΣΗΣ

- Εάν ο σωλήνας αποστράγγισης που χρησιμοποιήσατε ως επέκταση χρειάζεται να περάσει μέσα από ένα δωμάτιο, βεβαιωθείτε ότι τον έχετε καλύψει με μονωτικό υλικό του εμπορίου.
- Ο σωλήνας αποστράγγισης πρέπει να έχει κλίση προς τα κάτω για να διευκολύνεται η ροή αποστράγγισης. (Εικ. 1)
- Εάν ο σωλήνας αποστράγγισης που περιέχεται στην εσωτερική μονάδα είναι πολύ κοντός, συνδέστε τον με το σωλήνα αποστράγγισης (J) που έχετε στο χώρο σας. (Εικ. 2)
- Χρησιμοποιήστε ταινία ή κάποιο άλλο υλικό για να σφραγίσετε τη σύνδεση μεταξύ του σωλήνα αποστράγγισης του προϊόντος και του σωλήνα αποστράγγισης που χρησιμοποιείται ως επέκταση (εσωτερική διάμετρος 16 mm) (J).
- Όταν συνδέετε το σωλήνα αποστράγγισης με το σκληρό σωλήνα βινυλοχλωριδίου, βεβαιωθείτε ότι τον έχετε συνδέσει στέρεα στο σωλήνα. (Εικ. 3)

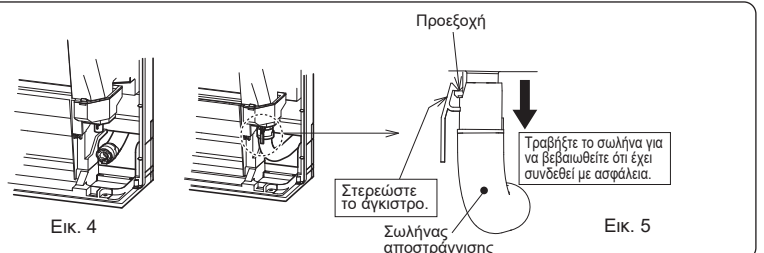


Μην διαμορφώνετε τις σωληνώσεις αποστράγγισης όπως απεικονίζεται παρακάτω.



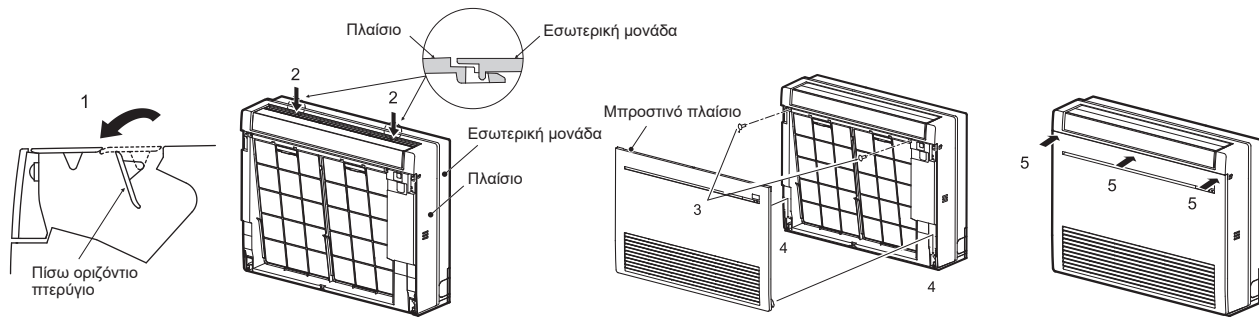
Ο ελαστικός σωλήνας αποστράγγισης αφαιρείται κατά την εγκατάσταση.

- Για την όδευση της σωληνώσεως αποστράγγισης, βεβαιωθείτε ότι ο σωλήνας αποστράγγισης (1) είναι τοποθετημένος όπως δείχνει η εικόνα. (Εικ. 4)
- Τοποθετήστε το σωλήνα αποστράγγισης στη βάση της υποδοχής αποστράγγισης (άκρο σύνδεσης). (Εικ. 5)
- Βεβαιωθείτε ότι το άγκιστρο του σωλήνα αποστράγγισης έχει γαντζωθεί καλά στην προεξοχή του τμήματος σύνδεσης σωλήνα της υποδοχής αποστράγγισης.
- Αφού συνδέσετε το σωλήνα αποστράγγισης, τραβήξτε το σωλήνα για να βεβαιωθείτε ότι έχει συνδεθεί με ασφάλεια.



2-8. ΤΟΠΟΘΕΤΗΣΗ ΠΛΑΙΣΙΟΥ ΠΡΟΣΟΨΗΣ

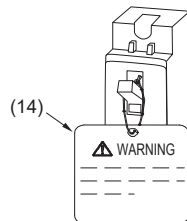
- 1) Ανοίξτε την πίσω οριζόντια περσίδα.
- 2) Στερεώστε το πλαίσιο. Βεβαιωθείτε ότι τα άγκιστρα έχουν ασφαλίσει.
- 3) Στερεώστε το πλαίσιο με βίδες.
- 4) Τοποθετήστε το κάτω μέρος του μπροστινού πλαισίου.
- 5) Πίεστε 3 σημεία στο επάνω μέρος του μπροστινού πλαισίου, για να το κλείσετε.



2-9. ΕΠΙΣΥΝΑΨΗ ΤΗΣ ΕΤΙΚΕΤΑΣ ΚΑΙ ΕΠΕΞΗΓΗΣΗ

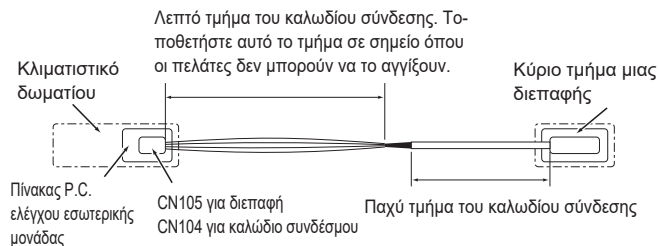
Ο ασφαλειοδιακόπτης πρέπει να είναι πάντα ενεργοποιημένος, εκτός από τις περιπτώσεις εκτέλεσης συντήρησης ή επιθεώρησης. Αναρτάτε τη συνοδευτική ετικέτα (14) ή (15) στον ασφαλειοδιακόπτη και επεξηγήστε την στους πελάτες. Όταν απενεργοποιείται ο ασφαλειοδιακόπτης, δεν παρέχεται ισχύς στον αισθητήρα ψυκτικού που είναι προσαρτημένος στην εσωτερική μονάδα και δεν είναι δυνατή η ανίχνευση διαρροής ψυκτικού.

Σημείωση: Όταν η καλωδίωση αφορά ξεχωριστές παροχές για την εσωτερική/εξωτερική μονάδα, αναρτάτε τη συνοδευτική ετικέτα (14) ή (15) στον ασφαλειοδιακόπτη της πλευράς της εσωτερικής μονάδας και επεξηγήστε την στους πελάτες.

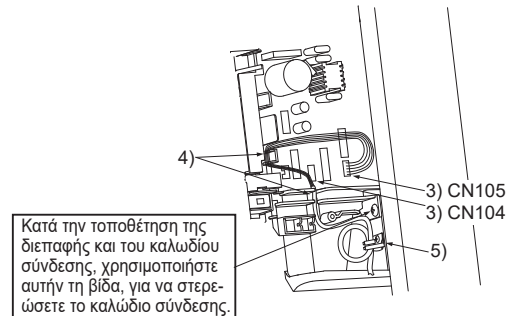


2-10. ΣΥΝΔΕΣΗ ΔΙΕΠΑΦΗΣ (επιλογή)/ΚΑΛΩΔΙΟΥ ΣΥΝΔΕΣΜΟΥ (επιλογή) ΣΤΟ ΚΛΙΜΑΤΙΣΤΙΚΟ

- Συνδέστε μια διεπαφή/καλώδιο σύνδεσμου στον πίνακα P.C. ελέγχου της εσωτερικής μονάδας ενός κλιματιστικού με ένα καλώδιο σύνδεσης.
- Το κόψιμο ή η επέκταση του καλωδίου σύνδεσης της διεπαφής/καλωδίου σύνδεσμου θα έχει ως αποτέλεσμα σφάλματα στη σύνδεση. Μην δένετε το καλώδιο σύνδεσης μαζί με το καλώδιο τροφοδοσίας, το καλώδιο σύνδεσης εσωτερικής/εξωτερικής μονάδας και/ή το καλώδιο γείωσης. Διατηρήστε όσο το δυνατόν μεγαλύτερη απόσταση ανάμεσα στο καλώδιο σύνδεσης και σε αυτά τα καλώδια.
- Το λεπτό τμήμα του καλωδίου σύνδεσης θα πρέπει να είναι αποθηκευμένο και τοποθετημένο σε σημείο όπου οι πελάτες δεν μπορούν να το αγγίξουν.



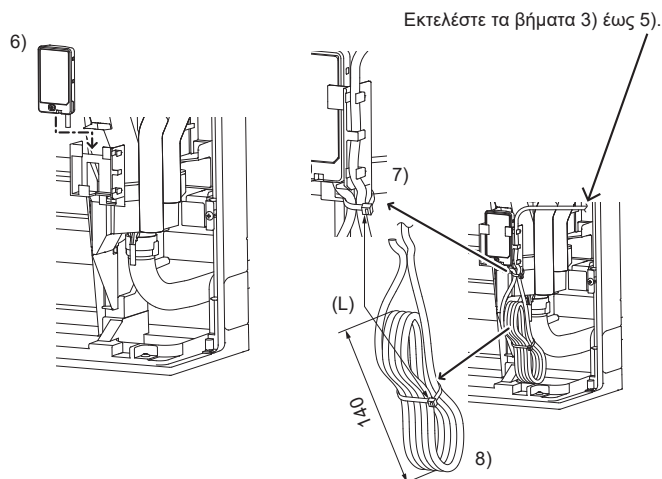
- 1) Αφαιρέστε το πλαίσιο.
- 2) Ανοίξτε το κάλυμμα του πίνακα P.C. ελέγχου της εσωτερικής μονάδας.
- 3) Συνδέστε το καλώδιο σύνδεσης με την υποδοχή CN105 ή/και την υποδοχή CN104 στον πίνακα P.C. της εσωτερικής μονάδας.
- 4) Περάστε το καλώδιο σύνδεσης από αυτό το σημείο που φαίνεται στην εικόνα.
- 5) Συνδέστε το σφιγκτήρα καλωδίου που παρέχεται με τη διεπαφή/καλώδιο σύνδεσμου με το παχύ τμήμα του καλωδίου σύνδεσης με μια βίδα 4 × 16, όπως φαίνεται στην εικόνα.
- 6) Κλείστε το κάλυμμα του πίνακα P.C. ελέγχου της εσωτερικής μονάδας. Προσέξτε να μην πιαστεί το λεπτό τμήμα του καλωδίου σύνδεσης στο κάλυμμα. Τοποθετήστε ξανά το πλαίσιο.



Σημείωση:

Όταν συνδέετε τη διεπαφή Wi-Fi (προαιρετικά), εγκαταστήστε τη διεπαφή στη βάση όπως φαίνεται στην εικόνα. Προσαρμόστε το μήκος του καλωδίου και τυλίξτε το όπως φαίνεται στην εικόνα.

- 1) Αφαιρέστε το πλαίσιο.
- 2) Ανοίξτε το κάλυμμα της πλακέτας τυπωμένου κυκλώματος ελέγχου της εσωτερικής μονάδας.
- 3) Συνδέστε το καλώδιο σύνδεσης στο CN105 της πλακέτας τυπωμένου κυκλώματος ελέγχου της εσωτερικής μονάδας.
- 4) Περάστε το καλώδιο σύνδεσης από αυτό το σημείο που φαίνεται στην εικόνα.
- 5) Συνδέστε το σφιγκτήρα καλωδίου που παρέχεται με τη διεπαφή/καλώδιο σύνδεσμου με το παχύ τμήμα του καλωδίου σύνδεσης με μια βίδα 4 × 16, όπως φαίνεται στην εικόνα.
- 6) Τοποθετήστε τη διεπαφή Wi-Fi στη βάση.
- 7) Τοποθετήστε το καλώδιο σύνδεσης στη βάση και στερεώστε το με την ταινία (L).
- 8) Τυλίξτε το καλώδιο που περισσεύει με την ταινία (L). Το τυλιγμένο τμήμα πρέπει να είναι περίπου 140 mm.
- 9) Κλείστε το κάλυμμα της πλακέτας τυπωμένου κυκλώματος ελέγχου της εσωτερικής μονάδας. Προσέξτε να μην πιαστεί το λεπτό τμήμα του καλωδίου σύνδεσης στο κάλυμμα. Τοποθετήστε ξανά το πλαίσιο.



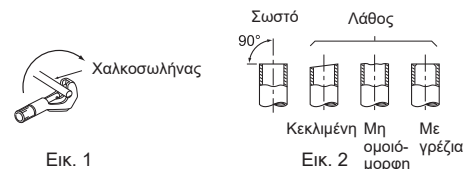
⚠️ ΠΡΟΕΙΔΟΠΟΙΗΣΗ

Στερεώστε σταθερά το καλώδιο σύνδεσης στην προδιαγεγραμμένη θέση. Λανθασμένη εγκατάσταση ενδέχεται να προκαλέσει ηλεκτροσόκ, φωτιά και/ή δυσλειτουργία.

3. ΕΚΧΕΙΛΩΜΕΝΗ ΣΥΝΔΕΣΗ, ΣΥΝΔΕΣΗ ΣΩΛΗΝΩΝ

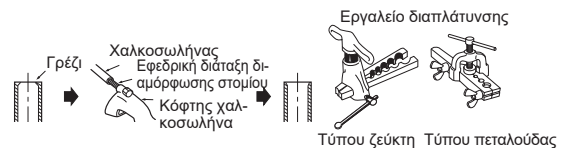
3-1. ΕΚΧΕΙΛΩΣΗ

- Κόψτε σωστά το σωλήνα με ένα κόφτη σωλήνα. (Εικ. 1, 2)
- Καθαρίστε εντελώς όλα τα γρέζια από την κομμένη διατομή του σωλήνα. (Εικ. 3)
 - Γυρίστε την κομμένη διατομή του σωλήνα προς τα κάτω ενώ καθαρίζετε τα γρέζια, ώστε να αποφύγετε να πέσουν γρέζια μέσα στο σωλήνα.
- Αφαιρέστε τα περικόχλια εκχειλίωσης που υπάρχουν στην εσωτερική και την εξωτερική μονάδα και κατόπιν τοποθετήστε τα στους σωλήνες που έχετε ήδη καθαρίσει καλά από τα γρέζια. (Είναι αδύνατο να τα τοποθετήσετε μετά τη διαπλάτυνση).
- Εκχειλίωση (Εικ. 4, 5). Κρατήστε σταθερά το χαλκοσωλήνα στις διαστάσεις που υποδεικνύονται στον πίνακα. Επιλέξτε A mm από τον πίνακα, ανάλογα με το εργαλείο που χρησιμοποιείτε.
- Έλεγχος
 - Συγκρίνετε την εκχειλίωση με την Εικ. 6.
 - Εάν η εκχειλίωση βρεθεί ελαττωματική, αποκόψτε αυτό το κομμάτι και επαναλάβετε τη διαδικασία.



Εικ. 1

Εικ. 2



Εικ. 3

Εικ. 4

Διάμετρος σωλήνα (mm)	Παξιμάδι (mm)	Α (mm)		Κλειδί ροπής στρέψης		
		Εργαλείο τύπου συμπλέκτη για R32, R410A	Εργαλείο τύπου συμπλέκτη για R22	N·m	kgf·cm	
ø6,35 (1/4")	17	0 - 0,5	1,0 - 1,5	1,5 - 2,0	14 - 18	140 - 180
ø9,52 (3/8")	22			2,0 - 2,5	34 - 42	340 - 420
ø12,7 (1/2")	26			-	49 - 61	490 - 610
ø15,88 (5/8")	29			-	68 - 82	680 - 820

3-2. ΣΥΝΔΕΣΗ ΣΩΛΗΝΑ

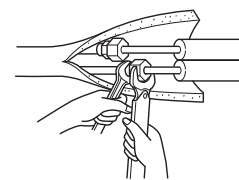
- Σφίξτε το παξιμάδι εκχειλίωσης με κλειδί ροπής στρέψης όπως καθορίζεται στον παρακάτω πίνακα.
- Εάν σφίξετε πολύ, το παξιμάδι εκχειλίωσης μπορεί να σπάσει μετά από μεγάλο χρονικό διάστημα και να προκαλέσει διαρροή ψυκτικού μέσου.
- Βεβαιωθείτε ότι τυλίξατε με μονωτικό υλικό τη σωλήνωση. Η απευθείας επαφή με τη γυμνή σωλήνωση ενδέχεται να προκαλέσει εγκαύματα ή κρουπαγήματα.

Σύνδεση εσωτερικής μονάδας

- Συνδέστε τις σωληνώσεις υγρού και αερίου στην εσωτερική μονάδα.
- Μην χρησιμοποιείτε ψυκτικό λάδι στα σπειρώματα. Το υπερβολικό σφίξιμο θα προκαλέσει βλάβες στη βίδα.
 - Για τη σύνδεση, ευθυγραμμίστε πρώτα το κέντρο και κατόπιν σφίξτε τις 3-4 πρώτες στροφές του παξιμαδιού διαπλάτυνσης με το χέρι.
 - Χρησιμοποιήστε τον παρακάτω πίνακα ροπής στρέψης σαν οδηγό για την ένωση τμημάτων της εσωτερικής μονάδας και σφίξτε χρησιμοποιώντας δύο κλειδιά. Η υπερβολική σύσφιξη καταστρέφει την εκχειλωμένη διατομή.

⚠ ΠΡΟΕΙΔΟΠΟΙΗΣΗ

Οι επαναχρησιμοποιήσιμες μηχανικές ενώσεις και οι συνδέσεις εκχειλίωσης δεν επιτρέπονται σε εσωτερικούς χώρους. Όταν συνδέετε τη σωλήνωση του ψυκτικού υγρού με συγκόλληση εν θερμώ, αντί για συνδέσους εκχειλίωσης, ολοκληρώστε όλες της εργασίες της συγκόλλησης εν θερμώ προτού συνδέσετε την εσωτερική μονάδα στην εξωτερική.



Εικ. 5

Εικ. 6

⚠ ΠΡΟΕΙΔΟΠΟΙΗΣΗ
Κατά την εγκατάσταση της μονάδας, συνδέστε με ασφάλεια τους ψυκτικούς σωλήνες πριν θέσετε σε λειτουργία το συμπιεστή.

EL

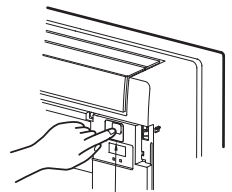
4. ΕΛΕΓΧΟΣ ΛΕΙΤΟΥΡΓΙΑΣ

4-1. ΕΛΕΓΧΟΣ ΛΕΙΤΟΥΡΓΙΑΣ

Βεβαιωθείτε ότι έχουν γίνει τα εξής.

- Το φάνωμα έχει τοποθετηθεί σωστά.
- Η εσωτερική και η εξωτερική μονάδα έχουν τοποθετηθεί σωστά και τροφοδοτείται ρεύμα.

- Πατήστε το διακόπτη έκτακτης λειτουργίας (E.O. SW) για λειτουργία ΨΥΞΗΣ (COOL) και δύο φορές για λειτουργία ΘΕΡΜΑΝΣΗΣ (HEAT). Διενεργείται έλεγχος λειτουργίας διάρκειας 30 λεπτών. Εάν η λυχνία ένδειξης λειτουργίας στην αριστερή πλευρά αναβοσβήνει κάθε 0,5 δευτερόλεπτα, ελέγξτε την εσωτερική/εξωτερική σύνδεση καλωδίων (A) για τυχόν λανθασμένη σύνδεση. Μετά τον έλεγχο λειτουργίας ξεκινάει η λειτουργία έκτακτης ανάγκης (emergency mode) (θερμοκρασία ρύθμισης 24°C).
- Για να διακόψετε τη συγκεκριμένη λειτουργία, πατήστε το διακόπτη λειτουργίας έκτακτης ανάγκης (E.O. SW) αρκετές φορές έως ότου σβήσουν όλες οι λυχνίες LED. Για λεπτομέρειες ανατρέξτε στις οδηγίες λειτουργίας.



Εικ. 5: Διακόπτης λειτουργίας έκτακτης ανάγκης (E.O. SW)

Έλεγχος της λήψης απομακρυσμένου (υπερύθρου) σήματος

- Πατήστε το κουμπί ON/OFF στο τηλεχειριστήριο (10) και ελέγξτε αν ακούγεται ένας ηλεκτρονικός ήχος από την εσωτερική μονάδα. Πατήστε ξανά το κουμπί ON/OFF για να απενεργοποιήσετε το κλιματιστικό.
- Από τη στιγμή που θα σταματήσει ο συμπιεστής, ο μηχανισμός προστασίας επανεκκίνησης λειτουργεί έτσι ώστε ο συμπιεστής να μην λειτουργεί για 3 λεπτά και να προστατεύεται το κλιματιστικό.

4-2. ΛΕΙΤΟΥΡΓΙΑ ΑΥΤΟΜΑΤΗΣ ΕΠΑΝΕΚΚΙΝΗΣΗΣ (AUTO RESTART FUNCTION)

Το προϊόν αυτό διαθέτει λειτουργία αυτόματης επανεκκίνησης. Εάν κατά τη διάρκεια της λειτουργίας διακοπεί η τροφοδοσία, λ.χ. σε περίπτωση μπλόκαου, τότε η λειτουργία αρχίζει αυτόματα στην τελευταία ρύθμιση μόλις αποκατασταθεί η τροφοδοσία. (Ανατρέξτε στις οδηγίες λειτουργίας για λεπτομέρειες).

Προσοχή:

- Μετά την ολοκλήρωση του ελέγχου λειτουργίας ή του ελέγχου λήψης απομακρυσμένου σήματος, απενεργοποιήστε τη μονάδα από το διακόπτη E.O. SW ή από το τηλεχειριστήριο προτού διακόψετε την τροφοδοσία. Διαφορετικά, η μονάδα θα τεθεί αυτόματα σε λειτουργία με την αποκατάσταση της τροφοδοσίας.

Για το χρήστη

- Αφού εγκαταστήσετε τη μονάδα, βεβαιωθείτε ότι έχετε εξηγήσει στο χρήστη τη λειτουργία αυτόματης επανεκκίνησης.
- Εάν η λειτουργία αυτόματης επανεκκίνησης δεν σας χρειάζεται, μπορείτε να την απενεργοποιήσετε. Συμβουλευτείτε τον αντιπρόσωπο σέρβις σχετικά με την απενεργοποίηση της λειτουργίας. Για λεπτομέρειες ανατρέξτε στο εγχειρίδιο συντήρησης.

4-3. ΔΙΕΥΚΡΙΝΙΣΕΙΣ ΓΙΑ ΤΟ ΧΡΗΣΤΗ

- Στις ΟΔΗΓΙΕΣ ΛΕΙΤΟΥΡΓΙΑΣ διευκρινίζεται ο τρόπος χρήσης του κλιματιστικού (χρήση του τηλεχειριστηρίου, αφαίρεση των φίλτρων αέρα, αφαίρεση ή τοποθέτηση του τηλεχειριστηρίου στη βάση στήριξης, καθαρισμός, προφυλάξεις κατά τη λειτουργία, κλπ.)
- Υποδείξτε στο χρήστη να διαβάσει προσεκτικά τις ΟΔΗΓΙΕΣ ΛΕΙΤΟΥΡΓΙΑΣ.

5. ΣΥΜΠΙΕΣΗ

Ανατρέξτε στις διαδικασίες που ενδείκνυνται στο εγχειρίδιο εγκατάστασης της εξωτερικής μονάδας.

ΠΡΟΕΙΔΟΠΟΙΗΣΗ

Όταν το κύκλωμα ψύξης έχει διαρροή, μην εκτελείτε εκκένωση με τον συμπιεστή. Κατά την εκκένωση του ψυκτικού, σταματήστε το συμπιεστή πριν αποσυνδέσετε τις ψυκτικές σωληνώσεις. Ο συμπιεστής ενδέχεται να εκραγεί εάν μέσα του εισέλθει αέρας κτλ.

ÍNDICE

1. ANTES DA INSTALAÇÃO.....	1
2. INSTALAÇÃO DA UNIDADE INTERIOR	4
3. LIGAÇÕES ABOCARDADAS, LIGAÇÃO DOS TUBOS	8
4. TESTE DE FUNCIONAMENTO.....	8
5. BOMBAGEM.....	9

Os nomes dos modelos são indicados em 1-3.





Este manual de instalação é indicado apenas para a unidade interior. Para saber como instalar unidades exteriores, consulte o respetivo manual de instalação.

Ferramentas Necessárias para a Instalação

Chave de parafusos Phillips	Abocardador para tubos R32, R410A
Nível	Tubo de manómetro para R32, R410A
Escala	Bomba de vácuo para R32, R410A
Faca ou tesoura	Mangureira de abastecimento para R32, R410A
Serra de trépano de 75 mm	Cortador de tubos com alargador
Chave dinamométrica	Garrafa de água
Chave (por exemplo, chave inglesa)	0,9 a 1,0 L de água

1. ANTES DA INSTALAÇÃO

SIGNIFICADO DOS SÍMBOLOS APRESENTADOS NA UNIDADE INTERIOR E/OU UNIDADE EXTERIOR

	AVISO (Risco de incêndio)	Esta unidade utiliza um refrigerante inflamável. Se ocorrer uma fuga de refrigerante e este entrar em contacto com fogo ou uma peça de aquecimento, irá criar um gás nocivo e existe o risco de incêndio.
		Leia atentamente as INSTRUÇÕES DE OPERAÇÃO antes da utilização.
		É necessário que o pessoal de assistência técnica leia atentamente as INSTRUÇÕES DE OPERAÇÃO e o MANUAL DE INSTALAÇÃO antes da utilização.
		Está disponível informação mais pormenorizada nas INSTRUÇÕES DE OPERAÇÃO, no MANUAL DE INSTALAÇÃO e em documentação semelhante.

1-1. POR QUESTÕES DE SEGURANÇA, CUMPRA SEMPRE AS SEGUINTE INDICAÇÕES

- Leia a secção "POR QUESTÕES DE SEGURANÇA, CUMPRA SEMPRE AS SEGUINTE INDICAÇÕES" antes de instalar o aparelho de ar condicionado.
- Cumpra as indicações de aviso e cuidado apresentadas nesta secção, pois incluem informações de segurança importantes.
- Depois de ler este manual, guarde-o juntamente com as INSTRUÇÕES DE OPERAÇÃO para referência futura.

AVISO (Pode causar a morte, ferimentos graves, etc.)

- **Não faça você mesmo a instalação (utilizador).** Uma instalação incompleta pode causar incêndios, choques eléctricos, ferimentos devidos à queda da unidade ou fuga de água. Consulte o seu revendedor ou um instalador autorizado.
- **A instalação deve ser efectuada de forma segura, consultando o manual de instalação.** Uma instalação incompleta pode causar incêndios, choques eléctricos, ferimentos devidos à queda da unidade ou fuga de água.
- **Quando instalar a unidade, garanta a segurança usando equipamento de protecção e ferramentas adequados.** Se não o fizer, poderá provocar ferimentos.
- **Instale correctamente a unidade num local que suporte o peso da mesma.** Se o local de instalação não suportar o peso da unidade, esta pode cair e causar ferimentos.
- **A instalação eléctrica deve ser efectuada por um electricista qualificado e experiente, em conformidade com o manual de instalação. Deve utilizar um circuito exclusivo. Não ligue outros aparelhos ao circuito.** Se a capacidade do circuito de alimentação for insuficiente ou a instalação eléctrica for incorrecta, isso pode resultar num incêndio ou choque eléctrico.
- **Ligue a unidade à terra correctamente.** Não ligue o fio de terra a um tubo de gás, tubo de água, haste de pára-raios ou fio de terra de um telefone. Uma ligação incorrecta à terra pode provocar choque eléctrico.
- **Não danifique os fios ao aplicar pressão excessiva com peças ou parafusos.** Os fios danificados podem causar incêndio ou choque eléctrico.
- **Certifique-se de que corta a corrente eléctrica principal no caso de proceder à instalação da placa de circuito impresso interna ou a trabalhos de instalação eléctrica.** O incumprimento desta recomendação pode causar choque eléctrico.
- **Utilize os fios especificados para ligar as unidades interior e exterior de forma segura e ligue bem os fios às secções de ligação do bloco de terminais, de modo a que a tensão dos fios não seja aplicada às secções. Não faça nenhuma extensão dos fios nem utilize uma ligação intermédia.** Uma ligação ou fixação incorrecta pode provocar um incêndio.
- **Não instale a unidade em locais onde possa existir uma fuga de gás inflamável.** Se ocorrer uma fuga de gás e este se acumular em redor da unidade pode provocar uma explosão.
- **Não utilize uma ligação intermediária do cabo de alimentação nem um cabo de extensão e não ligue muitos dispositivos à mesma tomada CA.** Isso poderia causar um incêndio ou um choque eléctrico devido a um contacto defeituoso, isolamento defeituoso, excesso da corrente permitível, etc.
- **Utilize as peças fornecidas ou as peças especificadas para o trabalho de instalação.** A utilização de peças defeituosas pode causar ferimentos ou a fuga de água devido a um incêndio, choque eléctrico, queda da unidade, etc.
- **Quando ligar a ficha do cabo de alimentação na tomada, verifique se não há pó, obstruções nem peças soltas na tomada e na ficha. Verifique se a ficha do cabo de alimentação está completamente inserida na tomada.** Se houver pó, obstruções ou peças soltas na ficha do cabo de alimentação ou na tomada, poderá ocorrer choque eléctrico ou incêndio. Se detectar peças soltas na ficha do cabo de alimentação, proceda à respectiva substituição.
- **Coloque a tampa da parte eléctrica na unidade interior e o painel de serviço na unidade exterior de forma segura.** Se a tampa da parte eléctrica da unidade interior e/ou o painel de serviço da unidade exterior não forem devidamente colocados, poderá ocorrer um incêndio ou um choque eléctrico devido à existência de pó, água, etc.
- **Quando efectuar operações de instalação, reinstalação ou manutenção, certifique-se de que não entra nenhuma substância na unidade para além do refrigerante especificado (R32/R410A) no respectivo circuito.** A presença de substâncias estranhas, tal como ar, pode causar um aumento anormal da pressão ou resultar em explosões ou ferimentos. A utilização de um refrigerante diferente do indicado para o sistema resultará em falha mecânica, mau funcionamento do sistema e avaria na unidade. No pior dos cenários, poderá constituir uma ameaça grave à segurança do produto.
- **Não altere a unidade.** Isto pode provocar um incêndio, um choque eléctrico, ferimentos ou uma fuga de água.
- **Não descarregue o refrigerante para a atmosfera. Se ocorrer fuga de refrigerante durante a instalação, ventile a divisão. Certifique-se de que não existem fugas de refrigerante depois de concluída a instalação.** Se ocorrer alguma fuga de refrigerante e este entrar em contacto com fogo ou uma peça de aquecimento como, por exemplo, um termoventilador, um aquecedor a óleo ou um fogão, irá criar um gás nocivo. Proporcione ventilação de acordo com a EN378-1.
- **Utilize ferramentas e materiais de canalização adequados para a instalação.** A pressão do R32/R410A é 1,6 vezes superior à do R22. A não utilização de ferramentas ou materiais adequados e a instalação incompleta podem causar o rebentamento dos tubos ou ferimentos.
- **Quando ocorre uma fuga no circuito de refrigerante, não proceda à bombagem com o compressor. Quando proceder à bombagem do refrigerante, desligue o compressor antes de desligar os tubos de refrigerante.** Se desligar os tubos de refrigerante com o compressor em funcionamento e a válvula de retenção estiver aberta, pode entrar ar e a pressão do ciclo de refrigeração pode ficar involuntariamente elevada. Isto poderá provocar o rebentamento dos tubos e ferimentos.
- **Instale um disjuntor de fuga para terra, dependendo do local onde o aparelho de ar condicionado for instalado.** Deixar de instalar um disjuntor de fuga para terra pode provocar choque eléctrico.
- **Quando instalar a unidade, ligue os tubos de refrigerante firmemente antes de ligar o compressor.** Se o compressor for ligado antes de os tubos de refrigerante estarem ligados e se a válvula de retenção estiver aberta, pode entrar ar e a pressão do ciclo de refrigeração pode ficar involuntariamente elevada. Isto poderá provocar o rebentamento dos tubos e ferimentos.
- **Aperte a porca de abocardamento com uma chave dinamométrica, conforme o especificado neste manual.** Se for demasiado apertada, a porca pode partir passando um longo período de tempo e provocar a fuga de refrigerante.
- **A unidade deve ser instalada de acordo com os regulamentos nacionais relativos a instalações eléctricas.**
- **Quando utilizar um queimador a gás ou outro equipamento para produção de chama, remova completamente todo o refrigerante do ar condicionado e certifique-se de que a área tem boa ventilação.** Se ocorrer uma fuga de refrigerante e este entrar em contacto com fogo ou uma peça de aquecimento, irá criar-se um gás nocivo e existe o risco de incêndio.
- **Não utilize meios para acelerar o processo de descongelamento ou para limpeza diferentes dos recomendados pelo fabricante.**
- **O aparelho deve ser armazenado numa divisão onde não existam fontes de ignição em funcionamento contínuo (por exemplo: chamas abertas, um aparelho a gás ou um aquecedor eléctrico em funcionamento).**
- **Não fure ou queime.**
- **Tenha em atenção que os refrigerantes podem ser inodoros.**
- **As tubagens devem estar protegidas de danos físicos.**
- **A instalação das tubagens deve ser reduzida ao mínimo.**
- **Devem ser observados os regulamentos nacionais relativos ao gás.**
- **Mantenha sem obstruções as entradas de ventilação necessárias.**
- **Mantenha aparelhos de combustão a gás, aquecedores eléctricos e outras fontes de ignição (fogo) afastados do local de instalação, de reparação e de realização de outras operações do aparelho de ar condicionado.**
- **O aparelho deve ser guardado numa área bem ventilada cujas dimensões correspondam às da área especificada para o funcionamento.**
- **Não desligue o disjuntor (OFF), excepto se sentir cheiro a queimado ou tiver de efectuar operações de manutenção ou inspecção.** Não é possível fornecer alimentação ao sensor do refrigerante montado na unidade interior, nem o sensor consegue detectar uma fuga de refrigerante. Isto pode provocar um incêndio.
- **Fixe o cabo de ligação firmemente na posição recomendada.** Uma instalação incorreta pode provocar choque eléctrico, incêndio e/ou mau funcionamento.

- **Efectue os trabalhos de drenagem/tubagem de forma segura, de acordo com o manual de instalação.**
Se a drenagem/tubagem for efectuada incorrectamente, pode cair água da unidade, molhando e danificando os bens da casa.
- **Não toque na entrada de ar nem nas palhetas de alumínio da unidade exterior.**
Isto poderá provocar ferimentos.
- **Use equipamento de proteção quando pretender tocar na base da unidade exterior.**
Se não usar o equipamento de proteção, poderão ocorrer ferimentos.
- **Não instale a unidade exterior em locais onde possam viver pequenos animais.**
Se animais pequenos entrarem ou tocarem nos componentes eléctricos no interior da unidade, podem provocar uma avaria, emissão de fumo ou um incêndio. Deve também aconselhar o utilizador a manter a área em torno da unidade limpa.
- **Não utilize o aparelho de ar condicionado durante as obras no interior e trabalhos de acabamento ou enquanto encerar o chão.**
Antes de utilizar o aparelho de ar condicionado, ventile bem a divisão após a conclusão de tais trabalhos. Caso contrário, é possível que elementos voláteis adiram ao interior do aparelho de ar condicionado, dando origem a fugas de água ou dispersão de gotas de água.
- **Não instale a unidade em locais onde possa existir concentração de fumo, gás ou fármacos.**
O sensor do refrigerante montado na unidade interior poderá reagir e apresentar um erro de fuga de refrigerante.
- **Tenha cuidado com a rotação da ventoinha quando o disjuntor estiver ligado (ON).**
Quando o sensor do refrigerante detecta a fuga de refrigerante, a ventoinha começa a rodar automaticamente. Isto pode provocar ferimentos.
- **Quando utilizar qualquer pulverizador de aerossol para efectuar obras no interior, para realizar trabalhos de acabamento ou para selar um orifício numa parede, desligue (OFF) o disjuntor e ventile bem a divisão. O sensor do refrigerante poderá reagir ao gás do pulverizador e poderá provocar um erro de detecção.**

1-2. ESCOLHA DO LOCAL DE INSTALAÇÃO

Este manual descreve apenas a instalação da unidade interior.
Quando proceder à instalação da unidade exterior, consulte o manual de instalação da unidade exterior.

UNIDADE INTERIOR

⚠ ⚠ AVISO

- Esta unidade deve ser instalada em divisões cujo espaço exceda as dimensões especificadas no manual de instalação da unidade exterior.**
- Consulte o manual de instalação da unidade exterior.

As condições seguintes devem ser respeitadas quando pretender instalar unidades interiores:

- Locais onde o fluxo de ar não fique bloqueado.
- Locais onde o ar frio (ou quente) se possa espalhar por toda a divisão.
- Parede rígida sem vibração.
- Locais onde não haja exposição directa ao sol. Evitar a exposição directa ao sol também desde a desembalagem até à utilização.
- Locais de fácil drenagem.
- A uma distância de 1 m ou mais do televisor e do rádio. O funcionamento do ar condicionado pode interferir com a recepção do sinal de rádio ou de televisão. Pode ser necessário um amplificador para o aparelho afectado.
- Locais o mais afastados possível de lâmpadas fluorescentes e incandescentes. Para que o controlo remoto de infravermelhos possa controlar o aparelho de ar condicionado normalmente. O calor das lâmpadas pode provocar deformação ou a radiação ultravioleta pode causar deterioração.
- Locais onde o filtro de ar possa ser removido e recolocado facilmente.
- Locais afastados da outra fonte de calor ou vapor.
- Não instale a unidade em ambientes onde seja utilizado equipamento que funcione a gás propano, butano ou metano, aerossóis (por exemplo, insecticidas), equipamento que produza fumo, material de isolamento e fármacos, ou em locais onde seja produzido gás à base de enxofre.
- O sensor do refrigerante montado na unidade interior poderá reagir e apresentar um erro de fuga de refrigerante. Isto pode fazer com que a unidade deixe de funcionar.

CONTROLO REMOTO

Em seguida, apresentam-se condições ideais para armazenar um controlo remoto:

- Onde seja fácil de ver e utilizar.
- Fora do alcance das crianças.
- Seleccione uma posição aproximadamente 1,2 m acima do solo e verifique se a unidade interior recebe os sinais do controlo remoto a partir dessa posição (sons de recepção "bip" ou "bip bip").

Nota:

Em locais com lâmpadas fluorescentes de tipo inversor, o sinal do controlo remoto pode não ser recebido.

Nota:

Evite efectuar a instalação nos locais apresentados em seguida, pois estes são propensos à ocorrência de problemas com o aparelho de ar condicionado.

- Locais onde possam existir fugas de gás inflamável.
- Locais onde haja muito óleo de máquinas.
- Locais sujeitos a salpicos de óleo ou áreas com fumos oleosos (como, por exemplo, áreas de restauração e fábricas, nas quais as propriedades do plástico podem ser alteradas ou danificadas).
- Locais expostos a ar salgado, tais como locais à beira-mar.
- Onde se produza gás sulfuroso, tal como em nascentes de água quente, esgotos e águas residuais.
- Locais onde existam equipamentos de alta frequência ou sem fios.
- Nos locais sujeitos a emissão de níveis elevados de COV, incluindo compostos de ftalato, formaldeído, etc., susceptível de causar intoxicação química.
- O aparelho deve ser armazenado para evitar a ocorrência de danos mecânicos.

Se efetuar ligação à unidade exterior que utiliza refrigerante R32, instale a unidade interior numa divisão com uma área de piso de Amin ou mais, equivalente ao refrigerante M (refrigerante abastecido de fábrica + refrigerante a adicionar localmente). Para informações sobre a quantidade de refrigerante e o abastecimento adicional de refrigerante, consulte a unidade exterior.

M [kg]	Amin [m ²]
1,00	Nenhum requisito
1,10	
1,20	
1,30	
1,40	
1,50	
1,60	
1,70	
1,80	
1,84	
1,90	3,75
2,00	3,95
2,10	4,15
2,20	4,34
2,30	4,54
2,40	4,74

Consulte o manual de instalação da unidade exterior para se informar sobre o abastecimento de refrigerante.

1-3. ESPECIFICAÇÕES

Modelo	Alimentação *1		Especificações dos fios *2 Fio de ligação da unidade interior/exterior	Tamanho do tubo (espessura *3, *4, *5, *6)		Espessura do isolamento *7, *8
	Voltagem Nominal	Frequência		Gás	Líquido	
MFZ-KT25VG	230 V	50 Hz	4 condutores, 2,0 mm ²	ø9,52 mm (0,8 mm)	ø6,35 mm (0,8 mm)	14 mm
MFZ-KT35VG						
MFZ-KT50VG						
MFZ-KT60VG						

*1 Ligue a um interruptor de alimentação que tenha uma folga de 3 mm ou mais quando aberto para interromper a fase da fonte de alimentação. (Quando o interruptor de alimentação for desligado, deve desligar todas as fases.)

*2 Utilize fios em conformidade com a norma IEC 60245 - 57.

*3 Nunca utilize tubos de espessura inferior à especificada. A resistência à pressão será insuficiente.

*4 Utilize um tubo de cobre ou de liga de cobre integral.

*5 Tenha cuidado para não danificar o tubo quando dobrar.

*6 O raio de curvatura do tubo refrigerante deve ser de 100 mm ou mais.

*7 Material de isolamento: plástico espumoso antitérmico com gravidade específica de 0,045

*8 Certifique-se de que é utilizado o isolamento com a espessura especificada. Uma espessura excessiva pode causar a instalação incorrecta da unidade interior e uma espessura insuficiente pode provocar a queda de gotas de condensação.

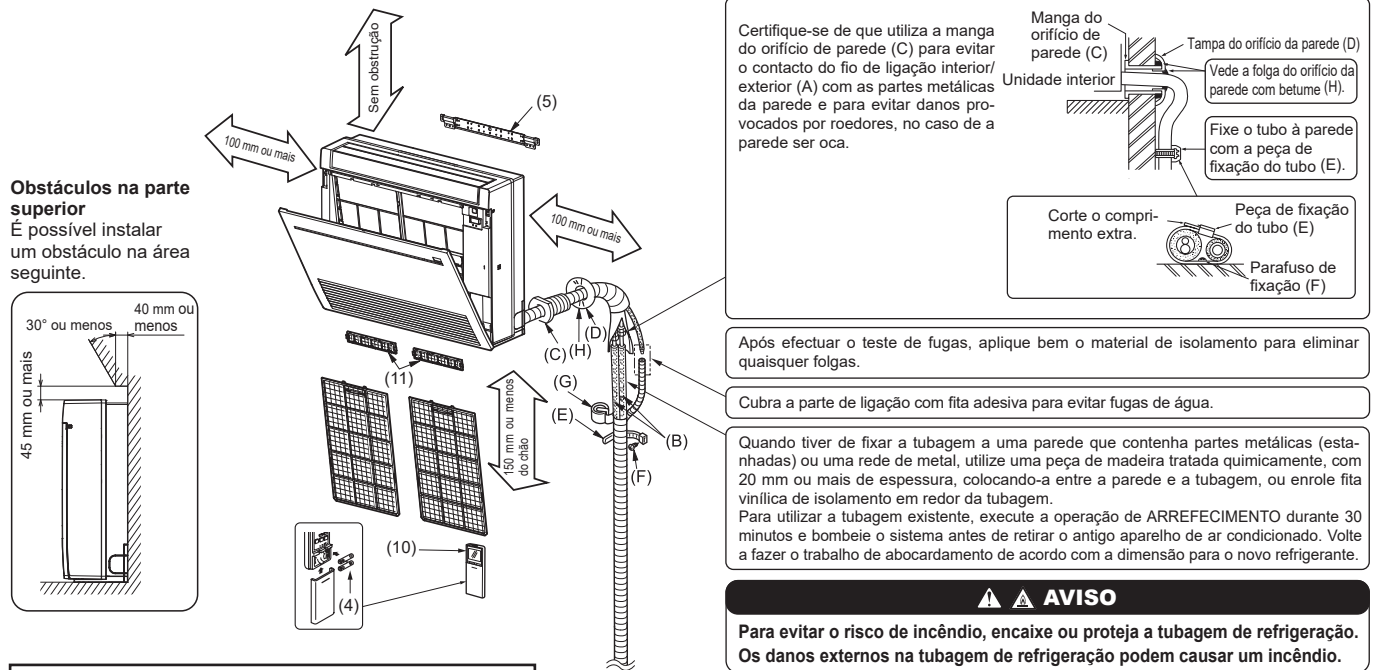
1-4. DIAGRAMA DE INSTALAÇÃO

Quando proceder à instalação de unidades exteriores, consulte o respetivo manual de instalação.

A tabela de especificações das tubagens não apresenta um comprimento mínimo do conjunto de condutores.

No entanto, as unidades interiores cujas tubagens ligadas tenham um comprimento inferior a 3 m podem produzir ruídos intermitentes durante o funcionamento normal do sistema em ambientes muito silenciosos.

Tenha em atenção esta informação importante quando escolher um local e instalar a unidade interior num espaço condicionado.



As unidades devem ser instaladas por pessoal autorizado de acordo com os requisitos do código local.

ACESSÓRIOS

Verifique as seguintes peças antes da instalação.

(1) Mangueira de drenagem*	1
(2) Tampa do tubo	1
(3) Banda	2
(4) Pilha (AAA) para (10)	2
(5) Suporte de montagem da unidade interior	1
(6) Parafuso de fixação para (5) 4 x 25 mm	5
(7) Parafuso de madeira para fixação da unidade interior	4
(8) Anilha de (7)	4
(9) Fita de feltro (utilizada para a tubagem esquerda ou esquerda-posterior)	1
(10) Controlo remoto sem fio	1
(11) Filtro de limpeza do ar	2
(12) Tubo de união (apenas KT60)	1
(13) Tampa de tubo para tubo de união (apenas KT60)	1
(14) Etiqueta do disjuntor	1
(15) Aviso do disjuntor	1

* Nota:

A mangueira de drenagem está ligada à unidade.

PEÇAS A PROVIDENCIAR NO LOCAL

(A) Fio de ligação da unidade interior/exterior*	1
(B) Tubo de extensão	1
(C) Manga do orifício de parede	1
(D) Tampa do orifício da parede	1
(E) Peça de fixação do tubo	2 - 5
(F) Parafuso de fixação para (E) 4 x 20 mm	2 - 5
(G) Fita para a tubagem	1
(H) Betume	1
(J) Mangueira de drenagem (ou mangueira maleável em PVC com diâmetro interno de 15 mm ou tubo rígido VP16 em PVC)	1 ou 2
(K) Cabo de alimentação*	1
(L) Banda (apenas ligação à interface Wi-Fi)	2

* Nota:

Coloque o fio de ligação da unidade interior/exterior (A) e o cabo de alimentação (K) a, pelo menos, 1 m de distância do cabo da antena do televisor.

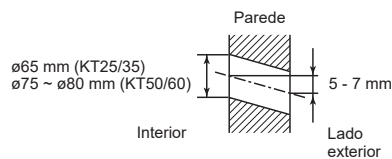
2. INSTALAÇÃO DA UNIDADE INTERIOR

2-1. FIXAÇÃO DO SUPORTE DE MONTAGEM DA UNIDADE INTERIOR

- Não instale a unidade interior em locais com altura superior a 150 mm.
- Escolha uma zona rígida da parede (tal como uma viga) e fixe o suporte (5) na horizontal com os parafusos de fixação (6).
- Para evitar a vibração do suporte (5), certifique-se de que instala os parafusos de fixação nos orifícios indicados na figura. Para obter uma maior sustentação, também é possível instalar parafusos de fixação noutros orifícios.

2-2. PERFURAÇÃO DO ORIFÍCIO

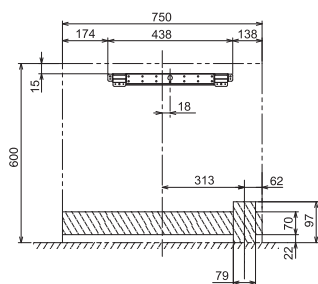
- 1) Determine a posição do orifício na parede.
- 2) Faça um orifício com 65 mm de diâmetro (diâ. de 75 ~ 80 mm para KT50/60). O lado exterior deve ficar 5 a 7 mm abaixo do lado interior.
- 3) Insira a manga do orifício de parede (C).



POSICIONAMENTO DOS ORIFÍCIOS

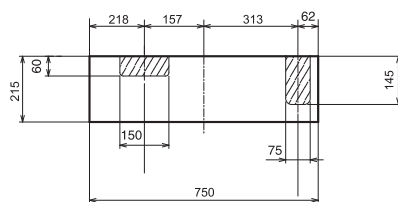
PARA TUBAGEM POSTERIOR OU ESQUERDA-POSTERIOR

(A figura que se segue é uma vista frontal do local de instalação da unidade interior.)

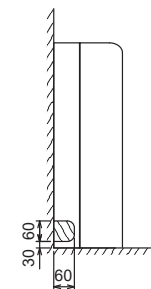


PARA TUBAGEM PARA BAIXO OU ESQUERDA PARA BAIXO

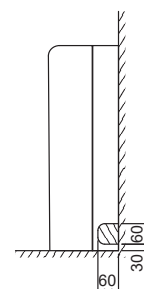
(A figura que se segue é uma vista da parte de baixo da unidade interior.)



PARA TUBAGEM ESQUERDA



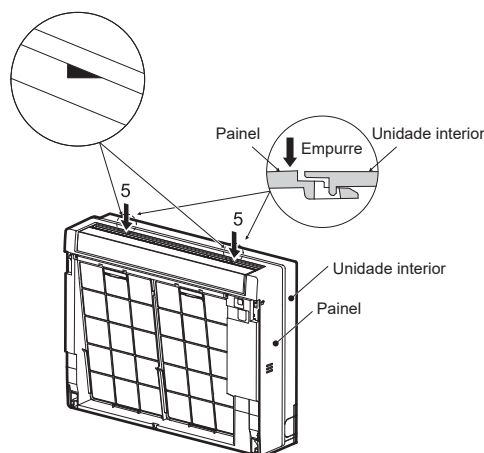
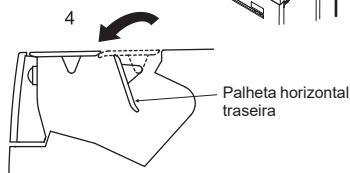
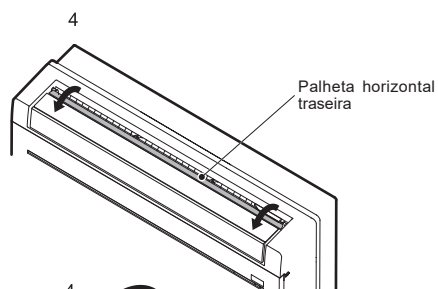
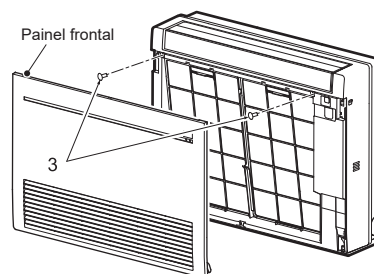
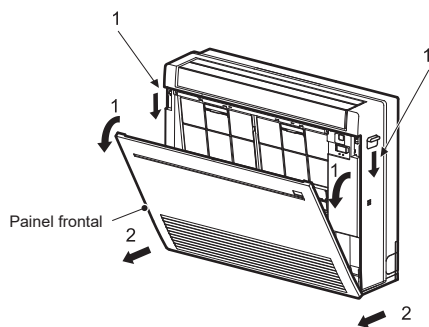
PARA TUBAGEM DIREITA



2-3. PREPARAÇÃO DA UNIDADE INTERIOR

Remova o painel frontal da unidade interior.

- 1) Prima para baixo as patilhas de ambos os lados da unidade para abrir o painel frontal.
- 2) Puxe o painel frontal na sua direcção para removê-lo.
- 3) Retire os 2 parafusos.
- 4) Abra a palheta horizontal traseira.
- 5) Prima os 2 locais no topo do painel e depois puxe a parte superior do painel na sua direcção.
- 6) Retire o painel ao mesmo tempo que o levanta (ligeiramente).



2-4. INSTALAÇÃO DA UNIDADE INTERIOR

2-4-1. INSTALAÇÃO DA UNIDADE INTERIOR NO CHÃO

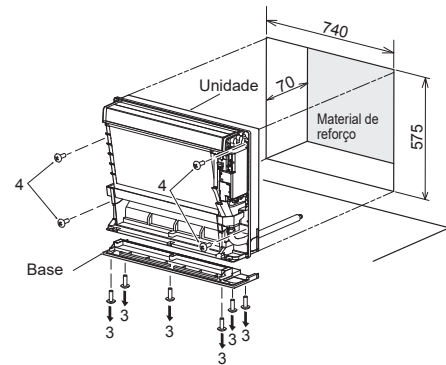
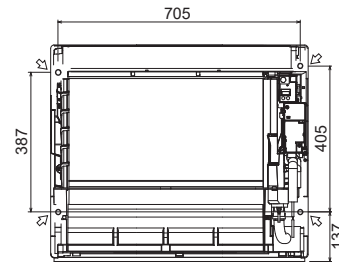
- 1) Coloque a unidade interior em chão plano.
- 2) Fixe a unidade interior nos 4 pontos com os parafusos de madeira (7) e anilhas (8) incluídos. Aperte bem os parafusos.

2-4-2. MONTAGEM DA UNIDADE INTERIOR NA PAREDE

- 1) Engate a parte de cima da unidade interior ao respectivo suporte de montagem (5).
- 2) Fixe a unidade interior nos 4 pontos com os parafusos de madeira (7) e anilhas (8) incluídos. Aperte bem os parafusos.

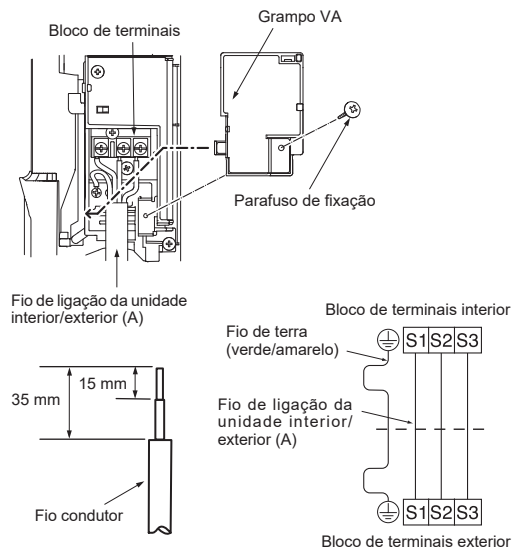
2-4-3. INSTALAÇÃO DA UNIDADE INTERIOR EMBUTIDA NUMA PAREDE

- 1) Abra um buraco na parede.
- 2) Com material de reforço, ajuste a profundidade.
- 3) Desaperte o parafuso que fixa a base à unidade. Retire a base da unidade.
- 4) Fixe a unidade interior nos 4 pontos com os parafusos de madeira (7) e anilhas (8) incluídos. Aperte bem os parafusos.



2-5. LIGAÇÃO DOS FIOS PARA A UNIDADE INTERIOR

- 1) Retire o grampo VA.
- 2) Passe o fio de ligação da unidade interior/exterior (A) da parte posterior da unidade interior e prepare a extremidade do fio.
- 3) Desaperte o parafuso do terminal e ligue primeiro o fio de terra e, em seguida, o fio de ligação da unidade interior/exterior (A) ao bloco de terminais. Tenha cuidado para não efectuar ligações incorrectas. Fixe bem o fio no bloco de terminais de forma a que nenhuma parte do núcleo fique visível e não seja exercida qualquer força externa na secção de ligação do bloco de terminais.
- 4) Aperte bem os parafusos dos terminais para evitar que se desapertem. Depois de apertar, puxe os fios ligeiramente e verifique se não se movem.
- 5) Fixe o fio de ligação da unidade interior/exterior (A) e o fio de terra com o grampo VA. Nunca se esqueça de prender o gancho esquerdo do grampo VA. Prenda bem o grampo VA.



- O fio de terra deve ficar ligeiramente mais comprido do que os outros. (Mais de 45 mm)
- Para manutenção futura, os fios de ligação devem ficar com um comprimento extra.
- Não dobre o excedente de fio nem o amontoe em espaços pequenos. Tenha cuidado para não danificar os fios.
- Certifique-se de que coloca cada parafuso no respectivo terminal ao fixar o cabo e/ou o fio ao bloco de terminais.

⚠ AVISO

Quando instalar a unidade, ligue os tubos de refrigerante firmemente antes de ligar o compressor.

2-6. MODELAÇÃO E INSTALAÇÃO DA TUBAGEM

Nota: Consulte a secção 3. LIGAÇÕES ABOCARDADAS, LIGAÇÃO DOS TUBOS.

Modelação da tubagem

- Oriente a mangueira de drenagem diagonalmente abaixo dos tubos de ligação.
- Certifique-se de que a mangueira de drenagem não está orientada para cima e de que não apresenta ondulações.
- Não puxe a mangueira de drenagem para aplicar fita em torno da mesma.
- Oriente a tubagem de modo a que a mesma não seja projectada para além da parte de trás da unidade interior. (Consulte a figura à direita.)

Ligação da instalação da tubagem

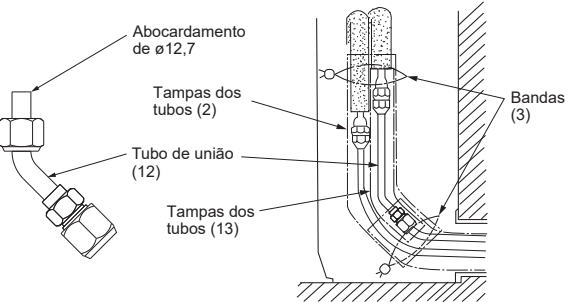
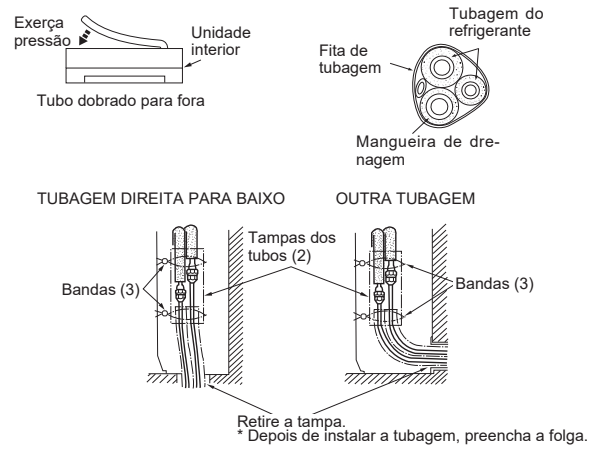
- Instale os tubos de ligação de modo a que a tubagem se possa deslocar ligeiramente para a frente, para trás, para a esquerda e para a direita.
- Com a tampa removida, após a instalação da tubagem, certifique-se de que tapa os tubos e que nenhuma tubagem fica exposta na divisão.
- Depois de instalar a tubagem, preencha a folga.

- Certifique-se de que isola os tubos de ligação para que não entrem em contacto com o painel.
- Tenha cuidado para não danificar os tubos de ligação quando os dobrar.

Para o MFZ-KT60

- Certifique-se de que utiliza o tubo de união (12). Se não o fizer, não é possível fixar o tubo de extensão de $\phi 15,88$.
- Efectue o abocardamento do tubo de união (12) até $\phi 12,7$ e coloque a tampa do tubo (13).

Utilize a porca de abocardamento instalada na unidade.
Tenha cuidado com a direcção das porcas.



PT

PARA TUBAGEM ESQUERDA OU ESQUERDA-POSTERIOR

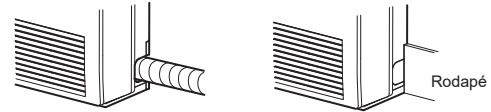
Una os tubos de ligação e a mangueira de drenagem e, de seguida, coloque fita de feltro em torno dos mesmos (9).

Corte e utilize os painéis laterais inferiores no lado esquerdo e direito da unidade interior de acordo com o indicado.

Suavize as arestas de corte dos painéis laterais de modo a que os mesmos não danifiquem o revestimento vedante.

- Para tubagem esquerda ou direita
- Instalação da tubagem numa parede com rodapé

Aplique fita de feltro (9) firmemente em torno dos tubos e da mangueira, começando junto ao ponto onde os tubos e a mangueira são orientados a partir da unidade interior. (A largura de sobreposição da fita de feltro (9) não deve corresponder a mais de 1/2 da largura da fita.)



Corte os painéis laterais inferiores para se adequarem à altura do rodapé.

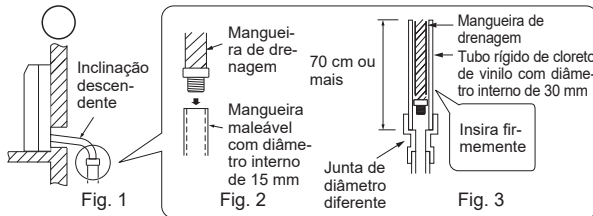
Comece a aplicar a fita de tubagem (G) em torno dos tubos e da mangueira 10 mm para dentro da unidade interior.

Aperte a extremidade da fita de feltro (9) com um detentor de bandagem.

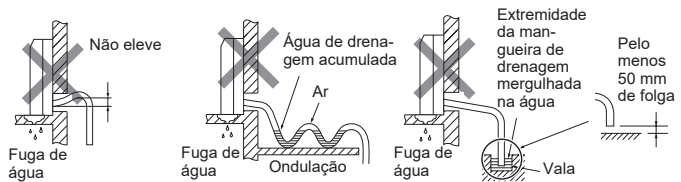
Fita de feltro (9) Certifique-se de que a mangueira de drenagem não está orientada para cima.

2-7. TUBAGEM DE DRENAGEM

- Caso a extensão da mangueira de drenagem tenha de passar pelo interior de uma divisão, enrole-a num material de isolamento disponível no mercado.
- A mangueira de drenagem deve ficar voltada para baixo para facilitar o fluxo de drenagem. (Fig. 1)
- Caso a mangueira de drenagem fornecida com a unidade interior seja demasiado curta, ligue-a à mangueira de drenagem (J) que deve ser providenciada no local. (Fig. 2)
- Utilize fita ou outro material para vedar a ligação entre a mangueira de drenagem do produto e a extensão da mangueira de drenagem (16 mm de diâmetro interno) (J).
- Ao ligar a mangueira de drenagem ao tubo rígido de cloreto de vinilo, certifique-se de que a insere firmemente no tubo. (Fig. 3)

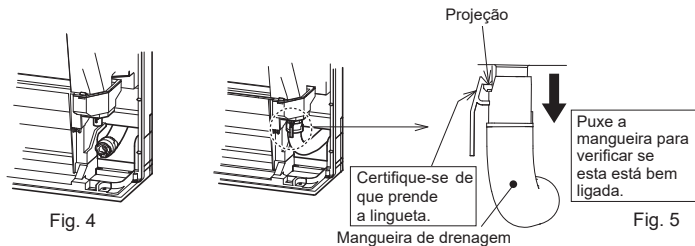


Não instale a tubagem de drenagem da forma apresentada em seguida.



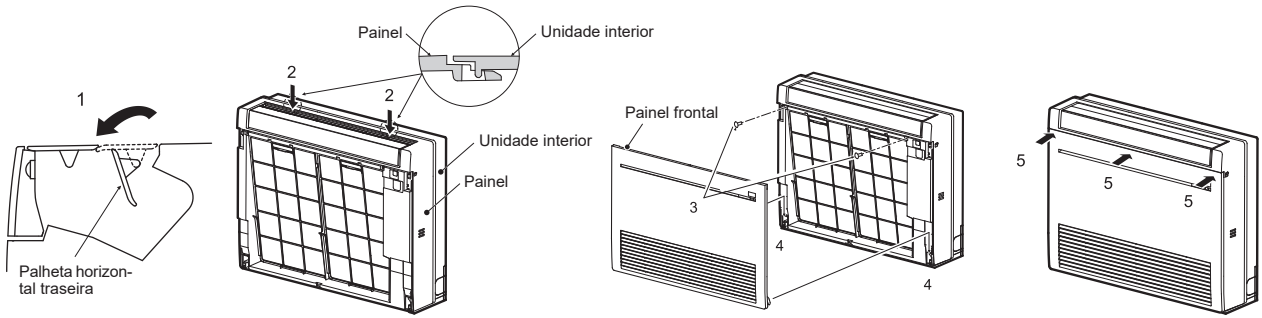
A mangueira de drenagem é removida na instalação.

- Ao orientar a tubagem de drenagem, certifique-se de que a mangueira de drenagem (1) é orientada de acordo com o indicado. (Fig. 4)
- Insira a mangueira de drenagem completamente até à base do reservatório de drenagem (ligação final). (Fig. 5)
- Certifique-se de que a lingueta da mangueira de drenagem está bem engatada na projeção do orifício no reservatório de drenagem.
- Depois de ligar a mangueira de drenagem, não se esqueça de a puxar para verificar se está bem ligada.



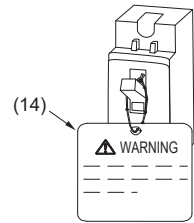
2-8. INSTALAÇÃO DO PAINEL FRONTAL

- 1) Abra a palheta horizontal traseira.
- 2) Fixe o painel. Certifique-se de que as linguetas estão presas.
- 3) Fixe o painel com parafusos.
- 4) Insira a parte inferior do painel frontal.
- 5) Prima 3 locais na parte superior do painel frontal para o fechar.



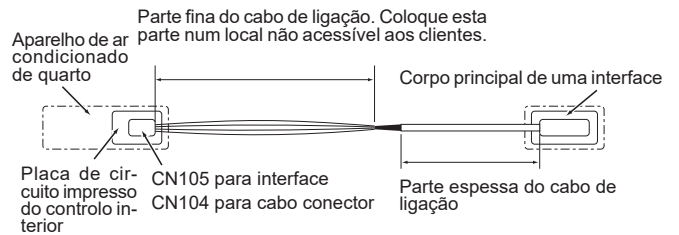
2-9. COMO COLOCAR A ETIQUETA E A EXPLICAÇÃO

O disjuntor tem de estar sempre ligado (ON), excepto quando tiver de efectuar operações de manutenção ou inspecção. Pendure a etiqueta fornecida (14) ou (15) no disjuntor e informe os clientes. Quando desliga o disjuntor (OFF), não é possível fornecer alimentação ao sensor do refrigerante montado na unidade interior, nem detectar uma fuga de refrigerante.
Nota: Quando a instalação eléctrica tiver fontes de alimentação separadas para as unidades interior e exterior, pendure a etiqueta fornecida (14) ou (15) no disjuntor do lado da unidade interior e informe os clientes.

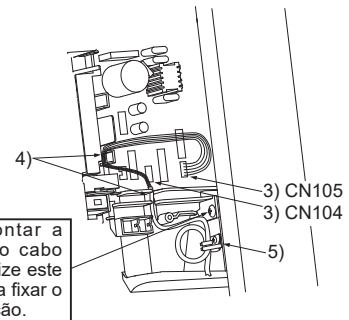


2-10. LIGAÇÃO DE UMA INTERFACE (opção)/UM CABO CONECTOR (opção) AO AR CONDICIONADO

- Utilize um cabo de ligação para ligar uma interface/um cabo conector à placa de circuito impresso do controlo interior de um aparelho de ar condicionado.
- Se cortar ou aumentar o cabo de ligação da interface/do cabo conector, ocorrerão problemas na ligação. Não junte o cabo de ligação com o cabo de alimentação, o fio de ligação da unidade interior/exterior e/ou o fio de ligação à terra. Mantenha a máxima de distância possível entre o cabo de ligação e esses fios.
- A parte fina do cabo de ligação deve ser guardada e colocada num local não acessível aos clientes.



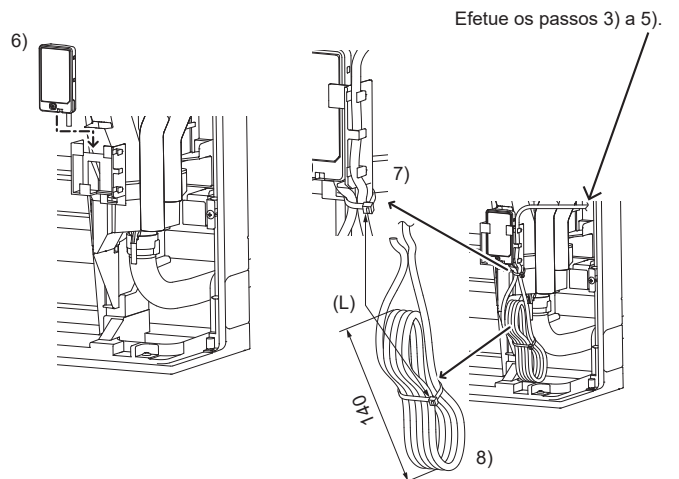
- 1) Retire o painel.
- 2) Abra a tampa da placa de circuito impresso do controlo interior.
- 3) Ligue o cabo de ligação ao conector CN105 e/ou CN104 da placa de circuito impresso do controlo interior.
- 4) Direcione o cabo de ligação através deste ponto na figura.
- 5) Fixe o grampo do cabo fornecido com a interface/o cabo conector à parte grossa do cabo de ligação com um parafuso de 4 × 16, conforme ilustra a figura.
- 6) Feche a tampa placa de circuito impresso do controlo interior. Tenha cuidado para não entalar a parte fina do cabo de ligação na tampa. Volte a instalar o painel.



Nota:

Quando pretender ligar a interface Wi-Fi (opção), instale a interface no suporte, conforme ilustra a figura.
Ajuste o comprimento do cabo e prenda-o com a banda, conforme ilustra a figura.

- 1) Retire o painel.
- 2) Abra a tampa da placa de circuito impresso do controlo interior.
- 3) Ligue o cabo de ligação ao conector CN105 da placa de circuito impresso do controlo interior.
- 4) Direcione o cabo de ligação através deste ponto na figura.
- 5) Fixe o grampo do cabo fornecido com a interface/o cabo conector à parte grossa do cabo de ligação com um parafuso de 4 × 16, conforme ilustra a figura.
- 6) Coloque a interface Wi-Fi no suporte.
- 7) Coloque o cabo de ligação no suporte e, em seguida, fixe-o com a banda (L).
- 8) Envolve o excesso de cabo com a banda (L). A parte enrolada deve ter cerca de 140 mm.
- 9) Feche a tampa da placa de circuito impresso do controlo interior. Tenha cuidado para não entalar a parte fina do cabo de ligação na tampa. Volte a instalar o painel.



AVISO

Fixe o cabo de ligação firmemente na posição recomendada.
Uma instalação incorrecta pode provocar choque eléctrico, incêndio e/ou mau funcionamento.

3. LIGAÇÕES ABOCARDADAS, LIGAÇÃO DOS TUBOS

3-1. TRABALHO DE ABOCARDAMENTO

- 1) Corte o tubo de cobre correctamente com um cortador de tubos. (Fig. 1, 2)
- 2) Retire completamente todas as rebarbas da secção transversal de tubo. (Fig. 3)
 - Volte a extremidade do tubo de cobre para baixo quando remover as rebarbas para evitar que estas caiam dentro do tubo.
- 3) Remova as porcas de abocardamento instaladas nas unidades interior e exterior e coloque-as no tubo sem nenhuma rebarba. (Não é possível colocá-las após o trabalho de abocardamento.)
- 4) Trabalho de abocardamento (Fig. 4, 5). Mantenha firmemente o tubo de cobre na dimensão apresentada na tabela. Selecione A mm na tabela de acordo com a ferramenta utilizada.
- 5) Verifique
 - Compare o trabalho de abocardamento com a Fig. 6.
 - Se o abocardamento parecer incorrecto, corte a secção abocardada e efectue novamente o trabalho.

Diâmetro do tubo (mm)	Porca (mm)	A (mm)			Binário de aperto	
		Ferramenta tipo torno para R32, R410A	Ferramenta tipo torno para R22	Ferramenta tipo porca de orelhas para R22	N•m	kgf•cm
ø6,35 (1/4")	17	0 - 0,5	1,0 - 1,5	1,5 - 2,0	14 - 18	140 - 180
ø9,52 (3/8")	22			34 - 42	340 - 420	
ø12,7 (1/2")	26			2,0 - 2,5	49 - 61	490 - 610
ø15,88 (5/8")	29			-	68 - 82	680 - 820

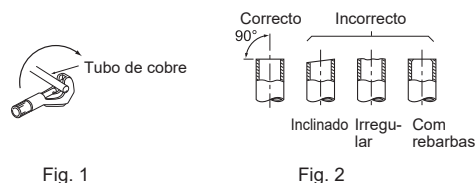


Fig. 1

Fig. 2

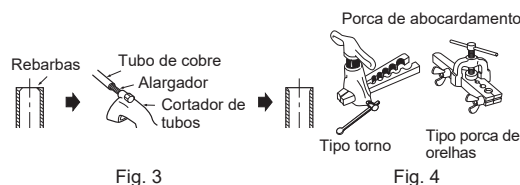


Fig. 3

Fig. 4

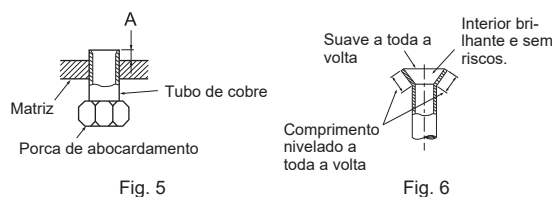


Fig. 5

Fig. 6

3-2. LIGAÇÃO DOS TUBOS

- Aperte a porca de abocardamento com uma chave dinamométrica, conforme especificado na tabela.
- Se for demasiado apertada, a porca de abocardamento pode partir passado um longo período de tempo e provocar uma fuga de refrigerante.
- Certifique-se de que coloca isolamento em redor da tubagem. O contacto directo com a tubagem pode resultar em queimaduras ou úlceras causadas pelo frio.

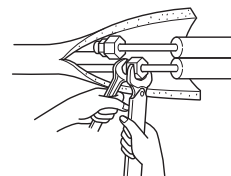
Ligação da unidade interior

Ligue as tubagens do líquido e do gás à unidade interior.

- Não aplique óleo refrigerante na rosca do parafuso. Um binário de aperto excessivo vai danificar o parafuso.
- Para efectuar a ligação, alinhe primeiro o centro e, em seguida, aperte a porca de abocardamento manualmente 3 ou 4 voltas.
- Utilize a tabela de binários de aperto apresentada acima como um guia para a secção de união do lado da unidade interior, e aperte usando duas chaves. Um aperto excessivo causará danos à secção abocardada.

⚠ AVISO

No interior, não são permitidos conectores mecânicos reutilizáveis nem uniões abocardadas. Quando ligar a tubagem de refrigeração por brasagem, em vez de utilizar ligações de abocardamento, termine o processo de brasagem na íntegra antes de ligar a unidade interior à unidade exterior.



⚠ AVISO

Quando instalar a unidade, ligue os tubos de refrigerante firmemente antes de ligar o compressor.

4. TESTE DE FUNCIONAMENTO

4-1. TESTE DE FUNCIONAMENTO

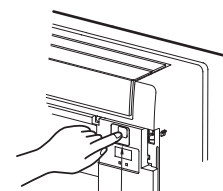
Certifique-se de que se verificam as seguintes condições.

- O painel está instalado correctamente.
 - As unidades interior e exterior estão correctamente instaladas e possuem alimentação.
- 1) Prima o E.O. SW uma vez para ARREFECIMENTO (COOL) e duas vezes para QUENTE (HEAT). O teste de funcionamento será realizado durante 30 minutos. Se a luz esquerda do indicador de operação ficar intermitente a cada 0,5 segundos, verifique se o fio de ligação da unidade interior/exterior (A) está mal ligado. Após o teste de funcionamento, inicia o modo de emergência (temperatura definida a 24°C).
 - 2) Para interromper a operação, prima o E.O. SW várias vezes até as lâmpadas LED apagarem. Consulte as instruções de operação para obter mais detalhes.

Verificação da recepção do sinal do controlo remoto (infravermelhos)

Prima o botão ON/OFF (LIGAR/DESLIGAR) do controlo remoto (10) e verifique se é emitido um som electrónico pela unidade interior. Volte a premir o botão ON/OFF (LIGAR/DESLIGAR) para desligar o aparelho de ar condicionado.

- O dispositivo preventivo de reinício é activado assim que o compressor pára para que este não funcione durante 3 minutos, de forma a proteger o aparelho de ar condicionado.



Interruptor de operação de emergência (E.O. SW)

4-2. FUNÇÃO DE REINÍCIO AUTOMÁTICO

Este produto está equipado com uma função de reinício automático. Quando a alimentação eléctrica é interrompida durante o funcionamento, por exemplo, no caso de um corte de energia, esta função reinicia automaticamente na última definição logo que a alimentação seja reposta. (Consulte as instruções de operação para obter mais detalhes.)

Cuidado:

- Depois do teste de funcionamento ou da verificação da recepção do sinal do controlo remoto, desligue a unidade com o E.O. SW ou com o controlo remoto antes de desligar a alimentação. Se não o fizer, a unidade irá reiniciar automaticamente a operação quando a alimentação for reposta.

Para o utilizador

- Depois de instalar a unidade, certifique-se de que explica a função de reinício automático ao utilizador.
- Se a função de reinício automático não for necessária, pode ser desactivada. Consulte o representante de assistência técnica para desactivar a função. Consulte o manual de assistência técnica para obter mais detalhes.

4-3. EXPLICAÇÃO PARA O UTILIZADOR

- Utilizando as INSTRUÇÕES DE OPERAÇÃO, explique ao utilizador de que forma deve utilizar o aparelho de ar condicionado (como utilizar o controlo remoto, como remover os filtros de ar, como retirar e colocar o controlo remoto na respectiva caixa de instalação, como limpar, as precauções a ter durante a operação, etc.)
- Recomende ao utilizador que leia com atenção as INSTRUÇÕES DE OPERAÇÃO.

5. BOMBAGEM

Consulte os procedimentos descritos no manual de instalação da unidade exterior.

⚠ AVISO

Quando ocorre uma fuga no circuito de refrigerante, não proceda à bombagem com o compressor. Quando proceder à bombagem do refrigerante, desligue o compressor antes de desligar os tubos de refrigerante. O compressor pode rebentar se ar etc. entrar nele.

INDHOLDSFORTEGNELSE

1. FØR INSTALLATION	1
2. INSTALLATION AF INDENDØRSENHED	4
3. OPKRAVNINGSTILSLUTNING, RØRTILSLUTNING	8
4. TESTKØRSEL	8
5. TØMNING	9

Modelnavnene er angivet i 1-3.





Denne installationshåndbog gælder kun for indendørsenheden. Se installationsvejledningen til udendørsenheden for at opsætte udendørsenheder.

Nødvendigt værktøj til installation

Stjerneskruetrækker	Opkravningsværktøj til R32, R410A
Vaterpas	Målemanifold til R32, R410A
Målestok	Vakuumpumpe til R32, R410A
Kniv eller saks	Påfyldningsslange til R32, R410A
75 mm hulsav	Rørskærer med rival
Momentnøgle	Vandflaske
Nøgle (eller skruenøgle)	0,9-1,0 l vand

1. FØR INSTALLATION

BETYDNINGEN AF DE SYMBOLER, DER VISES PÅ INDENDØRSENHEDEN OG/ELLER UDENDØRSENHEDEN

	ADVARSEL (Risiko for brand)	Denne enhed bruger et brændbart kølemiddel. Hvis kølemiddel lækker og kommer i kontakt med ild eller varmeenheder, dannes der skadelig gas, og der opstår risiko for brand.
	Læs omhyggeligt BETJENINGSVEJLEDNINGEN før drift.	
	Servicepersonale skal omhyggeligt læse BETJENINGSVEJLEDNINGEN og INSTALLATIONSVEJLEDNINGEN før drift.	
	Yderligere oplysninger fremgår af BETJENINGSVEJLEDNINGEN, INSTALLATIONSVEJLEDNINGEN osv.	

1-1. FØLGENDE SIKKERHEDSFORSKRIFTER SKAL ALTID IAGTTAGES

- Læs "FØLGENDE SIKKERHEDSFORSKRIFTER SKAL ALTID IAGTTAGES", før klimaanlægget installeres.
- Iagttag altid de herunder nævnte advarsler og forsigtighedsregler, da de indeholder vigtige sikkerhedsforskrifter.
- Efter læsning af denne manuel, sørg da for at opbevare den sammen med BETJENINGSVEJLEDNINGEN med henblik på senere brug.

⚠ ADVARSEL (Kan medføre livsfare, alvorlig personskade, etc.)

- **Installer ikke klimaanlægget selv (bruger).** Ufuldstændig installation kan føre til brand, elektriske stød, personskade pga. nedfald af enheden eller vandlækage. Henvend Dem til den forhandler, hvor De har købt anlægget eller til en fagkyndig installatør.
- **Udfør installationen på forsvarlig vis i henhold til installationsmanualen.** Ufuldstændig installation kan føre til brand, elektriske stød, personskade pga. nedfald af enheden eller vandlækage.
- **Ved installation af enheden skal der af sikkerhedsårsager benyttes passende beskyttelsesudstyr og værktøjer.** Hvis der ikke gøres det, kan det forårsage personskader.
- **Installer enheden forsvarligt på et sted, der kan bære vægten af den.** Hvis monteringsstedet ikke kan bære vægten af enheden, kan den falde ned med personskade til følge.
- **Elektrisk arbejde skal udføres af en autoriseret, erfaren elektriker i overensstemmelse med installationsvejledningen. Brug altid et specielt kredsløb. Slut ikke andre elektriske apparater til kredsløbet.** Hvis det elektriske kredsløbs kapacitet er utilstrækkeligt, eller det elektriske arbejde er ufuldstændigt, vil der være risiko for brand eller elektrisk stød.
- **Jordforbind enheden korrekt.** Forbind aldrig jordenheden til et gasrør, et vandrør, et lynafleder eller en telefons jordledning. Forkert jordtilslutning kan give årsag til elektrisk stød.
- **Undgå at beskadige ledningerne ved at udøve et for stort tryk på disse med dele eller skruer.** Beskadigede ledninger kan forårsage brand eller elektrisk stød.
- **Afbryd strømtilførslen, hvis der skal monteres PC-styrekort eller udføres ledningsarbejde på indendørsenheden.** Ellers kan det medføre elektrisk stød.
- **Brug de foreskrevne ledninger til at forbinde indendørsenheden og udendørsenheden, og sæt ledningerne godt fast på klempladens tilslutningssektioner, uden at de udøver tryk på sektionerne. Forlæng ikke ledningerne, og brug ikke forlængerledninger.** Ufuldstændig tilslutning og fastgørelse kan forårsage brand.
- **Installer ikke enheden på et sted, hvor der er siver brændbar gas ud.** Hvis gas siver ud i nærheden af enheden, kan der være risiko for eksplosion.
- **Brug ikke indirekte tilslutning af netledningen eller en forlængerledning, og undlad at tilslutte mange anordninger til samme vægkontakt.** Dette kan medføre risiko for brand eller elektrisk stød på grund af defekt kontakt, defekt isolation, overskridning af den tilladte spænding etc.
- **Brug de medfølgende dele eller specificerede dele til installationsarbejdet.** Anvendelse af defekte dele kan føre til personskade og/eller vandlækage forårsaget af brand, elektrisk stød eller at enheden falder ned etc.
- **Sørg for, at der ikke er støv, tilstopning eller løse dele i hverken stikkontakten eller på netstikket, når netstikket sættes i stikkontakten. Kontrollér, at strømforsyningsstikket er skubbet helt ind i stikkontakten.** Støv, tilstopning eller løse dele på strømforsyningsstikket eller i stikkontakten kan forårsage elektrisk stød eller brand. Udskift strømforsyningsstikket, hvis det har løse dele.
- **Monter dækslerne over de elektriske dele på indendørsenheden og servicepanelet på udendørsenheden forsvarligt.** Hvis disse dæksler ikke monteres forsvarligt, vil der være risiko for brand eller elektrisk stød pga. støv, vand o. lign.
- **Sørg for, at der ikke kommer nogen masse udover det angivne kølemiddel (R32/R410A) ind i kølemidlets kredsløb, når enheden installeres, oplaceres eller serviceres.** Tilstedeværelsen af fremmede substanser, f.eks. luft, kan forårsage unormal trykstigning og forårsage eksplosion eller tilskadekomst. Brug af andre kølemidler end det, der er specificeret for systemet, vil forårsage mekanisk fejl, systemfejl eller ødelæggelse af enheden. I værste fald kan det medføre en alvorlig reduktion af produktsikkerheden.
- **Enheden må ikke modificeres.** Det kan forårsage brand, elektrisk stød, personskade eller vandlækage.
- **Kølevæskens må ikke udledes i atmosfæren. Hvis der siver kølevæske ud under installation, skal rummet udluftes. Kontrollér, at der ikke siver kølemiddel ud, når installationen er færdig.** Hvis kølemiddel lækker og kommer i kontakt med ild eller varmeenheder som f.eks. en varmeblæser, petroleumsovn eller et komfur, dannes der skadelig gas. Sørg for ventilation i henhold til EN378-1.
- **Brug egnet værktøj og rørmateriale til installationen.** Trykket i R32/R410A er 1,6 gange højere end i R22. Hvis der ikke bruges egnet værktøj eller materialer, kan en ufuldstændig installation medføre, at rørene springer eller tilskadekomst.
- **Hvis der er en lækage i kølemiddelkredsløbet, må der ikke udføres en nedpumpning med kompressoren. Ved tømning af kølemiddel skal kompressoren stoppes, før kølerørene afmonteres.** Hvis kølerørene afmonteres, mens kompressoren kører, og stopventilen er åben, kan der trækkes luft ind, og trykket i kølesystemet blive unormalt højt. Dette kan få rørene til at springe eller medføre tilskadekomst.
- **Installer en fejlstrømsafbryder afhængig af installationsstedet.** Hvis der ikke er installeret jordtilslutningsafbryder, vil der være risiko for elektrisk stød.
- **Tilslut omhyggeligt rørene, før kompressoren startes, når enheden installeres.** Hvis kompressoren startes, før kølerørene er tilsluttet, og stopventilen er åben, kan der trækkes luft ind, og trykket i kølesystemet blive unormalt højt. Dette kan få rørene til at springe eller medføre tilskadekomst.
- **Monter en brystmøtrik med en momentnøgle som specificeret i denne manual.** Hvis en brystmøtrik spændes for stramt, kan den blive ødelagt efter en lang periode og forårsage lækage af kølemiddel.
- **Enheden skal installeres i overensstemmelse med internationale lovbestemmelser for elektrisk installation.**
- **Ved brug af en gasbrænder eller andet udstyr, der bruger ild, skal alt kølemiddel fjernes fra airconditionanlægget, og det skal sikres, at området er godt ventileret.** Hvis kølemidlet lækker og kommer i kontakt med ild eller varmeenheder, dannes der skadelig gas, og der opstår risiko for brand.
- **Forsøg ikke at fremskynde afrimningsprocessen eller at rengøre på andre måder end dem, der er anbefalet af producenten.**
- **Udstyret skal opbevares i et lokale uden kontinuerlige antændelseskilder (f.eks. åben ild, et tændt gasapparat eller et tændt, elektrisk varmeapparat).**
- **Må ikke gennembøres eller brændes.**
- **Vær opmærksom på, at kølemiddel muligvis ikke kan lugtes.**
- **Rørledninger skal beskyttes mod fysisk skade.**
- **Installation af rørledning skal være minimal.**
- **Nationale gasbestemmelser skal overholdes.**
- **Hold de nødvendige ventilationsåbninger fri for forhindringer.**
- **Hold gasbrændere, elektriske varmeapparater og andre brændkilder (antændelseskilder) væk fra det sted, hvor installation, reparation og andet arbejde på klimaanlægget udføres.**
- **Apparatet skal opbevares på et godt ventileret sted, hvor rumstørrelsen svarer til det rumareal, der er specificeret for drift.**
- **Du må ikke slå afbryderen FRA, bortset fra hvis der lugter brændt, eller når der udføres vedligeholdelse eller eftersyn.** Der vil ikke blive leveret strøm til kølemiddelsensoren, der er monteret i indendørsenheden, og sensoren kan så ikke registrere lækage af kølemiddel. Dette kan forårsage brand.
- **Fastgør tilslutningskablet omhyggeligt på det foreskrevne sted.** Forkert installation kan medføre elektrisk stød, brand og/eller fejlfunktion.

- **Udfør afløbs/rørforingsarbejde på korrekt vis i henhold til installationsmanualen.**
Hvis dette arbejde ikke udføres korrekt, kan der dryppe vand fra enheden og beskadige evt. artikler under enheden.
- **Rør ikke ved luftindtaget eller aluminiumlamel-lørne på udendørsenheden.**
Det kan forårsage tilskadecomt.
- **Bær beskyttelsesudstyr, når du rører bunden af udendørsenheden.**
Du kan komme til skade, hvis du ikke bærer beskyttelsesudstyr.
- **Installer ikke udendørsenheden, hvor der kan leve små dyr.**
Hvis små dyr trænger ind i og rører ved de elektriske dele inde i enheden, kan det forårsage fejlfunktion, røgemission eller brand. Instruér også brugerne om at holde området omkring enheden rent.
- **Anvend ikke airconditionanlægget under indendørs byggearbejde, renoivering eller voksbehandling af gulve.**
Før airconditionanlægget anvendes, skal rummet udluftes, når sådan arbejde er udført. Hvis der ikke udluftes, kan der komme fremmedlegemer i airconditionanlægget, hvilket kan medføre vandlækage eller spredning af kondens.
- **Installer ikke enheden et sted, der kan blive fyldt af røg, gas eller lægemidler.**
Kølemiddelsensoren, der er monteret i indendørsenheden, kan reagere på det og fejlagtigt vise lækage af kølemiddel.
- **Pas på blæserrotation, når afbryderen er slået TIL.**
Når kølemiddelsensoren registrerer lækage af kølemiddel, begynder blæseren at dreje automatisk. Det kan forårsage personskade.
- **Ved brug af spraydåser til indvendig indretning, overfladebehandling eller forsegling af at hul i væggen skal du slukke på afbryderen og lufte godt ud i rummet. Kølemiddelsensoren kan reagere på gassen i dåserne, og det kan forårsage fejlregistrering.**

1-2. VALG AF INSTALLATIONSSTED

Denne håndbog beskriver kun, hvordan indendørsenheden installeres.

Vedrørende installation af udendørsenheden henvises til installationshåndbogen for udendørsenheden.

INDENDØRSENHED

⚠ ⚠ ADVARSEL

Denne enhed skal installeres i rum, der er større end det gulvareal, der er angivet i installationsvejledningen til udendørsenheden.

- Se installationsvejledningen til udendørsenheden.

Følgende betingelser skal være opfyldt ved installation af indendørsenheder:

- Hvor luftstrømmen ikke blokeres.
- Hvor der spredes kølig (eller varm) luft i hele rummet.
- Solid væg uden vibrationer.
- Hvor den ikke udsættes for direkte sol. Det kan være nødvendigt at installere en forstærker til påvirkede apparat.
- Hvor afløb er problemfrit.
- Ikke nærmere end 1 m fra TV og radio. Betjeningen af airconditionanlægget kan påvirke radio- og TVmodtagelsen. Det kan være nødvendigt at installere en forstærker til påvirkede apparat.
- Så langt væk som muligt fra lysstofrør eller glødelamper. Så klimaanlægget kan styres normalt med den trådløse fjernbetjening. Varmen fra lamperne kan medføre deformitet, og det ultraviolette lys kan medføre forringelsen.
- Hvor luftfiltret nemt kan udskiftes.
- Hvor den er på afstand af andre varme- eller dampkilder.
- Installer ikke enheden i omgivelser, hvor der bruges gasudstyr til propan, butan eller metan, sprøjtemidler som insektgifte, malervarer, lægemidler og udstyr, der genererer røg, eller et sted, hvor der dannes svovlbaserede gasser.
- Kølemiddelsensoren, der er monteret i indendørsenheden, kan reagere på dem og fejlagtigt vise lækage af kølemiddel. Dette kan medføre, at enheden ikke fungerer.

FJERNBETJENING

Følgende er foretrukne betingelser ved opbevaring af en fjernbetjening:

- Hvor fjernbetjeningen er nem at anvende og synlig.
- Uden for børns rækkevidde.
- Vælg et sted ca. 1,2 m over gulvet. Kontrollér, at signalerne fra fjernbetjeningen kan modtages af indendørsenheden (et "bip" eller "bip-bip" høres).

Bemærk:

Det er ikke sikkert at signalet fra fjernbetjeningen kan modtages i et værelse med lysstofrør med cyklisk tændingsstabilisator, med høj spændingspuls eller pulserende oscillator.

Bemærk:

Undgå installering på følgende steder, hvor der nemt kan opstå problemer med klima-anlægget.

- Hvor der er risiko for udsivning af brændbar gas.
- Hvor der er meget maskinolie.
- Hvor olie spildes, eller hvor området er fyldt med olieholdig os eller røg (f.eks. madlavningsområder og fabrikker, hvor plastikegenskaberne kunne blive ændret og dermed beskadiget).
- Hvor salt forekommer, f.eks. i kystområder.
- Hvor der frembringes sulfidgas, f.eks. i områder med varme kilder, kloakvand, spildevand.
- Hvor der er højfrekvensapparater eller trådløse apparater.
- Hvor der er en emission af høje niveauer af VOC, inklusive phthalat-blandinger, formaldehyd, etc., som kan forårsage kemisk spaltning.
- Apparatet skal opbevares, så der ikke forekommer mekaniske skader.

Ved tilslutning til udendørsenheden, der bruger R32-kølemiddel, skal indendørsenheden installeres i et rum med et gulvareal på Amin eller mere, svarende til kølemiddel M (kølemiddel påfyldt af producenten + kølemiddel tilsat lokalt). Vedrørende mængden af kølemiddel og ekstra påfyldning henvises til udendørsenheden.

M [kg]	Amin [m ²]
1,00	Ingen krav
1,10	
1,20	
1,30	
1,40	
1,50	
1,60	
1,70	
1,80	
1,84	
1,90	3,75
2,00	3,95
2,10	4,15
2,20	4,34
2,30	4,54
2,40	4,74

Vedrørende kølemiddelfyldning henvises til installationshåndbogen for udendørsenheden.

1-3. SPECIFIKATIONER

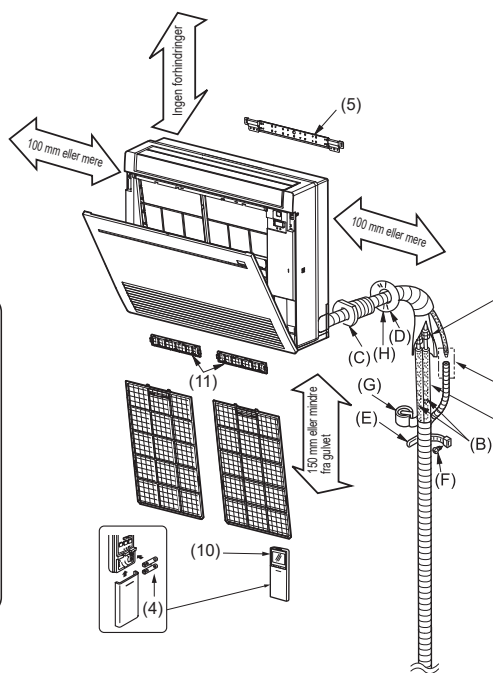
Model	Strømforsyning *1		Ledningspecifikationer *2	Rørtykkelse (tykkelse *3, *4, *5, *6)		Isolationstykkelse *7, *8
	Mærkespænding	Frekvens	Forbindelsesledning til indendørs-/udendørsenhed	Gas	Væske	
MFZ-KT25VG	230 V	50 Hz	4-trådet 2,0 mm ²	ø9,52 mm (0,8 mm)	ø6,35 mm (0,8 mm)	14 mm
MFZ-KT35VG						
MFZ-KT50VG				ø12,7 mm (0,8 mm)		
MFZ-KT60VG				ø15,88 mm (0,8 mm)		

- *1 Slut den til en stikkontakt, som har et mellemrum på 3 mm eller mere i åben tilstand, for at afbryde strømmen. (Når der er slukket for kontakten, skal alle poler være afbrudt.)
- *2 Brug ledninger i overensstemmelse med design 60245 IEC 57.
- *3 Brug aldrig rør med en tykkelse, der er mindre end den angivne. Trykstyrken er ikke tilstrækkelig.
- *4 Brug et kobberrør eller et sømløst rør af kobberlegering.
- *5 Pas på ikke at klemme røret sammen eller bukke det i rørbøjningen.
- *6 Bøjningsradius for røret til kølevæske skal være 100 mm eller større.
- *7 Isolationsmateriale: Varmeresistent skumplast, vægtfylde 0,045
- *8 Husk at anvende isolering af den foreskrevne tykkelse. For tykt isoleringsmateriale forhindrer korrekt installation af indendørsenheden, og for tyndt isoleringsmateriale skaber kondens.

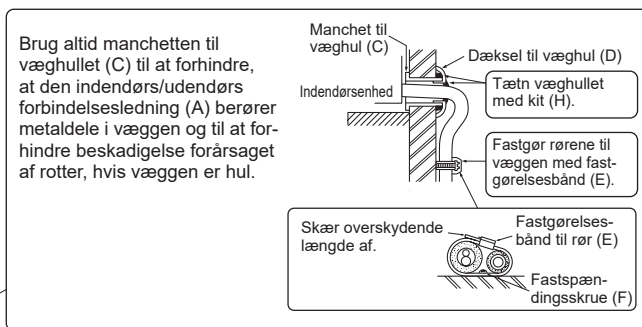
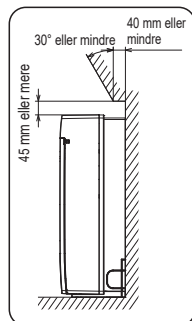
1-4. INSTALLATIONS DIAGRAM

Ved installation af udendørsenheder henvises til installationsvejledningen til udendørsenheden.

Tabellen med rørspecifikationer indeholder ikke minimumslængde for lednings-sæt.
 Indendørsenheder med forbundne rørlængder på mindre end 3 m kan dog afgive periodisk støj under normal systemdrift i meget stille miljøer.
 Tag højde for disse vigtige oplysninger, når du installerer og placerer indendørsenheden i det klimatiserede område.



Forhindringer over
 Det er muligt at installere en forhindring i følgende område.



Brug altid manchetten til væghullet (C) til at forhindre, at den indendørs/udendørs forbindelsesledning (A) berører metaldele i væggen og til at forhindre beskadigelse forårsaget af rotter, hvis væggen er hul.

Efter lækagetesten påføres isolationsmaterialet tætsiddende, således at der ikke er noget mellemrum.

Dæk tilslutningssektionen med tape for at forhindre vandlækage.

Hvis rørene skal installeres på en væg, der indeholder metal (tinplader) eller metalvæv, skal der anvendes et kemisk behandlet stykke træ, der er 20 mm eller tykkere, mellem væggen og rørene, eller der skal vikles vinylbånd som isolation omkring rørene. For at kunne bruge den eksisterende rørføring skal funktionen COOL (afkøling) køre i 30 minutter med nedpumpning, før det gamle klima-læg fjernes. Genetabler opkravningen i overensstemmelse med målet for det nye kølemiddel.

⚠️ ⚠️ ADVARSEL
 For at undgå brandrisiko skal kølerørene indlejres eller beskyttes. Ekstern skade på kølerørene kan være årsag til brand.

Klima-lægget skal monteres af en autoriseret fagmand i henhold til de lokale bestemmelser.

TILBEHØR

Kontroller følgende dele før installation.

(1) Afløbslange*	1
(2) Røraftdækning	1
(3) Bånd	2
(4) Batteri (AAA) til (10)	2
(5) Monteringsbeslag til indendørsenhed	1
(6) Fastgøringsskrue til (5) 4 x 25 mm	5
(7) Træskruer til fastgøring af indendørsenhed	4
(8) Skive til (7)	4
(9) Filttape (bruges til rørføring til venstre eller bagpå til venstre)	1
(10) Trådløs fjernbetjening	1
(11) Luftrensningsfilter	2
(12) Forbindelsesrør (Kun KT60)	1
(13) Røraftdækning til forbindelsesrør (Kun KT60)	1
(14) Afbrydelsesskilt	1
(15) Afbrydelsesmeddelelse	1

* Bemærk:
 Afløbslangen er sluttet til enheden.

DELE, DER SKAL VÆRE TIL RÅDIGHED PÅ INSTALLATIONSSTEDET

(A) Forbindelsesledning til indendørs/udendørsenhed*	1
(B) Forlængerrør	1
(C) Manchet til væghul	1
(D) Dæksel til væghul	1
(E) Fastgørelsesbånd til rør	2 - 5
(F) Fastspændingsskrue til (E) 4 x 20 mm	2 - 5
(G) Rørtape	1
(H) Kit	1
(J) Afløbslange (eller blød PVC-slange, 15 mm indvendig diameter eller hårdt PVC-rør VP16)	1 eller 2
(K) Strømforsyningskabel*	1
(L) Bånd (kun Wi-Fi-interfaceforbindelse)	2

* Bemærk:
 Placer forbindelsesledningen til indendørs-/udendørsenheden (A) og strømforsyningskablet (K) med mindst 1 m afstand til TV-antennens kabel.

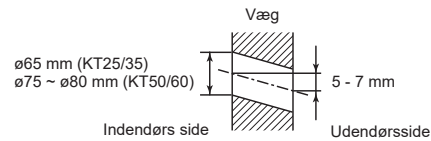
2. INSTALLATION AF INDENDØRSENHED

2-1. FASTGØRELSE AF INDENDØRSENHEDENS MONTERINGSBESLAG

- Installer ikke indendørsenheden et sted, der er højere end 150 mm.
- Find et strukturelt materiale (som f.eks. en stolpe) i væggen, og fastgør beslaget (5) i vandret stilling med fastspændingsskruerne (6).
- For at forhindre at beslaget (5) vibrerer, skal fastspændingsskruerne monteres i de huller, der er angivet på illustrationen. Der kan også sættes skruer i de andre huller for ekstra støtte.

2-2. BORING AF HUL

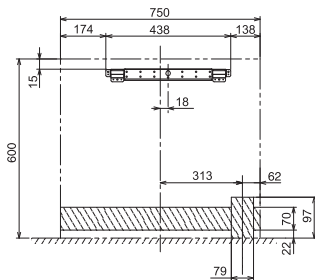
- 1) Vælg væghullets placering.
- 2) Bør et hul med en diameter på 65 mm (dia. 75 ~ 80 mm for KT50/60). Uden-dørssiden skal være 5-7 mm lavere end indendørssiden.
- 3) Monter manchetten til væghullet (C).



HULPOSITIONER

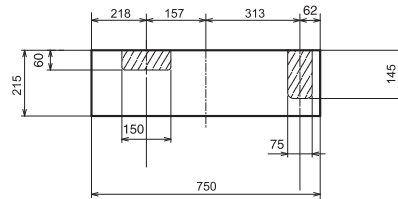
TIL RØRFØRING BAGPÅ ELLER BAGPÅ TIL VENSTRE

(I følgende figur er indendørsenhedens installationssted vist set forfra.)

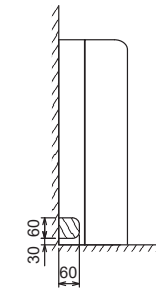


TIL RØRFØRING TIL HØJRE NEDAD ELLER TIL VENSTRE NEDAD

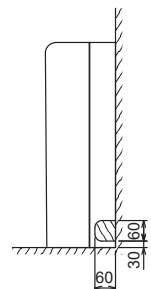
(I følgende figur er bunden af indendørsenheden vist set ovenfra.)



TIL RØRFØRING TIL VENSTRE



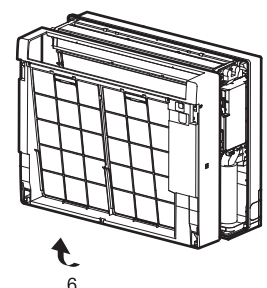
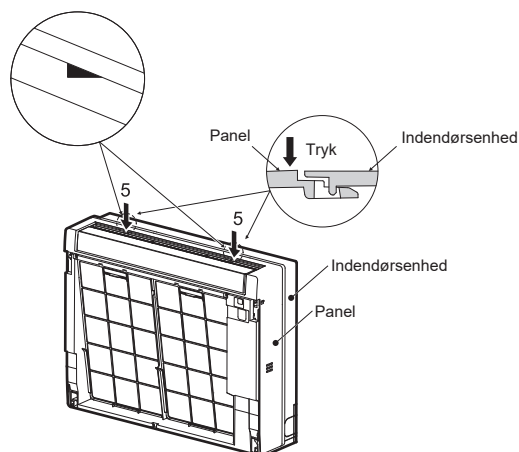
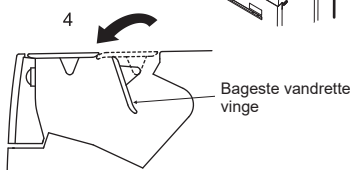
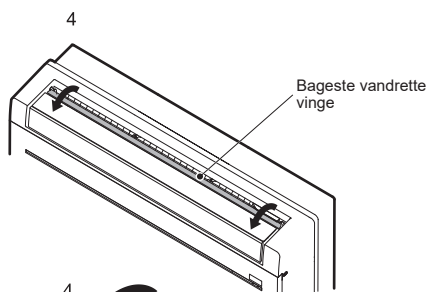
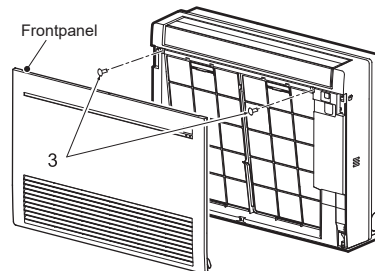
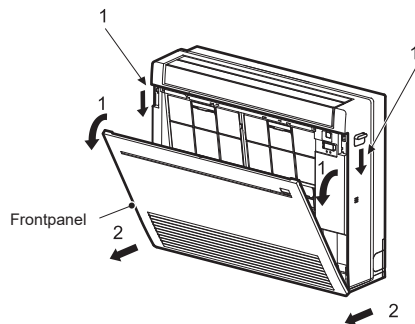
TIL RØRFØRING TIL HØJRE



2-3. KLARGØRING AF INDENDØRSENHED

Fjern indendørsenhedens frontpanel.

- 1) Tryk ned på tappen på begge sider af enheden for at åbne frontpanelet.
- 2) Træk frontpanelet mod dig for at fjerne det.
- 3) Fjern de 2 skruer.
- 4) Åbn den bagerste vandrette vinge.
- 5) Tryk på de 2 steder øverst på frontpanelet, og træk den øverste del af frontpanelet mod dig selv.
- 6) Fjern frontpanelet ved at løfte en smule op i det.



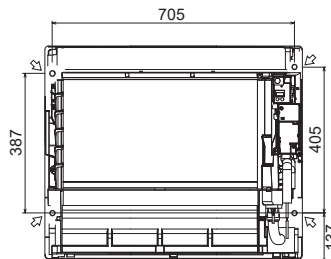
2-4. INSTALLATION AF DEN INDENDØRS ENHED

2-4-1. MONTERING AF INDENDØRSENHEDEN PÅ GULVET

- 1) Placér indendørsenheden på det flade gulv.
- 2) Montér indendørsenheden fire steder vha. de medfølgende træskruer (7) og spændeskiver (8). Spænd skruerne sikkert til.

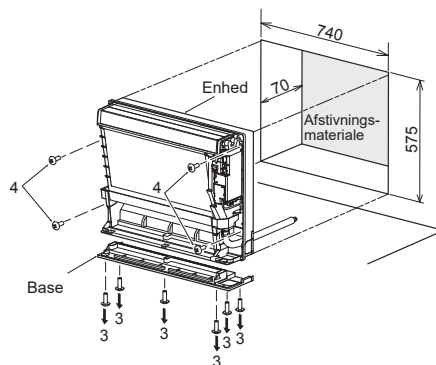
2-4-2. MONTERING AF INDENDØRSENHEDEN PÅ VÆGGEN

- 1) Hægt toppen af indendørsenheden på monteringsbeslaget til indendørsenheden (5).
- 2) Montér indendørsenheden fire steder vha. de medfølgende træskruer (7) og spændeskiver (8). Spænd skruerne sikkert til.



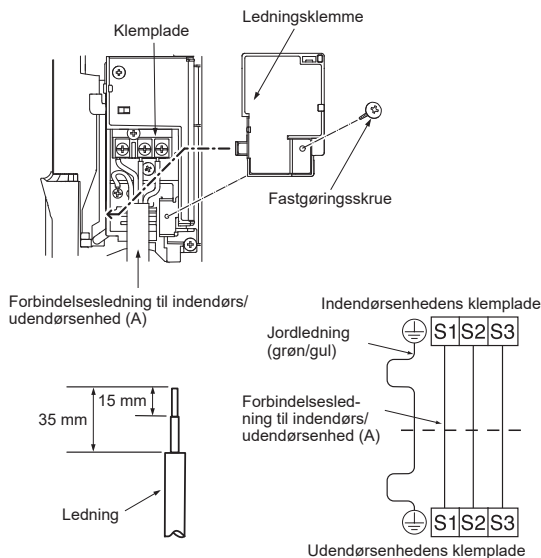
2-4-3. INDBYGNING AF INDENDØRSENHED I EN VÆG

- 1) Lav et hul i væggen.
- 2) Justér dybden med afstivningsmateriale.
- 3) Fjern de 6 skruer, der holder basen fast på enheden. Afmontér basen fra enheden.
- 4) Montér indendørsenheden fire steder vha. de medfølgende træskruer (7) og spændeskiver (8). Spænd skruerne sikkert til.



2-5. TILSLUTNING AF LEDNINGER TIL INDENDØRSENHED

- 1) Fjern ledningsklemmen.
- 2) Før forbindelsesledningen til indendørs-/udendørsenheden (A) fra bagsiden af indendørsenheden, og forbered ledningens ende.
- 3) Løs klemmskruen, og tilslut først jordledningen, og dernæst forbindelsesledningen til indendørs-/udendørsenheden (A) til klempladen. Vær omhyggelig, så ledningsføringen ikke udføres forkert. Fastgør ledningen på klempladen, således at intet af kabelkernen er synligt, og der ikke tilføres nogen ekstern kraft til klempladens forbindelsesdel.
- 4) Stram klemmskruerne godt til for at forhindre, at de løses. Træk til sidst forsigtigt i ledningerne for at bekræfte, at de ikke går løs.
- 5) Fastgør indendørs-/udendørsenhedens forbindelsesledning (A) og jordledningen med ledningsklemmen. Undlad aldrig at fastgøre ledningsklemmens venstre krog. Fastgør omhyggeligt ledningsklemmen.



- Gør jordledningen lidt længere end de andre. (Længere end 45 mm)
- Lad ikke forbindelsesledningerne være for korte. Det gør vedligeholdelsen nemmere.
- Buk ikke overskydende ledning, og stuv den ikke på for lidt plads. Pas på ikke at beskadige ledningerne.
- Sørg for at fastgøre hver skrue til den tilsvarende klemme, når kablet og/eller ledningen fastgøres på klempladen.

⚠ ADVARSEL

Tilslut omhyggeligt rørene, før kompressoren startes, når enheden installeres.

2-6. RØRFORMNING OG INSTALLATION

Bemærk: Se 3. OPKRAVNINGSTILSLUTNING, RØRTILSLUTNING.

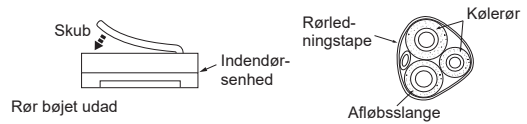
Rørlægning

- Før afløbsslangen diagonalt under rørforbindelserne.
- Sørg for, at afløbsslangen ikke føres opad, og at der ikke er nogen bølger i slangen.
- Du må ikke trække i afløbsslangen. Pak afløbsslangen ind i tape.
- Udfør rørføringen, så den ikke stikker længere ud end indendørsenhedens bagside. (Se figuren til højre).

Installation af rørforbindelser

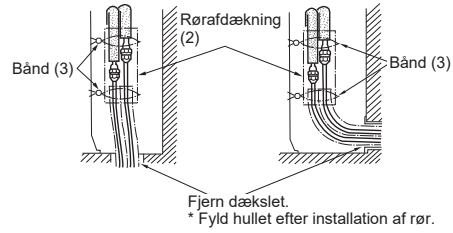
- Installer rørforbindelserne, så rørene kan bevæge sig lidt frem, tilbage, til højre og til venstre.
- Når dækslet fjernes, skal du dække rørene, så de ikke er blottaget efter installation.
- Fyld hullet efter installation af rør.

- Sørg for at isolere de forbindende rør, så de ikke kommer i kontakt med panelet.
- Pas på, at du ikke kommer til at klemme rørforbindelserne sammen, når du bøjer dem.



HØJRE NEDADGÅENDE RØRFØRING

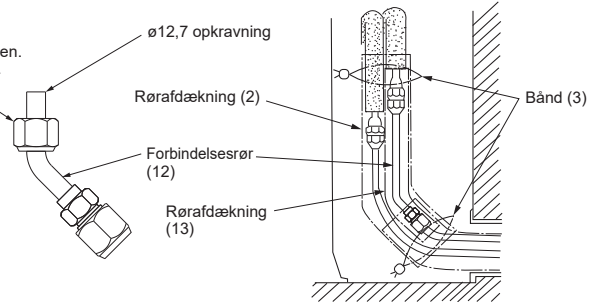
ANDEN RØRFØRING



Til MFZ-KT60

- Sørg for at bruge forbindelsesrøret (12), da forlængerrøret på $\phi 15,88$ ellers ikke kan sættes fast.
- Udvid forbindelsesrøret (12) til $\phi 12,7$, og monter rørfafdækningen (13).

Brug brystmatrikken, der er monteret på enheden. Vær opmærksom på at vende matrikken rigtigt.



TIL RØRFØRING TIL VENSTRE ELLER BAGPÅ TIL VENSTRE

Saml rørforbindelserne og afløbsslangen, og pak filltape (9) omkring.

Tilskær og brug de nedre sidepaneler på indendørsenhedens venstre og højre side som vist nedenfor.

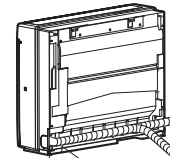
Glat skærekantene på sidepanelerne, så de ikke beskadiger isoleringen.

- Til rørføring til venstre eller til højre
- Montering ret mod væg med fodpaneler

Pak filltappen (9) stramt omkring rørene og slangen. Start ved det sted, hvor rørene og slangen føres fra indendørsenheden. (Overlappet på filltappen (9) må ikke være mere end 1/2 tapebredde).



Tilskær og anvend sidepanelerne, så de svarer til fodpanelets højde.



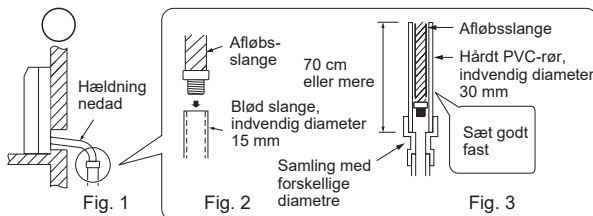
Start med at pakke rørtæppen (G) omkring rørene og slangen 10 mm inde i indendørsenheden.

Fastgør filltappens ende (9) med en bandageafslutning.

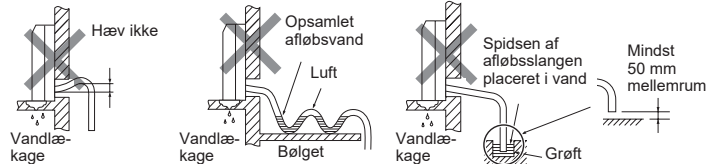
Sørg for, at afløbsslangen ikke føres opad.

2-7. AFLØBSRØRFØRING

- Sørg for at omvikle afløbsslangen med isolerbånd (kan fås i handelen), hvis den skal gå gennem et værelse.
- Afløbsslangen skal pege nedad, så afløbet kan foregå problemfrit. (Fig. 1)
- Hvis indendørsenhedens medleverede afløbsslange er for kort, skal den tilsluttes den afløbsslange (J), som skal være tilgængelig på installationsstedet. (Fig. 2)
- Brug tape eller et andet materiale til at forsegle forbindelsen mellem produktets afløbsslange og forlænger afløbsslangen (16 mm indvendig diameter) (J).
- Når afløbsslangen forbindes til røret af hård PVC, skal den sættes godt fast i røret. (Fig. 3)

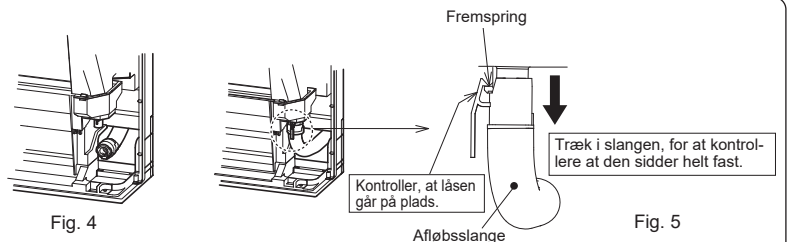


Monter ikke afløbsslanger som vist nedenfor.



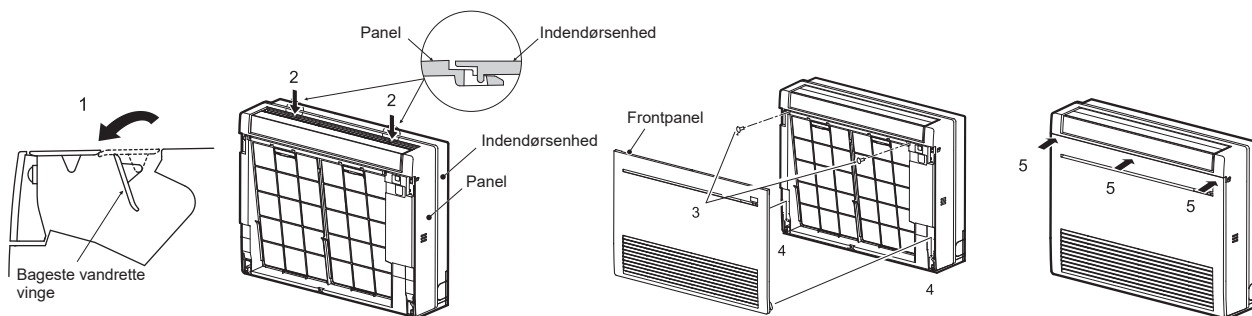
Afløbsslangen fjernes ved installation.

- Når afløbsrørføringen udføres, skal du sikre dig, at afløbsslangen (1) føres som vist. (Fig. 4)
- Sæt afløbsslangen helt ind i bunden af afløbsskålen (endeforbindelse). (Fig. 5)
- Kontroller, at afløbsslangen opfanges sikkert på fremspringet i hullet i afløbsskålen.
- Træk i afløbsslangen efter tilslutning, for at kontrollere at den sidder helt fast.



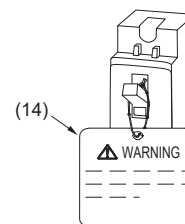
2-8. INSTALLATION AF FRONTPANEL

- 1) Åbn den bagerste vandrette vinge.
- 2) Montér panelet. Sørg for, at låsene er aktiverede.
- 3) Fastspænd panelet med skruerne.
- 4) Indsæt den nederste del af frontpanelet.
- 5) Tryk 3 steder på den øvre del af frontpanelet for at lukke det.



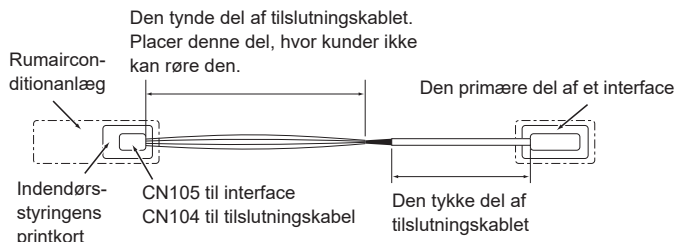
2-9. SÅDAN PÅSÆTTES SKILTET OG FORKLARINGEN

Afbyreren skal altid være slået TIL, undtagen når der udføres vedligeholdelse eller eftersyn. Hæng det medfølgende skilt (14) eller (15) på afbyreren, og forklar det for kunderne. Når du slår afbyreren FRA, leveres der ikke strøm til kølemiddelsenso- ren, der er monteret i indendørsenheden, og lækage af kølemiddel kan ikke registreres. Bemærk: Når indendørs- og udendørsenheden har separate strømkabler, skal det medfølgende skilt (14) eller (15) hænges på afbyreren til indendørsenheden og forklares for kunderne.

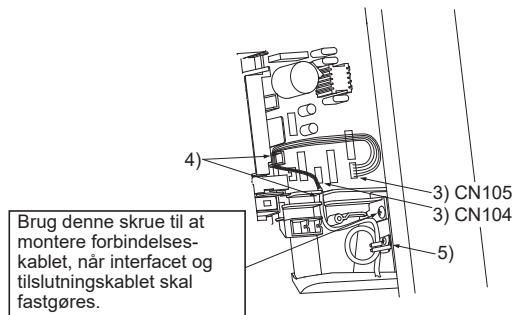


2-10. TILSLUTNING AF ET INTERFACE (tilvalg)/TILSLUTNINGSKABEL (tilvalg) TIL AIRCONDITIONANLÆGGET

- Forbind et interface/tilslutningskabel med printkortet på et aircondition- anlægs indendørsstyring med et forbindelseskabel.
- Hvis forbindelseskablet for interface/tilslutningskablet afkortes eller forlænges, medfører det fejl i tilslutningen. Læg ikke tilslutningskablet sammen med strømforsyningsledningen, indendørs-/udendørsenhedens tilslutningsledning og/eller jordledning. Hold så stor afstand som muligt mellem tilslutningskablet og disse ledninger.
- Den tynde del af tilslutningskablet skal placeres, hvor kunder ikke kan røre det.



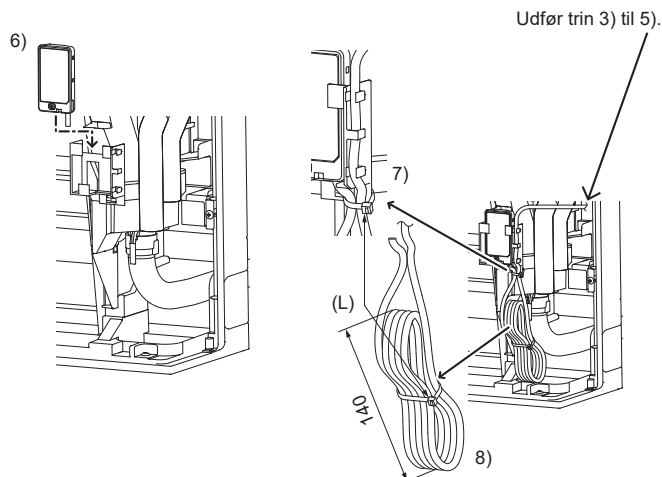
- 1) Afmontér panelet.
- 2) Åbn dækslet på indendørsstyrings printkort.
- 3) Slut forbindelseskablet til CN105 og/eller CN104 på indendørsstyrings printkort.
- 4) Før tilslutningskablet gennem dette punkt i illustrationen.
- 5) Montér kabelklemmen, der følger med interface/tilslutningskablet, på den tykke del af forbindelseskablet med en skrue 4 × 16 som vist i illustrationen.
- 6) Luk dækslet på indendørsstyrings printkort. Pas på, at den tynde del af tilslutningskablet ikke kommer i klemme under dækslet. Montér panelet igen.



Bemærk:

Ved tilslutning af Wi-Fi-interface (ekstraudstyr) Installer interface i holderen som vist i illustrationen. Juster længden på kablet, og bind det sammen som vist i illustrationen.

- 1) Fjern panelet.
- 2) Åbn dækslet på indendørsstyrings printkort.
- 3) Slut tilslutningskablet til CN105 på indendørsstyrings printkort.
- 4) Før tilslutningskablet gennem dette punkt i illustrationen.
- 5) Montér kabelklemmen, der følger med interface/tilslutningskablet, på den tykke del af forbindelseskablet med en skrue 4 × 16 som vist i illustrationen.
- 6) Sæt Wi-Fi-interface i holderen.
- 7) Sæt forbindelseskablet i holderen, og fastgør det derefter med båndet (L).
- 8) Saml overskydende kabel med båndet (L). Den rullede del skal være ca. 140 mm.
- 9) Luk dækslet over indendørsstyrings printkort. Pas på, at den tynde del af tilslutningskablet ikke kommer i klemme under dækslet. Montér panelet igen.



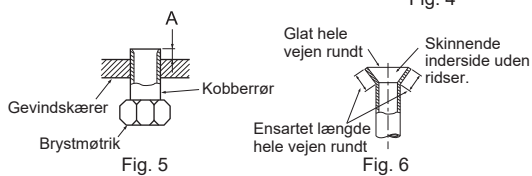
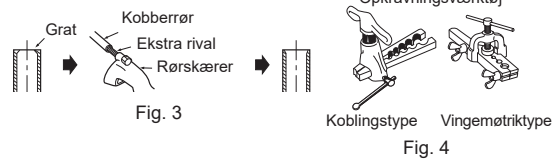
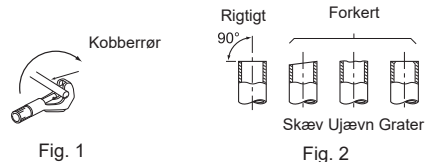
⚠ ADVARSEL

Fastgør tilslutningskablet omhyggeligt på det foreskrevne sted. Forkert installation kan medføre elektrisk stød, brand og/eller fejlfunktion.

3. OPKRVNINGSTILSLUTNING, RØRTILSLUTNING

3-1. OPKRVNING SARBEJDE

- 1) Skær kobberrøret på korrekt vis med en rørskærer. (Fig. 1, 2)
- 2) Fjern alle grater helt fra tværsnittet af røret. (Fig. 3)
 - Ret enden af kobberrøret nedad, når der fjernes grater, således at disse ikke falder ned i kobberrøret.
- 3) Fjern brystmøtrikkerne, der sidder på indendørs- og udendørsenheden, og sæt dem på røret, når graterne er fjernet (De kan ikke sættes på efter udført opkravningsarbejde)
- 4) Opkravningsarbejde (Fig. 4, 5). Hold kobberrøret i den størrelse, der er vist i skemaet. Vælg A (mm) fra skemaet i henhold til det værktøj, du benytter.
- 5) Kontrollér
 - Sammenlign opkravningsarbejdet med Fig. 6.
 - Hvis opkravningsarbejdet ser ud til at være forkert, skal den opkravede sektion skæres af, og arbejdet skal udføres forfra.



Rørdiameter (mm)	Møtrik (mm)	A (mm)			Spændingsmoment	
		Værktøj af koblingstypen til R32, R410A	Værktøj af koblingstypen til R22	Værktøj af fløj møtrikstypen til R22	N·m	kgf·cm
ø6,35 (1/4")	17	0 - 0,5	1,0 - 1,5	1,5 - 2,0	14 - 18	140 - 180
ø9,52 (3/8")	22			2,0 - 2,5	34 - 42	340 - 420
ø12,7 (1/2")	26			-	49 - 61	490 - 610
ø15,88 (5/8")	29			-	68 - 82	680 - 820

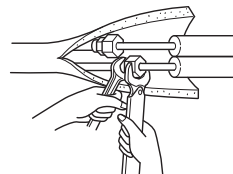
3-2. RØRFORBINDELSE

- Tilspænd en brystmøtrik med en momentnøgle som specificeret i skemaet.
- Hvis en brystmøtrik spændes for stramt, kan den gå i stykker efter længere tid og forårsage lækage af kølemiddel.
- Der skal altid vikles isolering omkring rørene. Direkte kontakt med blotlagte rør kan medføre forbrænding eller forfrysning.

Tilslutning af indendørsenheden

Tilslut både væske- og gasrør til indendørsenheden.

- Påfør ikke køleolie på skruegevind. Et for stort tilspændingsmoment vil medføre beskadigelse af skruen.
- Ved tilslutning rettes midten først ind, hvorefter brystmøtrikken drejes 3-4 omgange med håndkraft.
- Brug oversigten over tilspændingsmomenter herover som en rettesnor for indendørsenhedens rørskrumning, og stram til med to nøgler. For kraftig stramning vil beskadige opkravningssektionen.



⚠ ADVARSEL

Tilslut omhyggeligt rørene, før kompressoren startes, når enheden installeres.

⚠ ADVARSEL

Genanvendelige mekaniske forbindelser og opkravningsled er ikke tilladt inden døre. Når kølerør tilsluttes med lodning frem for opkravningsled, skal alt lodning færdiggøres, før du forbinder indendørsenheden med udendørsenheden.

4. TESTKØRSEL

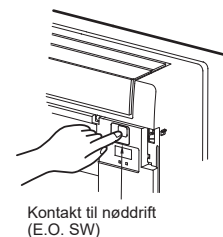
4-1. TESTKØRSEL

Kontroller, at følgende er udført.

- Panelet er installeret korrekt.
 - Indendørs- og udendørsenhederne er installeret korrekt og forsynes med strøm.
- 1) Tryk én gang på E.O. SW for COOL og to gange for HEAT. Testkørslen udføres i 30 minutter. Kontrollér, at indendørs-/udendørsenhedens forbindelsesledning (A) er korrekt tilsluttet, hvis den venstre lampe i driftsindikatoren blinker hvert halve sekund. Efter testkørslen starter nøddrift (indstillet temperatur 24°C).
 - 2) For at standse driften trykkes på E.O. SW flere gange, indtil alle lysdioder slukker. Se brugsanvisningen for yderligere oplysninger.

Kontrol af modtagning af signalet (infrarøde stråler) fra fjernbetjeningen

- Tryk på ON/OFF-knappen på fjernbetjeningen (10), og kontrollér, at der lyder en elektronisk lyd fra indendørsenheden. Tryk på ON/OFF-knappen igen for at slukke klimaanlægget.
- Når kompressoren stopper, aktiveres genstartsbløkeren, og kompressoren virker ikke i 3 minutter for at beskytte klimaanlægget.



4-2. AUTO-GENSTARTSFUNKTION

Dette produkt er udstyret med en automatisk genstartsfunktion. Når strømtilførslen stopper under drift, som for eksempel ved strømafbrydelse, starter funktionen automatisk driften i den tidligere indstilling, når strømmen er kommet tilbage. (Se brugsanvisningen for yderligere oplysninger.)

Vigtigt:

- Efter testkørsel eller kontrol af fjernsignalmottagelse skal der slukkes for enheden med E.O. SW eller fjernbetjeningen, før der slukkes for strømforsyningen. Hvis dette undlades, vil enheden starte driften automatisk, når strømforsyningen slås til igen.

Til brugeren

- Efter installation af enheden skal brugeren have den automatiske genstartsfunktion forklaret.
- Hvis den automatiske genstartsfunktion ikke er nødvendig, kan den deaktiveres. Spørg servicerepræsentanten til råds om deaktivering af funktionen. Se servicehåndbogen for yderligere oplysninger.

4-3. FORKLARING TIL BRUGER

- Benyt BRUGSANVISNINGEN, og forklar brugeren, hvordan klimaanlægget skal benyttes (hvordan fjernbetjeningen benyttes, hvordan luftfiltrene fjernes, hvordan fjernbetjeningen tages ud eller sættes i fjernbetjeningsholderen, hvordan rengøring udføres, forholdsregler ved drift osv.)
- Anbefal brugeren at læse BRUGSANVISNINGEN grundigt.

5. TØMNING

Se procedurerne i udendørsenhedens installationshåndbog.

⚠ ADVARSEL

Hvis der er en lækage i kølemiddelkredsløbet, må der ikke udføres en nedpumpning med kompressoren. Ved tømning af kølemiddel skal kompressoren stoppes, før kølerørene afmonteres. Kompressoren kan revne, hvis der kommer luft eller lignende ind i den.

INNEHÅLL

1. FÖRE INSTALLATION.....	1
2. INSTALLATION AV INOMHUSENHET	4
3. FLÄNSANSLUTNING, RÖRANSLUTNING	8
4. TESTKÖRNING	8
5. URPUMPNING	9

Modellnamn anges i 1-3.





Denna installationsanvisning gäller endast inomhusenheten. Se utomhusenhetens installationsmanual för inställning av utomhusenheter.

Verktyg som krävs för installation

Phillips skruvmejsel	Flänsverktyg för R32, R410A
Vattenpass	Manometer med förgreningsrör för R32, R410A
Måtticka	Vakuumump för R32, R410A
Kniv eller sax	Påfyllnings slang för R32, R410A
75 mm hålsåg	Rörledningskapare med brotsch
Momentnyckel	Vattenflaska
Skiftnyckel (eller blocknyckel)	0,9 till 1,0 l vatten

1. FÖRE INSTALLATION

FÖRKLARING TILL DE SYMBOLER SOM VISAS PÅ INOMHUS- OCH/ELLER UTMOMHUSENHETEN

	VARNING (Brandrisk)	Den här enheten använder ett brandfarligt köldmedium. Om köldmediet läcker ut och kommer i kontakt med eld eller uppvärmningskomponenterna kommer det att bildas en farlig gas och brandrisk föreligger.
		Läs BRUKSANVISNINGEN noggrant innan användning.
		Servicepersonal måste läsa BRUKSANVISNINGEN och INSTALLATIONSMANUALEN noggrant innan användning.
		Mer information finns i BRUKSANVISNINGEN, INSTALLATIONSMANUALEN och liknande.

1-1. FÖLJANDE SKALL ALLTID IAKTTAS AV SÄKERHETSSKÅL

- Var noga med att läsa "FÖLJANDE SKALL ALLTID IAKTTAS AV SÄKERHETSSKÅL" före installation av luftkonditioneraren.
- Var noga med att iaktta de varningar och försiktighetsföreskrifter som anges här eftersom de innehåller viktig information rörande säkerheten.
- När du har läst denna anvisning ska du förvara den tillsammans med BRUKSANVISNINGEN för framtida referens.

⚠ VARNING (Kan leda till dödsfall, allvarliga personskador, o.s.v.)

- **Installera inte enheten själv (kunden).** En ofullständig installation kan orsaka brand, elektriska stötar, skador på grund av att enheten faller eller vattenläckage. Rådfråga den återförsäljare som sålde enheten eller en behörig installatör.
- **Utför installationen på ett säkert sätt enligt installationsanvisningen.** En ofullständig installation kan orsaka brand, elektriska stötar, skador på grund av att enheten faller eller vattenläckage.
- **Använd lämplig skyddsutrustning och verktyg när enheten installeras.** Du kan skadas om du inte följer dessa anvisningar.
- **Installera enheten på ett säkert sätt på ett ställe som klarar enhetens tyngd.** Om installationsstället inte klarar av enhetens vikt kan enheten falla och orsaka skador.
- **Elektriska arbeten ska utföras av en kvalificerad och erfaren elektriker i enlighet med installationsanvisningarna. Kom ihåg att använda en särskild krets. Anslut inte andra elektriska anordningar till kretsen.** Om spänningskapaciteten är otillräcklig eller elarbetena ofullständiga, kan detta orsaka brand eller elektriska stötar.
- **Jorda enheten korrekt.** Anslut inte jordledningen till ett gasrör, vattenrör, en åskledare eller till telefonens jordledning. Felaktig jordning kan ge upphov till elektriska stötar.
- **Skada inte kablarna genom att trycka överdrivet hårt på dem med delar eller skruvar.** Skadade ledningar kan leda till brand eller elektriska stötar.
- **Var noga med att slå av huvudströmmen om du skall installera inomhuskretskortet, liksom vid ledningsdragnin.** I annat fall kan du få en elektrisk stöt.
- **Använd de angivna kablarna för att ansluta inomhus- och utomhusenheten på ett säkert sätt och fäst kablarna ordentligt i kopplingsplinten så att kablarna blir dragavlastade. Förläng inte ledningar och använd inte mellanliggande anslutningar.** Ofullständig anslutning och fästning kan orsaka brand.
- **Installera inte enheten på en plats där lättantändlig gas kan läcka ut.** Om gas läcker ut och ansamlas runt enheten, kan detta orsaka en explosion.
- **Använd ej mellankoppling för nätsladd eller förlängningsladd och anslut inte flera enheter till ett och samma vägguttag.** Detta kan orsaka brand eller elektriska stötar på grund av dålig kontakt, dålig isolering, att tillåten ström överskrids o.s.v.
- **Använd endast medföljande eller specifikt angivna delar vid installationen.** Om du använder felaktiga delar kan det orsaka personskada eller vattenläckage på grund av brand, elektriska stötar, att enheten faller o.s.v.
- **När du sätter i väggkontakten ska du se till att varken uttag eller kontakt innehåller damm eller lösa delar, eller är igentäppta. Kontrollera att väggkontakten sitter ordentligt inskjuten i uttaget.** Kontakt eller uttag som innehåller damm eller lösa delar eller är igentäppta kan orsaka elstötar eller brand. Om du hittar lösa delar på kontakten ska du byta den.
- **Fäst skyddet över de elektriska delarna på inomhusenheten och servicepanelen på utomhusenheten ordentligt.** Om skyddet över de elektriska delarna på inomhusenheten och/eller servicepanelen på utomhusenheten inte fästs ordentligt, kan detta orsaka brand eller elektriska stötar på grund av damm, vatten o.s.v.
- **Vid installation, flytt eller service av enheten, säkerställ att inget annat ämne än det specificerade köldmediet (R32/R410A) kommer in i kylledningarna.** Närvaron av en främmande substans som t.ex. luft kan orsaka en onormal tryckökning och leda till explosion eller skador. Användning av något annat köldmedium är det som anges för systemet kan ge upphov till mekanisk skada, fel i systemet eller att systemet slutar fungera. I värsta fall kan de leda till allvarliga problem med att säkerställa produktens säkerhet.
- **Modifiera inte enheten.** Det kan orsaka brand, elektriska stötar, skador eller vattenläckor.
- **Släpp inte ut köldmedium i atmosfären. Om köldmedium läcker ut under installationen skall rummet vädras ut. Kontrollera att köldmediet inte läcker ut efter att installationen har slutförts.** Om köldmediet läcker ut och kommer i kontakt med eld eller uppvärmningskomponenter på till exempel en fläktförvärmare, fotogenkamin eller spis kommer det att bildas en farlig gas. Tillhandahåll ventilation i enlighet med EN378-1.
- **Använd lämpliga verktyg och rörledningsmaterial vid installation.** Trycket i R32/R410A är 1,6 gånger högre än i R22. Fel verktyg eller material och ofullständig installation kan leda till brustna rörledningar eller skador.
- **Samla inte upp kylmedel via kompressorn om det finns en läcka i kylmedelskretsen. Vid utpumpning av köldmedium ska kompressorn stoppas innan kylningsrören kopplas bort.** Om kylningsrören kopplas bort medan kompressorn är igång och spärrventilen är öppen kan luft komma in, och trycket i kylningscykeln kan bli onormalt högt. Detta kan leda till brustna rörledningar eller skador.
- **Installera en jordfelsbrytare beroende på var enheten installeras.** Om en jordfelsbrytare inte monteras föreligger risk för elektriska stötar.
- **Vid installation av enheten ska kylningsrören anslutas ordentligt innan kompressorn startas.** Om kompressorn startas innan kylningsrören anslutits och medan spärrventilen är öppen kan luft komma in, och trycket i kylningscykeln kan bli onormalt högt. Detta kan leda till brustna rörledningar eller skador.
- **Flänsmuttrar ska dras åt med momentnyckel i enlighet med denna anvisning.** Om den dras åt för hårt, kan flänsmuttern gå sönder efter lång tid och orsaka läckage av köldmedium.
- **Enheten ska installeras i enlighet med nationella bestämmelser rörande ledningsdragnin.**
- **När du använder en gasbrännare eller annan utrustning som frambringar en låga, ska allt köldmedium helt avlägsnas från luftkonditioneringen och området ska ventileras väl.** Om köldmediet läcker ut och kommer i kontakt med eld eller uppvärmningskomponenterna kommer det att bildas en farlig gas och brandrisk föreligger.
- **Försök inte accelerera avfrostningsförloppet eller rengöra på något annat sätt än de som rekommenderas av tillverkaren.**
- **Utrustningen ska förvaras i ett rum utan användningskällor som är i kontinuerlig drift (till exempel: öppen låga, gasanordningar eller elektriska värmeanordningar).**
- **Får inte punkteras eller brännas.**
- **Var uppmärksam på att köldmediet kan vara luktfritt.**
- **Rörsystem ska skyddas från fysiska skador.**
- **Installationen av rörsystem bör hållas till ett minimum.**
- **Nationella gasföroreningar måste efterlevas.**
- **Blockera inga nödvändiga ventilationsöppningar.**
- **Håll enheter med brinnande gas, elvärmare och andra eldkällor (antändningskällor) borta från den plats där installation, reparation och annat luftkonditioneringsarbete kommer att utföras.**
- **Enheten skall förvaras på en välventilerad yta där rumsstorleken motsvarar den rumsyta som specificeras vid drift.**
- **Sätt inte brytaren i avstängt läge, förutom när det luktar bränt eller när underhåll eller inspektion utförs.** Köldmedelssensorn i inomhusenheten strömförsörjs inte och sensorn kan inte detektera eventuellt köldmedelsläckage. Detta kan orsaka brand.
- **Fäst anslutningskabeln ordentligt på den angivna platsen.** Felaktig montering kan orsaka elektrisk stöt, eld och/eller funktionsfel.

⚠ FÖRSIKTIGHET (Kan orsaka allvarliga personskador vid felaktig användning i vissa miljöer.)

- **Utför dränerings-/rördragningsarbetet på ett säkert sätt enligt installationsanvisningen.**
Om något är fel i dräneringen/rördragningen kan vatten droppa från enheten, och blöta ned och skada hushållsutrustning.
- **Rör inte utomhusenhetens luftintag eller aluminiumflänsar.**
Det kan leda till skador.
- **Bär skyddsutrustning när du vidrör utomhusenhetens nederdel.**
Du kan skadas om du inte bär skyddsutrustning.
- **Installera inte utomhusenheten där det kan finnas smådjur.**
Om smådjur kommer in och vidrör de elektriska delarna inne i enheten kan felfunktioner, rökutveckling eller brand uppstå. Uppmana även kunden att hålla rent på området runt enheten.
- **Använd inte luftkonditioneringen under invändig byggnation och ytbehandling eller medan du vaxar golvet.**
Ventilera rummet väl efter att sådant arbete utförts innan du använder luftkonditioneringen. Annars kan flyktiga beståndsdelar fastna inuti luftkonditioneringsenheten, vilket resulterar i vattenläckage eller spridning av kondensvatten.
- **Installera inte enheten på en plats där rök, gas eller läkemedel kan förekomma.**
Köldmedelssensorn i inomhusenheten kan reagera på sådant och felaktigt indikera köldmedelsläckage.
- **Var uppmärksam på fläktens rotation när brytaren är i tillslaget läge.**
När köldmedelssensorn detekterar köldmedelsläckage börjar fläkten automatiskt att rotera. Det kan orsaka personskador.
- **Stäng av brytaren och ventilera rummet väl när aerosoler används för inre byggarbeten, avslutande arbeten eller när håll i väggar tätas.** Köldmedelssensorn kan reagera på gasen i aerosolen och felaktigt indikera ett fel.

1-2. VAL AV PLATS FÖR INSTALLATIONEN

Denna installationsanvisning beskriver endast installation av inomhusenheten. Se separat installationsanvisning för utomhusenheten.

INOMHUSENHET

⚠ ⚠ VARNING

- Denna enhet bör installeras i rum där golvytymmet överstiger det som specificeras i utomhusenhetens installationshandbok.**
- Se installationshandboken för utomhusenheten.

Följande villkor bör uppfyllas när inomhusenheter monteras:

- Där luftflödet inte blockeras.
- Där kall (eller varm) luft sprids över hela rummet.
- Stabil vägg utan vibrationer.
- Där den inte utsätts för direkt solljus. Utsatt inte heller enheten för direkt solljus från det att den packats upp tills det att den används.
- Där den enkelt kan dräneras.
- På minst 1 m avstånd från din TV och radio. Luftkonditioneringen kan vid drift störa radio- och TV-mottagningen. En signalförstärkare kan komma att behövas för den utrustning som störs.
- På en plats så långt från lysrör och glödlampor som möjligt, så att den infraröda fjärrkontrollen kan styra luftkonditioneraren utan störning. Värmen från sådana ljuskällor kan orsaka förvrängning, och ultraviolettt ljus kan försämrå signalen.
- Där luftfiltret enkelt kan tas bort och bytas.
- När den står på avstånd från annan värmekälla eller ångkälla.
- Installera inte enheten i utrymmen där man använder gasutrustning avsedd för propan, butan eller metan, sprejer som insektsmedel, utrustning som genererar rök, beläggingsmaterial eller läkemedel, eller i utrymmen där svavelbase-rad gas genereras.
- Köldmedelssensorn i inomhusenheten kan reagera på sådant och felaktigt indikera köldmedelsläckage. Detta kan göra att enheten slutar att fungera.

FJÄRRKONTROLL

Följande förhållanden rekommenderas för förvaring av fjärrkontrollen:

- Där den är enkel att använda och väl synlig.
- Där den är utom räckhåll för barn.
- Välj en plats cirka 1,2 m ovanför golvet och kontrollera att signalerna från fjärrkontrollen mottas säkert av inomhusenheten från denna plats ("pip" eller "pip-pip" hörs vid mottagande).

Obs:

I rum med fluorescerande lampor av invertertyp kan signalen från den trådlösa fjärrkontrollen eventuellt inte tas emot.

Obs:

Undvik att installera luftkonditioneraren på följande platser, där det finns risk att det uppstår problem.

- Där brandfarliga gaser kan läcka ut.
- På platser med mycket maskinolja.
- Där olja kan stänka eller oljig rök finns i luften (t.ex. i kök eller fabriker, där plastens egenskaper kan förändras eller skadas).
- Saltbemängda omgivningar som t.ex. havsstränder.
- Där sulfidgas bildas, som t.ex. vid heta källor, avlopp, spillvatten.
- Där det finns högfrequensutrustning eller trådlös utrustning.
- Där det finns höga emissionsnivåer av VOC:er, inklusive ftalatsammansättningar, formaldehyd osv., som kan orsaka kemisk sprickbildning.
- Utrustningen ska förvaras så att uppkomsten av mekaniska skador förhindras.

Vid anslutning till en utomhusenhet som använder köldmedel R32 installerar du inomhusenheten i ett rum med golvarea Amin eller större, motsvarande kvantitet M av köldmedlet (köldmedel som fyllts på i fabriken + lokalt tillfört köldmedel). Se installationsanvisningen för utomhusenheten för köldmedelsmängd och ytterligare tillfört köldmedel.

M [kg]	Amin [m ³]
1,00	Inga krav
1,10	
1,20	
1,30	
1,40	
1,50	
1,60	
1,70	
1,80	
1,84	
1,90	3,75
2,00	3,95
2,10	4,15
2,20	4,34
2,30	4,54
2,40	4,74

Se installationsanvisningen för utomhusenheten för tillförd köldmedelsmängd.

1-3. SPECIFIKATIONER

Modell	Strömtillförsel *1		Kabelspecifikationer *2	Rörstorlek (tjocklek *3, *4, *5, *6)		Isolerings-tjocklek *7, *8
	Märkspänning	Frekvens	Anslutningskabel för inomhus-/ utomhusenhet	Gas	Vätska	
MFZ-KT25VG	230 V	50 Hz	4-ledare 2,0 mm ²	ø9,52 mm (0,8 mm)	ø6,35 mm (0,8 mm)	14 mm
MFZ-KT35VG				ø12,7 mm (0,8 mm)		
MFZ-KT50VG				ø15,88 mm (0,8 mm)		
MFZ-KT60VG						

*1 Anslut strömbrytare som har ett gap om 3 mm eller mer då den är öppen för att bryta källans strömfas. (När strömbrytaren slås av, måste den bryta alla faser.)

*2 Använd kablar i enlighet med design 60245 IEC 57.

*3 Använd aldrig rörledning med en tjocklek som understiger specifikationen. Trycktätheten blir otillräcklig.

*4 Använd kopparrör eller heldragna rör av en kopparlegering.

*5 Var försiktig så att rören inte kläms eller böjs vid rörböckning.

*6 Böckningsradien på kylningsrören måste vara minst 100 mm.

*7 Isoleringsmaterial : Värmebeständig skumplast, densitetstal 0,045

*8 Tillse att isolering av angiven tjocklek används. För väl tilltagen tjocklek kan orsaka felaktig installation av inomhusenheten, och otillräcklig tjocklek kan orsaka fukt dropp.

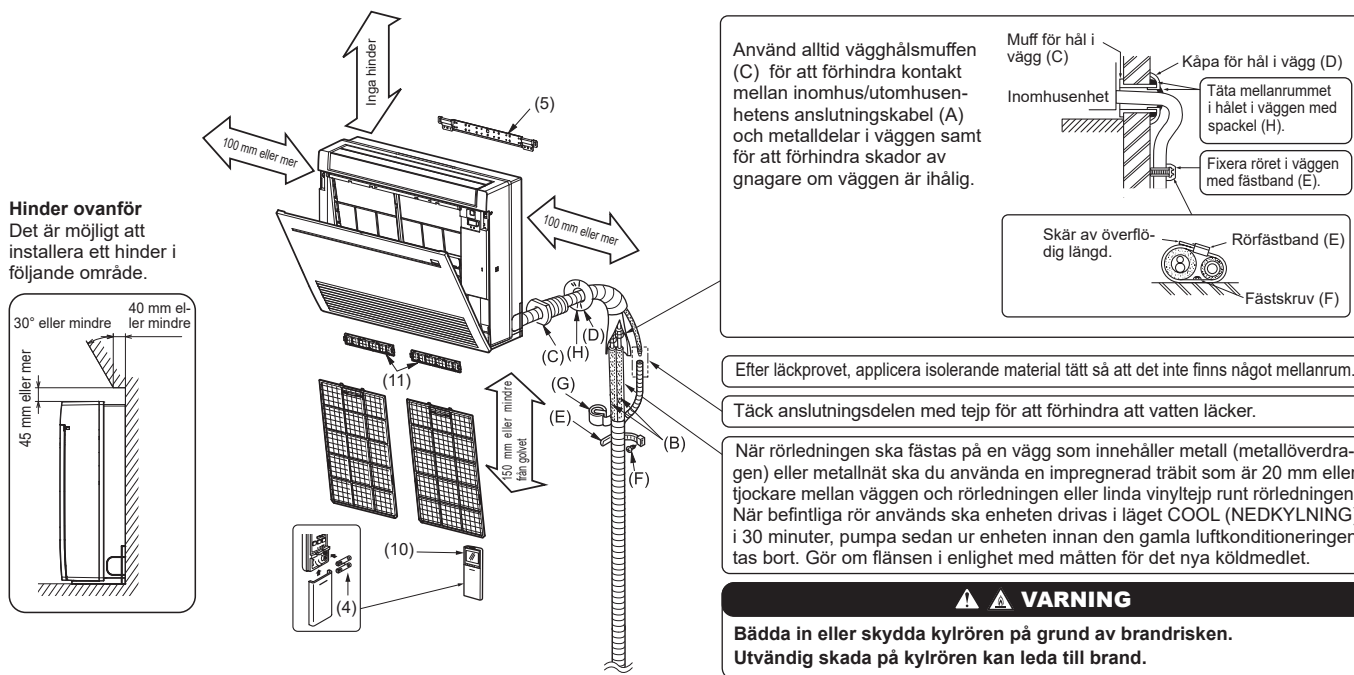
1-4. INSTALLATIONSDIAGRAM

Se utomhusenhetens installationsmanual för installation av utomhusenheter.

I specifikationstabellen för rörledning anges inte en fastställd minsta längd för ledningar.

Inomhusenheter med anslutna rörledning som är kortare än 3 m kan dock ge upphov till periodiskt buller under normal systemdrift i mycket tysta miljöer.

Beakta denna viktiga information då inomhusenheten installeras och placeras i det konditionerade utrymmet.



Enheter skall installeras av behörig installatör i enlighet med lokala föreskrifter.

TILLBEHÖR

Kontrollera följande delar innan installation.

(1) Dräneringsslang*	1
(2) Rörskydd	1
(3) Band	2
(4) Batteri (AAA) för (10)	2
(5) Inomhusenhetens monteringsfäste	1
(6) Fästskruv för (5) 4 × 25 mm	5
(7) Träskruv för montering av inomhusenhet	4
(8) Bricka för (7)	4
(9) Filtejp (för vänster eller vänster bakre rör)	1
(10) Fjärrkontroll	1
(11) Luftrenarfilter	2
(12) Anslutningsrör (endast KT60)	1
(13) Rörskydd för anslutningsrör (endast KT60)	1
(14) Märkning för brytare	1
(15) Förklaring för brytare	1

* Obs:

Dräneringsslangen är ansluten till enheten.

DELAR SOM SKALL TILLHANDAHÅLLAS LOKALT

(A) Anslutningskabel för inomhus- och utomhusenhet*	1
(B) Förlängningsrör	1
(C) Muff för hål i vägg	1
(D) Kåpa för hål i vägg	1
(E) Rörfästband	2 - 5
(F) Fästskruv för (E) 4 × 20 mm	2 - 5
(G) Rörtejp	1
(H) Spackel	1
(J) Dräneringsslang (eller mjuk PVC-slang, 15 mm innerdiameter eller hårt PVC-rör VP16)	1 eller 2
(K) Nätssladd*	1
(L) Band (enbart anslutning av Wi-Fi-gränssnitt)	2

* Obs:

Fäst inom- och utomhusenhetens anslutningskabel (A) och nätssladden (K) minst 1 m bort från kablar för tv-antenn.

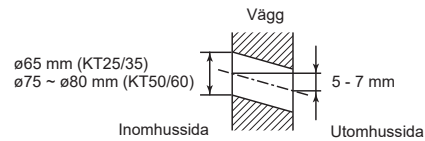
2. INSTALLATION AV INOMHUSENHET

2-1. MONTERA INOMHUSENHETENS MONTERINGSFÄSTE

- Montera inte inomhusenheten högre upp än 150 mm.
- Hitta ett byggnadsmaterial (t.ex. en regel) i väggen och montera fästet (5) horisontellt med fästskruvar (6).
- För att förhindra att monteringsfästet (5) vibrerar, se till att sätta fästskruvarna i hålen som visas på bilden. Som ytterligare stöd kan fästskruvar även sättas dit i andra hål.

2-2. BORRNING AV HÅL

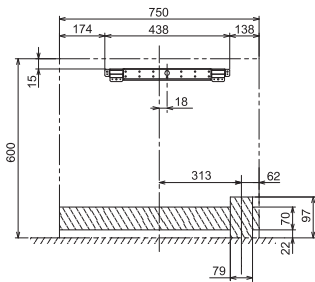
- 1) Bestäm var hålet i väggen skall placeras.
- 2) Borra ett hål med 65 mm diameter (dia. 75 ~ 80 mm för KT50/60). Utomhussidan skall vara 5 till 7 mm lägre än inomhussidan.
- 3) Sätt dit väghålsmuffen (C).



LÄGEN FÖR HÅL

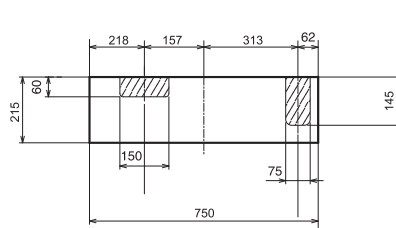
FÖR RÖRDRAGNING BAKÅT ELLER VÄNSTER-BAKÅT

(Figuren nedan visar inomhusenhetens installationsplats sedd framifrån.)

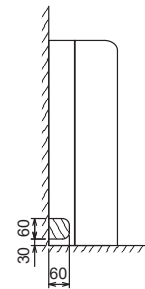


FÖR RÖRDRAGNING ÅT HÖGER ELLER VÄNSTER-NEDÅT

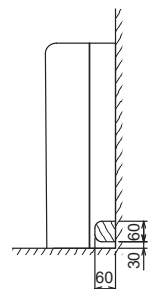
(Figuren nedan visar inomhusenhetens undersida sedd uppifrån.)



FÖR RÖRDRAGNING ÅT VÄNSTER



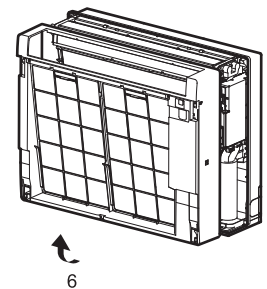
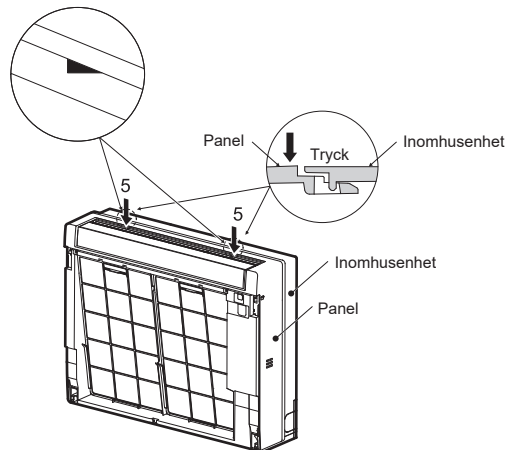
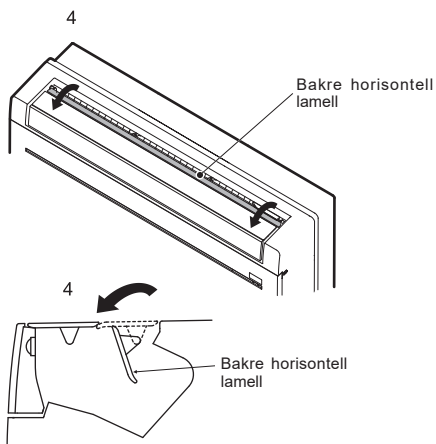
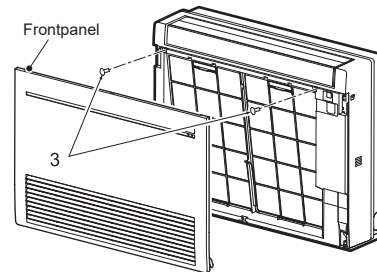
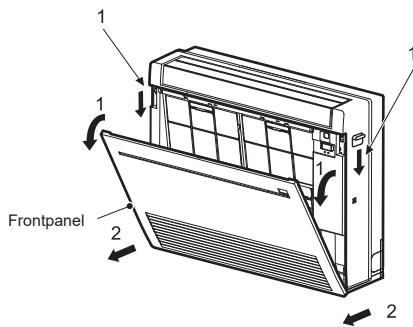
FÖR RÖRDRAGNING ÅT HÖGER



2-3. FÖRBEREDA INOMHUSENHETEN

Ta bort frontpanelen från inomhusenheten.

- 1) Tryck på tungan på båda sidorna av enheten för att öppna frontpanelen.
- 2) Ta bort frontpanelen genom att dra den mot dig.
- 3) Ta bort de 2 skruvarna.
- 4) Öppna den bakre horisontella lamellen.
- 5) Tryck på de 2 ställena ovanpå panelen och dra sedan panelens övre del mot dig.
- 6) Ta bort panelen samtidigt som du lyfter upp den (en aning).



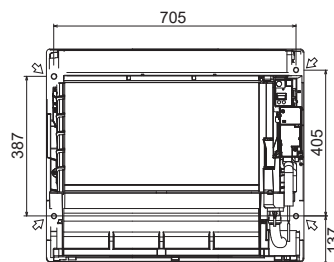
2-4. INSTALLATION AV INOMHUSENHET

2-4-1. INSTALLERA INOMHUSENHETEN PÅ GOLVET

- 1) Placera inomhusenheten på det plana golvet.
- 2) Fäst inomhusenheten på 4 platser med de medföljande träskruvarna (7) och brickorna (8). Dra åt skruvarna ordentligt.

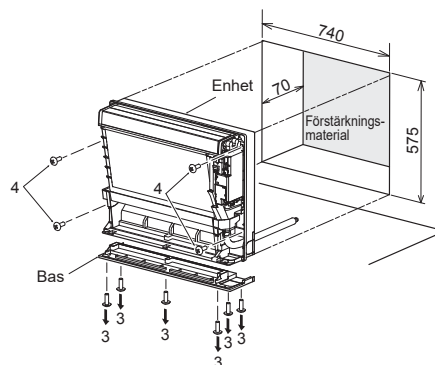
2-4-2. MONTERA INOMHUSENHETEN PÅ VÄGGEN

- 1) Haka fast inomhusenhetens övre del på inomhusenhetens monteringsfästen (5).
- 2) Fäst inomhusenheten på 4 platser med de medföljande träskruvarna (7) och brickorna (8). Dra åt skruvarna ordentligt.



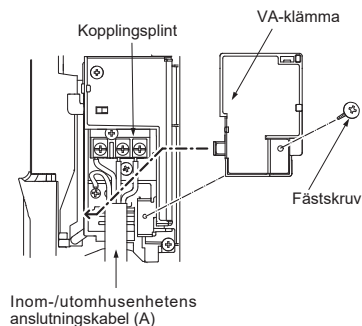
2-4-3. BÄDDA IN INOMHUSENHETEN I EN VÄGG

- 1) Borra ett hål i väggen.
- 2) Använd förstärkningsmaterial och justera djupet.
- 3) Ta bort de 6 skruvarna som fäster basen vid enheten. Ta bort basen från enheten.
- 4) Fäst inomhusenheten på 4 platser med de medföljande träskruvarna (7) och brickorna (8). Dra åt skruvarna ordentligt.



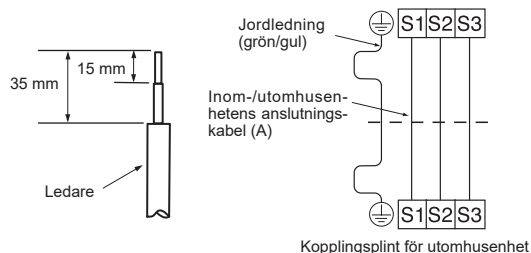
2-5. ANSLUTNINGSKABLAR FÖR INOMHUSENHET

- 1) Ta bort VA-klämman.
- 2) För inomhus- och utomhusenhetens anslutningskabel (A) från inomhusenhetens baksida och bearbeta kabelns ände.
- 3) Lossa kopplingskruven och anslut först jordledningen, sedan inomhus- och utomhusenhetens anslutningskabel (A) till kopplingsplinten. Se till att sladdarna inte ansluts på felaktigt sätt. Fäst kabeln i kopplingsplinten ordentligt så att ingen del av kärnan visas och ingen yttre kraft överförs till den anslutande delen på kopplingsplinten.
- 4) Dra åt kopplingskruvarna ordentligt så att de inte lossnar. Efter åtdragningen, dra lätt i kablarna för att kontrollera att de inte rör sig.
- 5) Sätt fast inom-/utomhusenhetens anslutningskabel (A) samt jordkabeln med VA-klämman. Glöm inte att haka fast VA-klämmans vänstra klo. Montera VA-klämman ordentligt.



Inom-/utomhusenhetens anslutningskabel (A)

Kopplingsplint för inomhusenhet



Kopplingsplint för utomhusenhet

- Gör jordledningen lite längre än de övriga. (Mer än 45 mm)
- För senare underhåll, gör anslutningskablarna extra långa.
- Bunta inte ihop överflödiga kablar och försök inte klämma in dem i ett trångt utrymme. Var försiktig så att du inte skadar kablarna.
- Se till att alla skruvar monteras i motsvarande uttag när sladden och/eller ledningen fästs i kopplingsblocket.

⚠ VARNING

Vid installation av enheten ska kylningsrören anslutas ordentligt innan kompressorn startas.

2-6. RÖRFORMNING OCH INSTALLATION

Obs: Se 3. FLÄNSANSLUTNING, RÖRANSLUTNING.

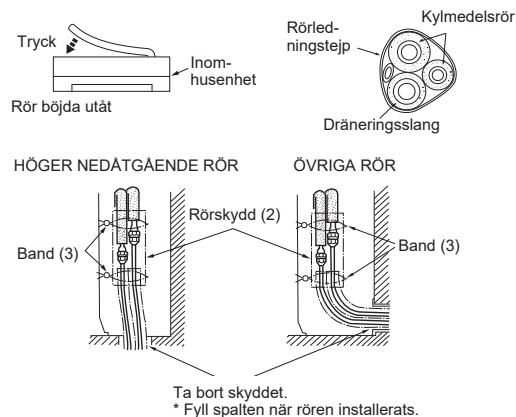
Rörformning

- Dra dräneringsslangen diagonalt under anslutningsrören.
- Kontrollera att dräneringsslangen inte dras uppåt och att det inte finns böjar i slangen.
- Linda tejp runt dräneringsslangen utan att dra i den.
- Dra röret så att det inte skjuter ut längre än inomhusenhetens baksida. (Se figuren till höger.)

Montering av anslutningsrör

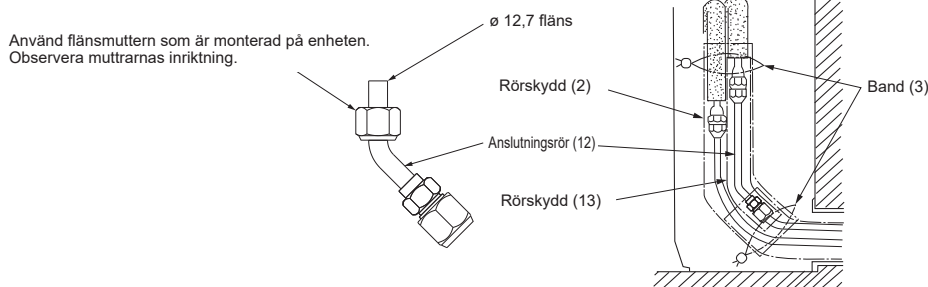
- Montera anslutningsrören så att rören kan flytta sig en aning framåt, bakåt, åt vänster och höger.
- När kåpan avlägsnas ska du vara noga med att täcka rören så att inga rör är exponerade i rummet efter avslutad rörinstallation.
- Fyll spalten när rören installerats.

- Kom ihåg att isolera anslutningsrören så att de inte kommer i kontakt med panelen.
- Var försiktig så att inte anslutningsrören krossas när de böjs.



För MFZ-KT60

- Kom ihåg att använda anslutningsröret (12), annars kan förlängningsröret på $\varnothing 15,88$ inte monteras.
- Flänsa anslutningsröret (12) till $\varnothing 12,7$ och montera rörskyddet (13).



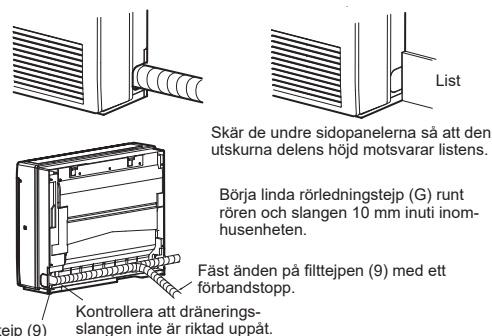
FÖR RÖRDRAGNING ÅT VÄNSTER ELLER VÄNSTER-BAKÅT

Samla ihop anslutningsrören och dräneringsslangen och linda dem med filtejp (9).

Skär och använd de undre sidopanelerna på inomhusenhetens vänstra och högra sida så som visas.

Jämn till skårytorna på sidopanelerna så att de inte skadar isoleringen.

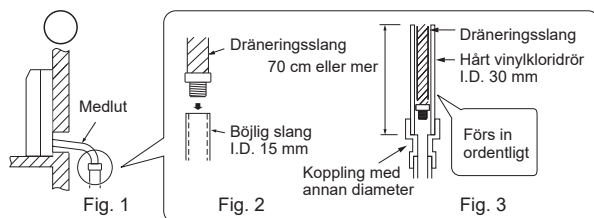
- För rördragning åt vänster eller höger
- Installera invid en vägg med list



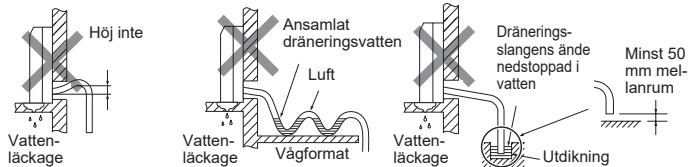
Linda filtejp (9) ordentligt runt rören och slangen, med början i närheten av platsen där rören och slangen kommer ut från inomhusenheten. (Filtejpen (9) ska inte överlappas med mer än 1/2 av tejpens bredd.)

2-7. DRÄNERINGSRÖR

- Om dräneringsslangen måste passera genom ett rum, var noga med att omsluta den med isoleringsmaterial som finns i handeln.
- Dräneringsslangen bör peka nedåt för att dräneringen skall gå lätt. (Fig. 1)
- Om den dräneringsslang som följer med inomhusenheten är för kort, kan den förlängas lokalt med en slang (J). (Fig. 2)
- Täta anslutningen mellan produktens dräneringsslang och dräneringsslangens förlängning (16 mm innerdiameter) (J) med tejp eller något annat material.
- När dräneringsslangen ansluts till ett hårt vinylkloridrör ska du kontrollera att den förs in ordentligt i röret. (Fig. 3)

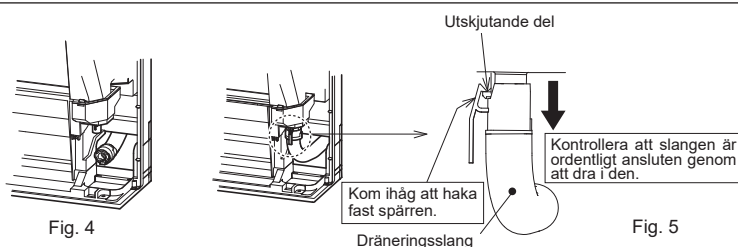


Se till att inte dräneringsslangen droppar så som visas nedan.



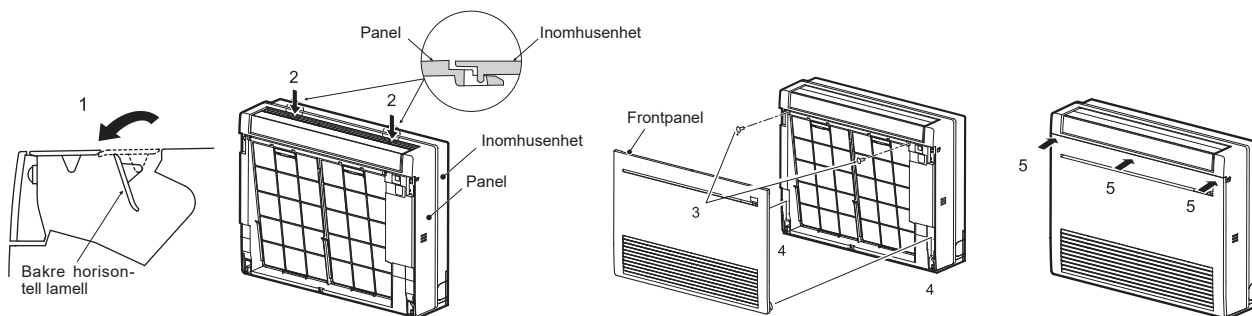
Dräneringsslangen är borttagen under installationen.

- Kontrollera att dräneringsslangen (1) dras så som visas när dräneringsrören dras. (Fig. 4)
 - För in dräneringsslangen helt ned i botten på dräneringstråget (slutkoppling). (Fig. 5)
- Kontrollera att dräneringsslangens spärr har hakats fast ordentligt på den utskjutande delen av dräneringstrågets slangkoppling.
- Kontrollera att dräneringsslangen sitter fast ordentligt efter anslutningen genom att dra i den.



2-8. INSTALLERA FRONTPANELEN

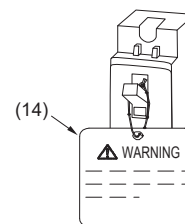
- 1) Öppna den bakre horisontella lamellen.
- 2) Sätt fast panelen. Kontrollera att spärrarna kopplas in.
- 3) Fäst panelen med skruvar.
- 4) För in den undre delen av frontpanelen.
- 5) Stäng frontpanelen genom att trycka på 3 ställen på den övre delen av frontpanelen.



2-9. SÅ HÄR FÄSTER DU MÄRKNINGEN OCH FÖRKLARINGEN

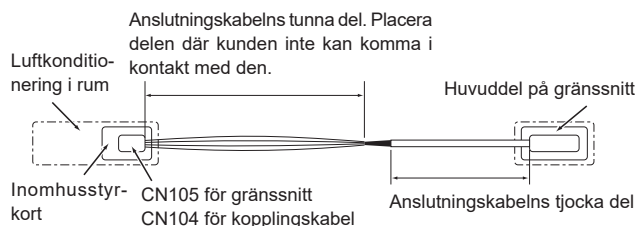
Brytaren ska alltid vara i tillslaget läge utom vid underhåll eller inspektion. Häng den medföljande märkningen (14) eller (15) på brytaren och förklara den för kunden. När brytaren är i avstängt läge strömförsörjs inte köldmedelssensorn i inomhusenheten och eventuell köldmedelsläckage detekteras inte.

Obs: Vid installation med separat strömförsörjning för inomhusenhet och utomhusenhet hänger du den medföljande märkning- en (14) eller (15) på inomhusenhetens brytare och förklarar den för kunden.

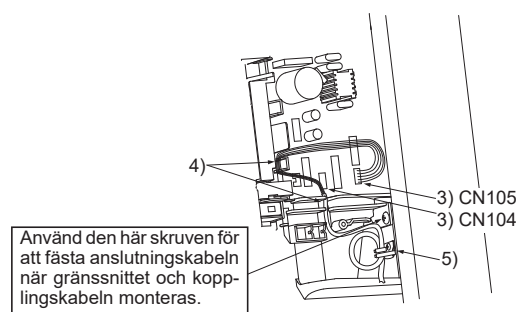


2-10. ANSLUTA ETT GRÄNSSNITT (tillval)/EN KOPPLINGSKABEL (tillval) TILL LUFTKONDITIONERINGEN

- Anslut ett gränssnitt/en kopplingskabel till inomhusstyrkortet på en luftkonditionering med en anslutningskabel.
- Fel kan uppstå vid anslutningen om anslutningskabeln för gränssnittet/kopplingskabeln kapas eller förlängs. Bunta inte ihop anslutningskabeln med nåtsladden, inom-/utomhusenhetens anslutningskabel och/eller jordledningen. Håll så långt avstånd som möjligt mellan anslutningskabeln och sådana kablar.
- Den tunna delen på anslutningskabeln ska förvaras och placeras så att kunden inte kan komma i kontakt med den.



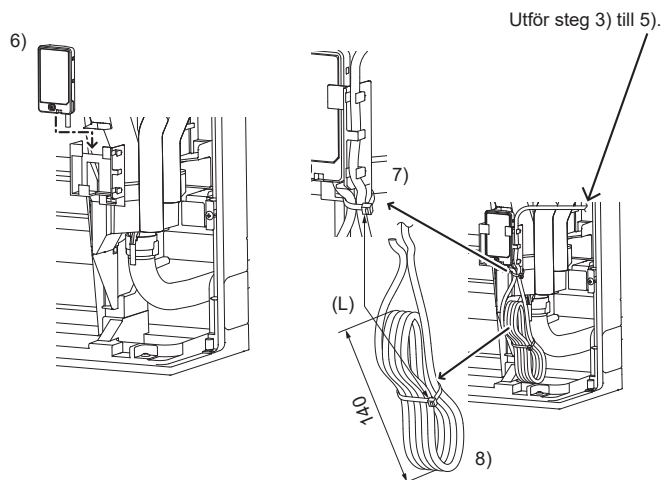
- 1) Ta bort panelen.
- 2) Öppna luckan till inomhusstyrkortet.
- 3) Anslut anslutningskabeln till CN105 och/eller CN104 på inomhusstyrkortet.
- 4) Dra anslutningskabeln genom punkten som visas på bilden.
- 5) Sätt fast kabelklämman som medföljer gränssnittet/kopplingskabeln på anslutningskabelns tjocka del med en skruv 4 × 16 så som visas på bilden.
- 6) Stäng luckan till inomhusstyrkortet. Var försiktig så att den tunna delen på anslutningskabeln inte fastnar i luckan. Sätt tillbaka panelen.



Obs:

När du ansluter Wi-Fi-gränssnittet (tillval) ska du montera gränssnittet i hållaren så som visas på bilden. Justera kabelns längd och rulla ihop den så som visas på bilden.

- 1) Lossa panelen.
- 2) Öppna luckan till inomhusstyrkortet.
- 3) Koppla anslutningskabeln till CN105 på inomhusstyrkortet.
- 4) Dra anslutningskabeln genom punkten som visas på bilden.
- 5) Sätt fast kabelklämman som medföljer gränssnittet/kopplingskabeln på anslutningskabelns tjocka del med en skruv 4 × 16 så som visas på bilden.
- 6) Placera Wi-Fi-gränssnittet i hållaren.
- 7) Placera anslutningskabeln i hållaren och fäst den med bandet (L).
- 8) Rulla ihop resten av kabeln till en bunt med hjälp av bandet (L). Den upprullade delen ska vara ca 140 mm.
- 9) Stäng luckan på inomhusstyrkortet. Var försiktig så att den tunna delen på anslutningskabeln inte fastnar i luckan. Sätt tillbaka panelen.



⚠ VARNING

Montera anslutningskabeln ordentligt på den angivna platsen. Felaktig installation kan orsaka elektriska stötar, brand och/eller felaktig funktion.

3. FLÄNSANSLUTNING, RÖRANSLUTNING

3-1. UPPFLÄNSNINGARBETE

- Skär av kopparledningen med en rörledningskapare. (Fig. 1, 2)
- Ta bort allt skägg från de avskurna delarna. (Fig. 3)
 - Rikta änden på kopparröret nedåt medan du tar bort skägg, för att inte skägg ska falla ner i röret.
- Avlägsna flänsmuttrarna från inomhus- och utomhusenheterna och sätt dem på ledningen när du har tagit bort skägget. (det går inte att sätta på dem efter uppflänsningsarbetet).
- Uppflänsningsarbete (Fig. 4, 5). Håll fast kopparröret i den dimension som visas i tabellen. Välj A mm från tabellen enligt verktyget du använder.
- Kontroll
 - Jämför uppflänsningen med Fig. 6.
 - Om uppflänsningen tycks vara felaktig, skär av den flänsade delen och utför uppflänsningen igen.

Rördiameter (mm)	Mutter (mm)	A (mm)			Åtdragningsmoment	
		Kopplingsverktyg för R32, R410A	Kopplingsverktyg för R22	Vingmutterverktyg R22	N•m	kgf•cm
ø 6,35 (1/4")	17	0 - 0,5	1,0 - 1,5	1,5 - 2,0	14 - 18	140 - 180
ø 9,52 (3/8")	22			2,0 - 2,5	34 - 42	340 - 420
ø 12,7 (1/2")	26			-	49 - 61	490 - 610
ø 15,88 (5/8")	29			-	68 - 82	680 - 820

3-2. RÖRANSLUTNING

- Fäst en flänsmutter med en momentnyckel enligt vad som anges i tabellen.
- Om den dras åt för hårt, kan flänsmuttern gå sönder efter lång tid och orsaka läckage av köldmedium.
- Kom ihåg att linda isolering runt rören. Direktkontakt med bara rör kan leda till brännskador eller köldskador.

Anslutning av inomhusenhet

Anslut både vätske- och gasrör till inomhusenheten.

- Stryk inte på kylolja på skruvgångarna. För högt åtdragningsmoment gör att skruven skadas.
- För att ansluta, lägg först rören i linje med varandra och drag sedan åt flänsmuttern 3-4 varv för hand.
- Använd schemat för effektivt vridmoment ovan som en riktlinje för inomhusenhetens anslutningsdel och dra åt med två tänger. Om du drar åt för mycket skadas flänsdelen.

⚠ VARNING

Återanvändningsbara mekaniska kopplingar och öppna ringfogar är inte tillåtna inomhus. När kylrören ansluts med hårdlödning, är det bättre att all hårdlödning slutförs innan inomhusenheten och utomhusenheten kopplas samman, hellre än att använda s.k. flare-kopplingar.

4. TESTKÖRNING

4-1. TESTKÖRNING

Kontrollera att följande har utförts.

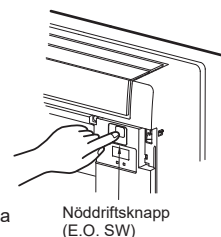
- Panelen är installerad på rätt sätt.
- Inom- och utomhusenheterna är installerade på rätt sätt och ström matas.

- Tryck på E.O. SW en gång för COOL (KYLNING), och två gånger för HEAT (VÄRME). Testkörning utförs i 30 minuter. Om den vänstra lampan på funktionsindikator blinkar var 0,5:e sekund, kontrollera då om inom- och utomhusenhetens anslutningskabel (A) är felansluten. Efter testkörningen startar läget för nöddrift (inställd temperatur 24°C).
- För att stoppa driften, tryck flera gånger på E.O. SW tills alla lysdioder släcks. Se bruksanvisningen för mer information.

Kontroll av fjärrkontrollens (infraröda) signalmottagning

Tryck på ON/OFF på fjärrkontrollen (10) och kontrollera att ett elektroniskt ljud hörs från inomhusenheten. Tryck en gång till på ON/OFF för att stänga av luftkonditioneringsapparaten.

- När kompressorn stannat, kopplas en stoppmekanism in som förhindrar kompressorn från att omstartas under 3 minuter för att skydda luftkonditioneringsapparaten mot skador.



4-2. AUTOMATISK OMSTARTFUNKTION

Den här produkten är utrustad med en automatisk omstartfunktion. När strömförsörjningen avbryts under drift, som t.ex. vid strömavbrott, startar funktionen automatiskt drift i den tidigare inställningen när strömförsörjningen återupptas. (Se bruksanvisningen för mer information.)

Försiktighet:

- Efter testkörning eller kontroll av fjärrkontrollens signalmottagning, stäng av enheten med E.O. SW eller fjärrkontrollen innan strömförsörjningen stängs av. Om detta inte görs, startas enheten automatiskt när strömförsörjningen återupptas.

Till kunden

- När enheten har installerats ska den automatiska omstartfunktionen förklaras för kunden.
- Om den automatiska omstartfunktionen inte behövs kan den deaktiveras. Kontakta servicerepresentanten för att deaktivera funktionen. Se bruksanvisningen för mer information.

4-3. FÖRKLARING TILL KUNDEN

- Använd BRUKSANVISNINGEN och förklara för kunden hur man använder luftkonditioneraren (hur man använder fjärrkontrollen, hur man tar bort luftfiltren, hur man tar bort eller sätter dit fjärrkontrollen i fjärrkontrollhållaren, hur man rengör, försiktighetsåtgärder vid drift o.s.v.)
- Rekommendera kunden att noggrant läsa igenom BRUKSANVISNINGEN.

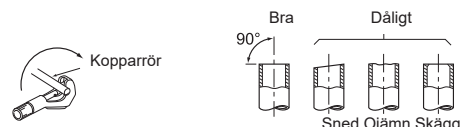


Fig. 1

Fig. 2

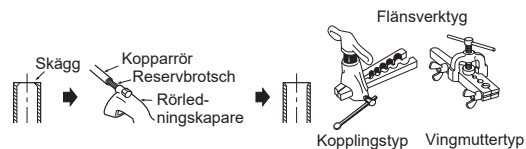


Fig. 3

Fig. 4

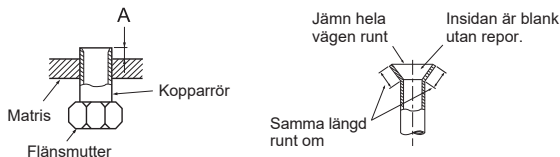
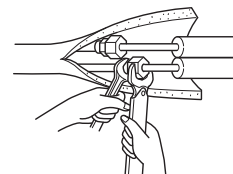


Fig. 5

Fig. 6



⚠ VARNING

Vid installation av enheten ska kylningsrören anslutas ordentligt innan kompressorn startas.

5. URPUMPNING

Se de anvisningar som finns i installationsanvisningen för utomhusenheten.

VARNING

Samla inte upp kylmedel via kompressorn om det finns en läcka i kylmedelskretsen. Vid utpumpning av köldmedium ska kompressorn stoppas innan kylningsrören kopplas bort. Kompressorn kan spricka om luft osv. tränger in i den.

СЪДЪРЖАНИЕ

1. ПРЕДИ МОНТАЖ	1
2. МОНТАЖ НА ВЪТРЕШНОТО ТЯЛО	4
3. КОНУСНА ВРЪЗКА, СВЪРЗВАНЕ НА ТРЪБИТЕ	8
4. ПРОБНО ПУСКАНЕ В ДЕЙСТВИЕ	8
5. ИЗПОМПВАНЕ	9

Имената на моделите са означени в 1-3.





Това ръководство за монтаж описва само монтажа на вътрешното тяло. Вижте ръководството за монтаж на външното тяло относно поставянето на външните тела.

Необходими инструменти за монтаж

Отвертка Phillips	Конусна дъска за R32, R410A
Нивелир	Манометрична станция за R32, R410A
Рулетка	Вакуум помпа за R32, R410A
Макетен нож или ножици	Заряден маркуч за R32, R410A
75 mm фреза	Тръборез с шабър
Динамометричен ключ	Бутилка с вода
Гаечен ключ	от 0,9 до 1,0 литра вода

1. ПРЕДИ МОНТАЖ

ЗНАЧЕНИЯ НА СИМВОЛИТЕ, ПОКАЗАНИ НА ВЪТРЕШНОТО ТЯЛО И/ИЛИ НА ВЪНШНОТО ТЯЛО

	ПРЕДУПРЕЖДЕНИЕ (Опасност от пожар)	Това тяло използва запалим хладилен агент. Ако има изтичане на хладилен агент и той влезе в контакт с огън или нагревателна част, това ще създаде вреден газ и има опасност от пожар.
	Преди работа прочетете внимателно РЪКОВОДСТВОТО ЗА ЕКСПЛОАТАЦИЯ.	
	Обслужващият персонал е задължен да прочете внимателно РЪКОВОДСТВОТО ЗА ЕКСПЛОАТАЦИЯ и РЪКОВОДСТВОТО ЗА МОНТАЖ преди работа.	
	Допълнителна информация е достъпна в РЪКОВОДСТВОТО ЗА ЕКСПЛОАТАЦИЯ, РЪКОВОДСТВОТО ЗА МОНТАЖ и други подобни.	

1-1. ВИНАГИ СПАЗВАЙТЕ ОПИСАНОТО ПО-ДОЛУ

- Не забравяйте да прочетете „ВИНАГИ СПАЗВАЙТЕ ОПИСАНОТО ПО-ДОЛУ“, преди да инсталирате климатичната система.
- Задължително спазвайте напътствията и предупрежденията отбелязани тук, защото те съдържат важна информация, свързана с Вашата безопасност.
- След като прочетете това ръководство, съхранявайте го заедно с РЪКОВОДСТВОТО ЗА ЕКСПЛОАТАЦИЯ за лесна справка в бъдеще.

⚠ ПРЕДУПРЕЖДЕНИЕ (Може да причини смърт, сериозни травми и т.н.)

- **Не инсталирайте сами тялото (за потребители).** Неправилната инсталация може да причини пожар, токов удар, нараняване поради падане на тялото или изтичане на вода. Консултирайте се с дилъра, от когото сте закупили тялото, или с квалифициран инсталационен техник.
- **Извършвайте инсталацията, спазвайки инструкциите в ръководството за монтаж.** Неправилната инсталация може да причини пожар, токов удар, нараняване поради падане на тялото или изтичане на вода.
- **При инсталация използвайте подходящо защитно оборудване и инструменти за безопасност.** Неспазването на това може да доведе до наранявания.
- **Инсталирайте тялото на надеждно място, което може да понесе неговата тежест.** В случай че мястото, където е инсталирано климатичното тяло, не може да понесе неговата тежест, тялото може да падне, причинявайки щети.
- **Електрическите работи трябва да се изпълняват от квалифициран, опитен електротехник, съобразно ръководството за монтаж. Използвайте самостоятелна електрическа верига. Не включвайте други електрически уреди към веригата.** В случай че капацитетът на електрическата мрежа е недостатъчен или има недовършена електрическа работа, е възможно да възникне пожар или токов удар.
- **Заземете тялото правилно.** Не свързвайте заземяването с газопровод, водопровод, гръмоотвод или телефонно заземяване. Дефектното заземяване може да доведе до токов удар.
- **Не нанасяйте щети на кабелите чрез прилагане на прекомерен натиск с компоненти или винтове.** Повредените кабели могат да причинят пожар или токов удар.
- **Изключете захранването в случаи на настройка на платката на вътрешното тяло или окабеляване.** Неспазването на това може да доведе до токов удар.
- **Използвайте изрично упоменатите кабели, за да свържете вътрешните и външните тела безопасно, и закрепете кабелите здраво към клеморедата, така че да не се предава механично напрежение към тях. Не удължавайте кабелите и не използвайте междинни връзки.** Неправилното свързване и укрепване могат да причинят пожар.
- **Не инсталирайте тялото на места, където има опасност от изтичане на лесно запалим газ.** Ако газ изтече и се акумулира в зоната около тялото, има риск от експлозия.
- **Не използвайте междинната връзка на захранващия кабел или удължителния шнур и не свързвайте много уреди към един електрически контакт.** Това може да доведе до пожар или токов удар поради дефектен контакт, дефектна изолация, превишаване на допустимия ток, и т.н.
- **Използвайте предоставените Ви части или изрично упоменатите допълнителни части за инсталационните работи.** Употребата на дефектни части може да доведе до нараняване или изтичане на вода поради пожар, токов удар, падане на тялото, и т.н.
- **При включване на щепсела в контакта, уверете се, че няма прах, запушване, или разхлабени части в контакта или щепсела. Щепселът трябва да бъде вкаран докрай в контакта.** Ако има прах, запушване, или разхлабени части по щепсела или контакта, това може да доведе до токов удар или пожар. Ако има разхлабени части по щепсела, заменете го.
- **Стабилно свържете капака на клеморедата към вътрешното тяло, а сервизния панел - към външното тяло.** Ако капакът на клеморедата на вътрешното тяло и/или сервизния панел на външното тяло не са добре закрепени, това може да доведе до пожар или токов удар поради прах, вода и т.н.
- **При монтаж, преместване или обслужване на тялото уверете се, че единствено изрично посоченият хладилен агент (R32/R410A) влиза в охладителната верига.** Наличието на чужда субстанция като въздух може да доведе до аномално повишаване на налягането, експлозия или нараняване. Употребата на хладилен агент, различен от изрично упоменатия за системата, ще доведе до механична повреда, неправилно функциониране на системата или повреда на тялото. В най-лошия случай това може сериозно да възпрепятства осигуряването на безопасността на продукта.
- **Не правете промени по тялото.** Това може да причини пожар, токов удар, нараняване или изтичане на вода.
- **Не освобождавайте хладилния агент в атмосферата. В случай на изтичане на хладилния агент по време на монтажа проветрете стаята. След завършване на монтажа се уверете, че няма изтичане на хладилен агент.** Ако има изтичане на хладилен агент и той влезе в контакт с огън или нагревателна част, например вентилаторна печка, керосинова печка или готварска печка, това ще генерира вреден газ. Осигурете вентилация съобразно с EN378-1.
- **Използвайте подходящи инструменти и тръбни материали за монтаж.** Налягането на R32/R410A е 1,6 пъти повече от R22. Употребата на неподходящи инструменти и материали, както и неправилният монтаж, могат да причинят спукване на тръбите или повреда.
- **Когато във веригата за хладилен агент има теч, не извършвайте изпомпване с компресора. Когато изпомпвате хладилния агент, спрете компресора, преди да откатите хладилните тръби.** Ако хладилните тръби са разкачени, докато компресорът е включен, и спирателният клапан е отворен, може да влезе въздух и налягането в охладителния цикъл може да стане аномално високо. Това може да доведе до спукване на тръбите или повреда.
- **Монтирайте дефектнотокова защита в зависимост от мястото за монтаж.** Ако не бъде монтирана дефектнотокова защита, може да се възникне токов удар.
- **Когато монтирате тялото, закрепете здраво хладилните тръби, преди да стартирате компресора.** Ако компресорът бъде включен преди хладилните тръби да бъдат свързани и когато спирателният клапан е отворен, може да влезе въздух и налягането в охладителния цикъл може да стане аномално високо. Това може да доведе до спукване на тръбите или повреда.
- **Затегнете конусовидната гайка с динамометричен гаечен ключ, както е обяснено в това ръководство.** Ако е твърде здраво затегната, тя може да се счупи след време и да причини изтичане на хладилен агент.
- **Тялото трябва да бъде монтирано съобразно националните наредби за електрическа безопасност.**
- **Когато използвате газово горивно устройство или друго оборудване, генериращо пламък, отстранете изцяло хладилния агент от климатика и се уверете, че зоната е добре проветрена.** Ако има изтичане на хладилен агент и той влезе в контакт с огън или нагревателна част, това ще генерира вреден газ и има опасност от пожар.
- **Не използвайте средства за ускоряване на процеса на размразяване или за почистване, различни от тези, препоръчани от производителя.**
- **Уредът трябва да се съхранява в помещението без постоянно действащи източници на запалване (напр. открити пламъци, работещ газов уред или работещ електрически нагревател).**
- **Не пробивайте и не изгаряйте.**
- **Имайте предвид, че хладилните агенти може да не съдържат миризма.**
- **Тръбите трябва да са защитени от физическа повреда.**
- **Монтирането на тръби трябва да е сведено до минимум.**
- **Националните разпоредби относно газта трябва да се спазват.**
- **Пазете изискваните вентилационни отвори от запушване.**
- **Дръжте уреди, работещи с газ, електрически нагреватели и други източници на пламък (източници на запалване) далеч от мястото, където ще се извършват монтажни, ремонтни и други климатични дейности.**
- **Уредът трябва да се съхранява в добре проветрива зона, където размерът на помещението съответства на площта, посочена за работа.**
- **Не изключвайте защитния прекъсвач, освен при поява на мирис на изгоряло или когато се изпълнява техническа поддръжка или проверка.** Към сензора за хладилен агент, монтиран във вътрешното тяло, не може да се подава захранване, и сензорът не може да открива изтичане на хладилен агент. Това може да причини пожар.
- **Закрепете свързващия кабел здраво в посочената позиция.** Неправилният монтаж може да доведе до токов удар, пожар и/или повреда.

- **Отводнете внимателно тялото според ръководството за монтаж.**
Ако има дефект в дренажа/тръбите, може да протече вода от тялото и да повреди заобикалящите го предмети.
- **Не докосвайте отвора за приток на въздуха или топлообменника на външното тяло.**
Това би могло да доведе до нараняване.
- **Носете лични предпазни средства, когато се допирате до основата на външното тяло.**
Възможно е да се нараните, ако не носите предпазни средства.
- **Не монтирайте външното тяло на места, където може да живеят малки животни.**
Ако малки животни влезнат и докоснат електрическите части в устройството, това може да доведе до повреда, поява на дим или пожар. Освен това, посъветвайте потребителя да поддържа чиста зоната около тялото.
- **Не включвайте климатика по време на извършване на вътрешна строителна или довършителна работа, или по време на полиране на пода.**
Преди да включите климатика, проветрете помещението добре след извършването на такава работа. В противен случай летливи вещества може да поленат по вътрешността на климатика и в резултат на това да възникне теч на вода или разпръскване на капки.
- **Не монтирайте тялото на места, за които има опасност да се изпълнят с дим, газ или лекарствени препарати.**
Сензорът за хладилен агент, монтиран във вътрешното тяло, може да реагира и да изведе грешка за изтичане на хладилен агент.
- **Внимавайте с въртенето на вентилатора, когато защитният прекъсвач е включен.**
Когато сензорът за хладилен агент открие теч на хладилен агент, вентилаторът автоматично започва да се върти. Това може да доведе до нараняване.
- **Когато използвате аерозолни спрейове за вътрешно строителство, довършителни работи или за уплътняване на дупка в стена, изключете прекъсвача и проветрете стаята добре.** Възможна е реакция на сензора на хладилния агент към газа в спрейовете и това може да доведе до неправилно разпознаване.

1-2. ИЗБОР НА МЯСТО ЗА МОНТАЖ

Това ръководство описва само монтажа на вътрешното тяло.

При монтиране на външното тяло вижте ръководството за монтаж на външното тяло.

ВЪТРЕШНО ТЯЛО

⚠ ⚠ ПРЕДУПРЕЖДЕНИЕ

Тялото трябва да се монтира в помещения, които надвишават подовото пространство, посочено в ръководството за монтаж на външното тяло.

- Вижте ръководството за монтаж на външното тяло.

При монтирането на вътрешни тела трябва да бъдат изпълнени следните условия:

- Където има свободен въздушен поток.
- Където хладният (или топлият) въздух ще има възможност да циркулира из цялото помещение.
- Устойчива стена без вибрации.
- Където не е изложено на пряка слънчева светлина. Не излагайте на пряка слънчева светлина включително и в периода между разопаковането и монтажа.
- Където може лесно да се отводи.
- На минимум 1 m разстояние от телевизор или радио. Работата на климатика може да наруши TV сигнала или радиосигнала. В такъв случай може да е необходим усилвател.
- На място възможно най-далеч от флуоресцентни лампи и лампи с нажежаема жичка. С цел инфрачервеното дистанционно управление да управлява климатика нормално. Топлината от лампите може да причини деформация или ултравиолетовите лъчи могат да причинят повреда.
- Където въздушният филтър е леснодостъпен за смяна.
- Където е на разстояние от друг източник на топлина или пара.
- Не монтирайте тялото в среда, в която се използват уреди, работещи с пропан, бутан или метан, спрейове, например препарати срещу насекоми, оборудване, което отделя дим, покривач материал и лекарствени препарати, или на места, където се отделят газове, съдържащи сяра.
- Сензорът за хладилен агент, монтиран във вътрешното тяло, може да реагира на тяхното присъствие и да изведе грешка за изтичане на хладилен агент. Това може да доведе до спиране на работата на тялото.

ДИСТАНЦИОННО УПРАВЛЕНИЕ

Предпочитаните условия за съхранение на дистанционно управление са следните:

- Където е видимо и лесно за употреба.
- Недостъпно за деца.
- Изберете позиция на около 1,2 m над пода и се уверете, че сигналът на дистанционното управление от тази позиция се приема без проблем от вътрешното тяло („бийп“ или „бийп бийп“ и тонът при получаване на команда).

Забележка:

В помещения с флуоресцентни осветителни тела може да има смущения в сигнала на дистанционното управление.

Забележка:

Избягвайте следните места за монтаж, на които може да възникне проблем с климатика:

- Където може да има теч на запалими газове.
- Където има големи количества машинно масло.
- Където се разлива масло или има изпарения от мазнина (в близост до готварски зони и фабрики, тъй като свойствата на пластмасата може да се променят или влошат).
- Места с високо съдържание на сол като морския бряг.
- На места, където се отделя сулфиден газ, например горещи извори, канализация, отпадни води.
- Където има високочестотни или безжични устройства.
- Където има висока концентрация на летливи органични съединения, включително фталатни съединения, формалдехид и т.н., което може да причини химична реакция.
- Уредът трябва да се съхранява така, че да се предотвратят механични повреди.

Ако свързвате с външно тяло, което използва хладилен агент R32, монтирайте вътрешното тяло в помещение с подова площ Amin или повече, съответстваща на хладилен агент M (фабрично зареден хладилен агент + локално добавен хладилен агент). За количеството на хладилния агент и зареждане на допълнителен хладилен агент вижте външното тяло.

M [kg]	Amin [m ²]
1,00	Няма изисквания
1,10	
1,20	
1,30	
1,40	
1,50	
1,60	
1,70	
1,80	
1,84	
1,90	3,75
2,00	3,95
2,10	4,15
2,20	4,34
2,30	4,54
2,40	4,74

Вижте ръководството за монтаж на външното тяло за зареждане с хладилен агент.

1-3. СПЕЦИФИКАЦИИ

Модел	Електрическо захранване *1		Окабеляване *2	Размер на тръбите (дебелина *3, *4, *5, *6)		Дебелина на изолацията *7, *8
	Номинално напрежение	Честота		За газ	За течност	
MFZ-KT25VG	230 V	50 Hz	Кабел м/у външно/вътрешно тяло	4-жилен 2,0 mm ²	За газ	14 mm
MFZ-KT35VG					За течност	
MFZ-KT50VG					За газ	
MFZ-KT60VG					За течност	

*1 Свържете към захранващ превключвател с 3 mm разстояние в изключено състояние за прекъсване на фазата. (В изключено състояние трябва да прекъсва всички фази.)
 *2 Използвайте проводници в съответствие с 60245 IEC 57.
 *3 Не използвайте тръби с по-малка от изискваната дебелина. Устойчивостта на налягане ще бъде недостатъчна.

*4 Използвайте тръба от мед или медна сплав.
 *5 Внимавайте да не смачкате или повредите тръбите при огъването им.
 *6 Радиусът на огъване на тръбите трябва да бъде 100 mm или повече.
 *7 Изолационен материал: топлоустойчив дунапрен 0,045 относително тегло.

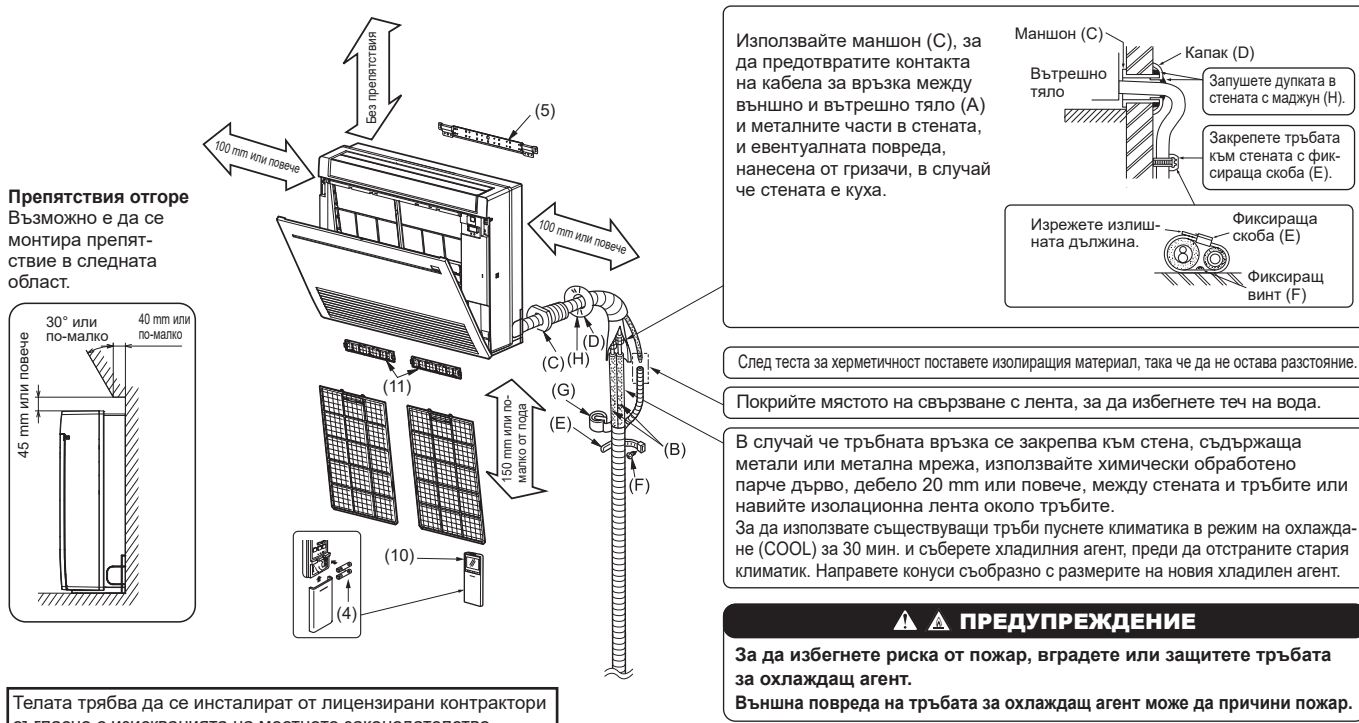
*8 Използвайте изолацията с определената дебелина. Прекомерната дебелина може да доведе до грешен монтаж на вътрешното тяло, а недостатъчната дебелина - до теч на конденз.

1-4. ДИАГРАМА ЗА МОНТАЖ

Когато монтирате външни тела, вижте ръководството за монтаж на външното тяло.

Таблицата с указанията за тръбите не предвижда определена минимална дължина. Въпреки това вътрешните тела с дължина на свързаните тръби, по-малка от 3 m, могат да предизвикат периодичен шум при нормална работа на системата в много тиха среда.

Имайте предвид тази важна информация при монтажа и поставянето на вътрешното тяло на определеното място.



Телата трябва да се инсталират от лицензирани контрактори съгласно с изискванията на местното законодателство.

АКСЕСОАРИ

Преди монтаж проверете дали разполагате със следното.

(1) Дренажен маркуч*	1
(2) Капак за тръби	1
(3) Скоба	2
(4) Батерия (AAA) за (10)	2
(5) Монтажна скоба на вътрешното тяло	1
(6) Фиксиращ винт за (5) 4 × 25 mm	5
(7) Винт за дърво за закрепване на вътрешното тяло	4
(8) Шайба (7)	4
(9) Филцова лента (за лява или лява задна тръба)	1
(10) Безжично дистанционно управление	1
(11) Филтър за пречистване на въздуха	2
(12) Съединяваща тръба (само за KT60)	1
(13) Капак за съединяваща тръба (само за KT60)	1
(14) Етикет за защитния прекъсвач	1
(15) Информация за защитния прекъсвач	1

* Забележка:

Дренажният маркуч е свързан към тялото.

ЧАСТИ, КОИТО ТРЯБВА ДА БЪДАТ НАЛИЧНИ НА ОБЕКТА

(A) Кабел за връзка между външно и вътрешно тяло*	1
(B) Свързващи тръби	1
(C) Маншон за отвор	1
(D) Капак за отвор	1
(E) Фиксираща скоба	2 до 5
(F) Фиксиращ винт за (E) 4 × 20 mm	2 до 5
(G) Бандажна лента	1
(H) Маджун	1
(J) Дренажен маркуч (или мек маркуч от PVC с 15 mm вътрешен диаметър или твърда PVC тръба VP16)	1 или 2
(K) Захранващ кабел*	1
(L) Лента (само за свързване на Wi-Fi интерфейс)	2

* Забележка:

Монтирайте кабела за връзка между външно и вътрешно тяло (A) и захранващия кабел (K) поне на 1 m от кабела на телевизионната антена.

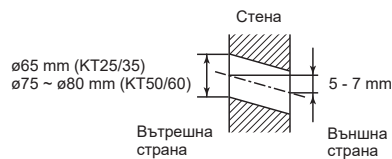
2. МОНТАЖ НА ВЪТРЕШНОТО ТЯЛО

2-1. ФИКСИРАНЕ НА МОНТАЖНАТА СКОБА НА ВЪТРЕШНОТО ТЯЛО

- Не монтирайте вътрешното тяло на място, по-високо от 150 mm.
- Намерете конструктивен елемент (като например профил) в стената и фиксирайте скобата (5) хоризонтално чрез фиксиращите винтове (6).
- За да предотвратите вибрирането на скобата (5), не забравяйте да монтирате фиксиращите винтове в отворите, посочени на илюстрацията. За допълнителна опора фиксиращи винтове могат да бъдат монтирани и в други отвори.

2-2. ПРОБИВАН Е В СТЕНАТА

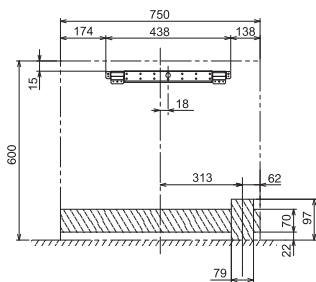
- 1) Определете мястото за пробиване в стената.
- 2) Пробийте отвор с диам. от 65 mm (диам. от 75 ~ 80 mm за KT50/60). Външната страна трябва да бъде 5 до 7 mm пониско от вътрешната страна.
- 3) Вкарайте маншона (С).



ПОЗИЦИИ НА ОТВОРИТЕ

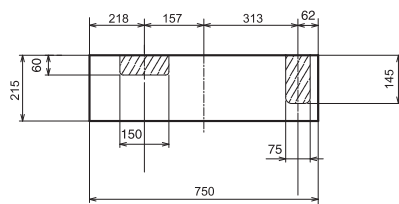
ЗА ЗАДНА ИЛИ ЛЯВА ЗАДНА ТРЪБА

(Фигурата по-долу представлява преден изглед на мястото на монтаж на вътрешното тяло.)

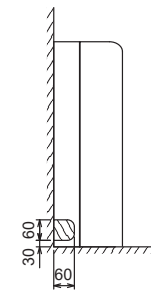


ЗА ДЯСНА НИЗХОДЯЩА ИЛИ ЛЯВА НИЗХОДЯЩА ТРЪБА

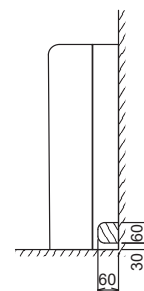
(Фигурата по-долу представлява изглед на долната част на вътрешното тяло, гледано отгоре.)



ЗА ЛЯВА ТРЪБА



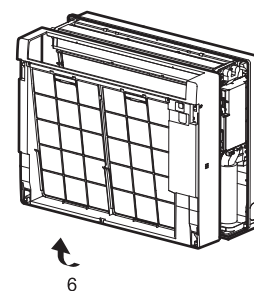
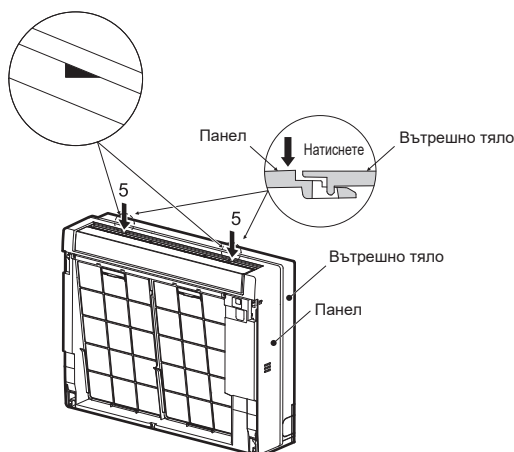
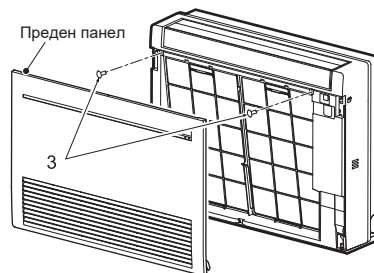
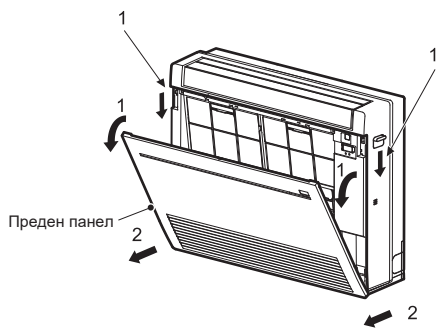
ЗА ДЯСНА ТРЪБА



2-3. ПОДГОТОВКА НА ВЪТРЕШНОТО ТЯЛО

Отстранете предния панел на вътрешното тяло.

- 1) Натиснете надолу щифта от двете страни на тялото, за да отворите предния панел.
- 2) Издърпайте предния панел към себе си, за да го отстраните.
- 3) Отстранете 2-та винта.
- 4) Отворете задната хоризонтална ламела.
- 5) Натиснете 2-те места в горната част на панела и след това издърпайте горната част на панела към себе си.
- 6) Отстранете панела, докато го повдигате нагоре (леко).



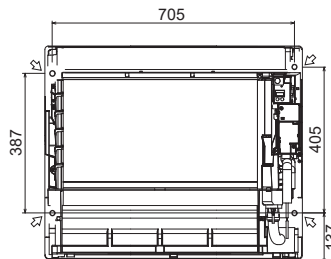
2-4. МОНТАЖ НА ВЪТРЕШНОТО ТЯЛО

2-4-1. МОНТИРАНЕ НА ВЪТРЕШНОТО ТЯЛО НА ПОДА

- 1) Поставете вътрешното тяло върху равен под.
- 2) Фиксирайте вътрешното тяло в 4 точки чрез включените в комплекта винтове за дърво (7) и шайби (8). Затегнете винтовете добре.

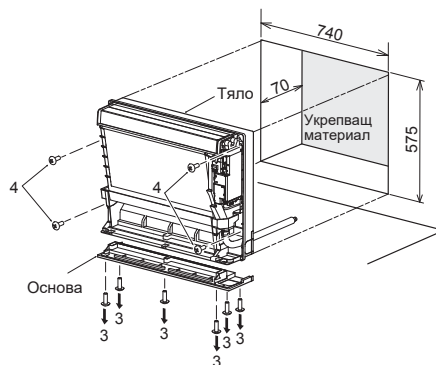
2-4-2. МОНТИРАНЕ НА ВЪТРЕШНОТО ТЯЛО НА СТЕНАТА

- 1) Закачете горната част на вътрешното тяло към монтажната скоба (5).
- 2) Фиксирайте вътрешното тяло в 4 точки чрез включените в комплекта винтове за дърво (7) и шайби (8). Затегнете винтовете добре.



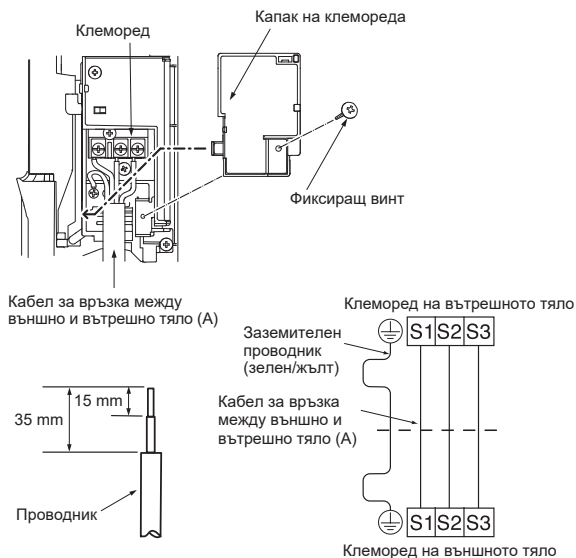
2-4-3. ВГРАЖДАНЕ НА ВЪТРЕШНОТО ТЯЛО В СТЕНА

- 1) Направете отвор в стената.
- 2) Като използвате укрепващ материал, коригирайте дълбочината.
- 3) Отстранете 6-те винта, които фиксират основата към тялото. Отстранете основата от тялото.
- 4) Фиксирайте вътрешното тяло в 4 точки чрез включените в комплекта винтове за дърво (7) и шайби (8). Затегнете винтовете добре.



2-5. ОКАБЕЛЯВАНЕ НА ВЪТРЕШНОТО ТЯЛО

- 1) Свалете капака на клеморедата.
- 2) Премахнете кабела за връзка между външно и вътрешно тяло (A) откъм гърба на вътрешното тяло и оголете краищата на проводника.
- 3) Разхлабете винтовете на клеморедата и свържете първо заземителния проводник, след това останалите проводници (A) към клеморедата. Внимавайте да не размените последователността на проводниците. Прикрепете кабела здраво към клеморедата, така че да няма оголени проводници, и да не оказва механично напрежение върху клемите.
- 4) Здраво затегнете винтовете, за да не се разхлабят. След затягането леко дръпнете проводниците, за да се уверите, че не мърдат.
- 5) Подсигурете кабела за връзка между външно и вътрешно тяло (A) и заземяващия проводник с капака на клеморедата. Не забравяйте да фиксирате капака с кука отляво. Здраво закрепете капака.



- Направете заземителния проводник малко по-дълъг от останалите. (повече от 45 mm)
- За по-лесно обслужване в бъдеще оставете допълнителна дължина на проводниците.
- Не прегъвайте допълнителната дължина на проводника и не я поставяйте в тесни пространства. Внимавайте да не повредите кабелите.
- Поставете отново всички винтове на местата им при укрепването на кабела и/или проводниците към клеморедата.

⚠ ПРЕДУПРЕЖДЕНИЕ

Когато монтирате тялото, закрепете здраво хладилните тръби, преди да стартирате компресора.

2-6. ОФОРМЯНЕ И МОНТАЖ НА ТРЪБИТЕ

Забележка: Вижте 3. КОНУСНА ВРЪЗКА, СВЪРЗВАНЕ НА ТРЪБИТЕ.

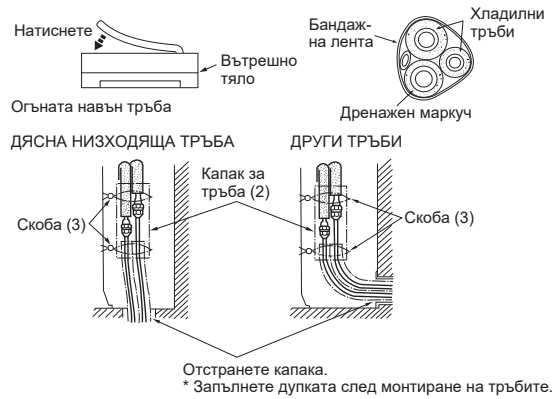
Оформяне на тръбите

- Прекарайте дренажния маркуч диагонално под свързващите тръби.
- Уверете се, че дренажният маркуч не се насочва нагоре и че няма нагвания в маркуча.
- Не дърпайте маркуча, докато поставите лентата.
- Прекарайте тръбите по такъв начин, че да не стърчат извън задната част на вътрешното тяло. (Вижте фигурата вдясно.)

Монтаж на свързващата тръба

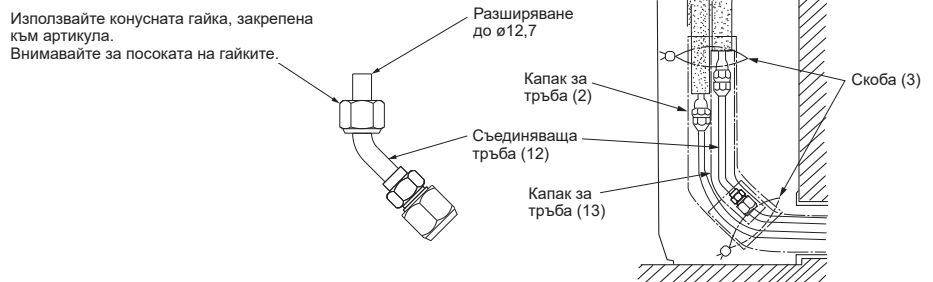
- Монтирайте свързващите тръби по такъв начин, че тръбите да могат да се движат леко напред, назад, наляво и надясно.
- Когато капакът е свален, погрижете се тръбите да бъдат покрити, така че след монтирането им да не са видими в помещението.
- Запълнете дупката след монтиране на тръбите.

- Непременно изолирайте свързващите тръби по такъв начин, че да нямат контакт с панела.
- Внимавайте да не смачкате свързващите тръби при огъването им.



За MFZ-KT60

- Задължително използвайте съединяващата тръба (12), в противен случай удължителната тръба $\varnothing 15,88$ няма да може да се закрепи.
- Разширете края на съединяващата тръба (12) до $\varnothing 12,7$ и закрепете капака за тръба (13).



ЗА ЛЯВА ИЛИ ЛЯВА ЗАДНА ТРЪБА

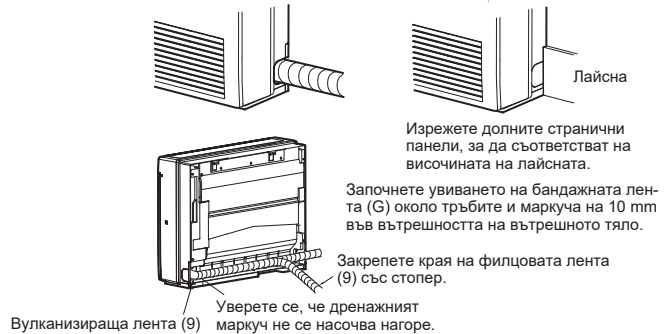
Хванете свързващите тръби и дренажния маркуч заедно и след това ги увийте във филцова лента (9).

Срежете и използвайте долните странични панели от лявата и дясната страна на вътрешното тяло, както е показано по-долу.

Загладете отрязаните ръбове на страничните панели, така че да не могат да повредят изолационното покритие.

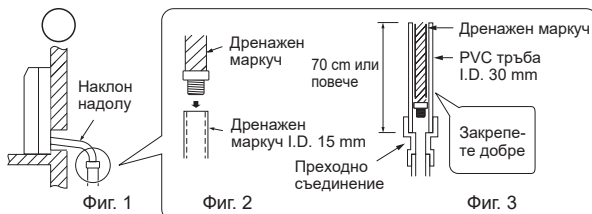
- За лява или дясна тръба
- Монтиране плътно до стената с лайсна

Увийте филцовата лента (9) плътно около тръбите и маркуча, като започнете близо до мястото, където тръбите и маркучът излизат от вътрешното тяло. (Ширината на припокриване на филцовата лента (9) трябва да е повече от 1/2 от ширината на лентата.)

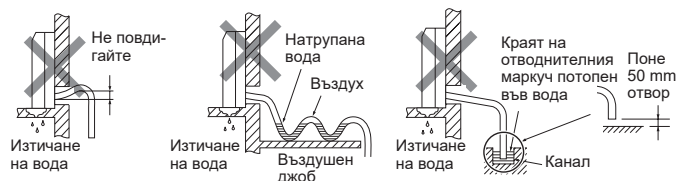


2-7. ОТВОДНИТЕЛЕН ТРЪБОПРОВОД

- В случай че отводнителният маркуч трябва да премине през стая, не забравяйте да го поставите в изолация.
- За лесно оттичане дренажният маркуч трябва да има достатъчен наклон. (Фиг. 1)
- В случай че дренажният маркуч, доставен с вътрешното тяло, е твърде къс, го удължете с дренажен маркуч (J), продаван на местния пазар. (Фиг. 2)
- Използвайте лента или друг материал, за да херметизирате връзката между дренажния маркуч на продукта и удължителния дренажен маркуч (вътрешен диаметър 16 mm) (J).
- Когато свързвате дренажния маркуч към PVC тръба, не забравяйте да го закрепите здраво за тръбата. (Фиг. 3)

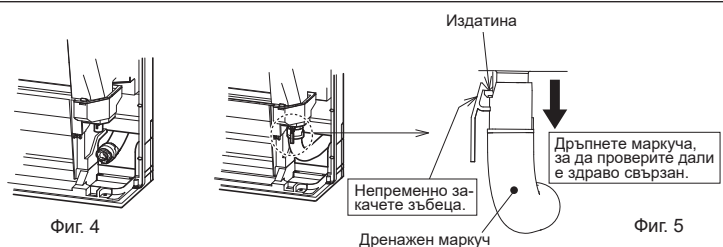


Не полагайте тръбопровода по начина, показан по-долу!



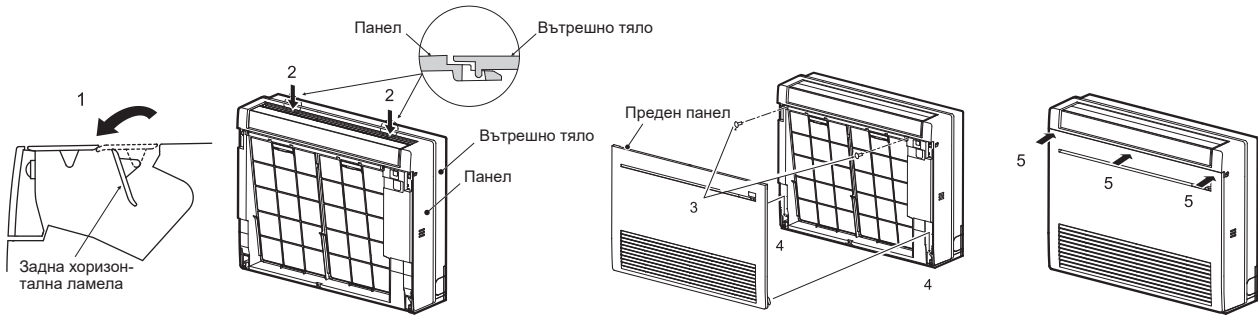
Дренажният маркуч е премахнат при монтажа.

- При прекарване на дренажните тръби се уверете, че дренажният маркуч (1) е поставен по показания начин. (Фиг. 4)
- Вкарайте дренажния маркуч изцяло до основата на дренажната вана (края на връзката). (Фиг. 5)
- Уверете се, че зъбецът на дренажния маркуч е добре закачен върху издатината на фитинга за маркуча на дренажната вана.
- След свързването на дренажния маркуч не забравяйте да дръпнете маркуча, за да проверите дали е свързан здраво.



2-8. МОНТИРАНЕ НА ПРЕДНИЯ ПАНЕЛ

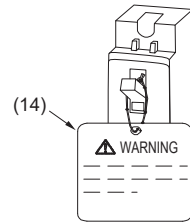
- 1) Отворете задната хоризонтална ламела.
- 2) Прикрепете панела. Уверете се, че зъбците са закачени.
- 3) Закрепете панела с винтове.
- 4) Вкарайте долната част на предния панел.
- 5) Натиснете трите места на горната част на предния панел, за да го затворите.



2-9. КАК СЕ ПРИКАЧВА ЕТИКЕТ И ОБЯСНЕНИЕ

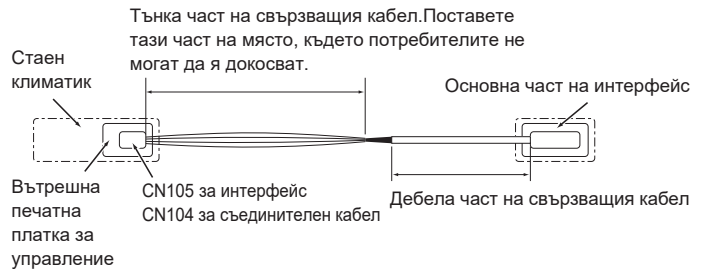
Защитният прекъсвач трябва винаги да бъде включен, с изключение на случаите, в които се изпълняват техническа поддръжка и инспекция. Окачете придружаващия етикет (14) или (15) на защитния прекъсвач и го разяснете на клиентите. Когато прекъсвачът се изключи, към сензора за хладилен агент, монтиран на вътрешното тяло, не се подава захранване и няма да може да се засече теч на хладилен агент.

Забележка: Когато вътрешното и външното тяло са свързани към отделно захранване, окачете придружаващия етикет (14) или (15) на защитния прекъсвач от страната на вътрешното тяло и го разяснете на потребителите.



2-10. СВЪРЗВАНЕ НА ИНТЕРФЕЙС (ОПЦИЯ)/СЪЕДИНИТЕЛЕН КАБЕЛ (ОПЦИЯ) КЪМ КЛИМАТИКА

- Свържете интерфейс/соединителен кабел към вътрешната печатна платка за управление на климатика с помощта на свързващ кабел.
- Срязването или удължаването на свързващия кабел на интерфейс/соединителния кабел води до дефекти в свързването. Не привързвайте на сноп свързващия кабел заедно със захранващ кабел, кабел за връзка между външно и вътрешно тяло и/или заземяващ проводник. Оставете възможно най-голямо разстояние между свързващия кабел и тези кабели.
- Тънката част на свързващия кабел трябва да се съхранява и поставя на места, където потребителите не могат да я докоснат.

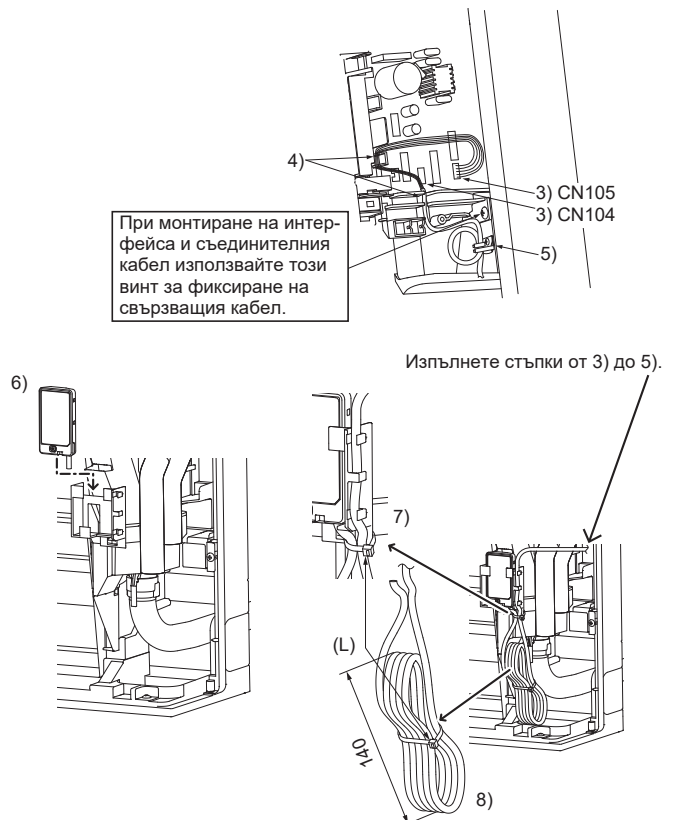


- 1) Отстранете панела.
- 2) Отворете капака на вътрешната печатна платка за управление.
- 3) Свържете свързващия кабел към CN105 и/или CN104 на вътрешната печатна платка за управление.
- 4) Прокарайте свързващия кабел през тази точка на фигурата.
- 5) Прикрепете кабелната скоба, предоставена с интерфейс/соединителния кабел, към дебелата част на свързващия кабел с помощта на винт 4 x 16, както е показано на фигурата.
- 6) Затворете капака на вътрешната печатна платка за управление. Внимавайте да не притиснете тънката част на свързващия кабел с капака. Поставете отново панела.

Забележка:

При свързване на Wi-Fi интерфейса (опция) монтирайте го в държача, както е показано на фигурата. Регулирайте дължината на кабела и го навийте, както е показано на фигурата.

- 1) Отстранете панела.
- 2) Отворете капака на вътрешната печатна платка за управление.
- 3) Свържете свързващия кабел към CN105 на вътрешната печатна платка за управление.
- 4) Прокарайте свързващия кабел през тази точка на фигурата.
- 5) Прикрепете кабелната скоба, предоставена с интерфейс/соединителния кабел, към дебелата част на свързващия кабел с помощта на винт 4 x 16, както е показано на фигурата.
- 6) Поставете Wi-Fi интерфейса в държача.
- 7) Поставете свързващия кабел в държача, след това го закрепете с лентата (L).
- 8) Завържете излишния кабел с лентата (L). Навитата част трябва да бъде около 140 mm.
- 9) Затворете капака на вътрешната печатна платка за управление. Внимавайте да не захванете тънката част на свързващия кабел в капака. Поставете отново панела.



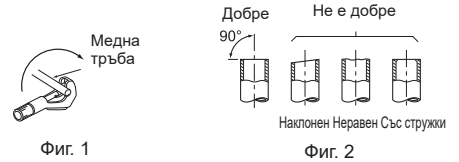
⚠ ПРЕДУПРЕЖДЕНИЕ

Закрепете свързващия кабел здраво в посочената позиция. Неправилният монтаж може да доведе до токов удар, пожар и/или повреда.

3. КОНУСНА ВРЪЗКА, СВЪРЗВАНЕ НА ТРЪБИТЕ

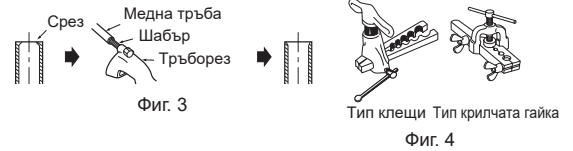
3-1. РАЗВАЛЦОВКА

- Внимателно срежете медната тръба с тръборез. (Фиг. 1, 2)
- Почистете грапавините на среза с шабър. (Фиг. 3)
 - Поставете края на медната тръба надолу, докато я почиствате, за да не паднат стружки в тръбите.
- Отвийте конусните гайки от външното и вътрешното тяло, после ги поставете на тръбите, след като сте приключили с почистването. (Невъзможно е да се поставят след развалцовката.)
- Развалцовка (Фиг. 4, 5). Здраво фиксирайте медната тръба в съответния отвор на конусната дъска. Изберете A mm от таблицата в зависимост от инструмента, който използвате.
- Проверете:
 - Сравнете развалцовката с Фиг. 6.
 - Ако конусът е отбелязан като дефектен, го срежете и го развалцовайте отново.



Фиг. 1

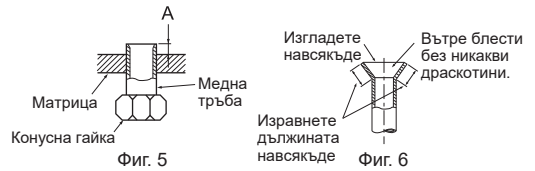
Фиг. 2



Фиг. 3

Фиг. 4

Диаметър на тръбата (mm)	Гайка (mm)	A (mm)			Сила на затягане	
		Тип клещи за R32, R410A	Тип клещи за R22	Тип крилчатата гайка за R22	N•m	kgf•cm
ø6,35 (1/4")	17	0 до 0,5	1,0 до 1,5	1,5 до 2,0	14 до 18	140 до 180
ø9,52 (3/8")	22			34 до 42	340 до 420	
ø12,7 (1/2")	26			2,0 до 2,5	49 до 61	490 до 610
ø15,88 (5/8")	29			-	68 до 82	680 до 820



Фиг. 5

Фиг. 6

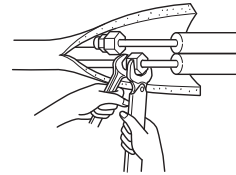
3-2. СВЪРЗВАНЕ НА ТРЪБИТЕ

- Закрепете конусната гайка с динамометричен ключ, както е показано в таблицата.
- В случай че е твърде затегната, тя може да се счупи след дълъг период от време и да причини теч на хладилен агент.
- Не забравяйте да поставите тръбите в изолация. Директният контакт с оголени тръби може да причини изгаряне или измръзване.

Свързване на вътрешното тяло

Свържете тръбата за течност и тръбата за газ към вътрешното тяло.

- Не нанасяйте хладилно масло върху резбата на винтовете. Прекомерната сила на затягане ще доведе до повреда на винта.
- За да свържете, първо подравнете центъра, след което затегнете на ръка с 3 до 4 оборота конусната гайка.
- Използвайте таблицата със сила на затягане по-горе като ориентир за свързване на съединенията на вътрешното тяло и затегнете, като използвате два гаечни ключа. Прекаленото затягане поврежда конуса.



⚠ ПРЕДУПРЕЖДЕНИЕ

Когато монтирате тялото, закрепете здраво хладилните тръби, преди да стартирате компресора.

⚠ ПРЕДУПРЕЖДЕНИЕ

Механични конектори за многократна употреба и развалцованите съединения, не са разрешени на закрито.

Когато свързвате тръбите за охлаждащия агент чрез спояване с твърд припой, вместо използване на развалцовани връзки, извършете всички действия по спояване, преди да свържете вътрешното тяло към външното тяло.

4. ПРОБНО ПУСКАНЕ В ДЕЙСТВИЕ

4-1. ПРОБНО ПУСКАНЕ В ДЕЙСТВИЕ

Уверете се, че е направено следното.

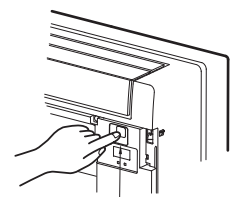
- Панелът е поставен правилно.
- Вътрешното и външното тяло са монтирани правилно и се захранват.

- Натиснете E.O. SW веднъж за охлаждане (COOL) и два пъти за отопление (HEAT). Пробното пускане в действие ще продължи 30 мин. Ако лявата лампичка на индикатора светва на всеки 0,5 секунди, проверете връзката между външното и вътрешното тяло (A) за неправилно окабеляване. След пробното пускане в действие ще стартира аварийен режим (24°C).
- За да прекратите операцията, натиснете E.O. SW няколко пъти, докато всички LED индикатори се изключат. Повече информация можете да намерите в ръководството за експлоатация.

Проверка на дистанционното (инфракчервеното) приемане на сигнала

Натиснете бутона за включване/изключване (ON/OFF) на устройството за дистанционно управление (10) и се уверете, че чувате електронен звук от вътрешното тяло. Отново натиснете бутона за включване/изключване (ON/OFF), за да изключите климатика.

- Когато компресорът спре, защитата от често стартиране работи, така че компресорът няма да функционира в продължение на 3 минути, за да предпази климатика.



Бутон за аварийен режим (E.O. SW)

4-2. ФУНКЦИЯ ЗА АВТОМАТИЧНО РЕСТАРТИРАНЕ

Този продукт е снабден с функция за автоматично рестартиране. Когато захранването спре по време на работа, като например при спиране на тока, функцията автоматично включва климатика с предишните настройки веднага щом захранването бъде възстановено. (Повече информация можете да намерите в ръководството за експлоатация.)

Внимание:

- След пробно пускане в действие или проверка на сигнала на дистанционното управление изключете тялото от E.O. SW или от устройството за дистанционно управление, преди да изключите захранването. В случай че не го направите, тялото автоматично ще се включи след повторно включване на захранването.

За потребителя

- След като монтирате тялото не забравяйте да запознаете потребителя с функцията за рестартиране.
- Ако функцията за автоматично рестартиране не е нужна, може да бъде деактивирана. Консултирайте се със сервизен представител относно деактивирането на функцията. Повече информация можете да намерите в сервизния наръчник.

4-3. ОБЯСНЕНИЕ ЗА ПОТРЕБИТЕЛЯ

- С помощта на РЪКОВОДСТВОТО ЗА ЕКСПЛОАТАЦИЯ разяснете на потребителя как да използва климатика (как да си служи с устройството за дистанционно управление, как да почиства въздушните филтри, как да поставя или изважда устройството за дистанционно управление от неговия държач, обяснете за почистването, предпазните мерки при работа и т.н.).
- Посъветвайте клиента да прочете внимателно РЪКОВОДСТВОТО ЗА ЕКСПЛОАТАЦИЯ.

5. ИЗПОМПВАНЕ

Вижте процедурите, посочени в ръководството за монтаж на външното тяло.

ПРЕДУПРЕЖДЕНИЕ

Когато във веригата за хладилен агент има теч, не извършвайте изпомпване с компресора. Когато изпомпвате хладилния агент, спрете компресора, преди да откачите хладилните тръби. Компресорът може да избухне, ако въздух и т.н. проникне в него.

SPIS TREŚCI

1. PRZED ROZPOCZĘCIEM INSTALACJI.....	1
2. INSTALACJA JEDNOSTKI WEWNĘTRZNEJ.....	4
3. POŁĄCZENIE KIELICHOWE, ŁĄCZENIE RUR.....	8
4. PRACA PRÓBNA.....	8
5. ODPOMPOWYWANIE.....	9

Nazwy modeli zostały podane w punkcie 1-3.





Niniejsza instrukcja montażu zawiera tylko opis instalacji jednostki wewnętrznej. Opis konfiguracji jednostek zewnętrznych można znaleźć w instrukcji montażu jednostki zewnętrznej.

Narzędzia potrzebne do instalacji

Śrubokręt krzyżakowy	Kielichownica do R32, R410A
Poziomnica	Przyłącze manometru do R32, R410A
Waga	Pompa próżniowa do R32, R410A
Nóż lub nożyczki	Wąż do uzupełniania czynnika R32, R410A
Piła walcowa 75 mm	Obcinak do rur z rozwiertakiem
Klucz dynamometryczny	Butelka wody 0,9–1,0 l
Klucz maszynowy	

1. PRZED ROZPOCZĘCIEM INSTALACJI

ZNACZENIE SYMBOLI WYŚWIETLANYCH NA JEDNOSTCE WEWNĘTRZNEJ I/LUB JEDNOSTCE ZEWNĘTRZNEJ

	OSTRZEŻENIE (Ryzyko pożaru)	Urządzenie wykorzystuje łatwopalny czynnik chłodniczy. W razie wycieku i kontaktu czynnika chłodniczego z ogniem lub elementem grzejnym powstanie szkodliwy gaz i wystąpi ryzyko pożaru.
		Przed przystąpieniem do obsługi należy uważnie przeczytać INSTRUKCJĘ OBSŁUGI.
		Personel serwisowy ma obowiązek uważnie przeczytać INSTRUKCJĘ OBSŁUGI i INSTRUKCJĘ MONTAŻU przed przystąpieniem do obsługi.
		Dodatkowe informacje można znaleźć w INSTRUKCJI OBSŁUGI, INSTRUKCJI MONTAŻU itp.

1-1. ZASADY BEZPIECZEŃSTWA

- Przed instalacją klimatyzatora należy zapoznać się z częścią „ZASADY BEZPIECZEŃSTWA”.
- Należy stosować się do podanych uwag i ostrzeżeń, ponieważ zawierają one ważne informacje dotyczące bezpieczeństwa.
- Po przeczytaniu niniejszej instrukcji należy przechować ją wraz z INSTRUKCJĄ OBSŁUGI do późniejszych konsultacji.

⚠ OSTRZEŻENIE (Może prowadzić do śmierci, poważnych obrażeń ciała itp.)

- **Użytkownik nie powinien samodzielnie instalować urządzenia.**
Niekompletna instalacja może spowodować pożar lub porażenie prądem elektrycznym, odniesienie obrażeń ciała w wyniku upadku urządzenia lub wyciek wody. Skontaktować się ze sprzedawcą urządzenia lub z wykwalifikowanym instalatorem.
- **Wykonać instalację, stosując się ściśle do treści instrukcji montażu.**
Niekompletna instalacja może spowodować pożar lub porażenie prądem elektrycznym, odniesienie obrażeń ciała w wyniku upadku urządzenia lub wyciek wody.
- **Ze względów bezpieczeństwa podczas instalacji urządzenia należy używać odpowiedniego sprzętu ochronnego i narzędzi.**
W przeciwnym razie można odnieść obrażenia ciała.
- **Urządzenie należy bezpiecznie zainstalować w miejscu, które wytrzyma jego ciężar.**
Jeśli miejsce instalacji nie utrzyma ciężaru urządzenia, urządzenie może spaść, powodując obrażenia ciała.
- **Prace elektryczne powinny zostać wykonane przez wykwalifikowanego, doświadczonego elektryka, zgodnie z instrukcją montażu. Należy zapewnić oddzielny obwód zasilania. Nie podłączać do obwodu zasilania innych urządzeń elektrycznych.**
Jeśli moc obwodu zasilania jest niewystarczająca lub instalacja elektryczna jest niekompletna, może to doprowadzić do pożaru lub porażenia prądem elektrycznym.
- **Prawidłowo uziemienie urządzenia.**
Nie podłączać uziemienia do rur gazowych ani wodnych, instalacji odgromowej ani do telefonicznego przewodu uziemiającego. Wadliwe uziemienie może spowodować porażenie prądem elektrycznym.
- **Nie dopuszczać do uszkodzenia przewodów przez nadmierny nacisk ze strony części lub śrub.**
Uszkodzone przewody mogą spowodować pożar lub porażenie prądem elektrycznym.
- **Przed instalacją karty sterownika lub przewodów jednostki wewnętrznej należy wyłączyć główne zasilanie.**
W przeciwnym razie może dojść do porażenia prądem elektrycznym.
- **W celu bezpiecznego podłączenia jednostek wewnętrznych i zewnętrznych należy stosować określone przewody, starannie podłączając je do listwy zaciskowej, aby napięcie przewodów nie było przenoszone na zaciski. Nie przedłużać przewodów ani nie stosować podłączeń pośrednich.**
Niepełne podłączenie i mocowanie może spowodować pożar.
- **Nie instalować urządzenia w miejscu ulatniania się gazów łatwopalnych.**
Ulatnianie i gromadzenie się gazu wokół urządzenia może spowodować wybuch.
- **Nie stosować podłączenia pośredniego przewodu zasilającego albo przedłużacza i nie podłączać wielu urządzeń do jednego gniazda sieciowego.**
Może to spowodować pożar lub porażenie prądem elektrycznym z powodu uszkodzenia kontaktu, izolacji, przekroczenia dopuszczalnej wartości prądu itp.
- **Korzystać z części dostarczonych lub przeznaczonych do wykonywania prac instalacyjnych.**
Zastosowanie uszkodzonych części może spowodować obrażenia ciała lub wyciek wody w wyniku pożaru, porażenia prądem elektrycznym, upadku jednostki itp.
- **Podłączając wtyczkę przewodu zasilającego do gniazda należy upewnić się, że w gnieździe i na wtyczce nie ma kurzu, ciał obcych ani poluzowanych części. Starannie umieścić wtyczkę przewodu zasilającego w gnieździe.**
Obecność kurzu, ciał obcych lub poluzowanych części w gnieździe lub na wtyczce może spowodować porażenie prądem elektrycznym lub pożar. W razie stwierdzenia poluzowanych części na wtyczce przewodu zasilającego, należy ją wymienić.
- **Starannie zamontować pokrywę części elektrycznej jednostki wewnętrznej oraz panel serwisowy jednostki zewnętrznej.**
Jeśli pokrywa części elektrycznej jednostki wewnętrznej i/lub panel serwisowy jednostki zewnętrznej nie zostaną starannie zamocowane, może to spowodować pożar lub porażenie prądem elektrycznym w wyniku kontaktu z kurzem, wodą itp.
- **Podczas instalowania, przestawiania lub serwisowania urządzenia należy dopilnować, aby do obiegu czynnika chłodniczego nie dostała się żadna inna substancja niż określony czynnik chłodniczy (R32/R410A).**
Obecność obcej substancji, na przykład powietrza, może spowodować nietypowy wzrost ciśnienia, prowadząc do wybuchu lub obrażeń ciała. Zastosowanie innego czynnika chłodniczego niż określony dla tego układu spowoduje uszkodzenia mechaniczne, awarię układu lub uszkodzenie urządzenia. W najgorszym przypadku może to doprowadzić do poważnego naruszenia bezpieczeństwa produktu.
- **Nie wykonywać żadnych przeróbek urządzenia.**
Może to spowodować pożar, porażenie prądem elektrycznym, obrażenia ciała lub wyciek wody.
- **Czynnik chłodniczy nie wolno wypuszczać do atmosfery. Jeśli podczas instalacji dojdzie do ulatniania się czynnika chłodniczego w stanie gazowym, należy przewentylować pomieszczenie. Po zakończeniu instalacji należy sprawdzić, czy czynnik chłodniczy nie ulatnia się.**
W razie wycieku i kontaktu czynnika chłodniczego z ogniem lub elementem grzejnym, na przykład z nagrzewnicą, piecykiem naftowym lub kuchenką, powstanie szkodliwy gaz. Należy zapewnić wentylację zgodnie z normą EN378-1.
- **Używać odpowiednich narzędzi i rur do instalacji.**
Ciśnienie czynnika chłodniczego R32/R410A jest o 1,6 raza wyższe, niż czynnika R22. Używanie nieodpowiednich narzędzi lub materiałów i niekompletna instalacja może spowodować rozzerwanie rur lub obrażenia ciała.
- **W przypadku nieszczelności obiegu chłodzącego, nie wolno przeprowadzać odpompowania za pomocą sprężarki. Podczas odpompowywania czynnika chłodniczego, przed odłączeniem rur czynnika chłodniczego należy wyłączyć sprężarkę.**
Jeśli rury czynnika chłodniczego zostaną odłączone podczas działania sprężarki, a zawór odcinający będzie otwarty, może dojść do wciągnięcia powietrza i nietypowego wzrostu ciśnienia w obiegu chłodniczym. Mogłoby to spowodować rozzerwanie rur lub obrażenia ciała.
- **W zależności od miejsca instalacji należy zainstalować wyłącznik różnicowoprądowy.**
Jeśli wyłącznik różnicowoprądowy nie zostanie zainstalowany, może dojść do porażenia prądem elektrycznym.
- **Podczas instalacji urządzenia, przed uruchomieniem sprężarki należy starannie podłączyć rury czynnika chłodniczego przy otwartym zaworze odcinającym może spowodować wciągnięcie powietrza i nietypowy wzrost ciśnienia w obiegu chłodniczym. Mogłoby to spowodować rozzerwanie rur lub obrażenia ciała.**
- **Dokręcać nakrętki kielichowe kluczem dynamometrycznym zgodnie z niniejszą instrukcją.**
Zbyt mocne dokręcenie może spowodować uszkodzenie nakrętek kielichowych po pewnym czasie i ulatnianie się czynnika chłodniczego.
- **Urządzenie należy zainstalować zgodnie z krajowymi przepisami dotyczącymi instalacji elektrycznych.**
- **Używając palnika gazowego lub innych urządzeń wytwarzających płomień, należy całkowicie usunąć czynnik chłodniczy z klimatyzatora i zadbać o dobrą wentylację pomieszczenia.**
W razie wycieku i kontaktu czynnika chłodniczego z ogniem lub elementem grzejnym powstanie szkodliwy gaz i wystąpi ryzyko pożaru.
- **Nie stosować środków przyspieszających proces odszraniania ani czyszczących innych niż zalecane przez producenta.**
- **Urządzenie należy przechowywać w pomieszczeniu, w którym nie występują stale działające źródła zapłonu (na przykład: otwarty płomień, działające urządzenie gazowe lub działający grzejnik elektryczny).**
- **Nie przebiegać ani nie palić.**
- **Należy mieć świadomość, że czynniki chłodnicze mogą nie mieć zapachu.**
- **Przewody rurowe należy zabezpieczyć przed uszkodzeniem.**
- **Ograniczyć instalację przewodów rurowych do minimum.**
- **Należy przestrzegać krajowych przepisów dotyczących gazu.**
- **Nie zasłaniać żadnych wymaganych otworów wentylacyjnych.**
- **W miejscu montażu, naprawy lub innych prac przy klimatyzatorze nie powinny znajdować się urządzenia gazowe, grzejniki elektryczne ani inne źródła ognia (źródła zapłonu).**
- **Urządzenie należy przechowywać w pomieszczeniu o dobrej wentylacji, którego powierzchnia jest zgodna z zaleceniami dotyczącymi pracy.**
- **Nie należy wyłączać wyłącznika różnicowoprądowego, chyba że pojawi się zapach spalenizny albo zaplanowano przegląd lub konserwację.**
Czynnik chłodniczy zamontowany w jednostce wewnętrznej nie może być zasilany i nie może wykryć wycieku czynnika chłodniczego. Może to spowodować pożar.
- **Starannie przymocować kabel połączeniowy we wskazanym miejscu.**
Nieprawidłowa instalacja może spowodować porażenie prądem elektrycznym, pożar i/lub nieprawidłowe działanie.

⚠ PRZESTROGA (Może prowadzić do poważnych obrażeń ciała w określonych warunkach w razie nieprawidłowej obsługi).**■ Starannie podłączyć przewody spustowe, zgodnie z instrukcją montażu.**

W razie awarii przewodów spustowych, woda może kapać z urządzenia, powodując zamoczenie i uszkodzenie przedmiotów domowych.

■ Nie dotykać wlotu powietrza ani aluminiowych żeber jednostki zewnętrznej.

Może to spowodować obrażenia ciała.

■ Dotykając podstawy jednostki zewnętrznej, należy nosić sprzęt ochronny.

W przeciwnym razie można odnieść obrażenia.

■ Nie instalować jednostki zewnętrznej w miejscach zamieszkiwanych przez małe zwierzęta.

Dostanie się do środka urządzenia i kontakt małych zwierząt z częściami elektrycznymi może spowodować nieprawidłowe działanie, wydzielanie dymu lub pożar. Poinformować użytkownika, że obszar wokół urządzenia należy utrzymywać w czystości.

■ Nie uruchamiać klimatyzatora podczas prac budowlanych lub wykończeniowych w pomieszczeniu albo podczas woskowania podłogi.

Przed uruchomieniem klimatyzatora należy dokładnie wywietrzyć pomieszczenie po zakończeniu takich prac. W przeciwnym razie cząstki lotne mogą przywierać wewnątrz klimatyzatora, powodując wyciek wody lub rośnienie.

■ Nie instalować urządzenia w miejscu, które może wypełnić się dymem, gazem lub środkiem medycznym (lekarstwami).

Czujnik czynnika chłodniczego zamontowany w jednostce wewnętrznej może na nie zareagować i wyświetlić błąd wycieku czynnika chłodniczego.

■ Należy uważać na obracający się wentylator, kiedy wyłącznik różnicowoprądowy jest włączony.

Kiedy czujnik czynnika chłodniczego wykryje wyciek czynnika chłodniczego, wentylator automatycznie zaczyna się obracać. Może to spowodować obrażenia ciała.

■ Używając jakichkolwiek aerozoli do wewnętrznych prac budowlanych, prac wykończeniowych lub uszczelniania otworów w ścianie, należy wyłączyć wyłącznik różnicowoprądowy i dokładnie przewietrzyć pomieszczenie.

Czujnik czynnika chłodniczego może zareagować na gaz w aerozolu, powodując fałszywy alarm.

1-2. WYBÓR MIEJSCA INSTALACJI

Niniejsza instrukcja zawiera tylko opis instalacji jednostki wewnętrznej.

W przypadku instalowania jednostki zewnętrznej należy odnieść się do instrukcji montażu jednostki zewnętrznej.

JEDNOSTKA WEWNĘTRZNA**⚠ ⚠ OSTRZEŻENIE**

Urządzenie należy instalować w pomieszczeniach o powierzchni większej od podanej w instrukcji montażu jednostki zewnętrznej.

- Patrz instrukcja montażu jednostki zewnętrznej.

Miejsce montażu jednostek wewnętrznych powinno spełniać następujące warunki:

- Miejsce, w którym przepływ powietrza nie będzie zablokowany.
- Miejsce, w którym zimne (lub ciepłe) powietrze może rozchodzić się po całym pomieszczeniu.
- Sztywna ściana, która nie przenosi drgań.
- Miejsce, w którym urządzenie nie będzie narażone na bezpośrednie nasłonecznienie. Urządzenie należy chronić przed bezpośrednim nasłonecznieniem także w okresie między rozpakowaniem i przekazaniem do eksploatacji.
- Miejsce, z którego łatwo odprowadzić skropliny.
- W odległości 1 m lub większej od odbiorników telewizyjnych i radiowych. Praca klimatyzatora może zakłócać odbiór sygnałów radiowych lub telewizyjnych. Dane urządzenie może wymagać wzmacniacza.
- Miejsce maksymalnie oddalone od lamp fluorescencyjnych i żarówek. Umożliwi to sprawną obsługę klimatyzatora za pomocą pilota na podczerwień. Ciepło od lamp może powodować odkształcenia, a światło ultrafioletowe uszkodzenia.
- Miejsce, które umożliwi łatwy demontaż i wymianę filtra powietrza.
- Miejsce oddalone od innych źródeł ciepła lub pary.
- Nie należy instalować urządzenia w miejscach, gdzie są używane urządzenia gazowe, na przykład na propan, butan lub metan, aerozole owadobójcze, urządzenia generujące dym, farby, gdzie używane są lekarstwa, ani w miejscach wytwarzania gazu na bazie siarki.
- Czujnik czynnika chłodniczego zamontowany w jednostce wewnętrznej może na nie zareagować i wyświetlić błąd wycieku czynnika chłodniczego. Może to spowodować zaprzestanie działania urządzenia.

PILOT ZDALNEGO STEROWANIA

Poniżej przedstawiono preferowane warunki przechowywania pilota zdalnego sterowania:

- Miejsce, które umożliwi prostą obsługę i jest dobrze widoczne.
- Miejsce poza zasięgiem dzieci.
- Wybrać miejsce mniej więcej 1,2 m nad podłogą i sprawdzić, czy sygnał z pilota jest prawidłowo odbierany przez jednostkę wewnętrzną z danego miejsca (słychać pojedynczy lub podwójny sygnał dźwiękowy).

Uwaga:

W pomieszczeniach, w których są używane lampy fluorescencyjne z inwerterem, sygnał z bezprzewodowego pilota zdalnego sterowania może nie być odbierany.

Uwaga:

Należy unikać wymienionych poniżej miejsc instalacji, które mogą powodować nieprawidłowe działanie klimatyzatora.

- Miejsca, w których mógłby ulatniać się łatwopalny gaz.
- Miejsca, w których znajduje się duża ilość oleju maszynowego.
- Miejsca, gdzie pryska olej lub gdzie występuje oleisty dym (na przykład kuchnie i fabryki, w których może dojść do uszkodzenia tworzyw sztucznych oraz zmiany ich właściwości).
- Miejsca o dużym zasoleniu powietrza, na przykład tereny nadmorskie.
- Miejsca występowania oparów związków siarki, na przykład gorące źródła czy ścieki.
- Miejsca występowania wysokich częstotliwości lub urządzeń bezprzewodowych.
- Miejsca występowania dużego stężenia lotnych związków organicznych, w tym związków ftalanów, formaldehydu itp., powodując kraking.
- Urządzenie powinno być przechowywane w taki sposób, aby zapobiec uszkodzeniom mechanicznym.

W przypadku podłączenia do jednostki zewnętrznej, która wykorzystuje czynnik chłodniczy R32, jednostkę wewnętrzną należy zainstalować w pomieszczeniu o minimalnej powierzchni podłogi Amin, odpowiadającej ilości M czynnika chłodniczego (czynnik chłodniczy napełniony fabrycznie + czynnik chłodniczy dodany na miejscu). Informacje na temat ilości czynnika chłodniczego i uzupełnienia czynnika chłodniczego, patrz jednostka zewnętrzna.

M [kg]	Amin [m ²]
1,00	
1,10	
1,20	
1,30	
1,40	
1,50	
1,60	
1,70	
1,80	
1,84	3,63
1,90	3,75
2,00	3,95
2,10	4,15
2,20	4,34
2,30	4,54
2,40	4,74

Informacje na temat uzupełnienia czynnika chłodniczego zawiera instrukcja montażu jednostki zewnętrznej.

1-3. DANE TECHNICZNE

Model	Zasilanie *1		Parametry przewodów *2	Średnica rur (grubość *3, *4, *5, *6)		Grubość izolacji *7, *8
	Napięcie znamionowe	Częstotliwość	Przewód łączący jednostkę wewnętrzną/zewnętrzną	Gaz	Ciecz	
MFZ-KT25VG	230 V	50 Hz	4-żyłowy 2,0 mm ²	ø9,52 mm (0,8 mm)	ø6,35 mm (0,8 mm)	14 mm
MFZ-KT35VG				ø12,7 mm (0,8 mm)		
MFZ-KT50VG				ø15,88 mm (0,8 mm)		
MFZ-KT60VG						

*1 Podłączyć do wyłącznika zasilania o przerwie stykowej 3 mm lub większej, aby umożliwić wyłączenie fazy źródła zasilania. (Kiedy wyłącznik zasilania jest wyłączony, powinien wyłączać wszystkie fazy).

*2 Używać przewodów zgodnych z normą 60245 IEC 57.

*3 Nie używać rur o grubości mniejszej niż podana. Spowoduje to niedostateczny opór ciśnienia.

*4 Używać rur miedzianych lub rur bezszwowych ze stopów miedzi.

*5 Uważać, aby nie zgnieć ani nie połamać rur podczas gięcia.

*6 Promień zginania rur czynnika chłodniczego musi wynosić 100 mm lub więcej.

*7 Materiał izolacyjny: Pianka izolacyjna ognioodporna, ciężar właściwy 0,045

*8 Użyć izolacji o podanej grubości. Nadmierna grubość może spowodować nieprawidłową instalację jednostki wewnętrznej, a zbyt mała grubość może spowodować skraplanie.

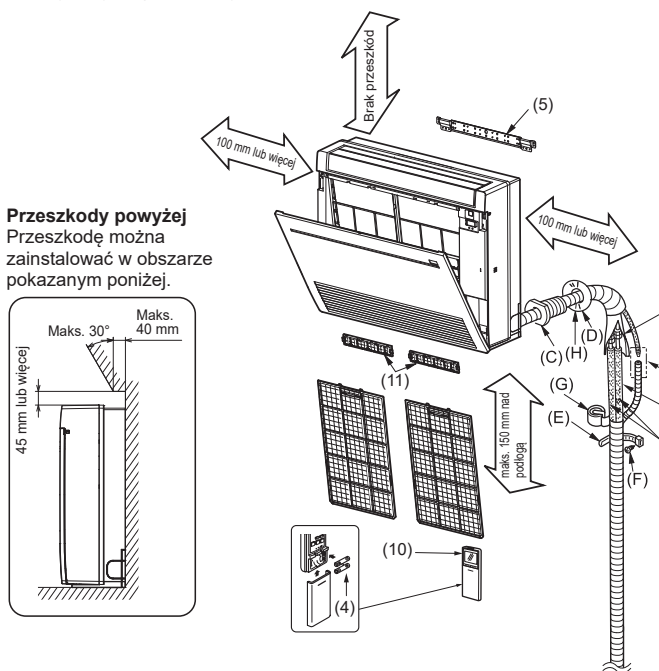
1-4. SCHEMAT INSTALACJI

Instalując jednostki zewnętrzne należy odnieść się do instrukcji montażu jednostki zewnętrznej.

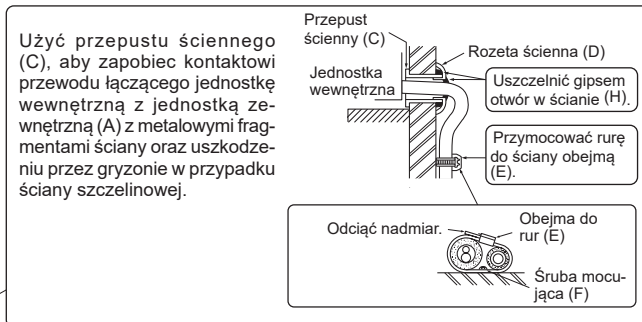
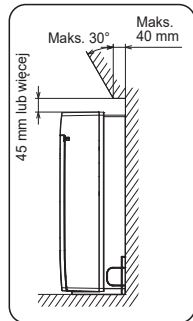
Tabela zawierająca specyfikację rur nie podaje minimalnej długości zadanej przewodów.

Jednak jednostki wewnętrzne, do których zostaną podłączone rury o długości mniejszej niż 3 m, mogą co pewien czas generować hałas podczas normalnej pracy systemu w bardzo cichym otoczeniu.

Należy mieć na uwadze tę ważną informację, montując i umieszczając jednostkę wewnętrzną w ograniczonej przestrzeni.



Przeszkody powyżej
Przeszkodę można zainstalować w obszarze pokazanym poniżej.



Po próbie szczelności należy ciasno zaizolować, aby nie było żadnych szczelin.

Zabezpieczyć część połączenia taśmami, aby zapobiec wyciekom wody.

Jeśli rury mają być przykręcone do ściany zawierającej elementy metalowe (ocynkowane) lub metalową siatkę, należy zastosować poddane obróbce chemicznej elementy drewniane o grubości min. 20 mm między ścianą a rurami lub owinać je winylową taśmą izolacyjną. Aby wykorzystać istniejące rury, należy uruchomić chłodzenie na 30 minut i odpompować przed usunięciem starego klimatyzatora. Odtworzyć połączenie kielichowe zgodnie z wymiarami dla nowego czynnika chłodniczego.

OSTRZEŻENIE

Aby uniknąć ryzyka pożaru, należy zbudować lub zabezpieczyć rury czynnika chłodniczego. Zewnętrzne uszkodzenie rur czynnika chłodniczego może być przyczyną pożaru.

Urządzenia powinien zainstalować uprawniony wykonawca zgodnie z wymogami lokalnego prawa.

AKCESORIA

Przed instalacją należy sprawdzić następujące części.

(1) Wąż spustowy*	1
(2) Osłona rur	1
(3) Opaska	2
(4) Bateria (AAA) do (10)	2
(5) Uchwyt montażowy jednostki wewnętrznej	1
(6) Śruba mocująca do (5) 4 × 25 mm	5
(7) Wkręt do drewna do montażu jednostki wewnętrznej	4
(8) Podkładka (7)	4
(9) Taśma filcowa (rury po lewej lub z tyłu po lewej)	1
(10) Bezprzewodowy pilot zdalnego sterowania	1
(11) Filtr oczyszczający powietrze	2
(12) Rura połączeniowa (tylko KT60)	1
(13) Osłona rur rury połączeniowej (tylko KT60)	1
(14) Etykieta wyłącznika różnicowoprądowego	1
(15) Informacja wyłącznika różnicowoprądowego	1

* Uwaga:

Wąż spustowy jest podłączony do urządzenia.

CZĘŚCI DO NABYCIA WE WŁASNYM ZAKRESIE

(A) Przewód łączący jednostkę wewnętrzną z jednostką zewnętrzną*	1
(B) Rura przedłużająca	1
(C) Przepust ścienny	1
(D) Rozeta ścienna	1
(E) Opaska rurowa	2 do 5
(F) Śruba mocująca do (E) 4 × 20 mm	2 do 5
(G) Taśma do rur	1
(H) Kit	1
(J) Wąż spustowy (lub przewód z miękkiego PVC, śr. wew. 15 mm lub rura z twardego PVC VP16)	1 lub 2
(K) Przewód zasilający*	1
(L) Opaska (tylko w przypadku podłączenia interfejsu Wi-Fi)	2

* Uwaga:

Przewód łączący jednostkę wewnętrzną z jednostką zewnętrzną (A) i przewód zasilający (K) należy umieścić co najmniej 1 m od przewodu anteny telewizyjnej.

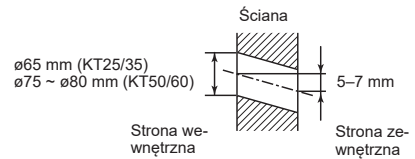
2. INSTALACJA JEDNOSTKI WEWNĘTRZNEJ

2-1. MOCOWANIE UCHWYTU MONTAŻOWEGO JEDNOSTKI WEWNĘTRZNEJ

- Nie instalować jednostki wewnętrznej na wysokości powyżej 150 mm.
- Odszukać element konstrukcyjny (np. belkę) w ścianie i przymocować uchwyt (5) poziomo za pomocą śrub mocujących (6).
- Aby zapobiec drganiom uchwytu (5), należy zamocować śruby mocujące w otworach pokazanych na rysunku. Dla większej stabilności śruby mocujące można także zainstalować w innych otworach.

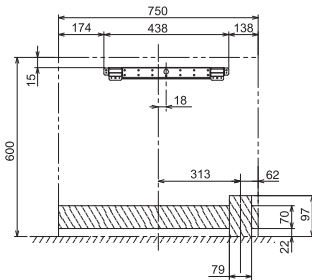
2-2. WIERCENIE OTWORÓW

- 1) Określić położenie otworu na ścianie.
- 2) Wywiercić otwór o średnicy 65 mm (75 ~ 80 mm w przypadku KT50/60).
Strona zewnętrzna powinna być 5-7 mm niż strona wewnętrzna.
- 3) Umieścić przepust ścienny (C).



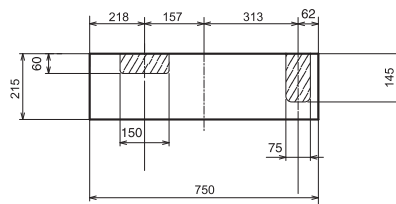
POŁOŻENIE OTWORÓW

RURY Z TYŁU LUB Z TYŁU PO LEWEJ
(Poniższy rysunek przedstawia miejsce instalacji jednostki wewnętrznej od przodu).



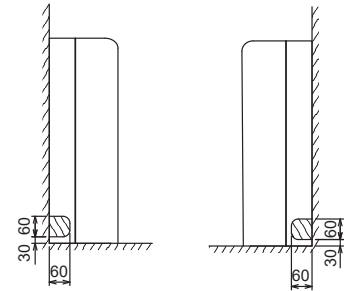
RURY PO PRAWĘJ NA DOLE LUB PO LEWEJ NA DOLE

(Poniższy rysunek przedstawia spód jednostki wewnętrznej od góry).



RURY PO LEWEJ

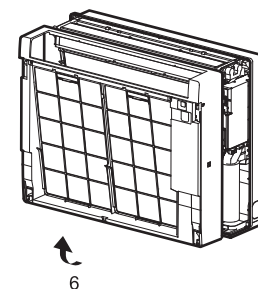
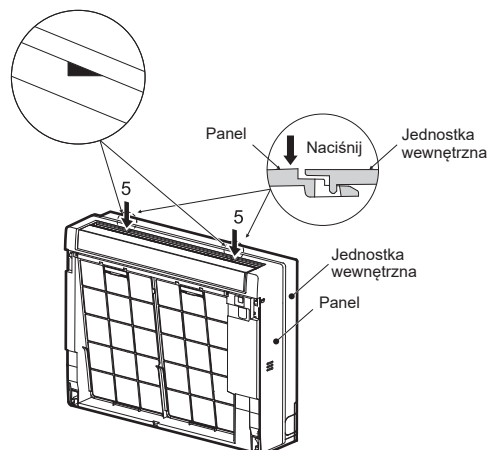
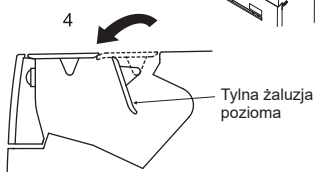
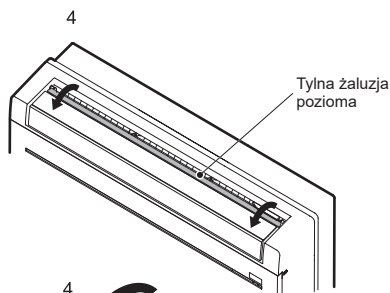
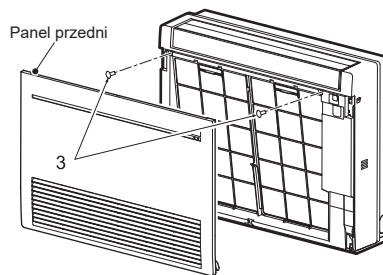
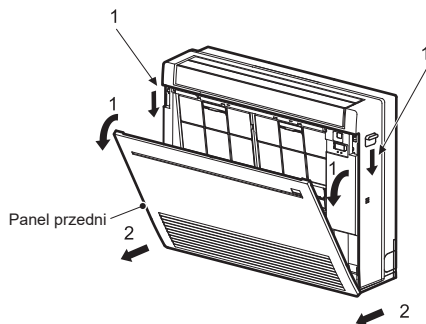
RURY PO PRAWĘJ



2-3. PRZYGOTOWANIE JEDNOSTKI WEWNĘTRZNEJ

Zdjąć panel przedni jednostki wewnętrznej.

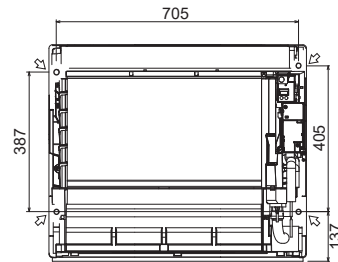
- 1) Nacisnąć zaczepy po obu stronach urządzenia, aby otworzyć panel przedni.
- 2) Pociągnąć panel przedni do siebie, aby go zdjąć.
- 3) Wykręcić 2 śruby.
- 4) Otworzyć tylną żaluzję poziomą.
- 5) Nacisnąć górną część panelu w 2 miejscach, po czym pociągnąć ją do siebie.
- 6) Zdjąć panel, nieco go unosząc.



2-4. INSTALACJA JEDNOSTKI WEWNĘTRZNEJ

2-4-1. INSTALACJA JEDNOSTKI WEWNĘTRZNEJ NA PODŁOŻE

- 1) Umieścić jednostkę wewnętrzną na płaskiej podłodze.
- 2) Zamocować jednostkę wewnętrzną w 4 punktach za pomocą dostarczonych wkrętów do drewna (7) i podkładek (8). Starannie dokręcić wkręty.

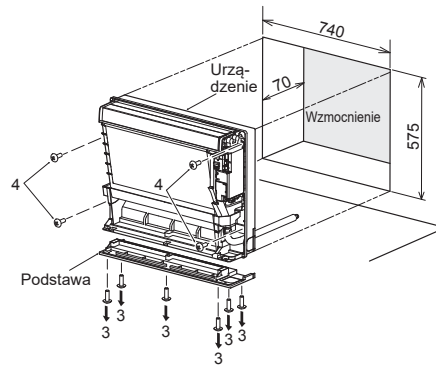


2-4-2. INSTALACJA JEDNOSTKI WEWNĘTRZNEJ NA ŚCIANIE

- 1) Zaczepić górną część jednostki wewnętrznej na uchwycie montażowym jednostki wewnętrznej (5).
- 2) Zamocować jednostkę wewnętrzną w 4 punktach za pomocą dostarczonych wkrętów do drewna (7) i podkładek (8). Starannie dokręcić wkręty.

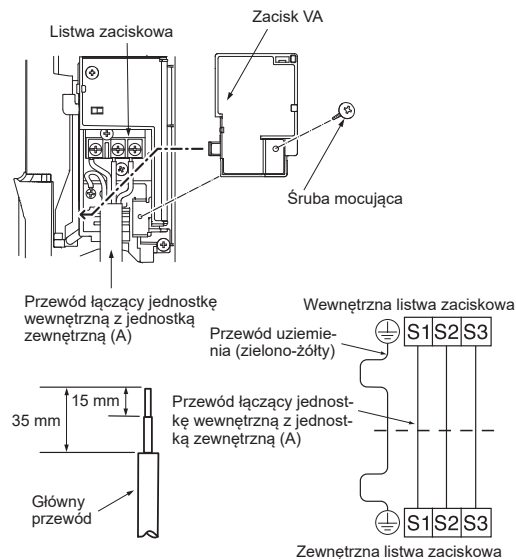
2-4-3. OSADZANIE JEDNOSTKI WEWNĘTRZNEJ W ŚCIANIE

- 1) Wykonać otwór w ścianie.
- 2) Dostosować głębokość, wykorzystując wzmocnienie.
- 3) Wykręcić 6 śrub, które mocują podstawę do urządzenia. Odłączyć podstawę od urządzenia.
- 4) Zamocować jednostkę wewnętrzną w 4 punktach za pomocą dostarczonych wkrętów do drewna (7) i podkładek (8). Starannie dokręcić wkręty.



2-5. PODŁĄCZANIE PRZEWODÓW DO JEDNOSTKI WEWNĘTRZNEJ

- 1) Zdjąć zacisk VA.
- 2) Poprowadzić przewód łączący jednostkę wewnętrzną z jednostką zewnętrzną (A) z tyłu jednostki wewnętrznej i obrobić końcówkę przewodu.
- 3) Odkręcić śrubę zacisku i podłączyć najpierw przewód uziemienia, a następnie przewód łączący jednostkę wewnętrzną z jednostką zewnętrzną (A) do listwy zaciskowej. Uważać, aby nie pomylić przewodów. Starannie przymocować przewód do listwy zaciskowej, aby żadna część jego żyły nie była widoczna i żadna siła zewnętrzna nie była przenoszona na podłączenie do listwy zaciskowej.
- 4) Mocno dokręcić śruby zaciskowe, zapobiegając ich poluzowaniu. Po dokręceniu lekko pociągnąć za przewody, sprawdzając, czy się nie ruszają.
- 5) Zabezpieczyć przewód łączący jednostkę wewnętrzną z jednostką zewnętrzną (A) i przewód uziemienia za pomocą zacisku VA. Należy pamiętać o zamocowaniu lewego zacisku VA. Starannie zamocować zacisk VA.



- Przewód uziemienia powinien być nieco dłuższy od pozostałych. (Ponad 45 mm)
- Z myślą o przyszłym serwisowaniu należy zastosować odpowiednio dłuższe przewody zasilające.
- Nie zwiijać nadmiaru przewodu ani nie wpychać go w ciasne przestrzenie. Uważać, aby nie uszkodzić przewodów.
- Podczas mocowania przewodów do listwy zaciskowej należy wkręcić poszczególne śrubki w odpowiednie zaciski.

⚠ OSTRZEŻENIE

Podczas instalacji urządzenia, przed uruchomieniem sprężarki należy starannie podłączyć rury czynnika chłodniczego.

2-6. KSZTAŁTOWANIE I INSTALACJA RUR

Uwaga: Patrz punkt 3. POŁĄCZENIE KIELICHOWE, ŁĄCZENIE RUR.

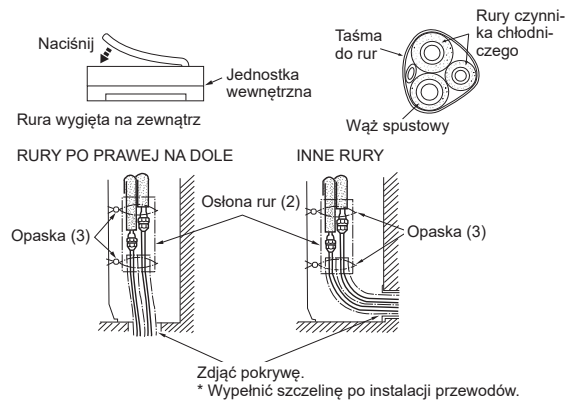
Kształtowanie rur

- Poprowadzić wąż spustowy po przekątnej poniżej rur połączeniowych.
- Upewnić się, że wąż spustowy nie biegnie do góry i nie jest pozaginany.
- Nie ciągnąć za wąż podczas umieszczania taśmy.
- Należy tak poprowadzić rury, aby nie wystawały za tył jednostki wewnętrznej. (Patrz rysunek po prawej).

Instalacja rur połączeniowych

- Rury połączeniowe należy zainstalować w taki sposób, aby można je było nieco przesunąć do przodu, do tyłu, w lewo i w prawo.
- Po zdjęciu pokrywy należy zabezpieczyć rury, aby po instalacji w pomieszczeniu nie było żadnych odsłoniętych przewodów.
- Wypełnić szczelinę po instalacji przewodów.

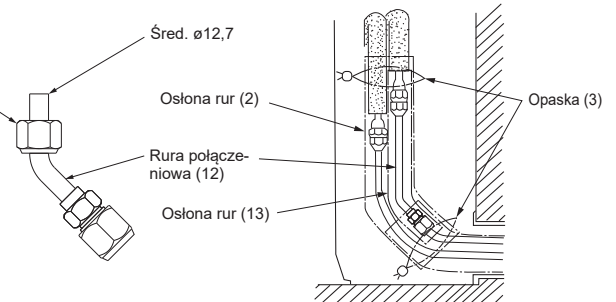
- Należy zaizolować rury połączeniowe, aby nie dotykały panelu.
- Uważać, aby nie zmiądzyc rur połączeniowych podczas ich gięcia.



Dla MFZ-KT60

- Należy użyć rury połączeniowej (12); w przeciwnym razie nie będzie można zamocować rury przedłużającej o średnicy $\varnothing 15,88$ mm.
- Wykonać kielichowanie rury połączeniowej (12) do średnicy $\varnothing 12,7$ mm i zamocować osłonę rur (13).

Użyć nakrętki kielichowej dostarczonej z urządzeniem. Dopolnować, aby nakrętki zostały założone prawidłową stroną.



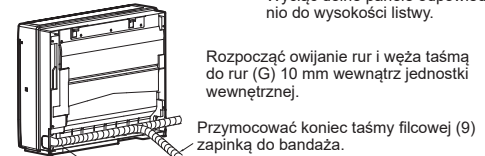
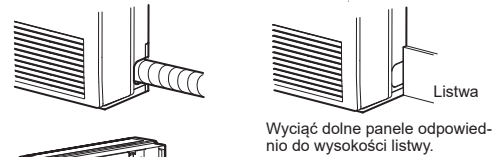
RURY PO LEWEJ LUB Z TYŁU PO LEWEJ

Związać razem rury połączeniowe i wąż spustowy, po czym owinąć je taśmą filcową (9).

Wyciąć i wykorzystać dolne panele po lewej i prawej stronie jednostki wewnętrznej, zgodnie z rysunkiem poniżej.

Wygładzić krawędzie cięcia paneli bocznych, aby nie uszkodziły izolacji.

- Rury po lewej lub po prawej
- Instalacja wpuszczana w ścianie w listwach przypodłogowych

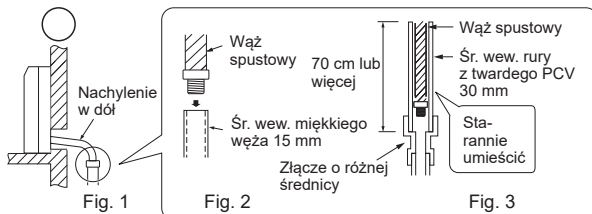


Upewnić się, że wąż spustowy nie biegnie do góry.

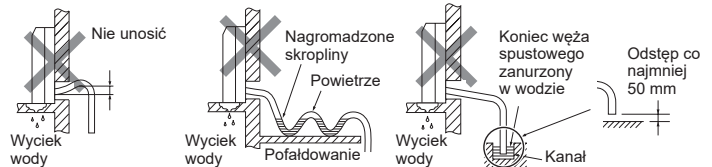
Owinąć ciasno rury i wąż taśmą filcową (9), zaczynając w miejscu, gdzie wychodzą z jednostki wewnętrznej. (Szerokość zakładek taśmy filcowej (9) nie powinna przekraczać 1/2 szerokości taśmy).

2-7. PRZEWODY SPUSTOWE

- Jeśli przedłużony wąż spustowy musi przebiegać przez pomieszczenie, należy go owinąć dostępną w sprzedaży izolacją.
- Wąż spustowy powinien być skierowany w dół, aby ułatwić odpływ. (Fig. 1)
- Jeśli wąż spustowy dostarczony z jednostką wewnętrzną jest zbyt krótki, należy go połączyć z węzłem spustowym (J) kupionym we własnym zakresie. (Fig. 2)
- Połączenie między węzłem spustowym produktu a przedłużeniem węża spustowego (średnica wewnętrzna 16 mm) (J) należy uszczelnić taśmą lub innym materiałem.
- Łącząc wąż spustowy z rurą z twardego PCV, należy go starannie wsunąć do rury. (Fig. 3)

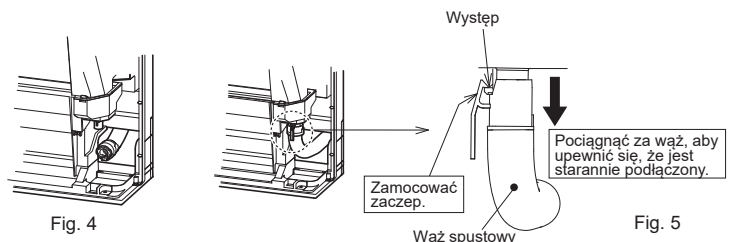


Nie podłączać rur spustowych w sposób pokazany poniżej.



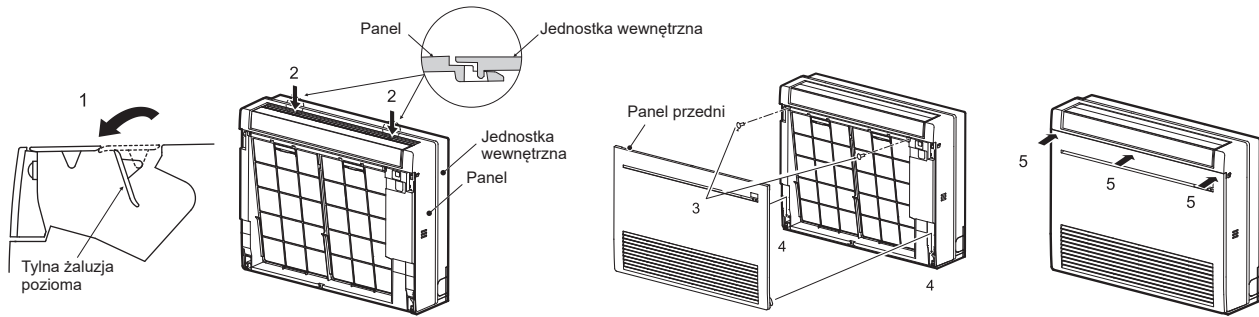
Wąż spustowy jest odłączony w czasie instalacji.

- Prowadząc rury spustowe należy dopilnować, aby wąż spustowy (1) został poprowadzony zgodnie z rysunkiem. (Fig. 4)
- Wsunąć wąż spustowy do oporu w podstawę tacy na skropliny (połączenie końcowe). (Fig. 5) Upewnić się, że zaczep węża spustowego jest starannie zamocowany na występie mocowania węża tacy na skropliny.
- Po podłączeniu węża spustowego należy za niego pociągnąć, aby mieć pewność, że jest starannie podłączony.



2-8. INSTALACJA PANELU PRZEDNIEGO

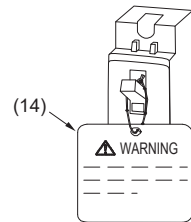
- 1) Otworzyć tylną żaluzję poziomą.
- 2) Założyć panel. Upewnić się, że zaczepy są zamocowane.
- 3) Przymocować panel śrubami.
- 4) Wsunąć dolną część panelu przedniego.
- 5) Nacisnąć górną część panelu przedniego w 3 miejscach, aby go zamknąć.



2-9. MOCOWANIE ETYKIETY I OBJAŚNIENIA

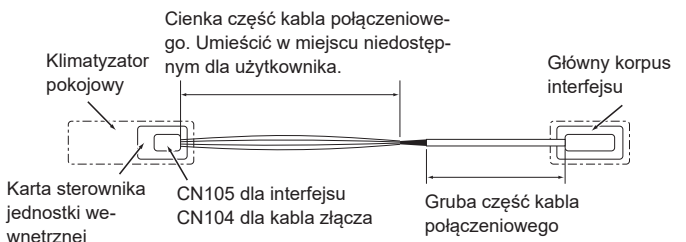
Wyłącznik różnicowoprądowy musi być zawsze włączony, chyba że jest wykonywany przegląd lub konserwacja. Zawiesić dostarczoną etykietę (14) lub (15) na wyłączniku różnicowoprądowym i poinformować o tym klientów. Po wyłączeniu wyłącznika różnicowoprądowego, czujnik czynnika chłodniczego zamontowany w jednostce wewnętrznej nie jest zasilany, co uniemożliwia wykrycie ewentualnego wycieku czynnika chłodniczego.

Uwaga: Jeśli jednostka wewnętrzna/jednostka zewnętrzna mają oddzielne okablowanie zasilające, należy zawiesić dostarczoną etykietę (14) lub (15) na wyłączniku różnicowoprądowym po stronie jednostki wewnętrznej i poinformować o tym klientów.

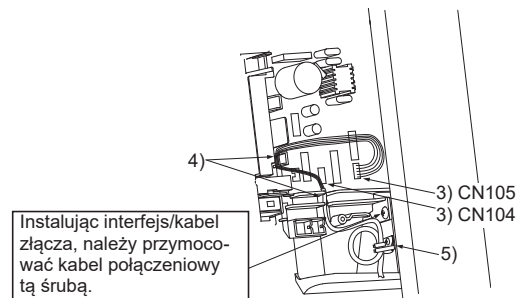


2-10. PODŁĄCZANIE INTERFEJSU (opcja)/KABLA ZŁĄCZA (opcja) DO KLIMATYZATORA

- Podłączyć interfejs/kabel złącza do karty sterownika jednostki wewnętrznej klimatyzatora kablem połączeniowym.
- Skrócenie lub przedłużenie kabla połączeniowego interfejsu/kabla złącza spowoduje błędy w połączeniu. Nie zwiąć kabla połączeniowego razem z przewodem zasilającym, przewodem łączącym jednostkę wewnętrzną z jednostką zewnętrzną i/lub przewodem uziemienia. Zachować maksymalną odległość między kablem połączeniowym i tymi przewodami.
- Cienką część kabla połączeniowego należy przechować i umieścić w miejscu niedostępnym dla użytkownika.



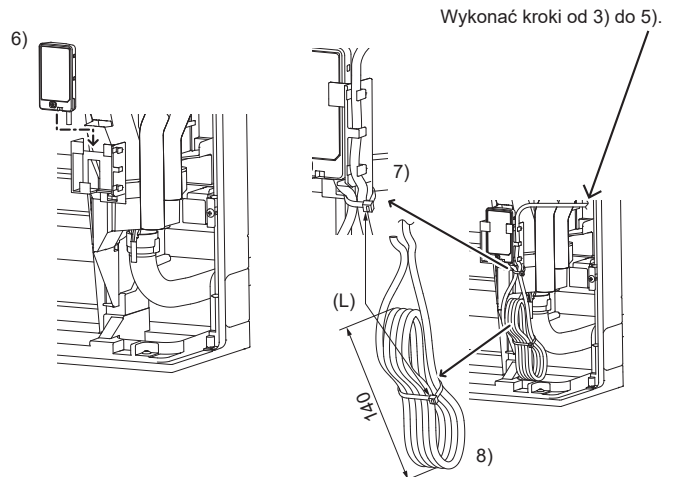
- 1) Zdjąć panel.
- 2) Otworzyć pokrywę karty sterownika jednostki wewnętrznej.
- 3) Podłączyć kabel połączeniowy do gniazda CN105 i/lub CN104 na karcie sterownika jednostki wewnętrznej.
- 4) Poprowadzić kabel połączeniowy przez punkt wskazany na rysunku.
- 5) Przymocować zacisk kablowy dostarczony z interfejsem/kablem złącza do grubej części kabla połączeniowego za pomocą śruby 4 × 16, zgodnie z rysunkiem.
- 6) Zamknąć pokrywę karty sterownika jednostki wewnętrznej. Uważać, aby nie przyciąć pokrywę cienkiej części kabla połączeniowego. Założyć panel.



Uwaga:

Podczas podłączania interfejsu Wi-Fi (opcja) należy umieścić interfejs w uchwycie zgodnie z rysunkiem. Dostosować długość kabla i zwinąć w sposób pokazany na rysunku.

- 1) Zdjąć panel.
- 2) Otworzyć pokrywę karty sterownika jednostki wewnętrznej.
- 3) Podłączyć kabel połączeniowy do gniazda CN105 na karcie sterownika jednostki wewnętrznej.
- 4) Poprowadzić kabel połączeniowy przez punkt wskazany na rysunku.
- 5) Przymocować zacisk kablowy dostarczony z interfejsem/kablem złącza do grubej części kabla połączeniowego za pomocą śruby 4 × 16, zgodnie z rysunkiem.
- 6) Umieścić interfejs Wi-Fi w uchwycie.
- 7) Umieścić kabel połączeniowy w uchwycie i przymocować go opaską (L).
- 8) Zwinąć nadmiar kabla, używając opaski (L). Zwinęta część powinna mieć około 140 mm długości.
- 9) Zamknąć pokrywę karty sterownika jednostki wewnętrznej. Uważać, aby nie przyciąć pokrywę cienkiej części kabla połączeniowego. Założyć panel.



⚠ OSTRZEŻENIE

Starannie przymocować kabel połączeniowy we wskazanym miejscu. Nieprawidłowa instalacja może spowodować porażenie prądem elektrycznym, pożar i/lub nieprawidłowe działanie.

3. POŁĄCZENIE KIELICHOWE, ŁĄCZENIE RUR

3-1. KIELICHOWANIE

- 1) Odpowiednio przyciąć rurę miedzianą obcinakiem do rur. (Fig. 1, 2)
- 2) Całkowicie usunąć wszelkie zadziory z końców rury. (Fig. 3)
 - Podczas usuwania zadziorów należy skierować koniec rury miedzianej w dół, aby zapobiec wпадaniu zadziorów do środka.
- 3) Usunąć nakrętki kielichowe jednostki wewnętrznej i zewnętrznej, a po usunięciu zadziorów założyć je na rury. (Po zakończeniu kielichowania założenie nakrętek nie będzie możliwe).
- 4) Kielichowanie (Fig. 4, 5). Mocno zacisnąć rurę miedzianą o wymiarach podanych w tabeli. Wybrać A mm z tabeli odpowiednio do używanego narzędzia.
- 5) Sprawdzić
 - Porównać kielichowanie z Fig. 6.
 - Jeśli kielichowanie jest niepoprawne, należy odciąć rozszerzenie i przeprowadzić kielichowanie ponownie.

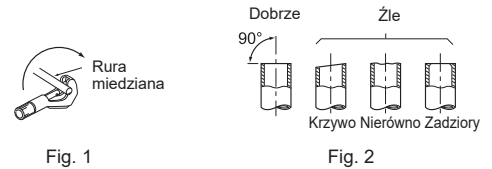


Fig. 1

Fig. 2

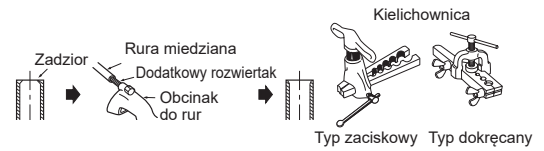


Fig. 3

Fig. 4

Średnica rury (mm)	Nakrętka (mm)	A (mm)			Moment dokręcania	
		Narzędzie zaciskowe do R32, R410A	Narzędzie zaciskowe do R22	Narzędzie dokręcane do R22	N•m	kgf•cm
ø6,35 (1/4")	17	0 do 0,5	1,0 do 1,5	1,5 do 2,0	14 do 18	140 do 180
ø9,52 (3/8")	22			2,0 do 2,5	34 do 42	340 do 420
ø12,7 (1/2")	26			-	49 do 61	490 do 610
ø15,88 (5/8")	29			-	68 do 82	680 do 820

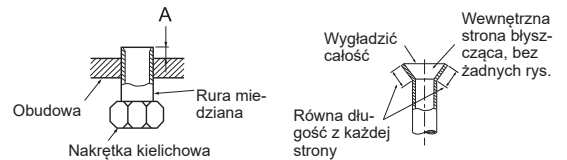


Fig. 5

Fig. 6

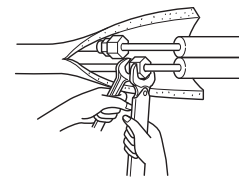
3-2. ŁĄCZENIE RUR

- Dokręcić nakrętkę kielichową kluczem dynamometrycznym zgodnie z tabelą.
- Zbyt mocne dokręcenie może spowodować uszkodzenie nakrętki kielichowej po pewnym czasie i ulatnianie się czynnika chłodniczego.
- Należy pamiętać, aby owinać izolację wokół przewodów rurowych. Bezpośredni kontakt z niezabezpieczonymi przewodami rurowymi może doprowadzić do popażeń lub odmrożeń.

Podłączenie jednostki wewnętrznej

Podłączyć rury cieczowe i gazowe do jednostki wewnętrznej.

- Nie nakładać oleju chłodniczego na gwinty śrub. Nadmierne dokręcenie spowoduje uszkodzenie śrub.
- Przed podłączeniem należy najpierw wyrównać środek, a następnie nakręcić ręką nakrętkę kielichową o pierwsze 3 do 4 obrotów.
- Podczas dokręcania bocznej złączki przyłączeniowej jednostki wewnętrznej należy sprawdzić moment obrotowy dokręcania w tabeli powyżej, a następnie dokręcić za pomocą dwóch kluczy. Nadmierne dokręcenie uszkodzi rozszerzenie rury.



⚠ OSTRZEŻENIE

Podczas instalacji urządzenia, przed uruchomieniem sprężarki należy starannie podłączyć rury czynnika chłodniczego.

⚠ OSTRZEŻENIE

W pomieszczeniach nie wolno stosować używanych połączeń mechanicznych i kielichowych.

Podłączając rury czynnika chłodniczego za pomocą lutowni zamiast połączeń kielichowych, wszystkie prace lutownicze należy zakończyć przed podłączeniem jednostki wewnętrznej do jednostki zewnętrznej.

4. PRACA PRÓBNA

4-1. PRACA PRÓBNA

Upewnić się, że wykonano poniższe czynności.

- Panel jest zainstalowany prawidłowo.
- Jednostki wewnętrzna i zewnętrzna są zainstalowane prawidłowo i zasilane.

- 1) Nacisnąć przełącznik E.O. SW jeden raz dla CHŁODZENIA i dwa razy dla OGRZEWANIA. Praca próbna trwa 30 minut. Jeśli lewa kontrolka sygnalizacyjna pracy pulsuje co 0,5 sekundy, należy sprawdzić poprawność podłączenia przewodu łączącego jednostkę wewnętrzną z jednostką zewnętrzną (A). Po pracy próbnej uruchomi się tryb awaryjny (temperatura zadana 24°C).
- 2) Aby wyłączyć, należy nacisnąć przełącznik E.O. SW kilka razy, aż zgasną wszystkie kontrolki LED. Szczegóły zawiera instrukcja obsługi.

Sprawdzanie odbioru sygnału zdalnego sterowania (podczerwieni)

Nacisnąć przycisk ON/OFF na pilocie zdalnego sterowania (10) i sprawdzić, czy z jednostki wewnętrznej dobiega elektroniczny dźwięk. Ponownie nacisnąć przycisk ON/OFF, aby wyłączyć klimatyzator.

- Po wyłączeniu sprężarki włącza się urządzenie uniemożliwiające ponowne uruchomienie, w związku z czym sprężarka nie będzie działać przez 3 minuty w celu zabezpieczenia klimatyzatora.



Przełącznik pracy w trybie awaryjnym (E.O. SW)

4-2. FUNKCJA AUTOMATYCZNEGO WZNOWIENIA PRACY

Urządzenie jest wyposażone w funkcję automatycznego wznowienia pracy. Jeśli w trakcie pracy wystąpi awaria zasilania, po przywróceniu zasilania funkcja automatycznie rozpoczyna pracę z poprzednim ustawieniem. (Szczegóły zawiera instrukcja obsługi).

Przeostroga:

- Po pracy próbnej lub sprawdzaniu odbioru sygnału zdalnego sterowania należy wyłączyć urządzenie przełącznikiem E.O. SW lub pilotem przed wyłączeniem zasilania. W przeciwnym razie po włączeniu zasilania urządzenie automatycznie rozpocznie pracę.

Informacje dotyczące użytkownika

- Po zainstalowaniu urządzenia należy wyjaśnić użytkownikowi zasady działania funkcji automatycznego wznowienia pracy.
- Jeśli funkcja automatycznego wznowienia pracy jest niepotrzebna, można ją wyłączyć. W tym celu należy skontaktować się z pracownikiem serwisu. Szczegóły zawiera instrukcja serwisowa.

4-3. PRZESzkOLENIE UżyTKOWNIKA

- Posługując się INSTRUKCJĄ OBSŁUGI, należy wyjaśnić użytkownikowi zasady obsługi klimatyzatora (korzystanie z pilota, wyjmowanie filtrów powietrza, wyjmowanie pilota z uchwytu i umieszczanie go w uchwycie, czyszczenie, środki ostrożności podczas obsługi itp.).
- Zalecić użytkownikowi uważne przeczytanie INSTRUKCJI OBSŁUGI.

5. ODPOMPOWYWANIE

Procedury zostały podane w instrukcji montażu jednostki zewnętrznej.

OSTRZEŻENIE

W przypadku nieszczelności obiegu chłodzącego, nie wolno przeprowadzać odpompowania za pomocą sprężarki. Podczas odpompowania czynnika chłodniczego przed odłączeniem rur czynnika chłodniczego należy wyłączyć sprężarkę. W razie dostania się powietrza itp. do sprężarki, może dojść do jej wybuchu.

INNHOLD

1. FØR INSTALLERING.....	1
2. INSTALLASJON AV INNVENDIG ENHET	4
3. TROMPETKOPLING, RØRKOPLING	8
4. TESTKJØRING.....	8
5. PUMPE NED	9

Modellnavnene er angitt i 1-3.





Denne installasjonshåndboken beskriver kun installasjonen av innendørsenheter. Se i monteringshåndboken for utendørsenheter for oppsett av utendørsenheter.

Nødvendig verktøy for installering

Phillips skrutrekker	Kragingsverktøy for R32, R410A
Nivå	Målemanifold for R32, R410A
Skala	Vakuumpumpe for R32, R410A
Kniv eller saks	Ladeslange for R32, R410A
75 mm hullsag	Rørkutter med brotsj
Momentnøkkel	Vannflaske 0,9 til 1,0 l vann
Skrunøkkel (eller skiftenøkkel)	

1. FØR INSTALLERING

BETYDNINGEN AV SYMBOLENE PÅ DEN INNVENDIGE ENHETEN OG/ELLER DEN UTVENDIGE ENHETEN

	ADVARSEL (Brannfare)	Denne enheten benytter et brannfarlig kjølemedium. Hvis kjølemediet lekker og kommer i kontakt med brann eller en varm del, danner det en skadelig gass og det er fare for brann.
		Les BRUKSANVISNINGEN nøye før drift.
		Servicepersonale må lese BRUKSANVISNINGEN og INSTALLASJONSHÅNDBOKEN nøye før drift.
		Ytterligere informasjon er tilgjengelig i BRUKSANVISNINGEN, INSTALLASJONSHÅNDBOKEN og lignende.

1-1. FØLGENDE SKAL ALLTID OVERHOLDES AV SIKKERHETSHENSYN

- Les alltid "FØLGENDE SKAL ALLTID OVERHOLDES AV SIKKERHETSHENSYN" før installering av luftkondisjoneringsen.
- Forsikre deg om at du følger advarslene og forsiktighetsreglene som er angitt her, da de inneholder viktige punkter i forbindelse med sikkerheten.
- Etter å ha lest denne håndboken, forsikre deg om at den blir tatt vare på sammen med BRUKSANVISNINGEN for framtidig referanse.

ADVARSEL (Kan føre til død, alvorlige personskader osv.)

- **Installer ikke enheten selv (bruker).**
Ufullstendig installering kan føre til brann eller elektrisk støt, personskader ved at enheten faller ned, eller lekkasje av vann. Kontakt forhandleren du kjøpte enheten av, eller en kvalifisert installatør.
- **Utfør installasjonen sikkert i henhold til installasjonshåndboken.**
Ufullstendig installering kan føre til brann eller elektrisk støt, personskader ved at enheten faller ned, eller lekkasje av vann.
- **Ved montering av enheten må du for sikkerhetens skyld bruke egnet verneutstyr og verktøy.**
Unnlatelse av å gjøre dette kan føre til personskade.
- **Installer enheten trygt på et sted som kan bære vekten av enheten.**
Hvis installasjonsstedet ikke kan bære enhetens vekt, kan den falle og føre til personskader.
- **Arbeid på elektriske enheter skal utføres av en kvalifisert og erfaren elektriker, i henhold til instruksjonene i installasjonshåndboken. Forsikre deg om at du bruker en egen krets. Koble ikke andre elektriske apparater til kretsen.**
Hvis kapasiteten til strømkretsen ikke er tilstrekkelig, eller den elektriske installasjonen er ufullstendig, kan det føre til brann eller et elektrisk støt.
- **Jord enheten korrekt.**
Koble ikke jordingen til et gassrør, vannrør, lynavleder eller telefonjording. Defekt jording kan føre til elektrisk støt.
- **Skad ikke ledningene ved å påføre dem for store krefter med deler eller skruer.**
Skadede ledninger kan føre til brann og elektrisk støt.
- **Forsikre deg om at du kobler fra strømforsyningen ved oppsett av det innvendige PC-kortet eller kablingsarbeid.**
Unnlatelse av å gjøre dette kan føre til elektrisk støt.
- **Bruk de spesifiserte ledningene for å koble sammen de innvendige og utvendige enhetene korrekt, fest ledningene godt i klemmeblokkens koblingsdel, slik at strekket i ledningene ikke påføres klemmene. Forleng ikke ledningene eller bruk skjøtleddning.**
Ufullstendig tilkobling kan føre til brann.
- **Installer ikke enheten på et sted hvor det kan løkke ut brennbar gass.**
Hvis det lekker ut gass og den samles opp i området ved enheten, kan det føre til en eksplosjon.
- **Bruk ikke midlertidige koblinger av strømledningen eller forlengelsesledningen, og koble ikke mange enheter til en stikkontakt.**
Det kan føre til brann eller elektrisk støt på grunn av defekte kontakter, defekt isolasjon, overskridelse av tillatt strøm osv.
- **Forsikre deg om at du bruker de delene som følger med eller som er spesifisert for installasjonsarbeidet.**
Bruk av defekte deler kan føre til personskader eller lekkasje av vann på grunn av brann, et elektrisk støt, at enheten faller ned osv.
- **Når du setter støpslet til strømforsyningen inn i stikkkontakten, forsikre deg om at det ikke er noe støv, tilstopping eller løse deler verken i stikkkontakten eller på støpslet. Forsikre deg om at strømforsyningens støpsel er trykket helt inn i stikkkontakten.**
Hvis det er støv, tilstopping eller løse deler på støpslet eller i stikkkontakten, kan det føre til elektrisk støt eller brann. Hvis man finner løse deler på strømforsyningstøpslet, skal det skiftes.
- **Fest det elektriske dekslet på den innvendige enheten og servicepanelet på den utvendige enheten godt.**
Hvis det elektriske dekslet til den innvendige enheten og/eller servicepanelet til den utvendige enheten ikke er festet godt, kan det føre til brann eller et elektrisk støt på grunn av støv, vann osv.
- **Når du monterer, flytter eller utfører vedlikehold på enheten, må du sørge for at ingen andre stoffer enn det spesifiserte kjølemiddelet (R32/R410A) kommer inn i kjølemiddelkretsen.**
Alle fremmede stoffer i kretsen, som for eksempel luft, kan forårsake unormal trykkøkning og kan føre til eksplosjon eller personskader. Bruk av andre kjølemidler enn det som er spesifisert for systemet vil forårsake mekanisk sviikt, systemsviikt eller enhetshavari. I verste fall kan dette føre til at det blir veldig vanskelig å opprettholde produktsikkerheten.
- **Enheten må ikke endres.**
Det kan føre til brann, elektrisk støt, personskade eller vannlekkasje.
- **Tøm ikke kjølemediet ut i atmosfæren. Hvis det lekker ut kjølemedium under installasjonen, luft ut rommet. Sjekk at kjølemediet ikke lekker ut etter at installasjonen er ferdig.**
Hvis kjølemediet lekker og kommer i kontakt med flammer eller en varm del, f.eks. en vifteovn, parafinovn eller komfyr, danner det en skadelig gass. Sørg for ventilering i samsvar med EN378-1.
- **Bruk egnede verktøy og rørmateriell for installeringen.**
Trykket til R32/R410A er 1,6 ganger større enn R22. Hvis man ikke bruker egnet verktøy eller materiell, og installasjonen blir ufullstendig, kan det oppstå sprukne rør eller personskader.
- **Hvis det er lekkasje i kjølekretsen, skal det ikke utføres nedpumping med kompressoren. Når kjølemedium pumpes ned, må kompressoren stanses før kjølemediumrørene kobles fra.**
Hvis kjølemediumrørene kobles fra mens kompressoren er i gang, og stoppventilen er åpen, kan det bli trukket inn luft og trykket i kjølesyklusen kan bli unormalt høyt. Dette kan føre til at rørene sprekker eller til personskader.
- **Installer en jordfeilbryter, avhengig av installasjonsstedet.**
Hvis det ikke monteres noen jordfeilbryter, kan det føre til elektrisk støt.
- **Ved montering av enheten må kjølemediumrørene kobles forsvarlig til før kompressoren startes.**
Hvis kompressoren startes før kjølemediumrørene er koblet til, og stoppventilen er åpen, kan det bli trukket inn luft og trykket i kjølesyklusen kan bli unormalt høyt. Dette kan føre til at rørene sprekker eller til personskader.
- **Monter en kragemutter med en momentnøkkel som angitt i denne håndboken.**
Hvis den festes for stramt, kan en kragemutter brette av etter lang tid, og føre til lekkasje av kjølemedium.
- **Enheten skal installeres i samsvar med nasjonale bestemmelser for kabling.**
- **Når du bruker en gassbrenner eller annet utstyr som skaper flammer, må du fjerne alt kjølemedium fra luftkondisjonereren og sørge for at området er godt ventilert.**
Hvis kjølemediet lekker og kommer i kontakt med brann eller en varm del, danner det en skadelig gass og det er fare for brann.
- **Ikke påskynd avvisingsprosessen på noen måte, bortsett fra metodene som produsenten anbefaler.**
- **Apparatet skal oppbevares i et rom uten varmekilder i drift (f.eks.: åpen ild, gassapparat i drift eller en elektrisk ovn i drift).**
- **Må ikke perforeres eller brennes.**
- **Vær oppmerksom på at kjølemediet kanskje er luftfritt.**
- **Rørene må beskyttes mot fysisk skade.**
- **Monteringen av rør må holdes til et minimum.**
- **Nasjonale regler for gass skal følges.**
- **Hold eventuelle påkrevde lufteåpninger fri for hindringer.**
- **Oppbevar gassapparater, elektriske ovner eller andre brannkilder (antennelseskilder) langt unna stedet der det utføres monteringsarbeid, reparasjoner eller annet arbeid på klimaanlegget.**
- **Apparatet skal oppbevares på et godt ventilert sted der romstørrelsen tilsvarer romarealet som er angitt for bruk.**
- **Slå ikke AV strømbryteren med mindre det lukter brent eller vedlikehold eller inspeksjon.**
Strømmen kan ikke forsynes til kjølemiddelføleren som er monteret i den innvendige enheten, og føleren kan ikke registrere kjølemiddellekkasje. Dette kan føre til brann.
- **Fest koblingskabelen forsvarlig i den foreskrevne posisjonen.**
Feil montering kan føre til elektrisk støt, brann og/eller funksjonsfeil.

- **Utfør arbeidet med avtapping/røropplegg på en sikker måte i henhold til installasjonshåndboken.**
Hvis det er feil i arbeidet med avtapping/røropplegg, kan det dryppe vann fra enheten, som kan ødelegge inventar.
- **Berør ikke luftinntaket eller aluminiumsfinnene til den utvendige enheten.**
Dette kan føre til personskader.
- **Bruk verneutstyr når du er i kontakt med sokkelen til utendørsenheten.**
Det kan medføre personskade hvis du ikke bruker verneutstyr.
- **Installer ikke den utvendige enheten i nærheten av steder hvor det kan bo små dyr.**
Hvis det kommer små dyr inne i enheten og berører de elektriske delene, kan det føre til funksjonsfeil, avgivelse av røyk eller brann. Man må derfor råde brukeren til å holde området rundt enheten rent.
- **Ikke bruk klimaanlegget under konstruksjon og ferdigbearbeiding av interiør eller ved voksing av gulvet.**
Før du bruker klimaanlegget, luft ut rommet godt etter at slikt arbeid er utført. Ellers kan det føre til at flyktige elementer fester seg inni klimaanlegget og føre til vannlekkasje eller duggspredning.
- **Installer ikke enheten på steder der det kan samle seg røyk, gass eller legemidler.**
Det kan slå ut på kjølemiddelføleren som er montert i den innvendige enheten, slik at den viser feil om kjølemiddellekkasje.
- **Vær oppmerksom på viftens rotasjon når strømbryteren er PA.**
Viften begynner automatisk å rotere hvis kjølemiddelføleren registrerer kjølemiddellekkasje. Det kan føre til skade.
- **Ved bruk av aerosolspray til innvendig byggearbeid, finpusning eller tetting av åpning i vegg, må du slå av strømbryteren og lufte rommet godt. Kjølemiddelføleren kan reagere på gassen i sprayene, og dette kan føre til feil registrering.**

1-2. VALG AV INSTALLERINGSSTED

Denne håndboken beskriver kun installasjonen av den innvendige enheten. Når den utvendige enheten skal installeres, se installasjonshåndboken til den utvendige enheten.

INNVENDIG ENHET

⚠ ⚠ ADVARSEL

Enheten bør monteres i rom med større gulvplass enn den som er angitt i monteringshåndboken for utendørsenheten.

- Se i monteringshåndboken for utendørsenheten.

- Følgende betingelser bør oppfylles ved installering av innendørsenheter:
- Hvor luftstrømmen ikke er blokkert.
 - Hvor kaldluften (eller varmluften) sprer seg over hele rommet.
 - Stiv vegg uten vibrasjon.
 - Hvor den ikke er utsatt for direkte solstråling. Ikke utsett for direkte sollys i tidsrommet etter utpakking før bruk.
 - Hvor den lett kan tappes av.
 - Med en avstand på 1 m eller mer unna TV og radio. Drift av luftkondisjonereren kan virke inn på mottak av radio eller TV. En forsterker kan være nødvendig for enheten som blir påvirket.
 - Så langt unna lysrør og lyspærer som mulig, slik at den infrarøde fjernkontrollen kan betjene luftkondisjonereren normalt. Varme fra lyskildene kan føre til deformering, eller ultrafiolett lys kan føre til forringelse.
 - Hvor luftfilteret enkelt kan tas ut og skiftes.
 - Hvor den ikke er i nærheten av den andre varme- eller dampkilden.
 - Enheten må ikke installeres der det brukes gassutstyr for propan, butan eller metan, spray slik som insektmiddel, utstyr som lager røyk, maling, lakk eller legemidler, eller der det dannes svovelbasert gass.
 - Disse kan slå ut på kjølemiddelføleren som er montert i den innvendige enheten, slik at den viser feil om kjølemiddellekkasje. Dette kan føre til at enheten ikke fungerer.

FJERNKONTROLL

Fjernkontrollen bør oppbevares på følgende steder:

- Hvor den er lett og betjene og lett synlig.
- Hvor den er utenfor barns rekkevidde.
- Velg en posisjon omtrent 1,2 m over gulvet og sjekk at signalene fra fjernkontrollen mottas godt av den innvendige enheten fra denne posisjonen (man hører "pip" eller "pip-pip" mottakslyd).

Merk:

I rom hvor man bruker lysrør av omformertypen, kan man oppleve at signalet fra den trådløse fjernkontrollen ikke blir mottatt.

Merk:

- Unngå følgende steder for installasjon, hvor det er sannsynlig at man får problemer med luftkondisjonereren.
- Der det kan lekke brennbar gass.
 - Der hvor det er mye motorolje.
 - Der det søles olje eller der området fylles med oljeholdig røyk (f.eks. kjøkkenområder og fabrikker, der plastens egenskaper kan endres og bli skadet).
 - Saltholdige steder, som ved kysten.
 - Der hvor det dannes sulfidgass, for eksempel ved en varm kilde, kloakk eller avløpsvann.
 - Der hvor det er høyfrekvent eller trådløst utstyr.
 - Der det er utslipp av høye nivåer med flyktige organiske sammensetninger (VOC), herunder ftalatsammensetninger, formaldehyd osv., som kan forårsake kjemisk krakking.
 - Apparatet skal oppbevares slik at du hindrer mekaniske skader.

Ved tilkobling til utendørsenheten som bruker R32-kjølemiddel, skal innendørsenheten installeres i et rom med et gulvareale på Amin eller mer, tilsvarende kjølemiddel M (kjølemiddel fylt på fabrikk + kjølemiddel fylt lokalt). Se installasjonshåndboken for den utvendige enheten vedrørende kjølemiddelmengde og tilleggsfylling av kjølemiddel.

M [kg]	Amin [m ²]
1,00	
1,10	
1,20	
1,30	
1,40	Ingen krav
1,50	
1,60	
1,70	
1,80	
1,84	3,63
1,90	3,75
2,00	3,95
2,10	4,15
2,20	4,34
2,30	4,54
2,40	4,74

Se i installasjonshåndboken for den utvendige enheten vedrørende fylling av kjølemiddel.

1-3. SPESIFIKASJONER

Modell	Strømforsyning *1		Ledningsspesifikasjoner *2	Rørstørrelse (tykkelse *3, *4, *5, *6)		Isolasjonstykkelse *7, *8
	Nominell spenning	Frekvens		Gass	Væske	
MFZ-KT25VG	230 V	50 Hz	4-kjerne 2,0 mm ²	ø9,52 mm (0,8 mm)	ø6,35 mm (0,8 mm)	14 mm
MFZ-KT35VG				ø12,7 mm (0,8 mm)		
MFZ-KT50VG				ø15,88 mm (0,8 mm)		
MFZ-KT60VG				ø15,88 mm (0,8 mm)		

*1 Koble til strømbryteren som har en åpning på 3 mm eller mer når den er åpen, for å bryte kildestrømfasen. (Når strømbryteren er slått av, må den bryte alle fasene.)

*2 Bruk ledninger i samsvar med design 60245 IEC 57.

*3 Bruk aldri rør med tykkelse mindre enn spesifisert. Trykkmotstanden vil ikke bli tilstrekkelig.

*4 Bruk et kobberør eller et sømløst rør i kobberlegetring.

*5 Pass på å ikke knuse eller bøye røret under rørbøying.

*6 Kjølemedierørrets bøyradius må være 100 mm eller mer.

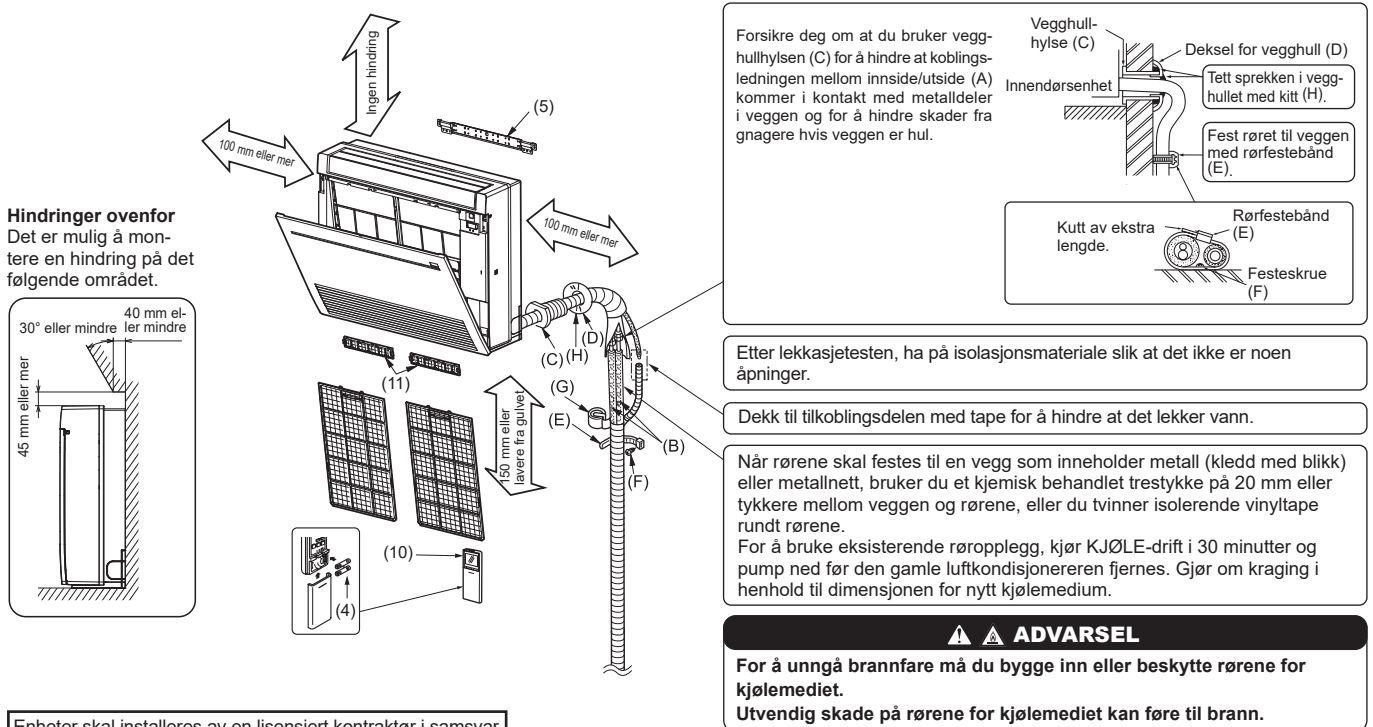
*7 Isolasjonsmateriale: Varmebestandig skumplast, 0,045 egenvekt

*8 Forsikre deg om at du bruker isolasjon i spesifisert tykkelse. For stor tykkelse kan føre til feil installasjon av innvendig enhet og for liten tykkelse kan føre til at det drypper dugg.

1-4. INSTALLASJONSDIAGRAM

Se i monteringshåndboken for utendørsenheter når du skal installere utendørsenheter.

Tabellen med rørspekifikasjoner oppgir ingen minimumslengde for røret. Innvendige enheter med en tilkoblet rørlengde på under 3 m kan imidlertid forårsake periodisk støy ved normal drift i svært støysvake omgivelser. Ta hensyn til denne viktige informasjonen når den innvendige enheten skal installeres og plasseres i rommet.



Enheter skal installeres av en lisensiert kontraktør i samsvar med lokale lovbestemmelser.

TILBEHØR

Sjekk følgende deler før installering.

(1) Avløpsstrømpe*	1
(2) Rørdeksel	1
(3) Bånd	2
(4) Batteri (AAA) for (10)	2
(5) Monteringsbrakett for innendørsenhet	1
(6) Festeskruer for (5) 4 × 25 mm	5
(7) Treskruer for feste av innendørsenhet	4
(8) Skive av (7)	4
(9) Filt-tape (For venstre eller venstre, bakre rør)	1
(10) Trådløs fjernkontroll	1
(11) Luftrengjøringsfilter	2
(12) Forbindelsesrør (kun KT60)	1
(13) Rørdeksel til forbindelsesrør (kun KT60)	1
(14) Etikett for strømbryter	1
(15) Merknad for strømbryter	1

DELER SOM MÅ LEVERES PÅ STEDET

(A) Koblingsledning mellom innvendig/utvendig enhet*	1
(B) Forlengelsesrør	1
(C) Vegghullhylse	1
(D) Deksel for vegghull	1
(E) Rørfestebånd	2 til 5
(F) Festeskruer for (E) 4 × 20 mm	2 til 5
(G) Rørtape	1
(H) Kitt	1
(J) Avløpsstrømpe (eller myk PVC-slange, 15 mm innvendig diameter eller hardt PVC-rør VP16)	1 eller 2
(K) Strømforsyningsledning*	1
(L) Bånd (kun Wi-Fi-tilkobling)	2

* Merk:

Plasser tilkoblingsledningen (A) og strømforsyningsledningen (K) til innvendig/utvendig enhet minst 1 m unna TV-antenneledningen.

* Merk:

Avtappingsslengen er koblet til enheten.

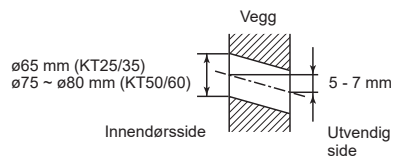
2. INSTALLASJON AV INNVEDIG ENHET

2-1. FESTING AV MONTERINGSBRAKETT FOR INNENDØRSENHET

- Den innvendige enheten må ikke installeres høyere enn 150 mm.
- Finn strukturelle deler (som en stender) i veggen og fest braketten (5) horisontalt med festeskruer (6).
- For å unngå at braketten (5) vibrerer, må du forsikre deg om at du installerer festeskruene i hullene angitt i illustrasjonen. For ekstra støtte, kan festeskruer også installeres i andre hull.

2-2. BORING AV HULL

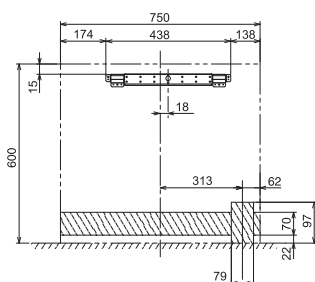
- 1) Bestem posisjonen til veggullet.
- 2) Bor et hull med dia. 65 mm (dia. 75 ~ 80 mm for KT50/60). Den utvendige siden skal være 5 til 7 mm lavere enn den innvendige siden.
- 3) Sett i vegg hullhylse (C).



HULLPOSISJONER

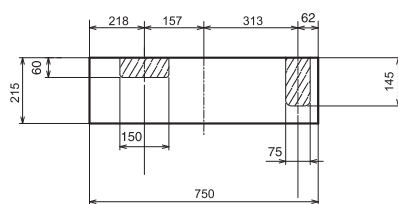
FOR BAKRE ELLER VENSTRE BAKRE RØROPPLÈGG

(Den følgende figuren viser innendørsenhets monteringsplassering forfra.)

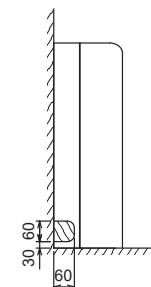


FOR HØYRE NEDADGÅENDE ELLER VENSTRE NEDADGÅENDE RØROPPLÈGG

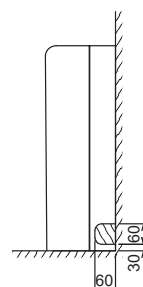
(Den følgende figuren viser bunnen av innendørsenheten ovenfra.)



FOR VENSTRE RØROPPLÈGG



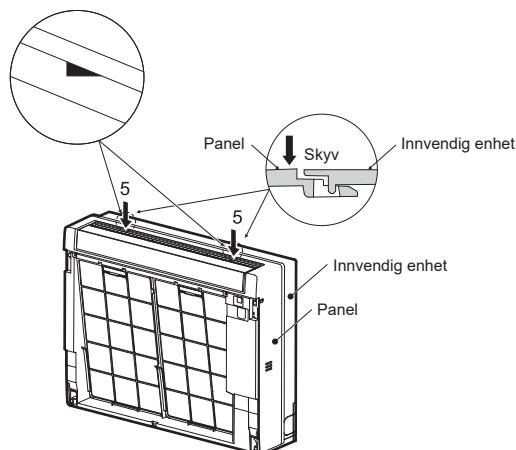
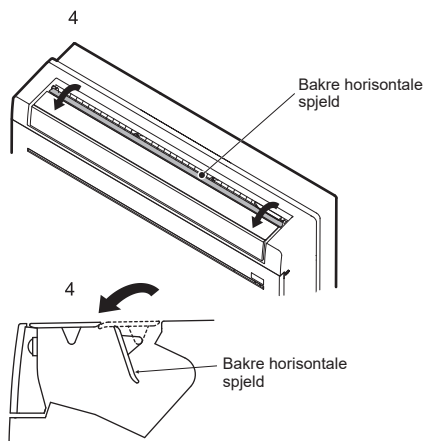
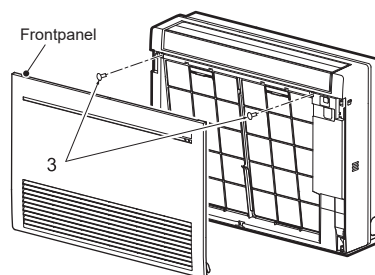
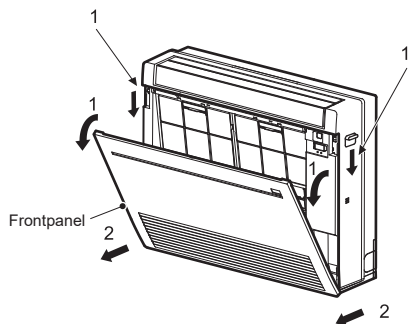
FOR HØYRE RØROPPLÈGG



2-3. KLARGJØRING AV INNENDØRSENHET

Fjern frontdekselet på innendørsenheten.

- 1) Slå ned klaffen på begge sider av enheten for å åpne frontpanelet.
- 2) Trekk frontpanelet mot deg for å ta det av.
- 3) Fjern de 2 skruene.
- 4) Åpne det bakre horisontale spjeldet.
- 5) Skyv de 2 plasseringene på toppen av panelet, og trekk deretter den øvre delen av panelet mot deg.
- 6) Fjern panelet mens du løfter det opp (litt).



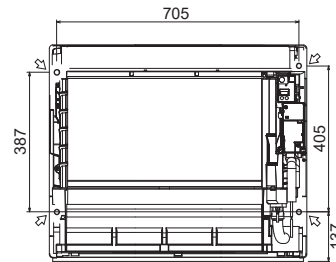
2-4. INSTALLASJON AV INNVENDIG ENHET

2-4-1. INSTALLERE INNENDØRSENHETEN PÅ GULVET

- 1) Plasser innendørsenheten flatt på gulvet.
- 2) Fest innendørsenheten på 4 punkter med treskruene (7) og skivene (8) som er inkludert. Stram skruene godt.

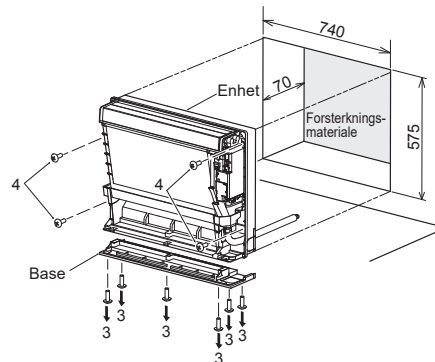
2-4-2. MONTERE INNENDØRSENHETEN PÅ VEGGEN

- 1) Hekt toppen av innendørsenheten på monteringsbraketten (5) til innendørsenheten.
- 2) Fest innendørsenheten på 4 punkter med treskruene (7) og skivene (8) som er inkludert. Stram skruene godt.



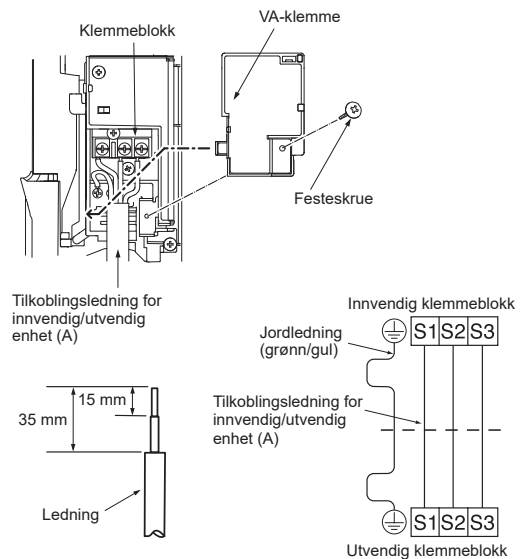
2-4-3. INNEBYGGE INNENDØRSENHETEN I VEGGEN

- 1) Lag et hull i veggen.
- 2) Juster dybden ved å bruke et forsterkningsmateriale.
- 3) Fjern 6 skruer som fester basen til enheten. Fjern basen fra enheten.
- 4) Fest innendørsenheten på 4 punkter med treskruene (7) og skivene (8) som er inkludert. Stram skruene godt.



2-5. TILKOBLING AV LEDNINGER FOR INNVENDIG ENHET

- 1) Ta av VA-klemmen.
- 2) Stikk inn tilkoblingsledningen til innvendig/utvendig enhet (A) fra baksiden av den innvendige enheten og håndter enden av ledningen.
- 3) Løsne klemmeskruen, og koble til jordlederen først, og deretter tilkoblingsledningen til innvendig/utvendig enhet (A) til klemmeblokken. Pass på at du ikke kobler feil. Fest ledningen godt til klemmeblokken, slik at ingen deler av kjernen er synlig, og slik at ingen eksterne krefter overføres til tilkoblingsdelen av klemmeblokken.
- 4) Trekk til klemmeskruene godt, slik at man unngår at de løsner. Etter tiltrekking, trekk lett i ledningene for å forsikre deg om at de ikke kan beveges.
- 5) Sikre kopplingsledningen til innvendig/utvendig enhet (A) og jordledningen med VA-klemmen. Unnløt aldri å hekte på den venstre kloen til VA-klemmen. Fest VA-klemmen godt.



- Lag jordingsledningen litt lenger enn de andre. (Mer enn 45 mm)
- For framtidig service, sørg for ekstra lengde til tilkoblingsledningene.
- Ekstraledningen må ikke bøyes eller klemmes inn i et lite rom. Vær forsiktig, slik at ledningstrådene ikke skades.
- Sørg for å feste hver skrue i sin korresponderende klemmen når ledningen og/eller kablen festes til rekkeklemmen.

⚠ ADVARSEL

Ved montering av enheten må kjølemediumpørene koples forsvarlig til før kompressoren startes.

2-6. RØRFORMING OG INSTALLERING

Merk: Se 3. TROMPETKOPLING, RØRKOPLING.

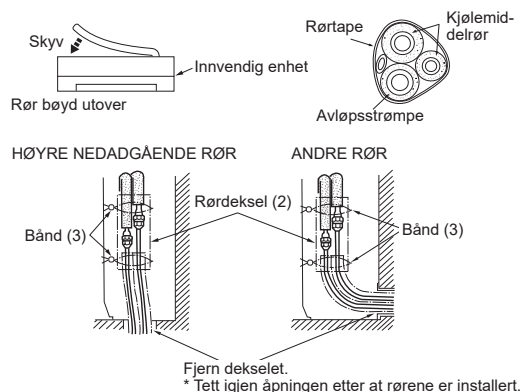
Legging av rør

- Før avtappingsslangen diagonalt under koblingsrørene.
- Påse at avtappingsslangen ikke føres i oppadgående retning, og at den ligger rett uten bøyninger.
- Trekk ikke i slangen mens tapen settes på.
- Legg rørene slik at de ikke går lenger enn bakenden av innendørsenheten. (Se figuren på høyre side.)

Installering av koblingsrør

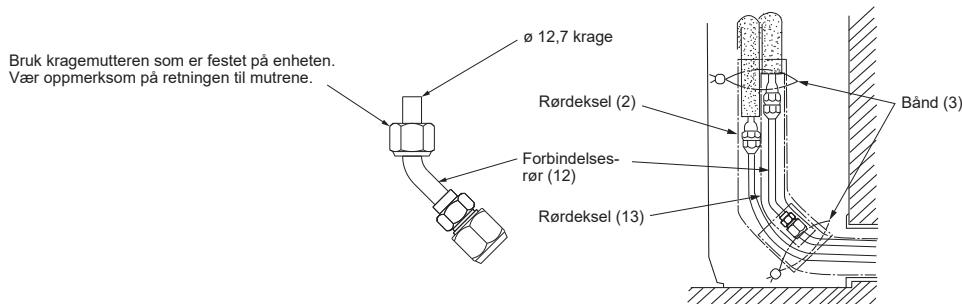
- Installer koblingsrørene slik at rørene kan bevege seg lett mot fronten, bakside, til venstre og til høyre.
- Når dekselet fjernes, må rørene dekkes til slik at ingen rør er eksponert i rommet etter at rørene er installert.
- Tett igjen åpningen etter at rørene er installert.

- Påse at du isolerer koblingsrørene slik at de ikke kommer i kontakt med panelet.
- Vær forsiktig så du ikke knuser koblingsrørene når du bøyer dem.



For MFZ-KT60

- Sørg for å bruke forbindelsesrøret (12), ellers kan ikke forlengelsesrøret med \varnothing 15,88 festes.
- Lag en krage på forbindelsesrøret (12) til \varnothing 12,7, og fest rørdekselet (13).



FOR VENSTRE ELLER VENSTRE, BAKRE RØR

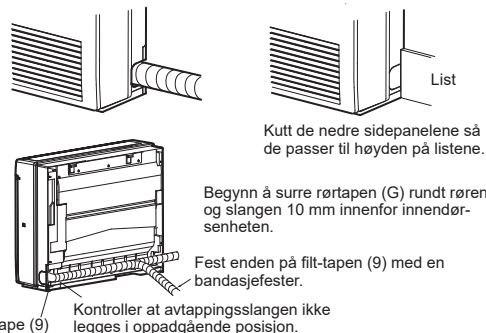
Samle koblingsrørene og avtappingsslangen sammen og pakk dem inn i filt-tape (9).

Kutt og bruk de nedre sidepanelene på venstre og høyre sider av innendørsenheten som vist under.

Gjør de kuttede sidene på panelet glatte slik at de ikke skader isolasjonsbelegget.

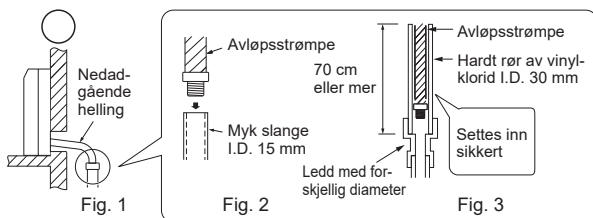
- Til venstre eller høyre røropplegg
- Installerer rett inntil veggen med støping

Pakk filt-tapen (9) stramt rundt rørene og slangen, og start nær der rørene og slangen føres fra innendørsenheten. (Overlappingsbredden for filt-tapen (9) skal ikke være mer enn halvparten av bredden på tapen.)

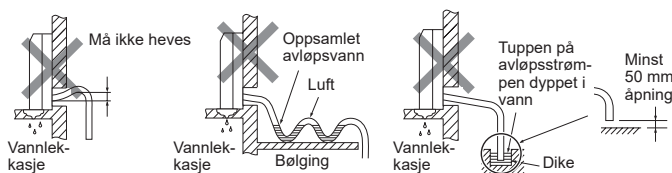


2-7. AVLØPSRØR

- Hvis avløpsstrøpeforlengelsen må passere gjennom et rom, påse at den dekkes til med isolasjon av en type som kan kjøpes i vanlige butikker.
- Avløpsstrømpen må vende nedover for enkel tappelyt. (Fig. 1)
- Hvis avløpsstrømpen som følger med innendørsenheten er for kort, kan den kobles sammen med avløpsstrømpen (J) som burde finnes på anlegget ditt. (Fig. 2)
- Bruk teip eller annet materiale til å tette tilkoblingen mellom produktets avløpsstrømpe og avløpsstrøpeforlengelsen (16 mm innvendig diameter) (J).
- Ved tilkobling av avløpsstrømpen til det harde røret i vinylklorid, påse at strømpen føres godt inn i røret. (Fig. 3)

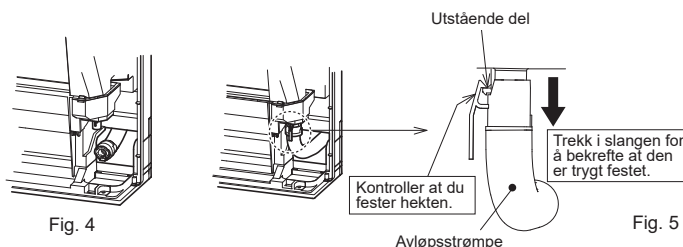


Lag ikke avtappingsrør som vist under.



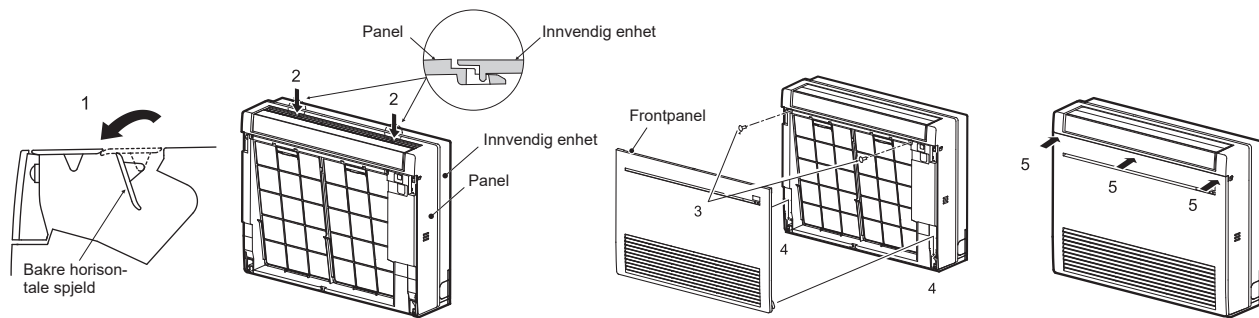
Avtappingsslangen fjernes ved installering.

- Når du legger avtappingsslangen, må du påse at avtappingsslangen (1) føres som vist. (Fig. 4)
- Før inn avtappingsslangen hele veien til bunnen av avtappingsfatet (endekobling). (Fig. 5)
- Kontroller at hekten på avtappingsslangen er trygt festet til den utstående delen på slangearmaturet på avtappingsfatet.
- Når du har koblet til avtappingsslangen, må du trekke i slangen for å bekrefte at den er trygt tilkoblet.



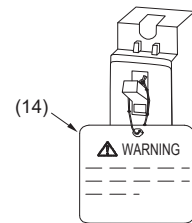
2-8. MONTERING AV FRONTPANELET

- 1) Åpne det bakre horisontale spjeldet.
- 2) Fest panelet. Kontroller at hektene er aktivert.
- 3) Fest panelet med skruene.
- 4) Før inn den nedre delen av frontpanelet.
- 5) Trykk på 3 steder på den øvre delen av frontpanelet for å lukke det.



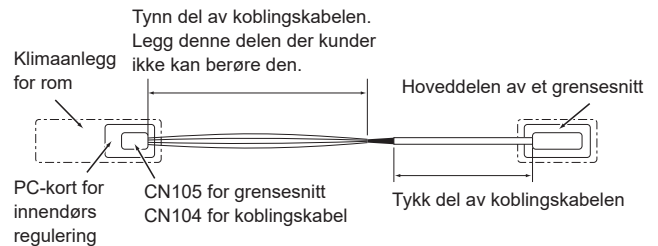
2-9. FESTE ETIKETTEN OG GI FORKLARING

Strømbryteren må alltid være PÅ unntatt ved vedlikehold eller inspeksjon. Heng medfølgende etikett (14) eller (15) på strømbryteren, og forklar den for kundene. Når strømbryteren slås AV, kan ikke strømmen forsynes til kjølemiddelbøler som er montert i den innvendige enheten, og kjølemiddelbøler kan ikke registreres. Merk: Hvis det er separat strømforsyning til ledningsnett for den innvendige og utvendige enheten, skal du henge medfølgende etikett (14) eller (15) på strømbryteren på siden til den innvendige enheten og forklare den for kundene.



2-10. KOBLE ET GRENSESNIITT (tillegg) / KOBLINGSKABEL (tillegg) TIL KLIMAANLEGGET

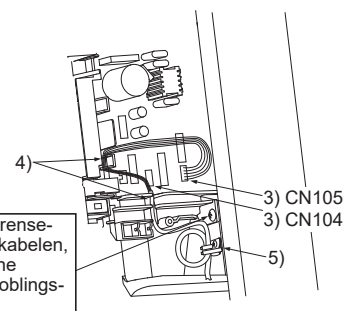
- Koble en grensesniitts-/koblingskabel til PC-kortet for innendørs regulering av et klimaanlegg med en koblingskabel.
- Å kutte eller forlenge koblingskabelen til grensesniitts-/koblingskabelen fører til feilkobling. Koblingskabelen må ikke bunes sammen med strømledningen, innendørs/utendørs koblingsledningen og/eller jordledningen. Ha så stor avstand som mulig mellom koblingskabelen og de andre ledningene.
- Den tynne delen av koblingskabelen bør oppbevares og legges der kunden ikke kan berøre den.



NO

- 1) Fjern panelet.
- 2) Åpne dekelet på PC-kortet for innendørs regulering.
- 3) Koble koblingskabelen til CN105 og/eller CN104 på PC-kortet for innendørsregulering.
- 4) Før koblingskabelen gjennom dette punktet i figuren.
- 5) Fest den medfølgende kabelklemmen med en grensesniitts-/koblingskabel til den tykke delen av koblingskabelen med en 4 × 16-skruer, som vist i figuren.
- 6) Lukk dekelet på PC-kortet for innendørs regulering. Vær forsiktig så du ikke hefter den tynne delen av koblingskabelen i dekelet. Sett inn panelet på nytt.

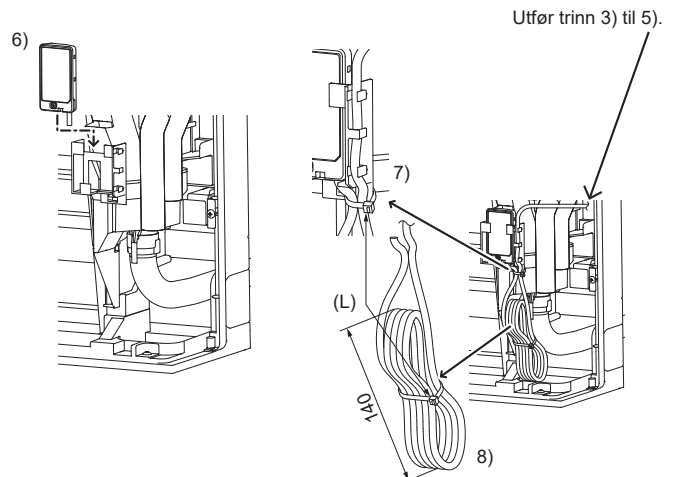
Når du monterer grensesniitts- og koblingskabelen, skal du bruke denne skruen til å feste koblingskabelen.



Merk:

Ved tilkobling av Wi-Fi-grensesniittet (tillegg) skal grensesniittet installeres i holderen, som vist på figuren. Juster lengden på kabelen og samle den, som vist på figuren.

- 1) Fjern panelet.
- 2) Åpne dekelet på kretskortet for innendørsregulering.
- 3) Koble koblingskabelen til CN105 på kretskortet for innendørsregulering.
- 4) Før koblingskabelen gjennom dette punktet i figuren.
- 5) Fest den medfølgende kabelklemmen med en grensesniitts-/koblingskabel til den tykke delen av koblingskabelen med en 4 × 16-skruer, som vist i figuren.
- 6) Plasser Wi-Fi-grensesniittet i holderen.
- 7) Plasser koblingskabelen i holderen, og fest den med båndet (L).
- 8) Samle resten av kabelen med båndet (L). Den sammenrullede delen skal være ca. 140 mm.
- 9) Lukk dekelet på kretskortet for innendørsregulering. Vær forsiktig slik at den tynne delen av koblingskabelen ikke kommer i klem i dekelet. Sett inn panelet på nytt.



⚠ ADVARSEL

Fest koblingskabelen forsvarlig i den foreskrevne posisjonen. Feil montering kan føre til elektrisk støt, brann og/eller funksjonsfeil.

3. TROMPETKOPLING, RØRKOPLING

3-1. KRAGINGSARBEID

- 1) Kutt kobberøret korrekt med rørkutter. (Fig. 1, 2)
- 2) Fjern alle spor fra kuttet tverrsnitt av røret. (Fig. 3)
 - Hold enden av kobberøret pekende nedover når du fjerner grader, slik at du unngår at grader faller inn i røret.
- 3) Ta av kragemutrer festet til innvendig og utvendig enhet, sett dem så på røret som er ferdig avgradet. (Det er ikke mulig å sette dem på etter kragingsarbeid.)
- 4) Kragingsarbeid (Fig. 4, 5). Hold fast kobberøret med den dimensjonen som er vist i tabellen. Velg A mm fra tabellen i henhold til verktøyet du bruker.
- 5) Kontroll
 - Sammenlign kragingsarbeidet med Fig. 6.
 - Hvis kragen virker defekt, kutt av kragen og utfør kragingen på nytt.

Rørdiameter (mm)	Mutter (mm)	A (mm)			Tiltrekkingmoment	
		Verktøy av kløtsjtype for R32, R410A	Verktøy av kløtsjtype for R22	Verktøy av vingemutterttype for R22	N•m	kgf•cm
ø6,35 (1/4")	17	0 til 0,5	1,0 til 1,5	1,5 til 2,0	14 til 18	140 til 180
ø9,52 (3/8")	22			34 til 42	340 til 420	
ø12,7 (1/2")	26			2,0 til 2,5	49 til 61	490 til 610
ø15,88 (5/8")	29			-	68 til 82	680 til 820

3-2. RØRTILKOBLING

- Fest kragemutter med momentnøkkel som angitt i tabellen.
- Hvis den festes for stramt, kan kragemutteren brenke av etter lang tid, og føre til lekkasje av kjølemedium.
- Pass på at isoleringen pakkes godt rundt røret. Direkte kontakt med ukledte rør kan forårsake brannskader eller forfrysninger.

Tilkobling av innvendig enhet

Koble til både væske- og gassrørene til den innvendige enheten.

- Ikke påfør kjøleanleggsolje på skruvegjengene. For kraftig tiltrekkingmoment vil føre til skade på skruen.
- For tilkobling justerer du først inn senter, og trekker deretter til de første 3 til 4 omdreiningene av kragemutteren for hånd.
- Bruk tabellen over tiltrekkingmomenter ovenfor som en retningslinje for sideunionkoblingsdelen til den innvendige enheten, og trekk til med to skrunøkler. For kraftig tiltrekking skader kragen.

⚠ ADVARSEL

Gjenbrukbare mekaniske koblinger og kragede ledd er ikke tillatt innendørs. Når du kobler til kjølemediereørene ved å lodde, fullfører du all lodding før du kobler innendørsenheten til utendørsenheten.



Fig. 1

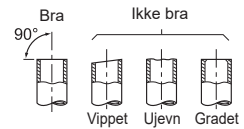


Fig. 2

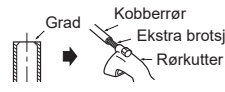


Fig. 3

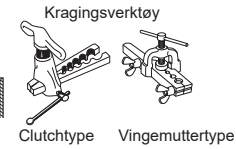


Fig. 4

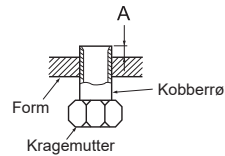


Fig. 5

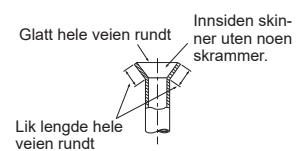
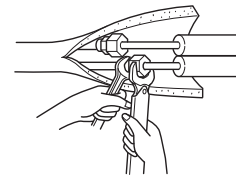


Fig. 6



⚠ ADVARSEL

Ved montering av enheten må kjølemediereørene koples forsvarlig til før kompressoren startes.

4. TESTKJØRING

4-1. TESTKJØRING

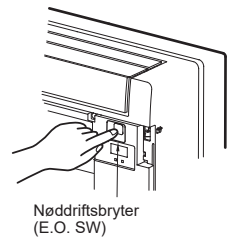
Påse at følgende er utført.

- Panelet er montert på riktig måte.
 - Innendørs- og utendørsenheter er montert på riktig måte og de forsynes med strøm.
- 1) Trykk E.O. SW en gang for KJØLING, og to ganger for OPPVARMING. Testkjøring skal utføres i 30 minutter. Hvis den venstre lampen til driftsindikatoren blinker hvert 0,5 sekund, inspiser tilkoblingsledningen til den innvendige/utvendige enheten (A) for feilkabling. Etter testkjøringen vil nødmodus (sett-temperatur 24°C) starte.
 - 2) For å stoppe driften, trykk flere ganger på E.O. SW til alle lysdiodeene slukker. Se bruksanvisningen for detaljer.

Sjekk mottaket av signalet fra fjernkontrollen (infrarødt)

Trykk på knappen ON/OFF på fjernkontrollen (10) og sjekk at en elektronisk lyd høres fra den innvendige enheten. Trykk en gang til på knappen ON/OFF for å slå av luftkondisjonereren.

- Med en gang kompressoren stopper, fungerer anordningen som hindrer gjenstart, slik at kompressoren ikke vil fungere innen 3 minutter, for å beskytte luftkondisjonereren.



Nøddriftsbryter (E.O. SW)

4-2. AUTOMATISK GJENSTARTSFUNKSJON

Dette produktet er utstyrt med en automatisk gjenstartsfunksjon. Når strømforsyningen stoppes under drift, som under strømutkoblinger, starter denne funksjonen automatisk driften i foregående innstilling med en gang strømforsyningen gjenopptas. (Se bruksanvisningen for detaljer.)

Forsiktig:

- Etter testkjøring eller sjekk av mottak av signal fra fjernkontroll, slå av enheten med E.O. SW eller fjernkontrollen før man slår av strømforsyningen. Hvis man ikke gjør det, vil enheten starte opp automatisk når strømmen kobles til igjen.

Til brukeren

- Etter installering av enheten, forsikre deg om at du forklarer brukeren om funksjonen for automatisk gjenstart.
- Hvis funksjonen for automatisk gjenoppstart ikke er nødvendig, kan den deaktiveres. Kontakt servicerepresentanten for å deaktivere funksjonen. Se servicehåndboken for detaljer.

4-3. FORKLARING TIL BRUKEREN

- Bruk BRUKSANVISNINGEN til å forklare brukeren hvordan han skal bruke luftkondisjonereren (hvordan bruke fjernkontrollen, hvordan fjerne luftfiltrene, hvordan ta ut eller sette fjernkontrollen i fjernkontrollholderen, hvordan rengjøre, forholdsregler for drift osv.).
- Anbefal brukeren å lese nøye gjennom BRUKSANVISNINGEN.

5. PUMPE NED

Se de angitte prosedyrene i installasjonshåndboken for den utvendige enheten.

ADVARSEL

Hvis det er lekkasje i kjølekretsen, skal det ikke utføres nedpumping med kompressoren. Når kjølemedium pumpes ned, må kompressoren stanses før kjølemediumrørene kobles fra. Kompressoren kan sprekke hvis det kommer luft osv. inn i den.

SISÄLTÖ

1. ENNEN ASENNUSTA.....	1
2. SISÄYKSİKÖN ASENNUS.....	4
3. AVARRUSLIITOS, PUTKILIITOS.....	8
4. KOEKÄYTTÖ.....	8
5. PUMPPUTYHJENNYS.....	9

Mallit luetaan kohdassa
1-3.

Tämä asennusopas käsittelee ainoastaan sisäyksikköä. Katso ulkoyksikön asennusoppaasta lisätietoja ulkoyksiköiden määrittämisestä.

Asennustyökalut

Ristipääruuviavain	Avarrustyökalu, R32, R410A
Vesivaaka	Mittarin jakoputki, R32, R410A
Mitta	Alipainepumppu, R32, R410A
Yleisveitsi tai sakset	Täytötietku, R32, R410A
75 mm:n reikäsaha	Putkileikkuri ja kalvin.
Momenttiavain	Vesipullo 0,9–1,0 l vettä
Jakoavain (tai ruuviavain)	

1. ENNEN ASENNUSTA

SISÄ- JA/TAI ULKOYKSIKKÖÖN MERKITYJEN KUVAKKEIDEN MERKITYKSET

	VAROITUS (Palovaara)	Tässä yksikössä käytetään tulenarkaa kylmäainetta. Jos kylmäaine vuotaa ja joutuu kosketuksiin tulen tai lämmitysosan kanssa, syntyy haitallista kaasua ja tulipalon vaara on olemassa.
		Lue KÄYTTÖOHJEET huolellisesti ennen käyttöä.
		Huoltohenkilöstön on luettava KÄYTTÖOHJEET ja ASENNUSOPAS huolellisesti ennen käyttöä.
		Lisätietoja on KÄYTTÖOHJEISSA, ASENNUSOPPAASSA ja vastaavissa asiakirjoissa.

1-1. TURVAOHJEET JA VAROITUKSET

- Lue "TURVAOHJEET JA VAROITUKSET" ennen ilmastointilaitteen asennusta.
- Noudata aina kohdassa kuvattuja varoituksia ja varotoimia, sillä niissä on turvallisuuden kannalta tärkeitä tietoja.
- Säilytä tämä opas KÄYTTÖOHJEIDEN kanssa myöhempiä käyttöä varten.

VAROITUS (Voi johtaa kuolemaan tai vakavaan henkilövahinkoon jne.)

- **Älä asenna laitetta itse (käyttäjänä).**
Puutteellinen asennus saattaa aiheuttaa tulipalon tai sähköiskun, laitteen putoamisesta johtuvan henkilövahingon tai vesivuodon. Ota yhteys tuotteen jälleenmyyjään tai valtuutettuun asentajaan.
- **Suorita asennus turvallisesti ja asennusoppaan ohjeiden mukaan.**
Puutteellinen asennus saattaa aiheuttaa tulipalon tai sähköiskun, laitteen putoamisesta johtuvan henkilövahingon tai vesivuodon.
- **Käytä turvallisuusyksiä laitteen asennuksen aikana asianmukaisia suojavarusteita ja työkaluja.**
Muutoin seurauksena voi olla henkilövahinko.
- **Asenna laite tukevasti paikkaan, jossa rakenne on riittävän vahva kantamaan sen painon.**
Jos asennuspaikan rakenne ei kestä laitteen painoa, laite saattaa pudota ja aiheuttaa henkilövahinkoja.
- **Varmista, että sähköasennuksen suorittaa pätevä ja kokenut sähköasentaja ja että se suoritetaan asennusoppaan mukaan.** Käytä aina erillistä piiriä, äläkä kytke samaan piiriin muita sähkölaitteita.
Jos piirin teho ei riitä tai sähköasennuksessa on puutteita, seurauksena saattaa olla tulipalo tai sähköisku.
- **Maadoita laite asianmukaisesti.**
Älä kytke maadoitusjohdinta kaasu- tai vesiputkeen, ukkosenjohdotuksen tai puhelimen maadoitusjohdotukseen. Virheellinen maadoitus voi aiheuttaa sähköiskun.
- **Älä vahingoita johtoja käyttämällä liikaa voimaa komponenttien tai ruuvien käsittelyssä.**
Vahingoittuneet johdot saattavat aiheuttaa tulipalon tai sähköiskun.
- **Varmista, että katkaiset verkkovirran ennen sisäyksikön piirilevyn tai johtojen asennusta.**
Muutoin seurauksena voi olla sähköisku.
- **Kytke sisä- ja ulkoyksiköt turvallisesti käyttämällä määritettyjä johtoja. Kytke johdot tukevasti riviliittimeen niin, että johtimet eivät vedä tai aiheuta liitäntäosiin rasitusta. Älä käytä jatkojohtoja tai väliliitäntöjä.**
Jos johtoja ei kytketä ja kiinnitetä asianmukaisesti, seurauksena saattaa olla tulipalo.
- **Laitetta ei saa asentaa paikkaan, jossa saattaa esiintyä tulenarkeita kaasujen vuotoja.**
Jos vuotoa kaasua kerääntyy laitteen lähelle, seurauksena saattaa olla räjähdys.
- **Virtajohtoon ei saa kytkeä väliliitäntöjä tai jatkojohtoja eikä samaan pistorasiaan saa kytkeä useita laitteita.**
Muutoin seurauksena saattaa olla esimerkiksi viallisen kontaktin tai eristyksen tai sallitun tehon ylityksen aiheuttama tulipalo tai sähköisku.
- **Varmista, että käytät tuotteen mukana toimitettuja tai asennusta varten määritettyjä osia.**
Virheellisten osien käyttö saattaa johtaa esimerkiksi tulipalon, sähköiskun tai laitteen putoamisen aiheuttamaan henkilövahinkoon tai vesivuotoon.
- **Varmista ennen virtajohtoon kytkemistä, että pistorasiassa tai pistokkeessa ei ole pölyä, tukoksia tai irto-osia. Varmista, että työntät pistokkeen pistorasiaan kokonaan.**
Jos pistokkeessa tai pistorasiassa on pölyä, tukoksia tai irto-osia, seurauksena saattaa olla sähköisku tai tulipalo. Jos pistokkeessa on irrallisia osia, vaihda pistoke.
- **Kiinnitä sisäyksikön sähköosien suojus ja ulkoyksikön huoltoluukku tukevasti paikalleen.**
Jos niitä ei kiinnitetä paikalleen tukevasti, seurauksena saattaa olla esimerkiksi pölyn tai veden aiheuttama sähköisku tai tulipalo.
- **Varmista laitteen asennuksen, siirron tai huollon yhteydessä, että jäähdytyspiiriin ei pääse mitään muuta ainetta kuin määritettyä kylmäainetta (R32/R410A).**
Jos piiriin pääsee vieraita aineita, kuten ilmaa, seurauksena saattaa olla liiallinen paineen nousu sekä räjähdys tai henkilövahinko. Muun kuin järjestelmälle määritetyn kylmäaineen käyttäminen aiheuttaa mekaanisen vian, järjestelmän toimintahäiriön tai laitevaurion. Pahimmassa tapauksessa se voi tehdä tuotteesta vaarallisen.
- **Älä tee yksikköön muutoksia.**
Se voi aiheuttaa tulipalon, sähköiskun, henkilövahingon tai vesivuodon.
- **Kylmäaine ei saa antaa purkautua ilmaan. Jos kylmäainetta pääsee vuotamaan asennuksen aikana, tuuleta huone. Varmista asennuksen päätteeksi, että kylmäainetta ei vuoda.**
Jos kylmäainetta pääsee vuotamaan ja joutuu kosketuksiin tulen tai lämmitysosan, kuten lämpöpuhaltimen, kerosiinilämmityslaitteen tai keittolieden kanssa, se synnyttää haitallista kaasua. Ilmanvaihdon on oltava EN378-1-standardin mukainen.
- **Käytä asennuksessa asianmukaisia työkaluja ja putkimateriaaleja.**
R32/R410A:n paine on 1,6 kertaa suurempi kuin R22:n paine. Jos asennusta ei suoriteta oikein tai asianmukaisia työkaluja ja materiaaleja ei käytetä, seurauksena saattaa olla henkilövahinko tai putken halkeaminen.
- **Jos jäähdytyspiirissä on vuoto, älä tyhjennä pumppaamalla käyttämällä kompressoria. Kun kylmäainetta tyhjennetään pumppaamalla, kompressori on pysäytettävä ennen kylmäaineputkien irrottamista.**
Jos kylmäaineputket irrotetaan kompressorin ollessa käynnissä ja sulkuventtiiliin ollessa auki, putkeen saattaa päästä ilmaa ja kylmäainesyklin paine kohota liikaa. Tällöin seurauksena voi olla henkilövahinko tai putkien halkeaminen.
- **Asenna maavuotokytkin, jos asennuspaikka edellyttää sitä.**
Jos maavuotokytintä ei asenneta, seurauksena saattaa olla sähköisku.
- **Kun laitetta asennetaan, kylmäaineputket on kytkettävä tukevasti ennen kompressorin käynnistystä.**
Jos kompressori käynnistetään ennen kylmäaineputkien kytkemistä ja sulkuventtiiliin ollessa auki, putkeen saattaa päästä ilmaa ja kylmäainesyklin paine kohota liikaa. Tällöin seurauksena voi olla henkilövahinko tai putkien halkeaminen.
- **Kiristä kaulusmutteri momenttiavaimella tämän oppaan ohjeiden mukaan.**
Jos mutteria kiristetään liikaa, se voi rikkoutua pitkässä käytössä ja aiheuttaa kylmäainevuodon.
- **Laite on asennettava maakohtaisten sähköasennussääntöjen mukaan.**
- **Käytettäessä kaasupoltinta tai muuta liekin aikaan saavaa laitetta poista kylmäaine kokonaan ilmastointilaitteesta ja varmista, että alue on hyvin tuuletettu.**
Jos kylmäaine vuotaa ja joutuu kosketuksiin tulen tai lämmitysosan kanssa, syntyy haitallista kaasua ja tulipalon vaara on olemassa.
- **Älä yritä nopeuttaa sulatusta tai puhdistaa laitetta muutoin kuin valmistajan ohjeiden mukaisesti.**
- **Laite on säilytettävä huoneessa, jossa ei ole jatkuvasti toimivia syttymislähteitä (esimerkiksi avotuli, toimiva kaasulaite tai toimiva sähkölämmitin).**
- **Älä puhkaise tai polta.**
- **Kylmäaineet voivat olla hajuttomia.**
- **Putkisto on suojattava fyysisiltä vaurioilta.**
- **Putkiston asennustyöt on pidettävä mahdollisimman vähäisinä.**
- **Maakohtaisia kaasusääntöjä on noudatettava.**
- **Pidä vaaditut tuuletusaukot vapaina.**
- **Tilassa, jossa tehdään ilmastointilaitteiden asennus- tai korjaustöitä tai muita niihin liittyviä töitä, ei saa olla kaasulaitteita, sähkölämmittimiä tai muita syttymislähteitä.**
- **Säilytä laitetta hyvin ilmastoidussa tilassa, jonka koko vastaa käyttöä varten määritettyä pintalaa.**
- **Käännä katkaisin OFF-asentoon vain, jos häiritä palaneen käryä tai kun huollat tai tarkastat yksikköä.**
Sisäyksikköön kiinnitetyn kylmäainesensorin virransyöttö ei toimi, ja sensori ei pysty havaitsemaan kylmäainevuotoa. Tämä saattaa aiheuttaa tulipalon.
- **Kiinnitä yhdyskaapeli pitävästi määrättyyn paikkaan.**
Virheellinen asennus saattaa aiheuttaa sähköiskun, tulipalon ja/tai toimintahäiriön.

- **Poistoputki- ja putkiasennus on suoritettava turvallisesti ja asennusoppaan ohjeiden mukaan.**
Jos poistoputki- ja putkiasennuksessa on puutteita, laitteesta saattaa vuotaa vettä, joka kastelee ja vahingoittaa kotia ja esineistöä.
- **Älä kosketa ulkoyksikön ilmansyöttöä tai alumiinisäleikköä.**
Se saattaa aiheuttaa vakavan henkilövahingon.
- **Käytä suojavarusteita, kun kosketat ulkoyksikön pohjaa.**
Seurauksena voi olla henkilövahinko, jos suojavarusteita ei käytetä.
- **Ulkoyksikköä ei saa asentaa alueelle, jonne saattaa päästä pieniä eläimiä.**
Jos eläimet pääsevät laitteen sisään ja koskettavat sen sähköosia, seurauksena saattaa olla toimintahäiriö, savua tai tulipalo. Käyttäjää on myös neuvottava pitämään laitetta ympäröivä alue siistinä.
- **Älä käytä ilmastointilaitetta sisätilojen rakennus- ja viimeistelytöiden tai lattioiden vahauksen aikana.**
Tuuleta huone hyvin tällaisen työn jälkeen ennen ilmastointilaitteen käyttöä. Muussa tapauksessa haihtuvat aineet saattavat joutua ilmastointilaitteeseen ja aiheuttaa vesivuodon tai tiikumista.
- **Älä asenna yksikköä paikkaan, johon pääsee savua, kaasua tai lääkettä.**
Sisäyksikköön kiinnitetty kylmäainesensori voi reagoida näihin aineisiin ja laukaista kylmäainevuodon virheilmoituksen.
- **Varo pyörivää tuuletinta, kun katkaisin on ON-asennossa.**
Kun kylmäainesensori havaitsee kylmäainevuodon, tuuletin alkaa pyöriä automaattisesti. Tämä saattaa johtaa loukkaantumiseen.
- **Jos käytät sisätilojen rakennus- ja viimeistelytöiden yhteydessä tai seinäreiän paikkaamiseen aerosolisuihkeita, sammuta katkaisija ja tuuleta huone hyvin. Kylmäainesensori voi reagoida sumutinpullojen kaasuun ja aiheuttaa väärän virheilmoituksen.**

1-2. ASENNUSPAIKAN VALINTA

Tässä oppaassa kuvataan ainoastaan sisäyksikön asennus. Tutustu ulkoyksikön asennuksen aikana ulkoyksikön asennusoppaaseen.

SISÄYKSIKKÖ

⚠ ⚠ VAROITUS

Tämä yksikkö on asennettava huoneisiin, joiden lattiapinta-ala on suurempi kuin ulkoyksikön asennusoppaassa määritetty lattiapinta-ala.

- Lisätietoja on ulkoyksikön asennusoppaassa.

Seuraavien ehtojen on täyttyvä sisäyksiköitä asennettaessa:

- Ilma pääsee virtaamaan esteettömästi.
- Viileä (tai lämmin) ilma leviää koko huoneeseen.
- Seinä on tukeva eikä siinä esiinny tärinää.
- Laite ei altistu suoralle auringonvalolle. Ei saa altistaa suoralle auringonvalolle myöskään pakkauksesta purkamisen ja käytön välisenä aikana.
- Tyhjennys on helppo järjestää.
- Etäisyys televisioon ja radioon on vähintään 1 m. Ilmastointilaitteen käyttö saattaa häiritä televisio- tai radiovastaanottoa. Häiriön kohteena olevaa laitetta varten saatetaan tarvita vahvistin.
- Mahdollisimman kaukana loiste- ja hehkulampuista. Näin ne eivät häiritse ilmastointilaitteen infrapunakaukosäätimen toimintaa. Lampujen kuumuus ja ultraviolettisäteily saattavat vaurioittaa laitetta.
- Ilmasuodattimen voi poistaa ja asettaa paikalleen helposti.
- Kaukana muusta lämmön tai höyryn lähteestä.
- Älä asenna yksikköä ympäristöön, jossa käytetään propaania, butaania tai metaania käyttäviä kaasulaitteita, suihkutettavia aineita kuten hyönteismyrkkyjä, savua aiheuttavia laitteita, pinnoitteita tai lääkkeitä tai paikkaan, jossa syntyy rikkipohjaisia kaasuja.
- Sisäyksikköön kiinnitetty kylmäainesensori voi reagoida niihin ja laukaista kylmäainevuodon virheilmoituksen. Tämä saattaa johtaa siihen, että yksikkö ei enää toimi.

Jos laite kytketään R32-kylmäainetta käyttävään ulkoyksikköön, asenna sisäyksikkö huoneeseen, jonka lattiapinta-ala on vähintään Amin, kylmäainetta M vastaavalla tavalla (tehtaalla täytetty kylmäaine + paikallisesti lisätty kylmäaine). Kylmäaineen määrää ja lisäämistä koskevat samat ohjeet kuin ulkoyksikköä.

M [kg]	Amin [m ²]	
1,00	Ei vaatimuksia	
1,10		
1,20		
1,30		
1,40		
1,50		
1,60		
1,70		
1,80		
1,84		3,63
1,90		3,75
2,00		3,95
2,10		4,15
2,20		4,34
2,30	4,54	
2,40	4,74	

Katso kylmäaineen lisäysohjeet ulkoyksikön asennusoppaasta.

KAUKOSÄÄDIN

Suositteluja olosuhteita kaukosäätimen säilyttämiseksi ovat:

- Kaukosäädin on hyvin näkyvillä ja sitä on helppo käyttää.
- Se ei ole lasten ulottuvilla.
- Valitse noin 1,2 m lattian yläpuolella oleva paikka. Tarkista, että sisäyksikkö kykenee vastaanottamaan tästä paikasta lähtevät kaukosäätimen signaalit häiriöttä (laitteesta kuuluu yksi tai kaksi piippausta).

Huomautus:

Jos huoneessa käytetään invertterityyppisiä loistelamppuja, laite ei ehkä kykene vastaanottamaan langattoman kaukosäätimen signaaleja.

Huomautus:

Seuraavien tyyppisiä sijoituspaikkoja kannattaa välttää, sillä niissä voi esiintyä ilmastointilaitteelle haitallisia ongelmia:

- tulenarkojen kaasujen vuotomahdollisuus
- paljon koneöljyä
- roiskuvaa öljyä tai öljyistä savua (kuten keittiöt ja tehtaet, joissa laitteen muoviosat saattaisivat vaurioitua)
- suuri suolapitoisuus, esimerkiksi merenranta-alue
- sulfidikaasun muodostusta, esimerkiksi kuumia lähteitä, lika- ja jätevetä
- käytössä on korkeataajuuksulaitteita tai langattomia laitteita
- paikat, joissa esiintyy korkeita haihtuvien orgaanisten yhdisteiden, kuten ftalaattiyhdisteiden ja formaldehydin, pitoisuuksia. Ne voivat aiheuttaa kemiallista halkeilua.
- Laite on säilytettävä siten, että estetään mekaaniset vauriot.

1-3. TEKNISET TIEDOT

Malli	Verkkovirta *1		Johtimien tekniset tiedot *2		Putkien koot (paksuus *3, *4, *5, *6)		Eristyspaksuus *7, *8
	Nimellisjännite	Taajuus	Sisä-/ulkoyksikön kytkentäjohtin	Kaasu	Neste		
MFZ-KT25VG	230 V	50 Hz	4-johdin 2,0 mm ²	ø9,52 mm (0,8 mm)	ø6,35 mm (0,8 mm)	14 mm	
MFZ-KT35VG				ø12,7 mm (0,8 mm)			
MFZ-KT50VG				ø15,88 mm (0,8 mm)			
MFZ-KT60VG							

*1 Laite on kytkettävä kytkimeen, jossa on avoimena väh. 3 mm:n rako ja joka keskeyttää lähteen vaiheen. (Kun virtakytkintä painetaan, kaikkien vaiheiden on keskeydyttävä.)
 *2 Käytä 60245 IEC 57 -määritysten mukaisia johtimia.
 *3 Älä koskaan käytä putkia, jotka ovat mainittuja ohuempia, sillä ne eivät ole riittävän painekestäviä.

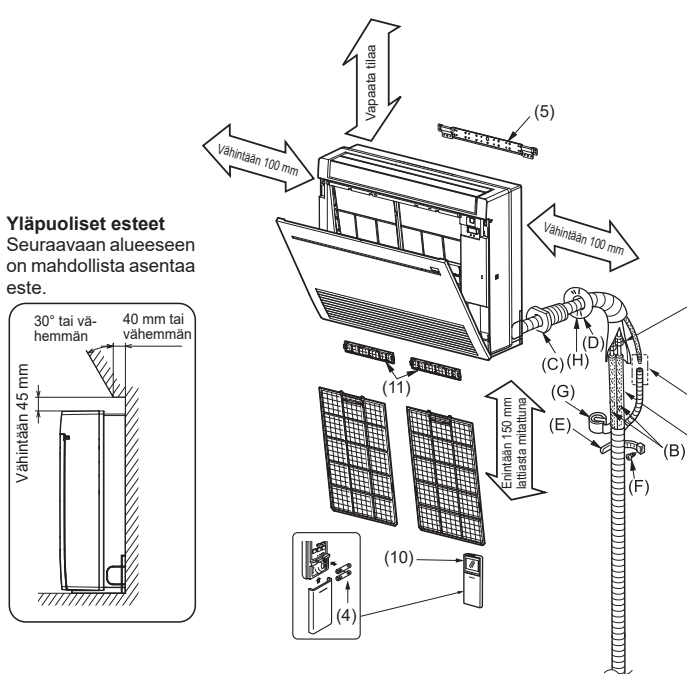
*4 Käytä kupariputkia tai saumattomia kupariseosputkia.
 *5 Varo painamasta tai vääntämästä putkea taivutuksen aikana.
 *6 Kylmäaineputken taivutussäteen on oltava vähintään 100 mm.
 *7 Eristysmateriaali: lämmönkestävä vaahtomuovi, ominaispaino 0,045.

*8 Varmista, että käytät määritetyin paksuista eristystä. Liian paksu eristys saattaa aiheuttaa virheitä sisäyksikön asennukseen ja liian vähäinen eristys saattaa aiheuttaa tiputusta.

1-4. ASENNUSKAAVIO

Tutustu ulkoyksikön asennuksen aikana ulkoyksikön asennusoppaaseen.

Putkien teknisten tietojen taulukossa ei anneta putkiston vähimmäispituutta. Sisäyksiköt, joiden liitetyn putkiston pituus on alle 3 m, saattavat kuitenkin aiheuttaa ajoittaista melua järjestelmän normaalin toiminnan aikana erittäin hiljaisissa ympäristöissä. Ota tämä tärkeä tieto huomioon, kun asennat ja sijoitat sisäyksikköä ilmastointilaan.



Varmista käyttämällä seinäreiän holkkia (C) että sisä-/ulkoyksikön kytkentäjohtin (A) ei pääse koskettamaan seinän metalliosia. Holkki estää myös jyrjsijöiden mahdollisesti aiheuttamat vahingot, jos seinärakenne on onntto.

Seinäreiän holkki (C) Seinäreiän suojus (D) Tiivistä seinäreikä kitillä (H). Kiinnitä putki seinään putken kiinnikkeellä (E). Leikkaa kiinnike sopivan pituiseksi. Putken kiinnike (E) Kiinnitysruuvi (F)

Tiivistä putki vuototestin jälkeen eristysmateriaalilla ja varmista, että eristykseen ei jää rajoja.

Suojaa liitäntäosa teipillä, joka estää vesivuodot.

Jos putket on kiinnitettävä metallia (tinapäälystys) tai metalliverkkoa sisältävään seinään, aseta seinän ja putken väliin vähintään 20 mm:n paksuinen kemiallisesti käsitelty puuvälike tai kiedo putkeen vinyyliteippiä. Jos asennuksessa on tarkoitus käyttää entisiä putkia, käytä laitetta COOL (Vileä) -toiminnolla 30 minuutin ajan ja suorita pumpputyhjennys ennen vanhan ilmastointilaitteen poistoa. Tee uusi putkiavarrus uuden kylmäaineen mukaan.

VAROITUS

Palovaaran välttämiseksi upota tai suojaa kylmäaineputket. Kylmäaineputkien ulkoiset vauriot voivat aiheuttaa tulipalon.

Laitteen saa asentaa vain valtuutettu asentaja ja paikallisten määräysten mukaisesti.

LISÄVARUSTEET
Tarkista seuraavat osat ennen asennusta.

(1) Poistoletku*	1
(2) Putkisuojia	1
(3) Hihna	2
(4) Paristo (AAA), (10)	2
(5) Sisäyksikön asennuskannatin	1
(6) Kiinnitysruuvi, (5), 4 x 25 mm	5
(7) Puuruuvi sisäyksikön kiinnitystä varten	4
(8) Puuruuvin (7) aluslevy	4
(9) Huopateippi (vasemman putkeen tai vasempaan takaputkeen)	1
(10) Langaton kaukosäädin	1
(11) Ilmanpuhdistussuodatin	2
(12) Liitosputki (Vain KT60)	1
(13) Liitosputken putkisuojia (Vain KT60)	1
(14) Katkaisinmerkintä	1
(15) Katkaisimen huomautukset	1

ASENNUSPAIKALLA TARVITTAVAT TARVIKKEET

(A) Sisä-/ulkoyksikön kytkentäjohtin*	1
(B) Jatkoputki	1
(C) Seinäreiän holkki	1
(D) Seinäreiän suojus	1
(E) Putken kiinnike	2-5
(F) Kiinnitysruuvi, (E), 4 x 20 mm	2-5
(G) Putkiteippi	1
(H) Kittä	1
(J) Poistoletku (tai pehmeä PVC-letku, sisähalkaisija 15 mm, tai kova PVC-putki VP16)	1 tai 2
(K) Virtajohto*	1
(L) Hihna (vain Wi-Fi-liitännälle)	2

* Huomautus:
Sijoita sisä-/ulkoyksikön kytkentäjohtin (A) ja virtajohto (K) vähintään 1 m:n etäisyydelle televisioantennin johtimesta.

* Huomautus:
Poistoletku on liitettävä yksikköön.

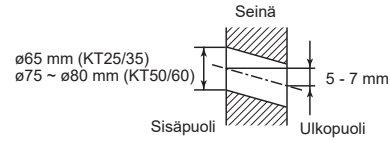
2. SISÄYKSİKÖN ASENNUS

2-1. SISÄYKSİKÖN ASENNUSKANNATTIMEN KIINNITYS

- Asenna sisäyksikkö enintään 150 mm korkeudelle.
- Paikanna seinästä sopiva rakenne (esimerkiksi pystytuki) ja kiinnitä asennuskannatin (5) vaakasuoraan kiinnitysruuveilla (6).
- Ehkäise asennuskannattimen (5) värinä varmistamalla, että kiinnitysruuvit asetetaan kuvan mukaisiin reikiin. Kiinnitystä voi tukea asettamalla ruuvit myös muihin reikiin.

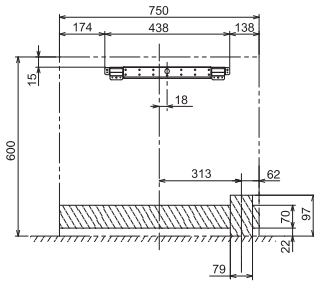
2-2. REIÄN PORAUS

- 1) Merkitse reiän sijainti seinällä.
- 2) Pora halkaisijaltaan 65 mm:n reikä (75 ~ 80 mm KT50/60-mallille). Seinän ulkopuolella reiän on oltava 5-7 mm sisäpuolen reikää alempana.
- 3) Aseta holkki (C) reikään.

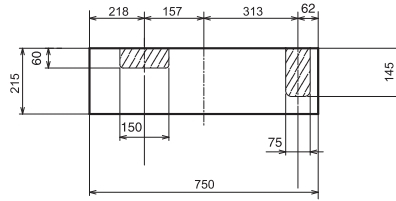


REIKIEN PAIKAT

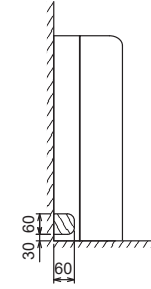
TAKAPUTKI TAI VASEN TAKAPUTKI
(Alla oleva kuva esittää sisäyksikön asennuspaikkaa edestä katsottuna.)



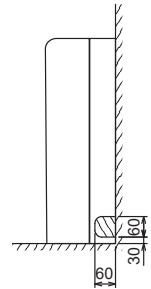
OIKEAN- TAI VASEMMANPUOLEINEN ALA-PUTKI
(Alla oleva kuva esittää sisäyksikön pohjaa ylhäältä katsottuna.)



VASEN PUTKI



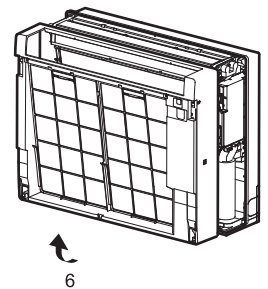
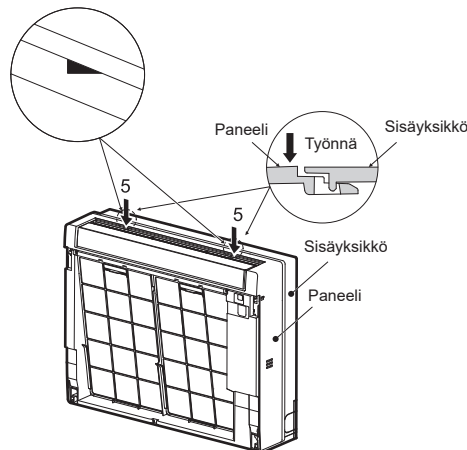
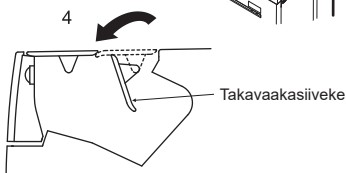
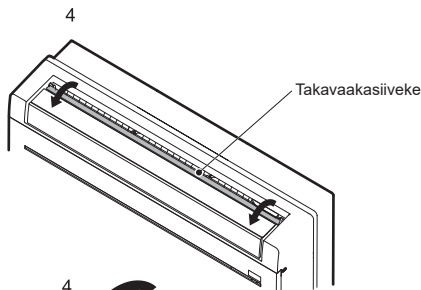
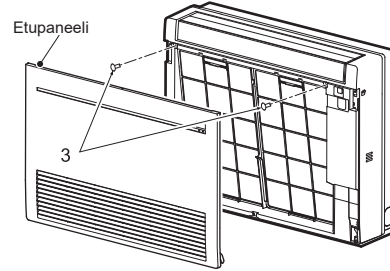
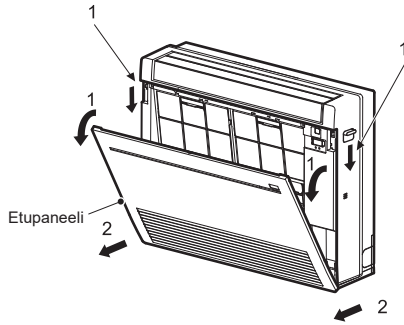
OIKEA PUTKI



2-3. SISÄYKSİKÖN VALMISTELU

Irrota sisäyksikön etupaneeli.

- 1) Avaa etupaneeli painamalla yksikön molemmilla puolilla olevat läpät alas.
- 2) Irrota etupaneeli vetämällä sitä itseäsi kohti.
- 3) Irrota 2 ruuvia.
- 4) Avaa takavaakasiiveke.
- 5) Työnnä paneelin päältä 2 kohdasta ja vedä sitten paneelin yläosaa itseäsi kohti.
- 6) Irrota paneeli nostamalla sitä (kevyesti).



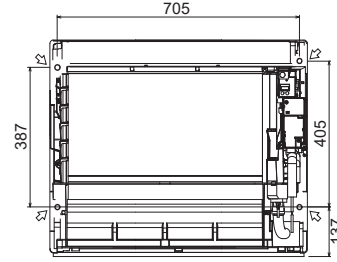
2-4. SISÄYKSİKÖN ASENNUS

2-4-1. SISÄYKSİKÖN ASENNUS LATTIALLE

- 1) Aseta sisäyksikkö tasaiselle lattialle.
- 2) Kiinnitä sisäyksikkö 4 pisteestä laitteen mukana toimitetuilla puuruuveilla (7) ja aluslevyillä (8). Kiristä ruuvit huolellisesti.

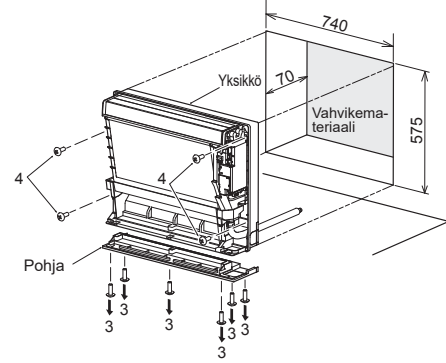
2-4-2. SISÄYKSİKÖN ASENNUS SEINÄLLE

- 1) Ripusta sisäyksikön yläosa asennuskannattimeen (5).
- 2) Kiinnitä sisäyksikkö 4 pisteestä laitteen mukana toimitetuilla puuruuveilla (7) ja aluslevyillä (8). Kiristä ruuvit huolellisesti.



2-4-3. SISÄYKSİKÖN UPOTUS SEINÄÄN

- 1) Tee seinään reikä.
- 2) Säädä syvyyttä vahvikemateriaalilla.
- 3) Irrota 6 ruuvia, joilla pohja on kiinnitetty yksikköön. Irrota pohja yksiköstä.
- 4) Kiinnitä sisäyksikkö 4 pisteestä laitteen mukana toimitetuilla puuruuveilla (7) ja aluslevyillä (8). Kiristä ruuvit huolellisesti.



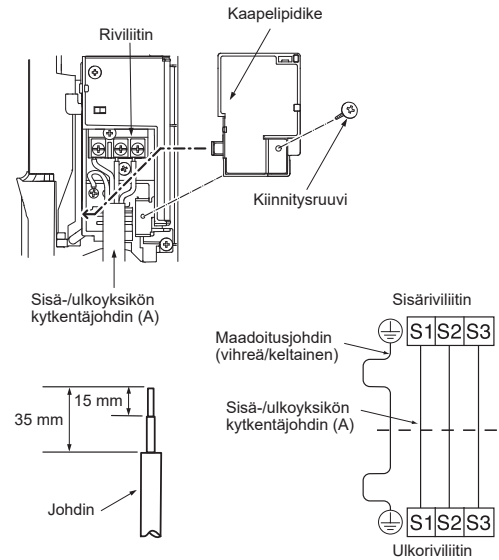
2-5. SISÄYKSİKÖN JOHTIMIEN KYTKENTÄ

- 1) Poista kaapelipidike.
- 2) Vie sisä-/ulkoyksikön kytkentäjohdin (A) sisäyksikön takaa ja valmista johtimen pää.
- 3) Löysää riviliittimen ruuvia. Kytke ensin maadoitusjohdin ja sitten sisä-/ulkoyksikön kytkentäjohdin (A) riviliittimeen oikeaan paikkaan. Varo, ettet kytke johtoja väärin. Kytke johdin riviliittimeen tukevasti niin, että sen ydin ei ole esillä missään kohtaa. Varmista myös, että riviliittimen liitäntäosiin ei kohdistu ulkoista rasitusta.
- 4) Kiristä riviliittimen ruuvit tukevasti, jotta ne eivät löystyisi käytössä. Tarkista vetämällä kiristettyjä johtimia kevyesti, että ne eivät pääse liikkumaan.
- 5) Kytke sisä-/ulkoyksikön kytkentäjohdin (A) ja maadoitusjohdin kaapelipidikkeeseen. Muista aina kytkeä kaapelipidikkeen vasen puoli. Kiinnitä kaapelipidike tukevasti.

- Jätä maadoitusjohdin hiukan muita pidemmäksi (vähintään 45 mm).
- Jätä kytkentäjohtimiin hiukan lisäpituutta myöhempää huoltoa varten.
- Älä taita johtimien ylimääräistä osaa tai ahda sitä pieneen tilaan. Varo vahingoittamasta johtimia.
- Kiinnitä kaikki ruuvit niitä vastaaviin liitäntöihin, kun kiinnität johdon tai johtimen riviliittimeen.

VAROITUS

Kun laitetta asennetaan, kylmäaineputket on kytkettävä tukevasti ennen kompressorin käynnistystä.



2-6. PUTKIEN MUOVAUS JA ASENNUS

Huomautus: Katso kohta 3. AVARRUSLIITOS, PUTKILIITOS.

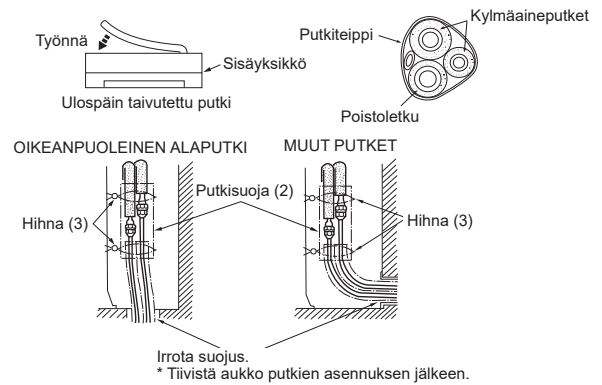
Putkimuovaus

- Johda poistoletku vinottain yhdysputkien välistä.
- Varmista, että poistoletku ei suuntaudu ylöspäin ja että letkussa ei ole mutkia.
- Älä vedä letkua teipin kiinnittämisen yhteydessä.
- Johda putki niin, että se ei työnny sisäyksikön takaosan ulkopuolelle. (Katso oikealla olevaa kuvaa.)

Yhdysputkien asennus

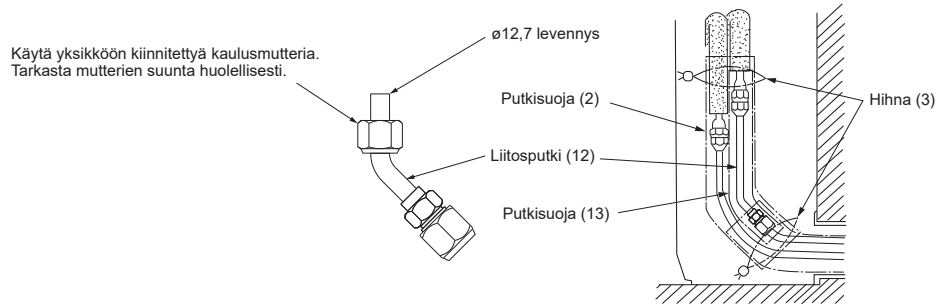
- Asenna yhdysputket siten, että putket pääsevät liikkumaan hieman joka suuntaan.
- Kun kansi ei ole paikallaan, suojaa putket niin, että putkien asennuksen jälkeen yksikään putki ei ole ilman suojaa.
- Tiivistä aukko putkien asennuksen jälkeen.

- Eristä yhdysputket, jotta ne eivät koske paneeliin.
- Taivuta yhdysputkia varovasti, jotta ne eivät murskaudu.



MFZ-KT60

- Käytä liitosputkea (12), muussa tapauksessa $\varnothing 15,88$:n jatkoputkea ei voida kiinnittää.
- Levennä liitosputkea (12) halkaisijaan $\varnothing 12,7$ ja kiinnitä putkisuoja (13).



VASEN PUTKI TAI VASEN TAKAPUTKI

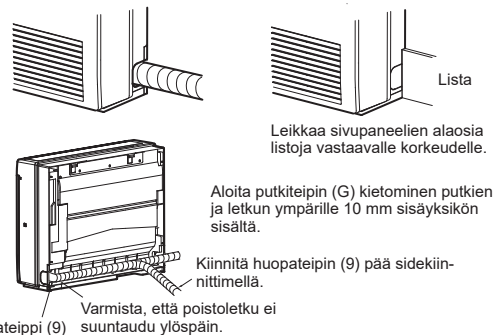
Niputa yhdysputket ja poistoletku yhteen ja kiedo niiden ympärille huopateippiä (9).

Leikkaa sisäyksikön vasemman- ja oikeanpuoleisten sivupaneelin alaosat ja käytä niitä kuvan mukaisesti.

Hio sivupaneelin leikkausreunat, jotta ne eivät vaurioita eristeen päällystystä.

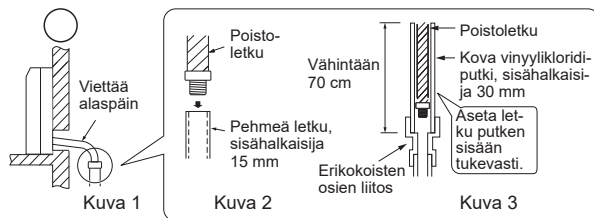
- Vasemman- tai oikeanpuoleiset putket
- Asennus tiiviisti vasten seinää, jossa on lista

Kiedo putkien ja letkun ympärille tiiviisti huopateippiä (9) alkaen kohdasta, josta putket ja letku on johdettu pois sisäyksiköstä. (Huopateipin (9) reunat saavat olla päällekkäin enintään 1/2 teipin leveydestä.)

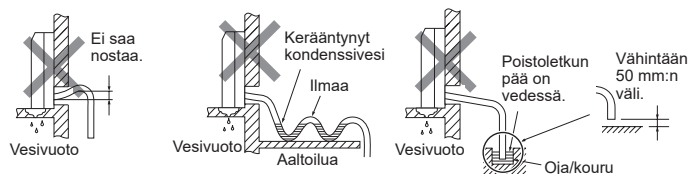


2-7. POISTOPUTKI

- Jos poistoletkun jatke viedään sisätilan kautta, sen ympäri on kiedottava yleisesti saatavana olevaa eristysmateriaalia.
- Poistoletkun on vietävä alaspäin virtauksen helpottamiseksi (Kuva 1).
- Jos sisäyksikön mukana toimitettu poistoletku on liian lyhyt, siihen voidaan liittää asennuspaikalla jatkoletku (J) (Kuva 2).
- Sulje tuotteen poistoletkun ja poistoletkun jatkeen välinen (sisähalkaisija 16 mm) (J) kytkentä teipillä tai jollain muulla materiaalilla.
- Jos poistoletku liitetään kovan vinyylilokridiputkeen, se on asetettava tukevasti putken sisään (Kuva 3).

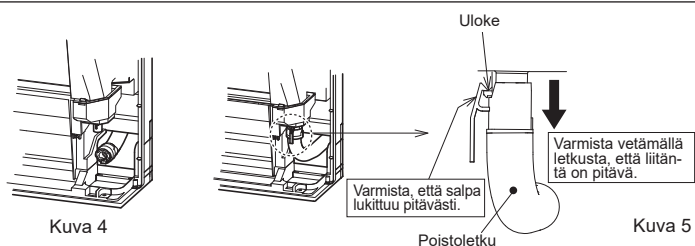


Poistoputkia ei saa asentaa seuraavan kuvan mukaan.



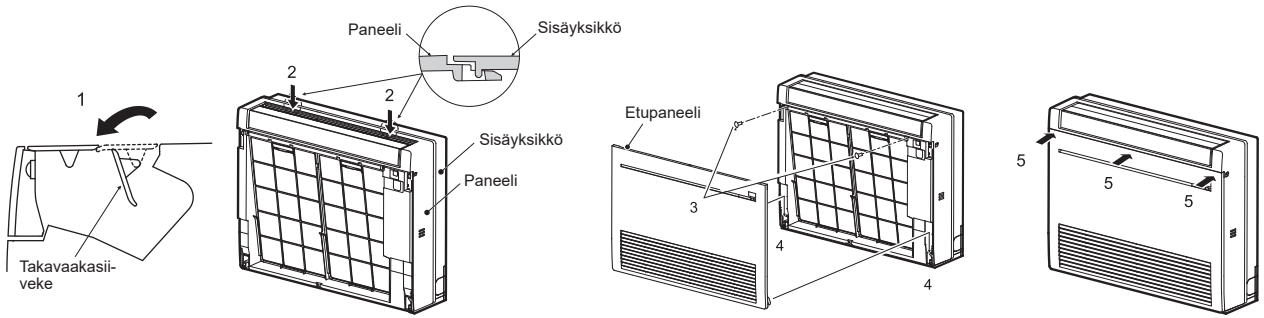
Poistoletku irrotetaan asennuksen ajaksi.

- Varmista, että poistoputki (1) johdetaan kuvan mukaisesti. (Kuva 4)
- Aseta poistoletku kokonaan poistoastian alaosaan. (Kuva 5)
- Varmista, että poistoletkun salpa on lujasti kiinni poistoastian letkuliitännän ulokkeessa.
- Kun poistoletku on liitetty, varmista vetämällä letkusta, että liitäntä on pitävä.



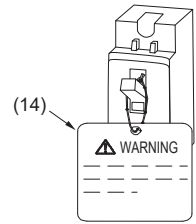
2-8. ETUPANEELIN ASENNUS

- 1) Avaa takavaakasiiveke.
- 2) Kiinnitä paneeli. Varmista, että salvat ovat kiinni.
- 3) Kiinnitä paneeli ruuveilla.
- 4) Aseta etupaneelin alaosa paikalleen.
- 5) Sulje etupaneeli painamalla paneelin yläosan 3 kohdasta.



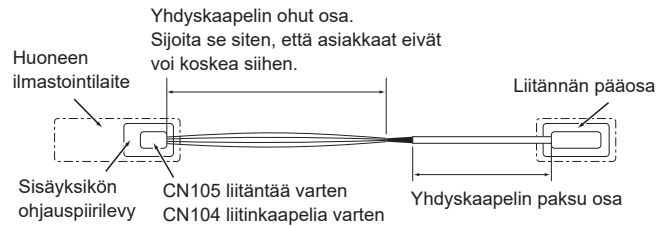
2-9. TARRAN JA SELITTEEN KIIINNITYS

Katkaisimen on oltava aina ON-asennossa, paitsi silloin kun yksikköä huolletaan tai tarkastetaan. Kiinnitä mukana toimitettu tarra (14) tai (15) katkaisimeen ja selitä sen sisältö asiakkaille. Kun katkaisin on OFF-asennossa, sisäyksikköön kiinnitetyn kylmäainesensorin virta ei ole kytketty eikä kylmäainevuotoa voi silloin havaita. Huomautus: Kun sisä- ja ulkoyksikön virtalähteisiin on erilliset johdotukset, kiinnitä mukana toimitettu tarra (14) tai (15) sisäyksikön katkaisimeen ja selitä sen sisältö asiakkaille.

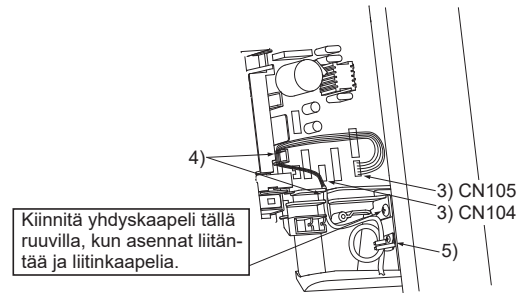


2-10. LIITÄNNÄN TAI LIITINKAAPELIN (lisävarusteita) KYTKEMINEN ILMASTOINTILAITTEESEEN

- Kytke liitäntä tai liitinkaapeli ilmastointilaitteen sisäyksikön ohjauspiirilevyn yhdyskaapelilla.
- Liitännän tai liitinkaapelin yhdyskaapelin leikkaaminen tai jatkaminen aiheuttaa kytkentäongelmia. Älä niputa yhdyskaapelia yhteen virtajohdon, sisä- tai ulkoyksikön kytkentäjohtimen ja/tai maadoitusjohtimen kanssa. Pidä ne mahdollisimman kaukana yhdyskaapelista.
- Yhdyskaapelin ohut osa on säilytettävä ja sijoitettava siten, että asiakkaat eivät voi koskea siihen.



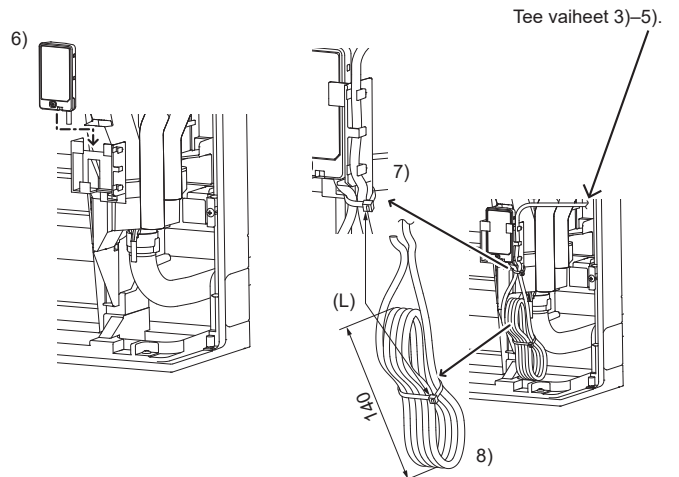
- 1) Irrota paneeli.
- 2) Avaa sisäyksikön ohjauspiirilevyn suojus.
- 3) Liitä yhdyskaapeli sisäyksikön ohjauspiirilevyssä olevaan CN105-liitimeen ja/tai CN104-liitimeen.
- 4) Johda yhdyskaapeli kuvaan merkittyjen kohtien läpi.
- 5) Kiinnitä liitännän tai liitinkaapelin mukana toimitettu kaapelipuristin yhdyskaapelin paksuun osaan 4 x 16-ruuvilla kuvan mukaisesti.
- 6) Sulje sisäyksikön ohjauspiirilevyn suojus. Varo, ettei yhdyskaapelin ohut osa tartu suojukseen. Asenna paneeli takaisin paikalleen.



Huomautus:

Kun Wi-Fi-liitäntä (lisävaruste) liitetään, asenna liitäntä telineeseen kuvan mukaisesti. Säädä kaapelin pituus ja niputa se kuvan mukaisesti.

- 1) Irrota paneeli.
- 2) Avaa sisäyksikön ohjauspiirilevyn suojus.
- 3) Liitä yhdyskaapeli sisäyksikön ohjauspiirilevyssä olevaan CN105-liitimeen.
- 4) Johda yhdyskaapeli kuvaan merkittyjen kohtien läpi.
- 5) Kiinnitä liitännän tai liitinkaapelin mukana toimitettu kaapelipuristin yhdyskaapelin paksuun osaan 4 x 16-ruuvilla kuvan mukaisesti.
- 6) Aseta Wi-Fi-liitäntä telineeseen.
- 7) Aseta yhdyskaapeli telineeseen ja kiinnitä se hihnalla (L).
- 8) Niputa ylimääräinen kaapeli hihnalla (L). Rullatun osan pitäisi olla noin 140 mm.
- 9) Sulje sisäyksikön ohjauspiirilevyn suojus. Varo, ettei yhdyskaapelin ohut osa tartu suojukseen. Asenna paneeli takaisin paikalleen.



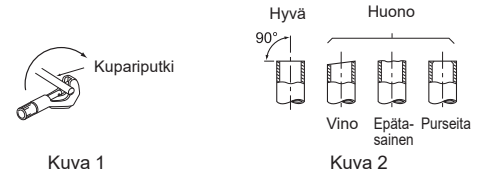
VAROITUS

Kiinnitä yhdyskaapeli **pitävästi** määrättyyn paikkaan. Virheellinen asennus saattaa aiheuttaa sähköiskun, tulipalon ja/tai toimintahäiriön.

3. AVARRUSLIITOS, PUTKILIITOS

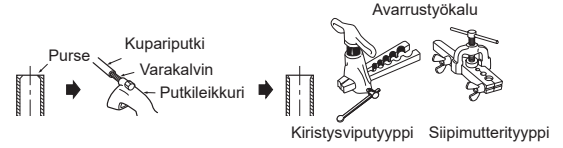
3-1. PUTKIEN AVARRUS

- 1) Leikkaa kupariputki asianmukaisesti putkileikkurilla. (Kuva 1 ja 2)
- 2) Poista kaikki purseet putken poikkileikkauseunasta. (Kuva 3)
 - Aseta kupariputken pää alaspäin purseen poiston ajaksi, jotta purseet eivät putoaisi putkeen.
- 3) Poista sisä- ja ulkoyksikköön kiinnitetyt kaulusmutterit ja aseta ne putkeen purseen poiston jälkeen. (Niitä ei voi asettaa putkeen avarruksen jälkeen.)
- 4) Avarrus (Kuva 4 ja 5). Käytä taulukossa ilmoitetun kokoista kupariputkea ja kiinnitä se lujasti. Valitse taulukosta A mm -arvo käytettävän työkalun mukaan.
- 5) Tarkistus
 - Vertaa avarrusta Kuva 6.
 - Jos avarrus on virheellinen, leikkaa avarrettu osa pois ja suorita avarrus uudelleen.



Kuva 1

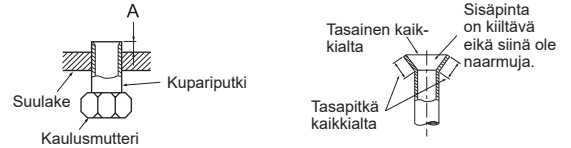
Kuva 2



Kuva 3

Kuva 4

Putken halkaisija (mm)	Mutteri (mm)	A (mm)			Kiristysmomentti	
		Kiristysviputyypinen työkalu, R32, R410A	Kiristysviputyypinen työkalu, R22	Siipimutterityypinen työkalu, R22	N•m	kgf•cm
ø 6,35 (1/4")	17	0-0,5	1,0-1,5	1,5-2,0	14-18	140-180
ø 9,52 (3/8")	22			2,0-2,5	34-42	340-420
ø 12,7 (1/2")	26			-	49-61	490-610
ø 15,88 (5/8")	29			-	68-82	680-820



Kuva 5

Kuva 6

3-2. PUTKILIITOKSET

- Kiristä kaulusmutteri momenttiavaimella taulukon ohjeiden mukaan.
- Jos mutteria kiristetään liikaa, se voi rikkoutua pitkässä käytössä ja aiheuttaa kylmäainevuodon.
- Kääri putken ympärille eristysmateriaalia. Paljaan putken koskettamisesta voi seurata palo- tai paleltumavammoja.

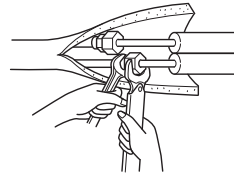
Sisäyksikön putkiliitokset

Liitä sisäyksikköön sekä neste- että kaasuputki.

- Älä levitä jäähdytysöljyä ruuvien kierteisiin. Liiallinen kiristus vahingoittaa ruuvia.
- Kohdista liittintä varten ensin keskikohta ja kiristä sitten kaulusmutteria käsin 3-4 kierrosta.
- Kiristä sisäyksikön liitoskohdat kiristysmomenttitaulukon arvojen mukaan kahden avaimen avulla. Avarruskohta vahingoittuu, jos sitä kiristetään liikaa.

VAROITUS

Uudelleen käytettävät mekaaniset liittimet ja kaulusliitokset ovat kiellettyjä sisätiloissa.
Kun kylmäaineputkisto liitetään kaulusliitosten sijaan juottamalla, tee kaikki juotokset valmiiksi ennen sisäyksikön liittämistä ulkoyksikköön.



VAROITUS

Kun laitetta asennetaan, kylmäaineputket on kytkettävä tukevasti ennen kompressorin käynnistystä.

FI

4. KOEKÄYTTÖ

4-1. KOEKÄYTTÖ

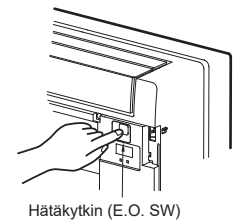
Varmista, että seuraavat toimenpiteet on tehty.

- Paneeli on asennettu oikein.
- Sisä- ja ulkoyksiköt on asennettu oikein, ja niihin on kytketty virta.

- 1) Paina E.O. SW-kytkintä kerran käyttääksesi COOL (Vileä) -tilaa ja kaksi kertaa käyttääksesi HEAT (Lämpö) -tilaa. Koekäyttö kestää 30 minuuttia. Jos vasemmanpuoleinen toimintamerkkivalo vilkkuu 0,5 sekunnin välein, tarkista, että sisä-/ulkoyksikön kytkentäjohto (A) on kytketty oikein. Koekäytön jälkeen käynnistyy hätätila (määritetty lämpötila 24°C).
- 2) Lopeta käyttö painamalla E.O. SW-kytkintä useita kertoja, kunnes kaikki merkkivalot sammuvat. Lisätietoja on käyttöohjeissa.

Kaukosäätimen (infrapuna) signaalin vastaanottotesti

- Paina kaukosäätimen (10) ON/OFF-painiketta ja tarkista, että sisäyksiköstä kuuluu elektroninen äänimerkki. Sammuta laite painamalla ON/OFF-painiketta uudelleen.
- Kun kompressori pysähtyy, uudelleenkäynnistytksen estävä laite estää kompressoria käynnistymästä uudelleen 3 minuuttiin ilmastointilaitteen suojaamiseksi.



Hätäkytkin (E.O. SW)

4-2. AUTOMAATTINEN UUELLEENKÄYNNISTYSTOIMINTO

Laitteessa on automaattinen uudelleenkäynnistystoiminto. Jos virransaanti keskeytyy käytön aikana esimerkiksi sähkökatkon vuoksi, toiminto käynnistää laitteen automaattisesti entisillä asetuksilla virransaannin palaututtua. (Lisätietoja on käyttöohjeissa.)

Varoitus:

- Kun koekäyttö tai kaukosäätimen signaalin vastaanottotesti on suoritettu, sammuta yksikkö E.O. SW-kytkimellä tai kaukosäätimellä ennen virran katkaisua. Muutoin laite saattaa käynnistyä, kun verkkovirransaanti jatkuu.

Käyttäjälle

- Varmista, että selität käyttäjälle automaattisen uudelleenkäynnistystoiminnon käytön laitteen asennuksen jälkeen.
- Jos automaattista uudelleenkäynnistystoimintoa ei tarvita, sen voi poistaa käytöstä. Pyydä huoltoedustajalta tietoja toiminnon poistamisesta käytöstä. Lisätietoja on myös huolto-oppaassa.

4-3. KÄYTTÄJÄLLE

- Selitä käyttäjälle KÄYTTÖOHJEIDEN avulla, miten ilmastointilaitetta käytetään (kaukosäätimen käyttö, ilmasuodattimien poisto, kaukosäätimen poisto telineestä ja asetus telineeseen, puhdistus, varoitukset jne.).
- Suosittele, että käyttäjä tutustuu KÄYTTÖOHJEISIIN huolellisesti.

5. PUMPPUTYHJENNYS

Katso ohjeet ulkoyksikön asennusoppaasta.

VAROITUS

Jos jäähdytyspiirissä on vuoto, älä tyhjennä pumpaamalla käyttämällä kompressoria. Kun kylmäainetta tyhjennetään pumpaamalla, kompressori on pysäytettävä ennen kylmäaineputkien irrottamista. Kompressori voi haljeta, jos siihen pääsee ilmaa tms.

Obsah

1. POSTUP PŘED INSTALACÍ.....	1
2. INSTALACE VNITŘNÍ JEDNOTKY.....	4
3. SPOJ ROZVÁLCOVÁNÍM, SPOJ TRUBKY.....	8
4. ZKUŠEBNÍ PROVOZ.....	8
5. VYPUŠTĚNÍ CHLADICÍHO MÉDIA.....	9

Názvy modelů jsou uvedeny v odstavci 1-3.

Tento instalační návod popisuje pouze montáž vnitřní jednotky. Pokyny k nainstalování venkovní jednotky naleznete v instalační příručce venkovní jednotky.

Nástroje potřebné k instalaci

Křížový šroubovák	Rozšiřovací nástroj pro médium R32, R410A
Vodováha	Vicemorový tlakoměr pro médium R32, R410A
Měřítka	Vakuové čerpadlo pro médium R32, R410A
Zalamovací nůž nebo nůžky	Plnicí hadice pro médium R32, R410A
Pilka pro vyřezávání otvorů	Trubkořez s výstružníkem
o průměru 75 mm	Vodní lahev
Momentový klíč	0,9 až 1,0 litru vody
Montážní klíč	

1. POSTUP PŘED INSTALACÍ

VÝZNAM SYMBOLŮ UVEDENÝCH NA VNITŘNÍ JEDNOTCE NEBO VENKOVNÍ JEDNOTCE

	VÝSTRAHA (Nebezpečí požáru)	Tato jednotka využívá hořlavé chladicí médium. V případě úniku chladicího média nebo kontaktu chladicího média s ohněm nebo topným tělesem dochází ke vzniku škodlivých plynů a hrozí nebezpečí požáru.
		Před uvedením do provozu si pečlivě přečtěte NÁVOD K OBSLUZE.
		Servisní pracovníci jsou povinni si před zahájením práce pečlivě přečíst NÁVOD K OBSLUZE i INSTALAČNÍ PŘÍRUKU.
		Další informace jsou k dispozici v NÁVODU K OBSLUZE, INSTALAČNÍ PŘÍRUKĚ apod.

1-1. NEZBYTNÁ BEZPEČNOSTNÍ OPATŘENÍ

- Před instalací klimatizační jednotky si přečtěte kapitolu „NEZBYTNÁ BEZPEČNOSTNÍ OPATŘENÍ“.
- Řiďte se upozorněními a výstrahami, které jsou v tomto návodu uvedeny, jelikož tyto obsahují důležité body související s bezpečností.
- Až si tuto příručku přečtete, uschovejte ji společně s NÁVODEM K OBSLUZE pro pozdější potřebu.

⚠ VÝSTRAHA (Může způsobit usmrcení, vážné zranění atd.)

- **Neprovádějte instalaci jednotky vlastními silami (platí pro uživatele).** Neúplná instalace by mohla způsobit požár, zasažení elektrickým proudem, zranění způsobené pádem jednotky nebo únik vody. Poradte se se svým prodejcem nebo s kvalifikovaným technikem.
- **Instalaci proveďte bezpečně podle pokynů uvedených v instalační příručce.** Neúplná instalace by mohla způsobit požár, zasažení elektrickým proudem, zranění způsobené pádem jednotky nebo únik vody.
- **Při instalaci jednotky používejte vhodné ochranné prostředky a nástroje k zajištění bezpečnosti.** Nedodržení tohoto pokynu by mohlo mít za následek zranění.
- **Jednotku bezpečně nainstalujte v místě, které má dostatečnou nosnost odpovídající hmotnosti jednotky.** Pokud by místo instalace nebylo schopno unést hmotnost jednotky, mohlo by dojít k pádu jednotky a následnému zranění.
- **Práce na elektrických zařízeních musí provádět kvalifikovaný, zkušený elektrikář v souladu s pokyny uvedenými v instalační příručce. Je nutné použít vyhrazený obvod. K tomuto obvodu již nepřipojujte další elektrické spotřebiče.** V případě nedostatečnosti elektrického obvodu nebo nekompletního elektrického vedení může dojít k požáru nebo poranění elektrickým proudem.
- **Zajistěte správné uzemnění jednotky.** Uzemnění jednotky nepřipojujte k plynovému potrubí, vodnímu potrubí, bleskosvodu ani k telefonnímu uzemňovacímu drátu. Vadné uzemnění může být příčinou zasažení elektrickým proudem.
- **Chraňte vodiče před poškozením, které by mohlo být způsobeno účinkem nadměrného tlaku jiných dílů nebo šroubů.** Poškození vodičů by mohlo způsobit požár nebo zasažení elektrickým proudem.
- **V případě nastavování vnitřní desky s tištěnými spoji nebo připojování vodičů se vždy ujistěte, že je odpojeno napájení z elektrické sítě.** Nedodržení tohoto pokynu by mohlo mít za následek úraz elektrickým proudem.
- **K bezpečnému připojení vnitřní a venkovní jednotky použijte k tomu určené vodiče a tyto pevně připojte ke spojovacím úsekům svorkovnice tak, aby na ně nepůsobilo namáhání pocházející od vodičů. Vodiče neprodlužujte ani nepoužívejte vložené propojovací vodiče.** Nedokonalé připojení a upevnění by mohlo způsobit požár.
- **Jednotku neinstalujte v místě, kde může docházet k únikům hořlavého plynu.** Nahromadění unikajícího plynu v okolí jednotky by mohlo způsobit výbuch.
- **Nepoužívejte vložené propojovací vodiče pro síťový a prodlužovací kabel a nepřipojujte k jedné zásuvce střídavého proudu více spotřebičů.** Mohlo by dojít k požáru nebo zásahu elektrickým proudem způsobenému vadným kontaktem, vadnou izolací, překročením přípustného proudu atd.
- **Při montáži používejte dodané nebo uvedené součásti.** Používání vadných součástí může způsobit poranění nebo únik vody způsobený požárem, elektrickým šokem, pádem jednotky atd.
- **Při připojování zástrčky napájecího kabelu k elektrické síťové zásuvce se ujistěte, že zásuvka ani zástrčka nejsou zaneseny prachem nebo nečistotami a nemají uvolněné součásti. Zajistěte, aby zástrčka napájecího kabelu byla zcela zasunuta do zásuvky.** Zanesení zástrčky napájecího kabelu nebo zásuvky prachem nebo nečistotami, případně uvolnění jejich součástí, by mohlo mít za následek zasažení elektrickým proudem nebo požár. Zjistíte-li, že jsou jakékoli součásti zástrčky napájecího kabelu uvolněné, tuto zástrčku vyměňte.
- **K vnitřní jednotce bezpečně připevněte kryt elektrických součástí a na venkovní jednotku nasaďte servisní panel.** Není-li kryt elektrických součástí na vnitřní jednotce a/nebo servisní panel na venkovní jednotce nasazen pevně, může dojít k požáru nebo úrazu elektrickým proudem způsobenému prachem, vodou atd.
- **Při instalaci, přemísťování nebo údržbě jednotky se ujistěte, že do chladicího okruhu nejsou přiváděny žádné jiné látky než uvedené chladicí médium (R32/R410A).** Jakákoli přítomnost cizí látky, např. vzduchu, může způsobit nadměrné zvýšení tlaku a mít za následek výbuch nebo zranění. Použití jiného než uvedeného chladicího média může způsobit mechanické vady, nesprávnou funkci systému či poruchu jednotky. V nehorším případě může dojít k vážnému selhání zajištění bezpečnosti produktu.
- **Na jednotce neprovádějte žádné úpravy.** Může to způsobit požár, zásah elektrickým proudem, zranění nebo únik vody.
- **Chladicí médium nevypouštějte do ovzduší. Dojde-li během instalace k úniku chladicího média, zajistěte vyvětrání místnosti. Po dokončení instalace zkontrolujte, zda chladicí médium neuniká.** V případě úniku chladicího média a jeho kontaktu s ohněm nebo topným tělesem, např. ohřívacem, přímotopem nebo plotnou na vaření, dochází ke vzniku škodlivých plynů. Zajistěte větrání v souladu s normou EN378-1.
- **Při instalaci používejte vhodné nástroje a instalační materiály.** Tlak chladicího média R32/R410A je 1,6krát vyšší než tlak média R22. Použití nevhodných nástrojů nebo materiálů a neúplné provedení instalace by mohly způsobit prasknutí trubek a případné zranění.
- **Jestliže dochází k úniku na chladicím okruhu, neprovádějte odčerpání pomocí kompresoru. Při vyčerpávání chladicího média vypněte kompresor ještě před odpojením potrubí chladicího média.** Pokud by potrubí chladicího média bylo odpojeno v době, kdy je kompresor v chodu a kdy je otevřen uzavírací ventil, mohl by být nasát vzduch a tlak v okruhu chladicího média by se mohl nadměrně zvýšit. To by mohlo způsobit prasknutí potrubí nebo zranění.
- **V závislosti na místě montáže nainstalujte jistič pro ochranu před svodovými proudy.** Není-li jistič pro ochranu před svodovými proudy nainstalován, může dojít k zasažení elektrickým proudem.
- **Při montáži jednotky řádně připojte potrubí chladicího média ještě před spuštěním kompresoru.** Pokud by byl kompresor spuštěn a uzavírací ventil otevřen ještě před připojením potrubí chladicího média, mohl by nasát vzduch a tlak v okruhu chladicího média by se mohl nadměrně zvýšit. To by mohlo způsobit prasknutí potrubí nebo zranění.
- **Pomocí momentového klíče utáhněte převlečnou matici podle pokynů uvedených v tomto návodu.** Je-li převlečná matice nadměrně utažena, může po určité době prasknout a způsobit únik chladicího média.
- **Jednotku je nutno nainstalovat v souladu s místními předpisy pro elektroinstalaci.**
- **Při použití plynového hořáku nebo jiného zařízení vytvářejícího plamen je nutno zcela odstranit veškeré chladicí médium z klimatizačního zařízení a zajistit, aby oblast byla dostatečně větrána.** V případě úniku chladicího média nebo kontaktu chladicího média s ohněm nebo topným tělesem dochází ke vzniku škodlivých plynů a hrozí nebezpečí požáru.
- **K urychlení odmrazování nebo k čištění zařízení používejte pouze prostředky, které jsou doporučeny výrobcem.**
- **Zařízení musí být uskladněno v místnosti bez nepřetržitě činného zdroje zapálení (např. otevřeného ohně, plynového spotřebiče nebo elektrického ohříváče).**
- **Zařízení neprohřívajte ani nespálujte.**
- **Mějte na paměti, že chladicí média nesmějí zapáchat.**
- **Je nutno zajistit ochranu potrubí před fyzickým poškozením.**
- **Je nutno zajistit, aby instalace potrubí měla minimální rozsah.**
- **Je nutno zajistit dodržení místních předpisů platných pro zacházení s plyny.**
- **Veškeré potřebné větrací otvory musí být trvale udržovány v přístupném a průchodném stavu.**
- **Udržujte zařízení spalující plyn, elektrické přímotopy a jiné zdroje ohně (či zdroje vzniku plamene) v dostatečné vzdálenosti od místa, kde bude prováděna montáž, oprava nebo jiné práce na klimatizační jednotce.**
- **Zařízení musí být uloženo v dobře ventilované oblasti, kde velikost místnosti odpovídá ploše místnosti specifikované k provozu.**
- **Nevypínejte jistič, s výjimkou případů, kdy je cítit zápach spáleniny nebo při údržbě či kontrole.** K čidlu chladiwa namontovanému ve vnitřní jednotce nelze vést napájení a čidlo nedetekuje únik chladiwa. Může to způsobit požár.
- **Bezpečně upevněte připojovací kabel v předepsané poloze.** Nesprávná instalace může způsobit úraz elektrickým proudem, požár a/nebo poruchu.

- **Instalaci odtoků a potrubí proveďte bezpečně podle instalační příručky.**
V případě výskytu vady v oblasti výpusti/potrubí by z jednotky mohla odkapávat voda, která by se mohla vsakovat do vybavení domácnosti a tím způsobit jeho poškození.
- **Nedotýkejte se vstupu vzduchu ani hliníkových lamel venkovní jednotky.**
Hrozí zde nebezpečí poranění.
- **Pokud se dotýkáte základny venkovní jednotky, použijte ochranné pomůcky.**
Pokud nebudete nosit ochranné pomůcky, může dojít ke zranění.
- **Venkovní jednotku neinstalujte v místech, kde se mohou vyskytovat drobní živočichové.**
Pokud by dovnitř jednotky vnikli drobní živočichové, kteří by se zde dotýkali elektrických součástí, mohlo by to způsobit chybnou funkci, vznik kouře nebo požár. Uživatelé je třeba doporučit, aby udržoval oblast v okolí jednotky v čistém stavu.
- **Nepoužívejte klimatizaci během stavebních či dokončovací prací v místnosti nebo při voskování podlahy.**
Před použitím klimatizace po těchto činnostech místnost důkladně vyvětrejte. V opačném případě může dojít k zachycení těkavých prvků uvnitř klimatizační jednotky, což může vést k úniku vody nebo rozptýlu rosy.
- **Jednotku neinstalujte v místě, kde může docházet k výskytu kouře, plynu nebo léčiv.**
Čidlo chladiva namontované ve vnitřní jednotce na ně může reagovat a může zobrazit chybu úniku chladiva.
- **Když je jistič zapnutý, dávejte pozor na otáčení ventilátoru.**
Když čidlo chladiva detekuje únik chladiva, ventilátor se automaticky začne otáčet. Hrozí nebezpečí poranění.
- **Když používáte aerosolové spreje pro rekonstrukci interiéru, dokončovací práce nebo utěsnění otvoru ve zdi, vypněte jistič a důkladně provětrejte místnost. Čidlo chladiva může reagovat na plyn ze sprejů a může tak dojít k nesprávné detekci.**

1-2. VÝBĚR MÍSTA INSTALACE

Tento návod popisuje pouze instalaci vnitřní jednotky.

Při instalaci venkovní jednotky postupujte podle instalačního návodu pro venkovní jednotky.

VNITŘNÍ JEDNOTKA

VÝSTRAHA

Jednotka by měla být instalována pouze v místnostech, které mají větší podlahovou plochu, než jaká je uvedena v instalační příručce venkovní jednotky.

- Viz instalační příručka venkovní jednotky.

Při instalaci vnitřních jednotek by měly být splněny následující podmínky:

- V místě, kde není blokováno proudění vzduchu.
- V místě, které umožňuje, aby se chladný (nebo teplý) vzduch šířil po celé místnosti.
- Za použití tuhé stěny zabraňující šíření vibrací.
- V místě, které není vystaveno přímému slunečnímu světlu. Zařízení nevystavujte přímému slunečnímu světlu také během doby mezi vybalením a uvedením do provozu.
- V místě, které umožňuje snadné vypouštění.
- Ve vzdálenosti 1 m nebo více od televizních a rozhlasových přijímačů. Provoz klimatizace může rušit příjem rozhlasového či televizního signálu. Pro dotčené zařízení může být nutné použít zesilovač.
- V místě, které je co nejvíce vzdáleno od zářivek a žárovek. Toto je nezbytné pro zajištění normální funkce infračerveného dálkového ovládní, jímž je klimatizační zařízení vybaveno. Teplu generované těmito světelnými zdroji může způsobit deformaci součástí zařízení a ultrafialové světlo může mít nepříznivý účinek na stav materiálů.
- V místě, které umožňuje snadné vyjímání a výměnu vzduchového filtru.
- V místě, které je dostatečně vzdáleno od jiných zdrojů tepla nebo páry.
- Neinstalujte jednotku do prostředí, ve kterém se používají jakákoliv plynová zařízení pro propan, butan nebo metan, spreje, např. na hubení hmyzu, zařízení, které generuje kouř, nátěrový materiál a léky, nebo na místě, kde se vytváří plyn na bázi síry.
- Čidlo chladiva namontované ve vnitřní jednotce na ně může reagovat a může zobrazit chybu úniku chladiva. Může to způsobit, že jednotka nebude fungovat.

DÁLKOVÝ OVLADAČ

Pro skladování dálkového ovladače jsou vhodné následující podmínky:

- V místě, které je snadno viditelné a poskytuje snadný přístup pro účely obsluhy.
- V místě, kde se zařízení nebudou moci dotýkat děti.
- Vyberte polohu v úrovni asi 1,2 m nad podlahou a zkontrolujte, zda jsou signály dálkového ovladače při použití této polohy vnitřní jednotkou spolehlivě přijímány (podle zvukové signalizace příjmu v podobě jednoho nebo dvojího pípnutí).

Poznámka:

V místnostech, kde se používají zářivky vybavené střídačem, nemusí být zajištěn spolehlivý příjem signálu bezdrátového dálkového ovladače.

Poznámka:

Při instalaci klimatizačního zařízení se vyhněte následujícím místům, kde hrozí potíže.

- V místech, kde by mohl unikat hořlavý plyn.
- V místech s nadměrným obsahem strojního oleje.
- V místech rozstříkávání oleje nebo výskytu olejového kouře (např. v kuchyních či továrnách; hrozí změna vlastností či poškození plastových součástí).
- V místech s vysokou slaností, např. u moře.
- V místech vzniku sirných plynů, např. z horkých pramenů, kanalizace, odpadních vod.
- V místech použití vysokofrekvenčních nebo bezdrátových zařízení.
- V místech, kde se vyskytují vysoké úrovně emisí těkavých organických látek, včetně směsí ftalátů, formaldehydu atd., které mohou způsobovat chemické štěpení.
- Zařízení je nutno uskladnit tak, aby bylo zabráněno možnosti jeho mechanického poškození.

Jestliže se provádí připojení k venkovní jednotce, která používá chladivo R32, proveďte instalaci vnitřní jednotky v místnosti s povrchem podlahy s hodnotou Amin nebo větší, v závislosti na množství chladivého média M (chladivý médium z továrny + chladivý médium přidané na místě). Informace o množství chladiva a přídavného chladiva najdete v dokumentaci venkovní jednotky.

M [kg]	Amin [m²]
1,00	
1,10	
1,20	
1,30	
1,40	
1,50	
1,60	
1,70	
1,80	
1,84	3,63
1,90	3,75
2,00	3,95
2,10	4,15
2,20	4,34
2,30	4,54
2,40	4,74

Pro plnění chladiva viz návod k instalaci venkovní jednotky.

1-3. TECHNICKÉ ÚDAJE

Model	Napájení *1		Specifikace vodičů *2	Velikost potrubí (tloušťka *3, *4, *5, *6)		Tloušťka izolace *7, *8
	Jmenovité napětí	Frekvence	Propojovací kabel vnitřní/ venkovní jednotky	Plyn	Kapalina	
MFZ-KT25VG	230 V	50 Hz	4žilový kabel 2,0 mm ²	ø9,52 mm (0,8 mm)	ø6,35 mm (0,8 mm)	14 mm
MFZ-KT35VG				ø12,7 mm (0,8 mm)		
MFZ-KT50VG				ø15,88 mm (0,8 mm)		
MFZ-KT60VG						

*1 Připojte elektrický spínač, který má mezeru o velikosti alespoň 3 mm, je-li rozpojen za účelem přerušení přívodu elektrických proudových fází ze zdroje napájení. (Je-li elektrický spínač vypnutý, musí přerušovat všechny fáze.)

*2 Použijte vodiče, které jsou ve shodě s konstrukčními zásadami uvedenými v normě 60245 IEC 57.

*3 Nikdy nepoužívejte potrubí s menší než specifikovanou tloušťkou. Jinak nebude dosaženo dostatečného tlakového odporu.

*4 Použijte bezešvou trubku z mědi nebo měděné slitiny.

*5 Při ohýbání potrubí postupujte opatrně, abyste nezpůsobili jeho rozdrčení nebo zlomení.

*6 Poloměr ohybu potrubí chladicího média musí činit 100 mm nebo více.

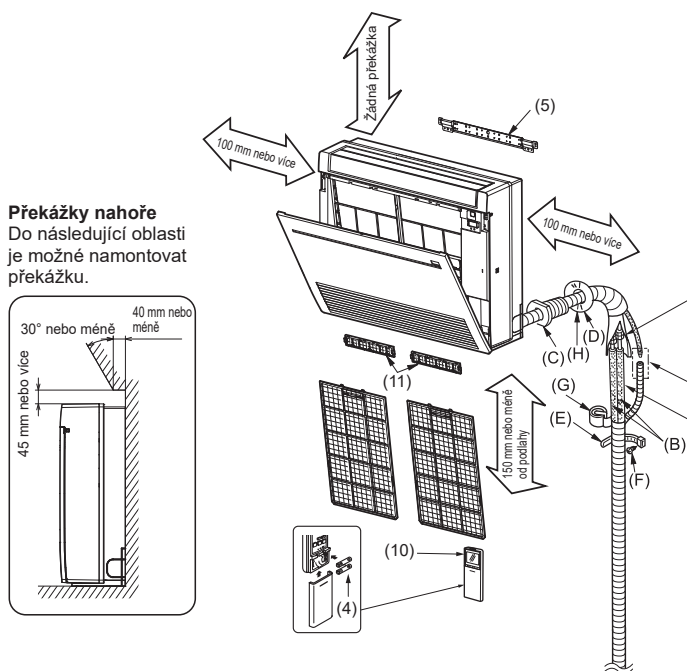
*7 Izolační materiál: Termoizolační pěnový polyetylen, měrná hmotnost 0,045

*8 Ujistěte se, že je použita izolace s uvedenou tloušťkou. Nadměrná tloušťka může způsobit nesprávnou instalaci vnitřní jednotky, zatímco nedostatečná tloušťka může způsobit rosení a odkapávání zkondenzované vody.

1-4. INSTALAČNÍ SCHÉMA

Při instalaci venkovních jednotek postupujte podle instalační příručky venkovní jednotky.

Tabulka specifikací pro potrubí neuvádí minimální stanovenou délku. Nicméně vnitřní jednotky s připojeným potrubím o délce menší než 3 metry mohou během normálního provozu ve velmi tichém prostředí vydávat přerušované zvuky. Tuto informaci je třeba brát na vědomí, když instalujete vnitřní jednotku do klimatizovaného prostoru.



Jednotky by měl montovat licencovaný dodavatel v souladu s požadavky místních zákonů.

PŘÍSLUŠENSTVÍ

Před montáží zkontrolujte následující součásti.

(1) Vypouštěcí hadice*	1
(2) Kryt potrubí	1
(3) Objímka	2
(4) Baterie (AAA) pro (10)	2
(5) Montážní konzola vnitřní jednotky	1
(6) Upevňovací šroub pro (5) 4 × 25 mm	5
(7) Vrut pro fixaci vnitřní jednotky	4
(8) Podložka pro (7)	4
(9) Píštěná páska (pro levé nebo levé zadní potrubí)	1
(10) Bezdrátový dálkový ovladač	1
(11) Čistící vzduchový filtr	2
(12) Spojovací trubka (pouze KT60)	1
(13) Kryt potrubí pro spojovací trubku (pouze KT60)	1
(14) Štítek jističe	1
(15) Poznámka jističe	1

* Poznámka:

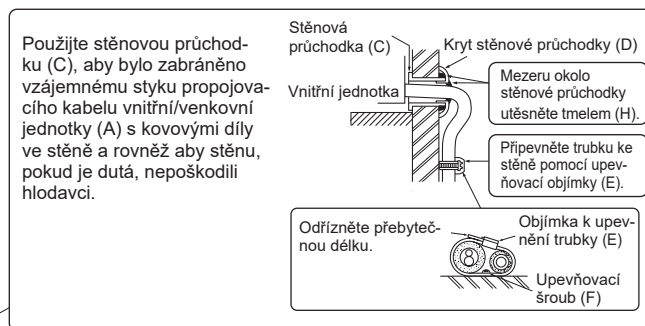
Vypouštěcí hadice je připojena k jednotce.

DÍLY, KTERÉ MAJÍ BÝT PŘIPRAVENY ZÁKAZNÍKEM V MÍSTĚ INSTALACE

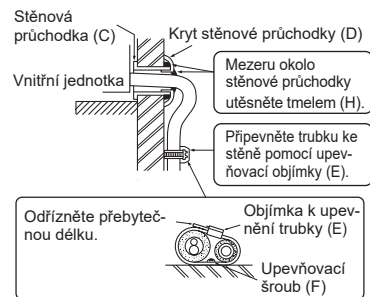
(A) Propojovací kabel vnitřní/venkovní jednotky*	1
(B) Prodlužovací trubka	1
(C) Sténová průchodka	1
(D) Kryt sténové průchodky	1
(E) Páska k upevnění trubky	2 až 5
(F) Upevňovací šroub pro (E) 4 × 20 mm	2 až 5
(G) Páska k ověření potrubí	1
(H) Tmel	1
(J) Vypouštěcí hadice (případně hadice z měkkého PVC o vnitřním průměru 15 mm nebo trubka VP16 z tvrdého PVC)	1 nebo 2
(K) Síťový napájecí kabel*	1
(L) Pásma (pouze připojení k rozhraní Wi-Fi)	2

* Poznámka:

Propojovací kabel (A) vnitřní/venkovní jednotky a síťový napájecí kabel (K) umístěte ve vzdálenosti nejméně 1 m od kabelu televizní antény.



Použijte sténovou průchodku (C), aby bylo zabráněno vzájemnému styku propojovacího kabelu vnitřní/venkovní jednotky (A) s kovovými díly ve stěně a rovněž aby stěna, pokud je dutá, nepoškodili hlodavci.



Po provedení zkoušky těsnosti umístěte izolační materiál tak, aby jím byla utěsněna jakákoliv případná mezera.

Spojovací část zakryjte páskou, abyste zabránili úniku vody.

Chcete-li potrubí umístit na stěnu, na které se nachází kovy (pocínování) nebo která je pokrytá kovovým pleťvem, vložte mezi potrubí a stěnu chemicky ošetřenou dřevěnou desku o tloušťce 20 mm nebo silnější nebo potrubí omotejte vrstvami izolační vinylové pásky. Chcete-li použít stávající potrubí, nechte po dobu 30 minut probíhat postup CHLAZENÍ a poté proveďte vyčerpání chladicího média před demontáží starého klimatizačního zařízení. Upravte rozšířený úsek potrubí podle rozměrů potřebných pro nové chladicí médium.

⚠️ VÝSTRAHA

Abyste předešli nebezpečí vzniku požáru, umístěte potrubí chladicího média v zapuštěné nebo chráněné poloze.

Vnější poškození potrubí pro chladicí médium může být příčinou požáru.

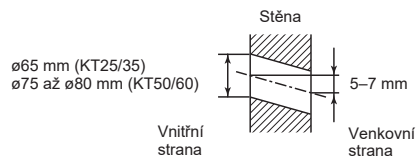
2. INSTALACE VNITŘNÍ JEDNOTKY

2-1. UPEVNĚNÍ MONTÁŽNÍ KONZOLY VNITŘNÍ JEDNOTKY

- Neinstalujte vnitřní jednotku na místo umístěné výše než 150 mm.
- Vyhledejte ve stěně konstrukční materiál (například sloupek hrázděné konstrukce) a připevněte konzolu (5) ve vodorovné poloze utažením upevňovacích šroubů (6).
- Aby bylo zabráněno vibrování konzoly (5), musí být upevňovací šrouby při instalaci umístěny v otvorech, které jsou vyznačeny na ilustraci. Abyste dosáhli většího upevnění, mohou být upevňovací šrouby umístěny také v dalších otvorech.

2-2. VRTÁNÍ OTVORU

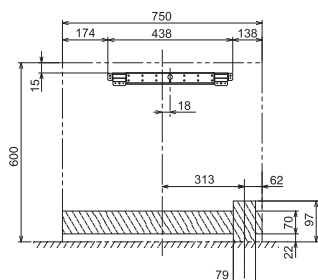
- 1) Určete polohu otvoru ve stěně.
- 2) Vyvrtejte otvor s průměrem 65 mm (průměr 75 až 80 mm pro KT50/60).
Venkovní strana by měla být o 5 až 7 mm níže než vnitřní strana.
- 3) Do otvoru zasuňte stěnovou průchodku (C).



POLOHY OTVORŮ

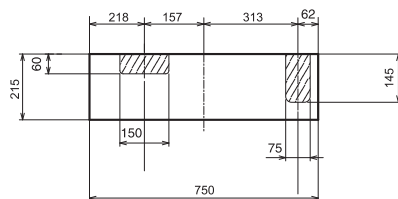
PRO ZADNÍ NEBO LEVÉ ZADNÍ POTRUBÍ

(Následující obrázek představuje čelní pohled na umístění instalace vnitřní jednotky.)

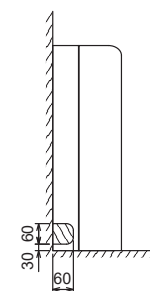


PRO PRAVÉ DOLNÍ NEBO LEVÉ DOLNÍ POTRUBÍ

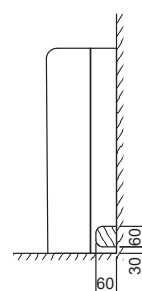
(Následující obrázek představuje horní pohled na spodní část vnitřní jednotky.)



PRO LEVÉ POTRUBÍ



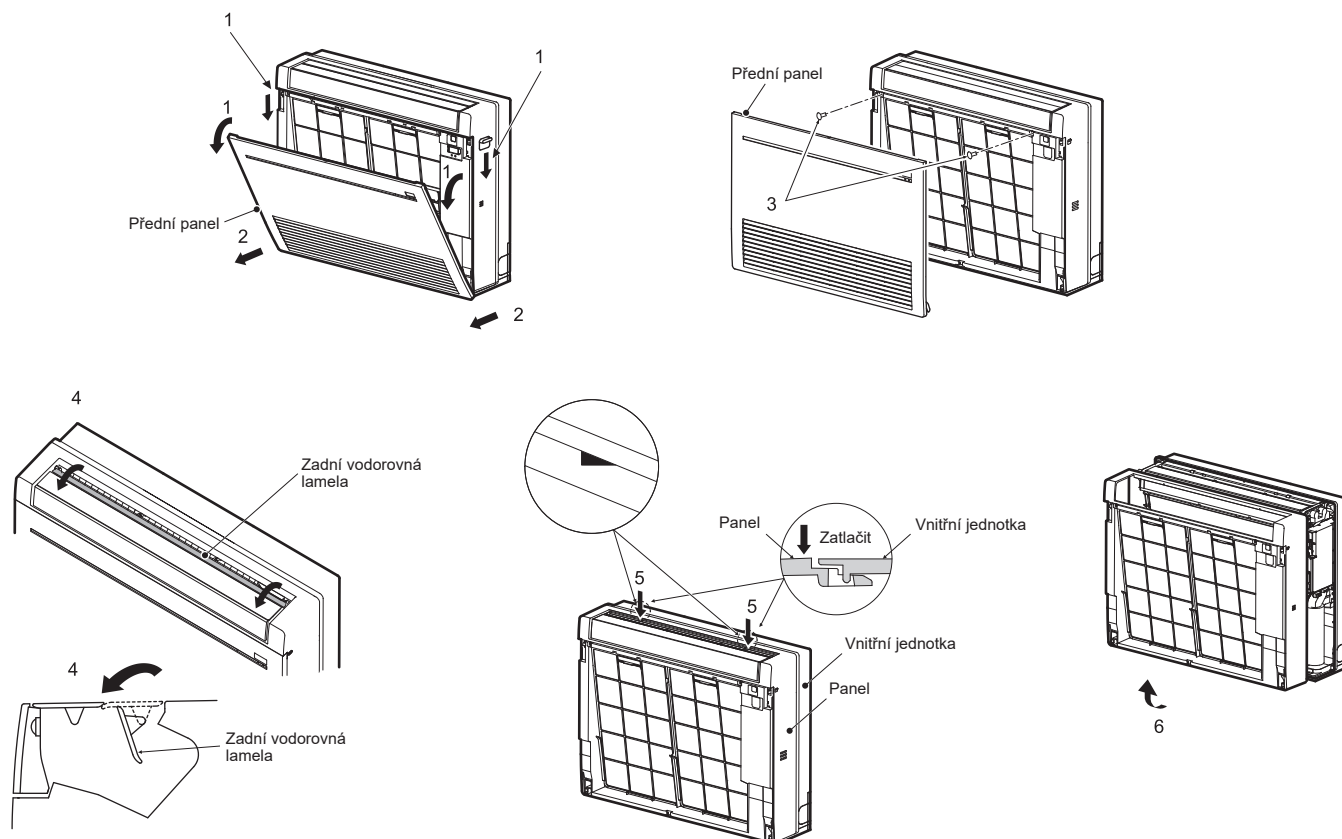
PRO PRAVÉ POTRUBÍ



2-3. PŘÍPRAVA VNITŘNÍ JEDNOTKY

Demontujte přední panel vnitřní jednotky.

- 1) Zatláčte západku na obou stranách jednotky a otevřete přední panel.
- 2) Vyjměte přední panel směrem k sobě.
- 3) Odstraňte 2 šrouby.
- 4) Otevřete zadní vodorovnou lamelu.
- 5) Zatláčte 2 místa na horní části panelu a poté vytáhněte horní část panelu směrem k sobě.
- 6) Lehce panel zvedněte a poté vytáhněte.



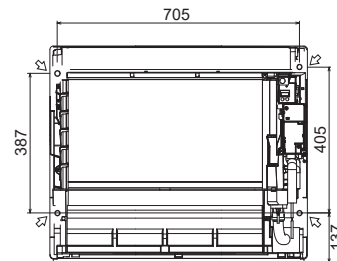
2-4. INSTALACE VNITŘNÍ JEDNOTKY

2-4-1. INSTALACE VNITŘNÍ JEDNOTKY NA PODLAHU

- 1) Umístěte vnitřní jednotku na rovnou podlahu.
- 2) Pomocí dodaných vrtů (7) a podložek (8) upevněte vnitřní jednotku ve 4 bodech. Pevně dotáhněte šrouby.

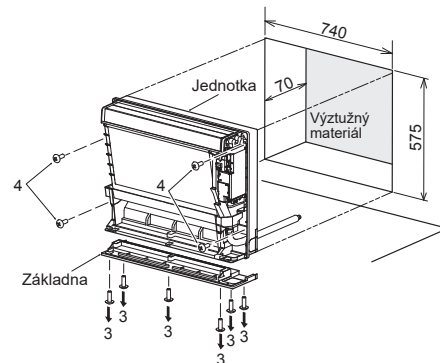
2-4-2. INSTALACE VNITŘNÍ JEDNOTKY NA STĚNU

- 1) Zahákněte horní část vnitřní jednotky na montážní konzolu vnitřní jednotky (5).
- 2) Pomocí dodaných vrtů (7) a podložek (8) upevněte vnitřní jednotku ve 4 bodech. Pevně dotáhněte šrouby.



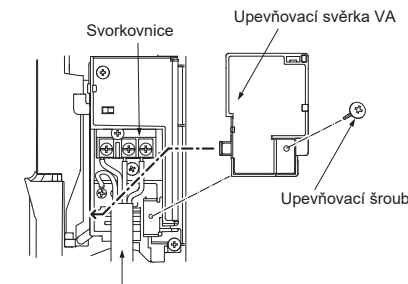
2-4-3. INSTALACE VNITŘNÍ JEDNOTKY DO STĚNY

- 1) Vytvořte ve stěně otvor.
- 2) Pomocí výztužného materiálu upravte hloubku.
- 3) Odstraňte 6 šroubů, které připevňují základnu k jednotce. Demontujte základnu z jednotky.
- 4) Pomocí dodaných vrtů (7) a podložek (8) upevněte vnitřní jednotku ve 4 bodech. Pevně dotáhněte šrouby.

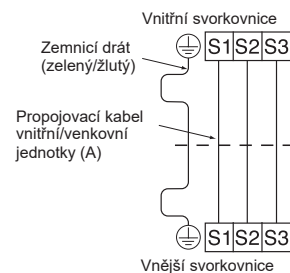
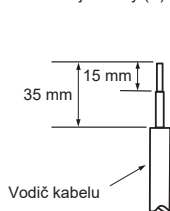


2-5. PŘIPOJENÍ VODIČŮ K VNITŘNÍ JEDNOTCE

- 1) Odstraňte upevňovací svěrku VA.
- 2) Vedte propojovací kabel (A) vnitřní/venkovní jednotky směrem od zadní strany vnitřní jednotky a připravte konce jeho vodičů k připojení.
- 3) Povolte šrouby svorek a připojte ke svorkovnici nejprve uzemňovací vodič a poté propojovací kabel (A) vnitřní/venkovní jednotky. Postupujte opatrně, abyste zabránili chybnému zapojení. Drát připevněte ke svorkovnici bezpečným způsobem, tedy tak, aby nebyla odkryta žádná část jeho žíly a aby na spojovací úsek svorkovnice nebyla přenášena žádná vnější síla.
- 4) Dotáhněte šrouby svorek, aby nedošlo k jejich povolení. Po utažení zkontrolujte upevnění drátů mírným zatažením.
- 5) Zajistěte propojovací kabel (A) vnitřní/venkovní jednotky a uzemňovací vodič pomocí upevňovací svěrky VA. Nechte levý úchyt upevňovací svěrky VA zapadnout. Upevňovací svěrku VA bezpečně připevněte.



Propojovací kabel vnitřní/venkovní jednotky (A)



- Uzemňovací drát upravte tak, aby byl trochu delší než ostatní dráty. (Více než 45 mm)
- Zajistěte, aby byly propojovací dráty dostatečně dlouhé pro případ dalších servisních zásahů.
- Přebytečný drát nepřehýbejte ani jej nevmačkávejte do malého prostoru. Postupujte opatrně, aby se vodiče nepoškodily.
- Při připevňování kabelu nebo drátů ke svorkovnici zkontrolujte, jestli jsou všechny šrouby nasazeny na odpovídající svorky.

⚠ VÝSTRAHA

Při montáži jednotky řádně připojte potrubí chladicího média před spuštěním kompresoru.

2-6. VYTVAROVÁNÍ A INSTALACE POTRUBÍ

Poznámka: Viz bod 3. SPOJ ROZVÁLCOVÁNÍM, SPOJ TRUBKY.

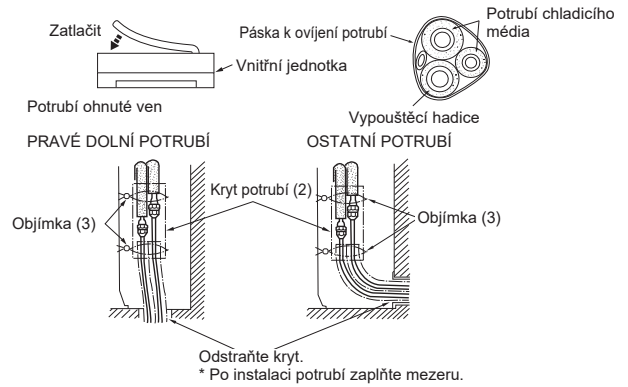
Vytvarování trubek

- Vypouštěcí hadici vedte diagonálně pod spojovací potrubím.
- Ujistěte se, že vypouštěcí hadice není vedena směrem vzhůru a že na hadici nejsou vlny.
- Při ovíjení páskou za hadici netahejte.
- Vedte potrubí tak, aby nepřesahovalo za zadní část vnitřní jednotky. (Viz obrázek vpravo.)

Montáž spojovacího potrubí

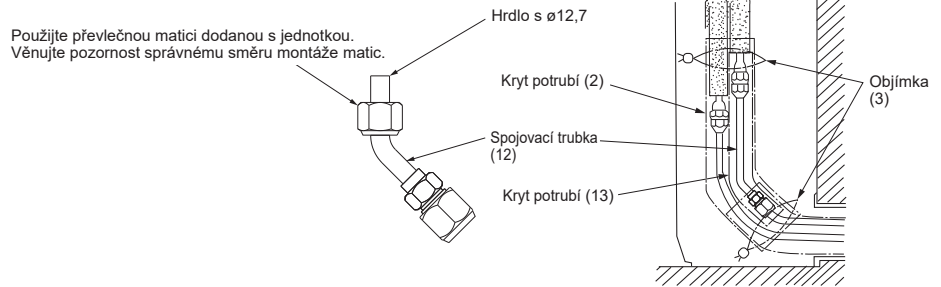
- Namontujte spojovací trubky tak, aby se potrubí mohlo lehce pohybovat dopředu, dozadu, vlevo a vpravo.
- Po odstranění krytu zajistěte zakrytí potrubí tak, aby po instalaci nebylo potrubí odhalené.
- Po instalaci potrubí zaplňte mezeru.

- Spojovací potrubí zaizolujte tak, aby se nedotýkalo panelu.
- Při ohýbání dbejte na to, aby nedošlo k rozdrčení spojovacích trubek.



Pro MFZ-KT60

- Nezapomeňte použít spojovací trubku (12), jinak nebude možné upevnit prodlužovací trubku $\varnothing 15,88$.
- Upravte hrdlo spojovací trubky (12) na $\varnothing 12,7$ a připojte kryt potrubí (13).



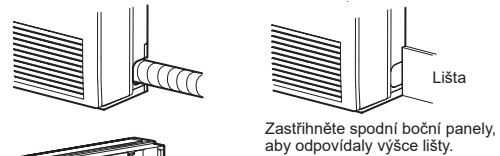
PRO LEVÉ NEBO LEVÉ ZADNÍ POTRUBÍ

Spojte spojovací trubky a vypouštěcí hadici do svazku a poté je zabalte do plstěné pásky (9).

Vystřihněte a použijte spodní boční panely na levé a pravé straně vnitřní jednotky, jak je znázorněno níže.

Rezané hrany bočních panelů vyhladte tak, aby nedošlo k poškození izolace.

- Pro levé nebo pravé potrubí
- Montáž na zed s lištou

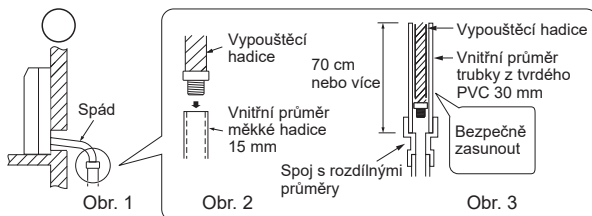


Plstěnou pásku (9) utáhněte těsně kolem trubek a hadice, počínaje od místa, kde jsou potrubí a hadice vyvedeny z vnitřní jednotky. (Šířka překrytí plstěné pásky (9) by neměla být větší než 1/2 šířky pásky.)

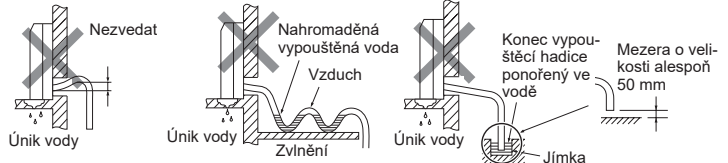


2-7. VYPOUŠTĚCÍ POTRUBÍ

- Jestliže prodlužovací vypouštěcí hadice musí vést místností, omotejte ji izolačním materiálem dostupným v obchodní síti.
- Vypouštěcí hadice by měla směřovat dolů, aby bylo usnadněno odtékání vypouštěné vody. (Obr. 1)
- Je-li vypouštěcí hadice, která byla dodána s vnitřní jednotkou, příliš krátká, spojte ji s vypouštěcí hadicí (J), která by měla být v místě instalace předem připravena. (Obr. 2)
- K utěsnění spojení mezi vypouštěcí hadicí produktu a prodloužením vypouštěcí hadice (vnitřní průměr 16 mm) (J) použijte lepicí pásku nebo jiný materiál.
- Při připojování vypouštěcí hadice k trubce z tvrdého PVC je nutno zajistit, aby hadice byla do této trubky pevně zasunuta. (Obr. 3)

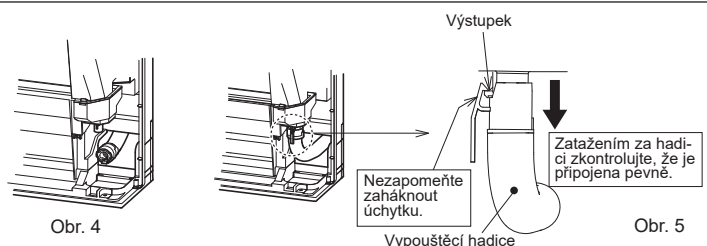


Vypouštěcí potrubí neumísťujte níže znázorněným způsobem.



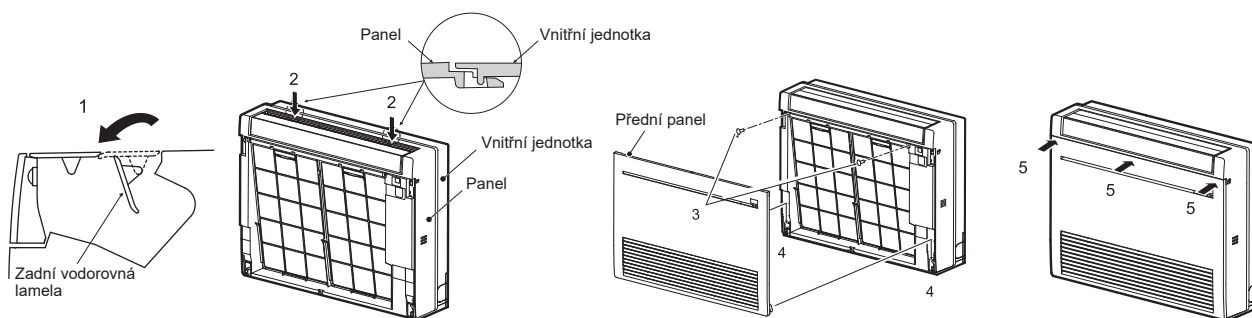
Vypouštěcí hadice je při instalaci odstraněna.

- Při vedení vypouštěcího potrubí se ujistěte, že je vypouštěcí hadice (1) vedena podle obrázku. (Obr. 4)
 - Zasuňte vypouštěcí hadici až k základně odtokové nádoby (koncové připojení). (Obr. 5)
- Ujistěte se, že úchytka vypouštěcí hadice je bezpečně zaháknuta na výstupek na hadicové armatuře vypouštěcí nádoby.
- Po připojení vypouštěcí hadice se zatažením za ni ujistěte, že je bezpečně připojena.



2-8. INSTALACE PŘEDNÍHO PANELU

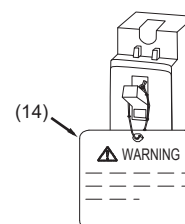
- 1) Otevřete zadní vodorovnou lamelu.
- 2) Připojte panel. Ujistěte se, že jsou úchytky zaháknuté.
- 3) Upevněte panel šrouby.
- 4) Vložte spodní část předního panelu.
- 5) Zavřete přední panel zatlačením na 3 místa v jeho horní části.



2-9. JAK PŘIPOJIT ŠTÍTEK A POZNÁMKU

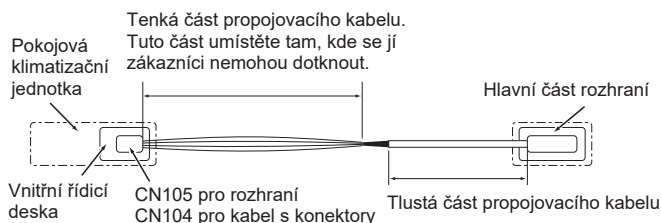
Jistič musí být vždy zapnutý, s výjimkou provádění údržby nebo kontroly. Zavěste doprovodný štítek (14) nebo (15) na jistič a vysvětlte jej zákazníkům. Při vypnutí jističe není do čidla chladiva namontovaného ve vnitřní jednotce dodáváno napětí, a únik chladiva tak nelze zjistit.

Poznámka: Pokud je kabeláž tvořena samostatnými napájecími zdroji vnitřní/venkovní jednotky, zavěste doprovodný štítek (14) nebo (15) na jistič na straně vnitřní jednotky a vysvětlte jej zákazníkům.

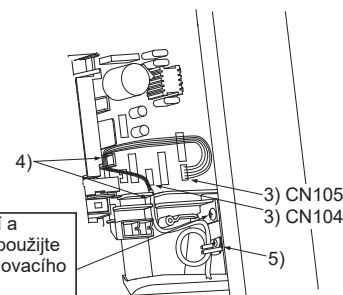


2-10. PŘIPOJENÍ ROZHRAŇÍ (VOLITELNÉ) / KABELU S KONEKTORY (VOLITELNÉ) KE KLIMATIZAČNÍ JEDNOTCE

- Připojte rozhraní / kabel s konektory k řídicí desce vnitřní klimatizační jednotky pomocí propojovacího kabelu.
- Zkrácení nebo prodloužení rozhraní / kabelu s konektory vede k poruchám připojení. Propojovací kabel nedávejte do jednoho svazku se síťovým napájecím kabelem, propojovacím kabelem vnitřní/venkovní jednotky a/nebo uzemněním. Mezi propojovacím kabelem a těmito kabely zachovejte co největší vzdálenost.
- Tenká část propojovacího kabelu by měla být skladována a umístěna tam, kde se jí zákazníci nemohou dotknout.



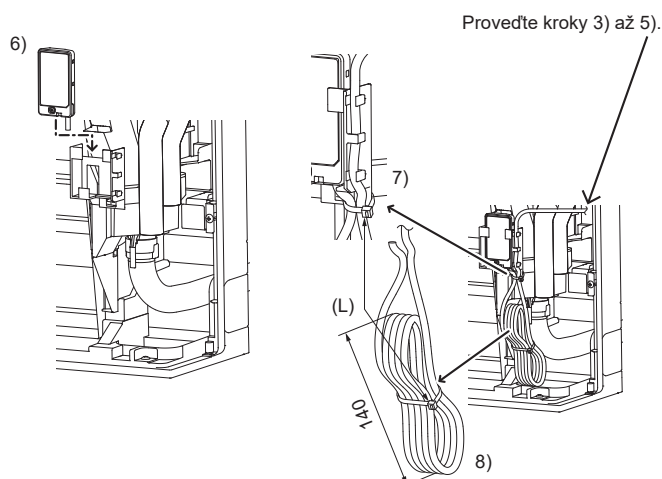
- 1) Sejměte panel.
- 2) Otevřete kryt vnitřní řídicí desky.
- 3) Připojte propojovací kabel ke konektoru CN105 a/nebo CN104 na řídicí desce vnitřní jednotky.
- 4) Propojovací kabel ved'te tímto bodem uvedeným na obrázku.
- 5) Pomocí šroubu 4 x 16 připevněte kabelovou svorku dodanou s rozhraním / kabelem s konektory k tlusté části propojovacího kabelu podle obrázku.
- 6) Zavřete kryt vnitřní řídicí desky. Dbejte na to, abyste do krytu nepřivřeli tenkou část propojovacího kabelu. Znovu namontujte panel.



Poznámka:

Při připojování k rozhraní Wi-Fi (volitelné) nainstalujte rozhraní do držáku, jak je znázorněno na obrázku. Upravte délku kabelu a svažte jej podle obrázku.

- 1) Sejměte panel.
- 2) Otevřete kryt řídicí desky vnitřní jednotky.
- 3) Připojte propojovací kabel ke konektoru CN105 na řídicí desce vnitřní jednotky.
- 4) Propojovací kabel ved'te tímto bodem uvedeným na obrázku.
- 5) Pomocí šroubu 4 x 16 připevněte kabelovou svorku dodanou s rozhraním / kabelem s konektory k tlusté části propojovacího kabelu podle obrázku.
- 6) Nastavte Wi-Fi rozhraní v držáku.
- 7) Vložte propojovací kabel do držáku a upevněte jej páskem (L).
- 8) Přebytečný kabel svažte páskem (L). Srolovaný díl by měl mít cca 140 mm.
- 9) Zavřete kryt vnitřní řídicí desky. Dbejte na to, abyste do krytu nepřivřeli tenkou část propojovacího kabelu. Znovu namontujte panel.



⚠ VÝSTRAHA

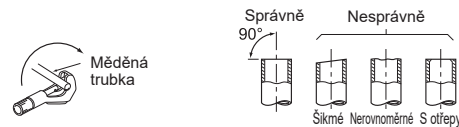
Bezpečně upevněte připojovací kabel v předepsané poloze. Nesprávná instalace může způsobit úraz elektrickým proudem, požár a/nebo poruchu.

3. SPOJ ROZVÁLCOVÁNÍM, SPOJ TRUBKY

3-1. ROZVÁLCOVÁNÍ

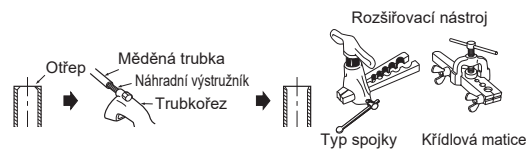
- 1) Proveďte správné zařiznutí měděné trubky pomocí trubkořezu. (Obr. 1, 2)
- 2) Odstraňte veškeré ořepky z okolí příčného řezu trubky. (Obr. 3)
 - Při odstraňování ořepků skloňte konec měděné trubky směrem dolů, aby bylo zamezeno padání ořepků do potrubí.
- 3) Po odstranění ořepků sejměte z vnitřní a venkovní jednotky převlečné matice a nasadte je na trubku. (Po rozválnování je již není možné nasadit.)
- 4) Rozválnování (Obr. 4, 5). Měděnou trubku držte pevně v upínací čelisti o rozměrech uvedených v tabulce. Z tabulky vyberte hodnotu A v mm podle použitého nástroje.
- 5) Kontrola
 - Porovnejte vytvořený rozšířený úsek s Obr. 6.
 - Pokud zjistíte, že rozválnování není v pořádku, rozválnovanou část odřízněte a proveďte rozválnování znovu.

Průměr trubky (mm)	Matice (mm)	A (mm)			Utahovací moment		
		Nástroj se spojkou pro médium, R32, R410A	Nástroj se spojkou pro médium R22	Nástroj s křídlovou maticí pro médium R22	Nm	kgf/cm	
ø6,35 (1/4")	17	0 až 0,5	1,0 až 1,5	1,5 až 2,0	14 až 18	140 až 180	
ø9,52 (3/8")	22				34 až 42	340 až 420	
ø12,7 (1/2")	26				2,0 až 2,5	49 až 61	490 až 610
ø15,88 (5/8")	29				-	68 až 82	680 až 820



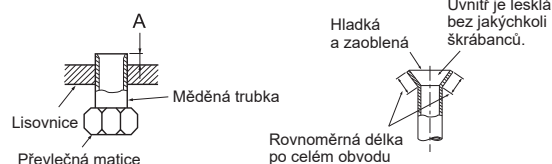
Obr. 1

Obr. 2



Obr. 3

Obr. 4



Obr. 5

Obr. 6

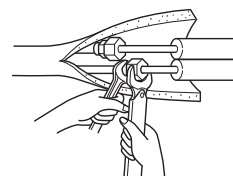
3-2. PŘIPOJENÍ POTRUBÍ

- Pomocí momentového klíče utáhněte převlečnou matici podle technických údajů uvedených v tabulce.
- Je-li převlečná matice nadměrně utažena, může po určité době prasknout a způsobit únik chladicího média.
- Okolo potrubí vždy omotejte izolaci. Přímý kontakt s obnaženým potrubím může způsobit popálení nebo omrzliny.

Připojení vnitřní jednotky

Připojte k vnitřní jednotce jak kapalinové, tak i plynové potrubí.

- Chladicí olej však nenanášejte na závity šroubů. Nadměrný utahovací moment bude mít za následek poškození šroubu.
- Při připojování nejprve vyrovnejte střed a poté utáhněte převlečnou matici o první 3 až 4 otáčky rukou.
- Při utahování bočního spojovacího šroubení vnitřní jednotky použijte jako vodítko výše uvedenou tabulku utahovacích momentů a utahujte pomocí dvou klíčů. Nadměrným dotažením poškodíte rozválnovanou část.



⚠ VÝSTRAHA

Při montáži jednotky před spuštěním kompresoru řádně připojte potrubí chladicího média.

⚠ VÝSTRAHA

Uvnitř budov nejsou povoleny znovu použitelné mechanické spojky a rozšířené přípojky.

Jestliže spojíte potrubí chladicího média pájením, namísto rozšiřováním spojů, je nutné provést veškeré pájení ještě před připojením vnitřní jednotky k venkovní jednotce.

4. ZKUŠEBNÍ PROVOZ

4-1. ZKUŠEBNÍ PROVOZ

Ujistěte se, že je provedeno následující.

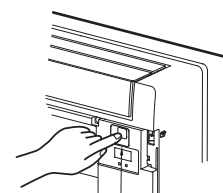
- Panel je nainstalován správně.
- Vnitřní a venkovní jednotky jsou správně nainstalovány a je přiváděno napájení.

- 1) Stiskněte nouzový vypínač E.O. SW: jedenkrát pro režim CHLAZENÍ a dvakrát pro režim TOPENÍ. Zkušební chod bude probíhat po dobu 30 minut. Bude-li levá kontrolka indikátoru provozu blikat v intervalu 0,5 sekundy, zkontrolujte správnost připojení pojídací kabel vnitřní/venkovní jednotky (A). Po dokončení zkušebního chodu přejde zařízení do nouzového režimu (s nastavenou teplotou 24 °C).
- 2) Chcete-li tento provoz ukončit, opakovaně stiskněte nouzový vypínač E.O. SW, dokud všechny signální kontrolky LED nezhasnou. Podrobnosti je třeba vyhledat v návodu k obsluze.

Proveďte kontrolu příjmu dálkového (infračerveného) ovládacího signálu

Stiskněte vypínací/zapínací tlačítko ON/OFF na dálkovém ovladači (10) a zkontrolujte, zda je z vnitřní jednotky slyšet zvuk vydávaný elektronickými obvody. Opětovným stisknutím vypínacího/zapínacího tlačítka ON/OFF pak klimatizační zařízení vypne.

- Jakmile se zastaví kompresor, uveďte se v činnost zařízení zabraňující opětovnému spuštění, následkem čehož nebude kompresor možno po dobu 3 minut uvést opět do provozu a tím bude zajištěna ochrana klimatizačního zařízení.



Nouzový vypínač E.O. SW (spínač nouzového provozního režimu)

4-2. FUNKCE AUTOMATICKÉHO RESTARTOVÁNÍ

Tento výrobek je vybaven funkcí automatického restartování. Je-li během provozu přerušeno elektrické napájení, například během výpadků elektrické sítě, tato funkce automaticky zahajuje provoz za použití předcházejícího nastavení, jakmile je napájení obnoveno. (Podrobnosti je třeba vyhledat v návodu k obsluze.)

Pozor:

- Po zkušebním chodu nebo kontrole příjmu signálu dálkového ovládacího zařízení vypněte jednotku pomocí nouzového vypínače E.O. SW nebo dálkového ovladače a teprve poté vypněte elektrické napájení. Nedodržení tohoto postupu způsobí automatické zahájení provozu jednotky při obnově elektrického napájení.

Pro uživatele

- Po instalaci jednotky je třeba zajistit, aby uživateli byl vysvětlen způsob používání funkce automatického restartování.
- Je-li funkce automatického restartování zbytečná, lze ji deaktivovat. S požadavkem na provedení deaktivace této funkce se obraťte na servisního zástupce. Podrobnosti lze nalézt v servisní příručce.

4-3. VYSVĚTLENÍ PRO UŽIVATELE

- Za použití NÁVODU K OBSLUZE vysvětlíte uživateli, jakým způsobem se má klimatizační zařízení používat (jak používat dálkový ovladač, jak vyjmout vzduchové filtry, jak vyjmout dálkový ovladač z držáku nebo jak jej do držáku vložit, jak provádět čištění, na co si dát pozor při provozu atd.).
- Doporučte uživateli, aby si pečlivě přečetl NÁVOD K OBSLUZE.

5. VYPUŠTĚNÍ CHLADICÍHO MÉDIA

Dodržujte postupy uvedené v instalačním návodu venkovní jednotky.

VÝSTRAHA

Jestliže dochází k úniku na chladicím okruhu, neprovádějte odčerpání pomocí kompresoru. Při vypouštění chladicího média vypněte před odpojením potrubí chladicího média kompresor. Pokud se do kompresoru dostane vzduch atd., může dojít k jeho prasknutí.

OBSAH

1. PRED INŠTALÁCIOU	1
2. INŠTALÁCIA INTERIÉROVEJ JEDNOTKY	4
3. PRIPOJENIE PERTLOVANÉHO SPOJA, PRIPOJENIE POTRUBÍ	8
4. SKÚŠOBNÁ PREVÁDZKA	8
5. ODČERPANIE	9

Názvy modelov sú uvedené v časti 1-3.





Tento návod na inštaláciu opisuje len interiérovú jednotku. Ak chcete nastaviť exteriérové jednotky, postupujte podľa návodu na inštaláciu exteriérových jednotiek.

Nástroje potrebné na inštaláciu

Skrutkovač Phillips	Pertlovačka – R32, R410A
Vodováha	Tlakomerná súprava – R32, R410A
Mierka	Vákuová pumpa – R32, R410A
Orezávač alebo nožnice	Plniaca hadica – R32, R410A
Korunový vrták 75 mm	Rezačka potrubí s výstružníkom
Momentový kľúč	Fľaša na vodu
Francúzsky (alebo vidlicový) kľúč	0,9 až 1 l vody

1. PRED INŠTALÁCIOU

VÝZNAM SYMBOLOV NA INTERIÉROVEJ A EXTERIÉROVEJ JEDNOTKE

	VÝSTRAHA (Nebezpečenstvo požiaru)	V tomto zariadení sa používa horľavé chladivo. Ak sa v prípade úniku dostane chladivo do styku s ohňom alebo ohrevnou súčasťou, vzniknú nebezpečné výpary, ktoré sa môžu vznietiť.
		Pred použitím zariadenia si dôkladne preštudujte NÁVOD NA OBSLUHU.
		Servisní pracovníci si musia pred akýmkoľvek zásahom dôkladne preštudovať NÁVOD NA OBSLUHU a NÁVOD NA INŠTALÁCIU.
		Ďalšie informácie sú k dispozícii v NÁVODE NA OBSLUHU, NÁVODE NA INŠTALÁCIU a v ďalšej dokumentácii.

1-1. Z HĽADISKA BEZPEČNOSTI JE VŽDY POTREBNÉ PAMÄTAŤ NA NASLEDOVNÉ

- Pred inštaláciou klimatizácie si dôkladne preštudujte časť „Z HĽADISKA BEZPEČNOSTI JE VŽDY POTREBNÉ PAMÄTAŤ NA NASLEDOVNÉ“.
- Vždy dodržiavajte výstrahy a upozornenia uvedené v tomto návode, sú dôležité pre vašu bezpečnosť.
- Po prečítaní si tento návod odložte spolu s NÁVODOM NA OBSLUHU pre prípad potreby v budúcnosti.

▲ VÝSTRAHA (Môže dôjsť k usmrteniu, vážnemu úrazu a pod.)

- **Neinštalujte zariadenie sami (používateľ).** Nekompletná inštalácia by mohla spôsobiť požiar, zásah elektrickým prúdom, úraz v dôsledku pádu zariadenia alebo únik vody. Obráťte sa na predajcu, od ktorého ste zariadenie zakúpili, alebo na kvalifikovaného inštalátora.
- **Vykonajte inštaláciu riadne podľa návodu na inštaláciu.** Nekompletná inštalácia by mohla spôsobiť požiar, zásah elektrickým prúdom, úraz v dôsledku pádu zariadenia alebo únik vody.
- **Pri inštalácii zariadenia používajte v záujme bezpečnosti vhodné nástroje a ochranné prostriedky.** V opačnom prípade môže dôjsť k úrazu.
- **Zariadenie nainštalujte pevne na mieste, ktoré unesie jeho hmotnosť.** Ak miesto inštalácie neunesie hmotnosť zariadenia, môže dôjsť k pádu zariadenia a k úrazu.
- **Elektrické zapojenie musí vykonať kvalifikovaný a skúsený elektrikár podľa návodu na inštaláciu. Používajte len vyhradený obvod. Nepripájajte do toho istého obvodu iné elektrické zariadenia.** Ak kapacita elektrického obvodu nie je dostatočná alebo elektrické zapojenie nie je vykonané úplne, môže dôjsť k požiaru alebo zásahu elektrickým prúdom.
- **Zariadenie správne uzemnite.** Uzemnenie nepripájajte k plynovému ani vodovodnému potrubiu, bleskozvodu ani k uzemneniu telefónu. Chybné uzemnenie môže spôsobiť zásah elektrickým prúdom.
- **Na diely ani skrutky nevyvíjajte nadmerný tlak, aby ste nepoškodili vodiče.** Poškodené vodiče by mohli spôsobiť požiar alebo zásah elektrickým prúdom.
- **Keď pracujete na interiérovom elektrickom obvode alebo zapájate vodiče, nezabudnite vypnúť hlavný prívod elektriny.** V opačnom prípade môže dôjsť k zásahu elektrickým prúdom.
- **Interiérovú aj exteriérovú jednotku spoľahlivo zapojte pomocou určených vodičov a vodiče pevne pripojte do určených svoriek v svorkovnici tak, aby sa na svorky neprenášal ťah vodičov. Vodiče nenadpájajte ani nepripájajte do medziľahlého bodu.** Nedostatočné zapojenie a zaistenie môže viesť k požiaru.
- **Neinštalujte zariadenie na mieste, kde by mohlo dôjsť k úniku horľavých plynov.** V prípade úniku plynu a jeho nahromadenia v okolí zariadenia môže dôjsť k výbuchu.
- **Nepripájajte do medziľahlého bodu elektrického kábla ani pomocou predlžovacieho kábla a nepripájajte do jednej zásuvky viac zariadení.** Mohlo by dôjsť k požiaru alebo zásahu elektrickým prúdom v dôsledku chybného kontaktu, chybného izolácie, prekročenia prúdových špecifikácií atď.
- **Pri inštalácii používajte len dodané diely alebo diely s rovnakými špecifikáciami.** Použitie nesprávnych dielov by mohlo viesť k úrazu alebo k úniku vody v dôsledku požiaru, zásahu elektrickým prúdom, pádu zariadenia a pod.
- **Pri pripájaní zástrčky do elektrickej zásuvky skontrolujte, či na zásuvke ani na zástrčke nenájdete prach, nečistoty alebo uvoľnené spoje. Dbajte na úplné zasunutie zástrčky do elektrickej zásuvky.** Prach, nečistoty alebo uvoľnené spoje na elektrickej zástrčke alebo zásuvke môžu spôsobiť zásah elektrickým prúdom alebo požiar. Ak sú spoje elektrickej zástrčky uvoľnené, vymeňte ju.
- **Na interiérovú jednotku riadne upevnite elektrický kryt a na exteriérovú jednotku servisný panel.** Ak elektrický kryt interiérovej jednotky alebo servisný panel exteriérovej jednotky nie je riadne upevnený, môže dôjsť k požiaru alebo zásahu elektrickým prúdom vplyvom prachu, vody a pod.
- **Pri inštalácii, premiestňovaní či servise zariadenia dbajte, aby sa do chladiaceho okruhu nedostala žiadna látka okrem predpísaného chladiva (R32/R410A).** Prítomnosť akejkoľvek inej látky, napríklad vzduchu, môže vyvolať abnormálne zvýšenie tlaku a spôsobiť výbuch alebo úraz. Použitie inej než predpísaného chladiva v systéme spôsobí zlyhanie mechaniky, nesprávne fungovanie systému alebo poruchu zariadenia. V najhoršom prípade to môže viesť k vážnemu narušeniu bezpečnosti fungovania výrobku.
- **Neupravujte jednotku.** Môže to spôsobiť požiar, úraz elektrickým prúdom, zranenie alebo únik vody.
- **Nevpúšťajte chladivo do ovzdušia. Ak počas inštalácie dôjde k úniku chladiva, vyvetrajte miestnosť. Po dokončení inštalácie skontrolujte, či chladivo už neuniká.** Ak chladivo uniká a dostane sa do styku s ohňom alebo horúcou súčasťou, ako je ventilátorový ohrievač, petrolejový ohrievač alebo sporák, vzniknú nebezpečné výpary. Zabezpečte vetranie podľa normy EN378-1.
- **Na inštaláciu používajte vhodné nástroje a potrubia.** Chladivo R32/R410A má 1,6-krát vyšší tlak ako chladivo R22. V prípade použitia nevhodných nástrojov alebo materiálov či neúplenej inštalácie môže dôjsť k prasknutiu potrubia alebo úrazu.
- **Keď v chladiacom obvode dochádza k úniku, odčerpávanie nevykonávajte kompresorom. Pri pumpovaní chladiva pred rozpojením chladiaceho potrubia zastavte kompresor.** Ak rozpojíte chladiace potrubie, keď je kompresor spustený a uzatvárací ventil otvorený, môže sa dnu vtiahnúť vzduch a tlak v chladiacom okruhu sa môže nadmerne zvýšiť. To môže viesť k prasknutiu potrubia alebo k úrazu.
- **V závislosti od miesta inštalácie nainštalujte zemný istič.** Inštalácia bez zemného ističa môže spôsobiť zásah elektrickým prúdom.
- **Pri inštalácii zariadenia pred spustením kompresora dôkladne spojte chladiace potrubie.** Ak spustíte kompresor pred spojením chladiaceho potrubia a keď je uzatvárací ventil otvorený, môže sa dnu vtiahnúť vzduch a tlak v chladiacom okruhu sa môže nadmerne zvýšiť. To môže viesť k prasknutiu potrubia alebo k úrazu.
- **Upevnite prevlečnú maticu momentovým kľúčom podľa tohto návodu.** Ak prevlečnú maticu dotiahnete príliš, po dlhšej dobe sa môže zlomiť a spôsobiť únik chladiva.
- **Zariadenie je potrebné inštalovať v súlade s miestnymi právnymi predpismi pre elektroinštaláciu.**
- **Keď používate plynový horák alebo iné zariadenie s otvoreným ohňom, úplne odstráňte z klimatizácie všetko chladivo a zabezpečte riadne vetranie priestorov.** Ak sa v prípade úniku dostane chladivo do styku s ohňom alebo ohrevnou súčasťou, vzniknú nebezpečné výpary, ktoré sa môžu vznietiť.
- **Nepoužívajte iné prostriedky na urýchlenie procesu rozmrazenia alebo na čistenie, než odporúča výrobca.**
- **Zariadenie skladujte len v miestnosti bez zdrojov vznietenia s nepretržitou prevádzkou (napr. otvorený oheň, zapnutý plynový spotrebič alebo zapnutý elektrický ohrievač).**
- **Neprepichujte ani nehadzte do ohňa.**
- **Pozor, chladivo môže byť bez zápachu.**
- **Potrubia musia byť chránené pred fyzickým poškodením.**
- **Dĺžka nainštalovaného potrubia musí byť čo najmenšia.**
- **Je nutné dodržať vnútroštátne predpisy týkajúce sa plynových inštalácií.**
- **Všetky vetracie otvory chráňte pred upchatím.**
- **Na mieste, kde sa vykonáva inštalácia klimatizácie, jej oprava alebo iné práce s ňou, sa nesmú nachádzať plynové spotrebiče, elektrické ohrievače a iné zdroje vznietenia (otvoreného ohňa).**
- **Zariadenie skladujte v dobre vetranej miestnosti podobnej veľkosti ako miestnosť, v ktorej sa má používať.**
- **Nevpínajte istič okrem prípadov zápachu spálenia alebo pri vykonávaní údržby alebo kontroly.** Napájanie sa nedodáva do snímača chladiva nainštalovaného v interiérovej jednotke a snímač nemôže rozpoznať únik chladiva. To môže spôsobiť požiar.
- **Prepojovací kábel bezpečne pripievte na požadované miesto.** Nesprávna inštalácia môže spôsobiť zásah elektrickým prúdom, požiar alebo poruchu.

⚠ UPOZORNENIE (V niektorých prostrediach môže pri nesprávnej obsluhu dôjsť k vážnemu úrazu.)

- **Vykonajte inštaláciu odtoku a potrubí riadne podľa návodu na inštaláciu.**
V prípade chyby v odtoku alebo potrubíach môže zo zariadenia kvapkať voda, ktorá nasiakne do predmetov v domácnosti a poškodí ich.
- **Nedotýkajte sa prívodu vzduchu ani hliníkových rebier exteriérovej jednotky.**
Mohlo by dôjsť k úrazu.
- **Pri kontakte so základňou exteriérovej jednotky používajte ochranné prostriedky.**
V opačnom prípade môže dôjsť k úrazu.

- **Neinštalujte exteriérovú jednotku na miestach, kde môžu žiť drobné živočíchy.**
Ak sa drobné živočíchy dostanú do styku s elektrickými súčasťami vnútri jednotky, môže dôjsť k poruche, dymeniu alebo požiaru. Taktiež používateľa upozorníte, aby v okolí zariadenia udržoval čistotu.
- **Nepoužívajte klimatizáciu počas stavebných a dokončovacích prác v interiéri ani počas voskovania podlahy.**
Po dokončení takýchto prác dobre vyvetrajte miestnosť a až potom zapnite klimatizáciu. V opačnom prípade sa môžu vnútri klimatizačnej jednotky prichytiť prchavé zložky a v dôsledku toho môže dôjsť k úniku vody alebo rozprašovaniu kvapiek.

- **Neinštalujte jednotku na mieste, kde by mohlo dôjsť k úniku dymu, plynu alebo liečiv.**
Snímač chladiva nainštalovaný v interiérovej jednotke by na ne mohol zareagovať a zobrazí chybu úniku chladiva.
- **Keď je istič zapnutý, dávajte pozor na otáčanie ventilátora.**
Keď snímač chladiva zaznamená únik chladiva, automaticky sa začne otáčať ventilátor. Mohlo by dôjsť k úrazu.
- **Ak používate aerosólový sprej pre stavebné a dokončovacie práce v interiéri alebo utesňujete diery v stene, vypnite istič a miestnosť dobre vyvetrajte. Snímač chladiva môže reagovať na plyn v sprejoch a spôsobiť chybnú detekciu.**

1-2. VÝBER MIESTA INŠTALÁCIE

Tento návod opisuje len inštaláciu interiérovej jednotky.

Ak inštalujete exteriérovú jednotku, postupujte podľa návodu na inštaláciu exteriérovej jednotky.

INTERIÉROVÁ JEDNOTKA

⚠ VÝSTRAHA

Táto jednotka sa smie inštalovať len v miestnostiach s rozlohou väčšou, než je uvedené v návode na inštaláciu exteriérovej jednotky.

- Pozrite si návod na inštaláciu exteriérovej jednotky.

Pri inštalácii interiérových jednotiek musia byť splnené nasledujúce podmienky:

- Kde nie je obmedzené prúdenie vzduchu.
- Kde sa chlad (alebo teplo) šíri rovnomerne po celej miestnosti.
- Pevná stena bez vibrácií.
- Kde nebude vystavená priamemu slnečnému svetlu. Nevystavujte jednotku priamemu slnečnému svetlu ani v období medzi vybalením a použitím.
- Na mieste s ľahkým odtokom.
- Vo vzdialenosti 1 m alebo viac od TV a rozhlasového prijímača. Prevádzka klimatizácie môže rušiť rozhlasový alebo televízny príjem. Pre dané zariadenie môže byť potrebné použiť zosilňovač.
- Čo najďalej od svietidiel so žiarivkami a žiarovkami. Je to potrebné na správne fungovanie infračerveného diaľkového ovládača klimatizácie. Teplo zo svietidiel môže spôsobiť deformáciu a ultrafialové svetlo zhoršovanie kvality.
- Na mieste, kde bude možné ľahko vybrať a vymeniť vzduchový filter.
- Na mieste vzdialenom od iných zdrojov tepla a pary.
- Neinštalujte jednotku na miesto, kde sa používajú plynové zariadenia na propán, bután alebo metán, insekticídne spreje, povrchové materiály a liečivá, zariadenia, ktoré vytvárajú dym, alebo na mieste, kde sa vytvára plyn na báze síry.
- Snímač chladiva nainštalovaný v interiérovej jednotke by na ne mohol zareagovať a zobrazí chybu úniku chladiva. To môže spôsobiť zastavenie jednotky.

DIAĽKOVÝ OVLÁDAČ

Pri skladovaní diaľkového ovládača sa uprednostňujú nasledujúce podmienky:

- Kde bude dobre viditeľný a kde sa bude ľahko ovládať.
- Mimo dosahu detí.
- Vyberte miesto približne 1,2 m nad zemou a overte, či interiérová jednotka spoľahlivo prijíma signály z diaľkového ovládača v tejto pozícii (zaznie jedno alebo dve pípnutia).

Poznámka:

V miestnostiach, kde sa používajú žiarivky s invertorom, sa nemusí dať prijímať signál z bezdrôtového diaľkového ovládača.

Poznámka:

Vyhýbajte sa nasledovným miestam inštalácie, kde klimatizácie často mávajú problémy.

- Kde môže dôjsť k úniku horľavých plynov.
- Kde sa vyskytuje veľa strojového oleja.
- Kde špliecha olej alebo v priestore s masným dymom (napríklad v priestoroch, kde sa varí, alebo v továrňach, kde by sa mohli poškodiť plasty alebo zmeniť ich vlastnosti).
- Na miestach s vysokým výskytom soli, napríklad pri mori.
- Kde sa tvorí sirnatý plyn, napríklad pri termálnych prameňoch, kanalizácii alebo čističke odpadových vôd.
- Kde pracuje vysokofrekvenčné alebo bezdrôtové zariadenie.
- Kde je vysoká hladina emisií prchavých organických zlúčenín vrátane ftalátových zlúčenín, formaldehydu atď., ktoré môžu spôsobiť popraskanie vplyvom chemikálií.
- Zariadenie skladujte tak, aby nedošlo k jeho mechanickému poškodeniu.

Ak vykonávate pripojenie k exteriérovej jednotke, ktorá používa chladivo R32, interiérovú jednotku nainštalujte v miestnosti s plochou podlahy Amin (alebo väčšou) určenou pre chladivo M (chladivová náplň z výroby + chladivo doplnené na mieste). Informácie o množstve chladiva a dodatočnom doplnení chladiva nájdete v dokumentácii k exteriérovej jednotke.

M [kg]	Amin [m ²]
1,00	Žiadne požiadavky
1,10	
1,20	
1,30	
1,40	
1,50	
1,60	
1,70	
1,80	
1,84	
1,90	3,75
2,00	3,95
2,10	4,15
2,20	4,34
2,30	4,54
2,40	4,74

Informácie o doplnení chladiva nájdete v návode na inštaláciu exteriérovej jednotky.

1-3. TECHNICKÉ ÚDAJE

Model	Napájanie *1		Technické údaje vodičov *2	Veľkosť potrubia (hrúbka *3, *4, *5, *6)		Hrúbka izolácie *7, *8
	Menovité napätie	Frekvencia		Plyn	Kvapalina	
MFZ-KT25VG	230 V	50 Hz	4-žilový 2,0 mm ²	ø9,52 mm (0,8 mm)	ø6,35 mm (0,8 mm)	14 mm
MFZ-KT35VG				ø12,7 mm (0,8 mm)		
MFZ-KT50VG				ø15,88 mm (0,8 mm)		
MFZ-KT60VG						

*1 Pripojte k vypínaču, ktorý má v otvorenom stave medzeru aspoň 3 mm na prerušenie fáz napájacieho zdroja. (Keď je vypínač vypnutý, musia byť prerušené všetky fázy.)
 *2 Použite vodiče v súlade s dizajnom 60245 IEC 57.
 *3 Nikdy nepoužívajte potrubia s menšou ako stanovenou hrúbkou. Ich tlaková odolnosť nie je dostatočná.

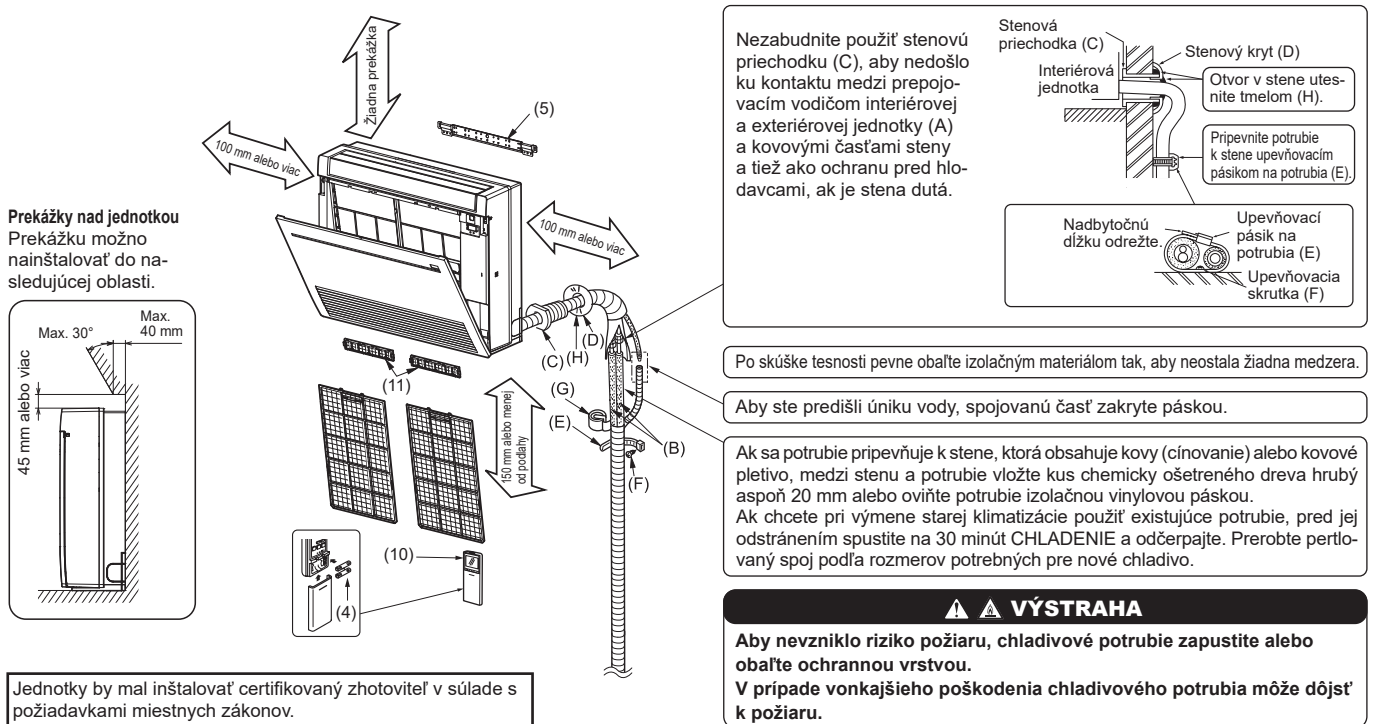
*4 Použite medené rúrky alebo súvislé liate medené potrubie.
 *5 Pri ohýbaní potrubia dávajte pozor, aby ste ho nepomliaždili alebo nepokrčili.
 *6 Polomer ohybu chladivového potrubia musí byť najmenej 100 mm.
 *7 Izolačný materiál: Tepelne odolný penový plast s mernou hmotnosťou 0,045

*8 Dbajte na dodržanie stanovenej hrúbky izolácie. Nadmerná hrúbka môže mať za následok nesprávnu inštaláciu interiérovej jednotky, nedostatočná hrúbka môže spôsobiť kvapkanie kondenzátu.

1-4. DIAGRAM INŠTALÁCIE

Pri inštalácii exteriérových jednotiek postupujte podľa návodu na inštaláciu exteriérových jednotiek.

Tabuľka so špecifikáciami potrubia neobsahuje informáciu o minimálnej dĺžke rozvodov. Vnútorne jednotky, ku ktorým je pripojené potrubie kratšie než 3 m, môžu počas normálnej prevádzky vo veľmi tichom prostredí vydávať prerušovaný hluk. Pri inštalácii a výbere umiestnenia vnútornej jednotky v klimatizovanom priestore by ste mali zobrať na vedomie túto dôležitú informáciu.



PRÍSLUŠENSTVO

Pred inštaláciou skontrolujte nasledovné súčasti.

(1) Odtoková hadica*	1
(2) Kryt potrubí	1
(3) Sťahovacia páska	2
(4) Batéria (AAA) pre (10)	2
(5) Montážna konzola interiérovej jednotky	1
(6) Upevňovacia skrutka na (5) 4 × 25 mm	5
(7) Skrutka do dreva na upevnenie interiérovej jednotky	4
(8) Podložka pre (7)	4
(9) Pistená páska (na vedenie potrubia vľavo alebo vľavo vzadu)	1
(10) Bezdrôtový diaľkový ovládač	1
(11) Filter na čistenie vzduchu	2
(12) Spojovacie potrubie (len KT60)	1
(13) Kryt pre spojovacie potrubie (len KT60)	1
(14) Štítok ističa	1
(15) Oznámenie o ističi	1

* Poznámka:

Odtoková hadica je pripojená k jednotke.

SÚČASTI, KTORÉ SI POTREBUJETE ZA- BEZPEČIŤ

(A) Prepojovací vodič interiérovej a exteriérovej jednotky*	1
(B) Predĺžovacie potrubie	1
(C) Stenová priechodka	1
(D) Stenový kryt	1
(E) Upevňovací pásik na potrubia	2 až 5
(F) Upevňovacia skrutka na (E) 4 × 20 mm	2 až 5
(G) Potrubná páska	1
(H) Tmel	1
(J) Odtoková hadica (alebo mäkká PVC hadica s vnútorným priemerom 15 mm, prípadne tvrdá PVC hadica VP16)	1 alebo 2
(K) Napájací kábel*	1
(L) Pásmo (iba pripojenie cez rozhranie Wi-Fi)	2

* Poznámka:

Umiestnite prepojovací vodič interiérovej a exteriérovej jednotky (A) a napájací kábel (K) aspoň 1 m od kábla TV antény.

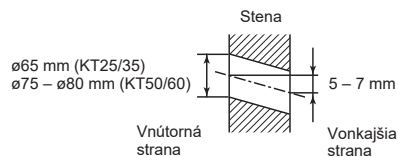
2. INŠTALÁCIA INTERIÉROVEJ JEDNOTKY

2-1. UPEVNENIE MONTÁŽNEJ KONZOLY INTERIÉROVEJ JEDNOTKY

- Interiérovú jednotku neinštalujte na miesto vyššie ako 150 mm.
- Nájdite na stene konštrukčný prvok (napríklad trám) a pripevnite konzolu (5) do vodorovnej polohy pomocou upevňovacích skrutiek (6).
- Aby konzola (5) nevíbrovala, namontujte upevňovacie skrutky do otvorov znázornených na obrázku. Pre väčšiu pevnosť môžete namontovať upevňovacie skrutky aj do iných otvorov.

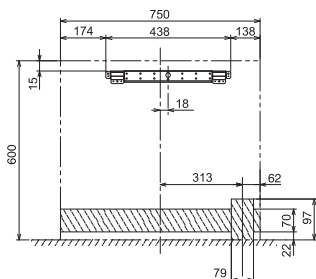
2-2. VYVŔTANIE OTVORU

- 1) Určte polohu otvoru v stene.
- 2) Vyvŕtajte otvor s priemerom 65 mm (s priemerom 75 – 80 mm v prípade modelu KT50/60). Vonkajšia strana by mala byť o 5 až 7 mm nižšie ako vnútorná.
- 3) Vložte do otvoru stenovú priechodku (C).

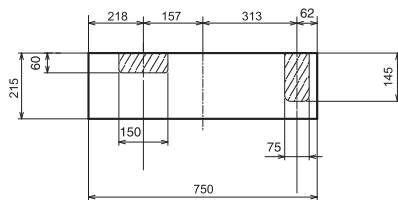


POLOHY OTVOROV

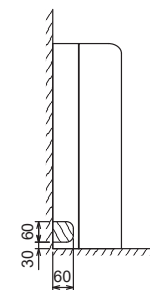
PRE ZADNÉ ALEBO ĽAVÉ ZADNÉ POTRUBIA
(Nasledujúci obrázok znázorňuje predný pohľad na miesto inštalácie interiérovej jednotky.)



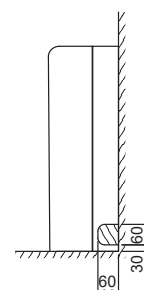
PRE PRAVÉ DOLNÉ ALEBO ĽAVÉ DOLNÉ POTRUBIA
(Nasledujúci obrázok znázorňuje pohľad na spodnú časť interiérovej jednotky zhora.)



PRE ĽAVÉ POTRUBIE



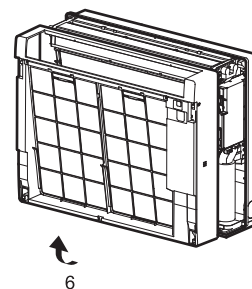
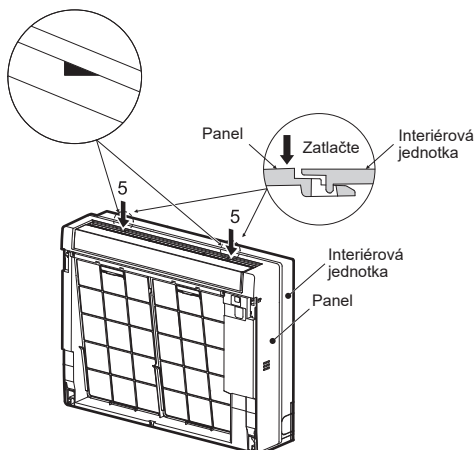
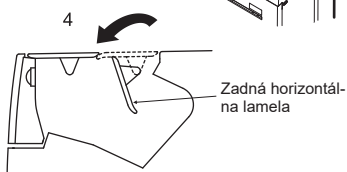
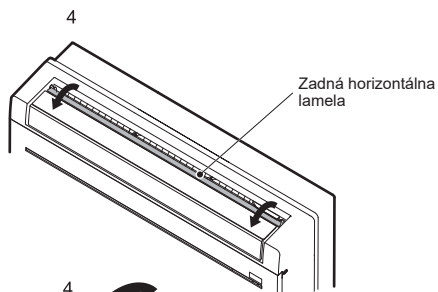
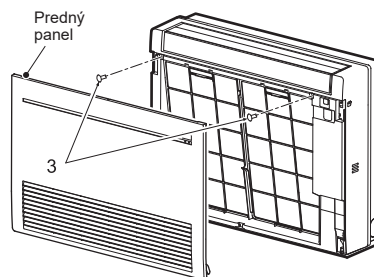
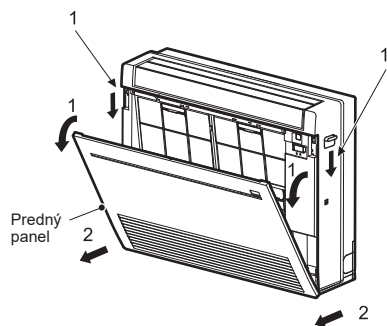
PRE PRAVÉ POTRUBIE



2-3. PRÍPRAVA INTERIÉROVEJ JEDNOTKY

Zložte predný panel interiérovej jednotky.

- 1) Zatačte na západku na oboch stranách jednotky na otvorenie predného panela.
- 2) Potiahnite predný panel smerom k sebe na jeho odstránenie.
- 3) Odskrutkujte 2 skrutky.
- 4) Otvorte zadnú horizontálnu lamelu.
- 5) Zatačte na 2 body v hornej časti panela a potom potiahnite hornú časť panela smerom k sebe.
- 6) Zdvíhajte panel nahor (mierne) a demontujte ho.



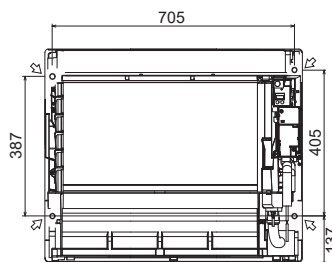
2-4. INŠTALÁCIA INTERIÉROVEJ JEDNOTKY

2-4-1. INŠTALÁCIA INTERIÉROVEJ JEDNOTKY NA PODLAHU

- 1) Umiestnite interiérovú jednotku na rovnú podlahu.
- 2) Pripevnite interiérovú jednotku v 4 bodoch pomocou dodaných skrutiek do dreva (7) a podložiek (8). Skrutky pevne dotiahnite.

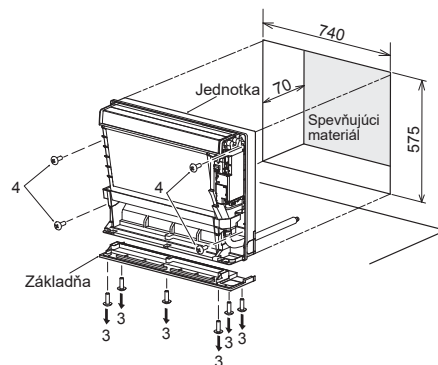
2-4-2. UPEVNENIE INTERIÉROVEJ JEDNOTKY NA STENU

- 1) Zaveste hornú časť interiérovej jednotky na montážnu konzolu interiérovej jednotky (5).
- 2) Pripevnite interiérovú jednotku v 4 bodoch pomocou dodaných skrutiek do dreva (7) a podložiek (8). Skrutky pevne dotiahnite.



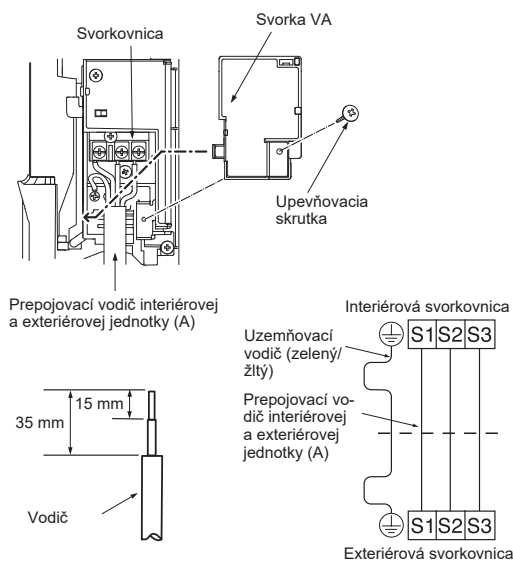
2-4-3. ZAPUSTENIE INTERIÉROVEJ JEDNOTKY DO STENY

- 1) Vytvorte otvor v stene.
- 2) Pomocou spevňujúceho materiálu upravte hĺbku.
- 3) Vyberte 6 skrutiek, ktoré upevňujú základňu k jednotke. Demontujte základňu z jednotky.
- 4) Pripevnite interiérovú jednotku v 4 bodoch pomocou dodaných skrutiek do dreva (7) a podložiek (8). Skrutky pevne dotiahnite.



2-5. ZAPOJENIE VODIČOV INTERIÉROVEJ JEDNOTKY

- 1) Odstráňte svorku VA.
- 2) Vyvedte prepojovací vodič interiérovej a exteriérovej jednotky (A) zo zadnej strany interiérovej jednotky a upravte jeho zakončenie.
- 3) Uvoľnite skrutku koncovky a pripojte do svorkovnice najprv uzemňovací vodič a potom prepojovací vodič interiérovej a exteriérovej jednotky (A). Dávajte pozor, aby ste vodiče zapojili správne. Pripojte vodič do svorkovnice pevne a tak, aby žiadna časť jeho žily nebola odhalená a aby sa na pripájací úsek svorkovnice neprenášala žiadna vonkajšia sila.
- 4) Skrutky koncoviek pevne dotiahnite, aby sa neuvolnili. Po dotiahnutí vodiče jemne potiahnite, či sa nepohybujú.
- 5) Zaisťte prepojovací vodič interiérovej a exteriérovej jednotky (A) a uzemňovací vodič pomocou svorky VA. Nikdy nezabudnite pripevniť ľavú časť svorky VA. Svorku VA bezpečne pripevnite.



- Uzemňovací vodič musí byť o niečo dlhší ako ostatné (viac ako 45 mm).
- Pripájacie vodiče nechajte o niečo dlhšie pre potreby servisu v budúcnosti.
- Prebytočný vodič neskladajte ani nenapchávajte do malého priestoru. Dávajte pozor, aby ste vodiče nepoškodili.
- Pri pripájaní kábla a vodičov do svorkovnice dbajte na pripojenie každej skrutky k správnej svorke.

⚠ VÝSTRAHA

Pri inštalácii zariadenia pred spustením kompresora dôkladne spojte chladivové potrubie.

2-6. PRÍPRAVA A INŠTALÁCIA POTRUBÍ

Poznámka: Pozri časť 3. PRIPOJENIE PERTLOVANÉHO SPOJA, PRIPOJENIE POTRUBÍ.

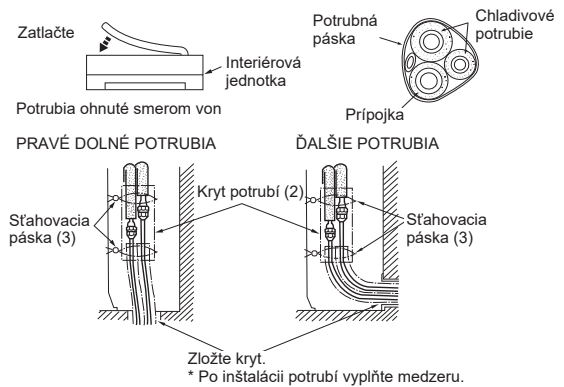
Príprava potrubí

- Vedte odtokovú hadicu diagonálne pod pripájacími potrubiami.
- Dbajte na to, aby odtoková hadica nebola vedená smerom nahor a aby nebola zvlhnená.
- Pri aplikovaní pásky neťahajte za hadicu.
- Vedte potrubia tak, aby neprečnievali za zadnú časť interiérovej jednotky. (Pozrite si obrázok napravo.)

Inštalácia pripájacích potrubí

- Nainštalujte pripájacie potrubia tak, aby bolo možné mierne posunúť potrubia dopredu, dozadu, doľava a doprava.
- Keď je kryt zložený, nezabudnite potrubia zakryť, aby neboli po inštalácii potrubí v miestnosti odkryté žiadne potrubia.
- Po inštalácii potrubí vyplňte medzeru.

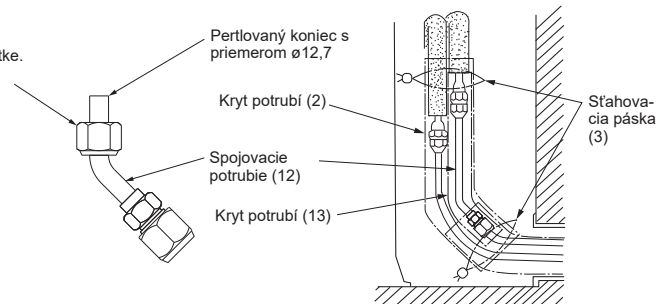
- Izolujte pripájacie potrubia tak, aby sa nedotýkali panela.
- Dávajte pozor, aby ste pripájacie potrubia pri ohýbaní nestačili.



Pre MFZ-KT60

- Použite spojovacie potrubie (12), inak sa predĺžovacie potrubie s priemerom $\varnothing 15,88$ nebude dať upevniť.
- Na spojovacom potrubí (12) vyrobte pertlované ukončenie s priemerom $\varnothing 12,7$ a nasadíte kryt potrubia (13).

Použite prevlečnú maticu pripojenú k jednotke. Dbajte na správne otočenie matic.



PRE ĽAVÉ ALEBO ĽAVÉ ZADNÉ POTRUBIA

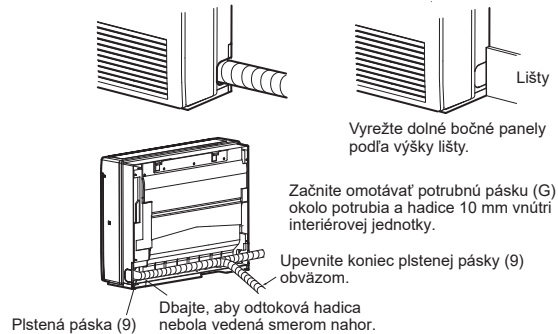
Spojte pripájacie potrubia a odtokovú hadicu dohromady a obalte ich plstenou páskou (9).

Vyrežte a použite dolné bočné panely na ľavej a pravej strane interiérovej jednotky tak, ako je to znázornené nižšie.

Obrúste okraje rezu bočných panelov, aby nepoškodili vrstvu izolácie.

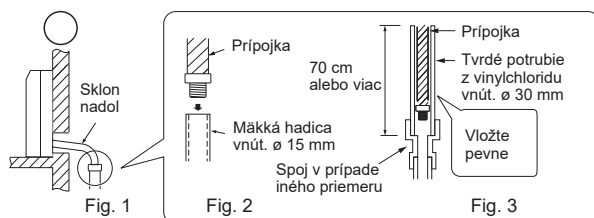
- Pre ľavé alebo pravé potrubie
- Inštalácia k stene pomocou lišty

Tesne obalte potrubia a hadicu plstenou páskou (9). Začnite na mieste, kde potrubia a hadica vychádzajú z interiérovej jednotky. (Šírka presahu plstenej pásky (9) by nemala byť väčšia ako 1/2 šírky pásky.)

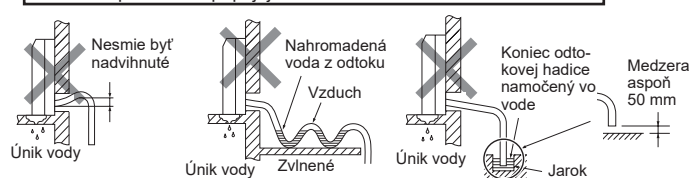


2-7. ODTOKOVÉ POTRUBIE

- Ak musí predĺžená odtoková hadica prechádzať cez miestnosť, dôkladne ju zabalte do bežne dostupnej izolácie.
- Odtoková hadica by mala smerovať nadol pre ľahší odtok. (Fig. 1)
- Ak je odtoková hadica dodaná s interiérovou jednotkou príliš krátka, predĺžte ju odtokovou hadicou (J), ktorú si zabezpečíte sami. (Fig. 2)
- Na utesnenie spojenia medzi odtokovou hadicou a predĺženou odtokovou hadicou výrobku (vnútorný priemer 16 mm) (J) použite pásku alebo iný materiál.
- Pri pripájaní odtokovej hadice k tvrdému potrubiu z vinylchloridu dbajte, aby ste ju pripojili pevne. (Fig. 3)

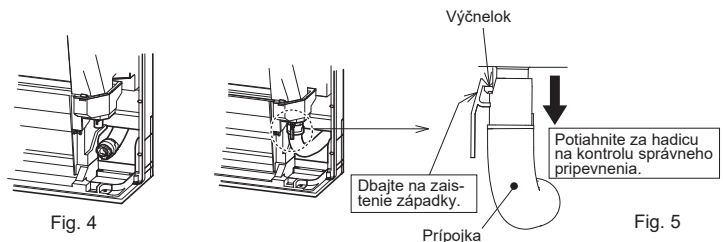


Odtokové potrubie nepripájajte takto.



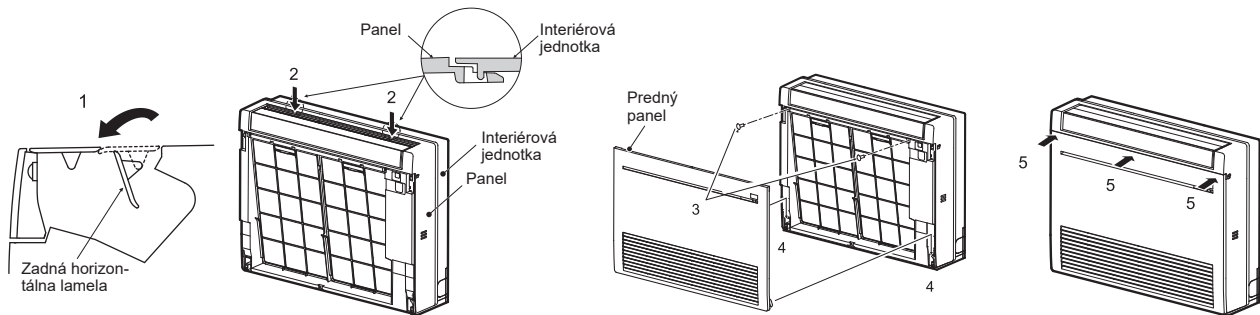
Odtoková hadica sa pri inštalácii odstráni.

- Pri vedení odtokového potrubia dbajte na to, aby bola odtoková hadica (1) vedená podľa vyobrazenia. (Fig. 4)
- Vložte odtokovú hadicu až po dno odtokovej misky (koncové pripojenie). (Fig. 5)
- Dbajte aby bola západka na odtokovej hadici bezpečne zaistená na výstupku na prípojke hadice na odtokovej miske.
- Po pripojení k odtokovej hadici nezabudnite potiahnuť za hadicu na kontrolu, či je bezpečne pripojená.



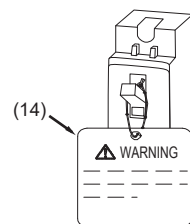
2-8. INŠTALÁCIA PREDNÉHO PANELA

- 1) Otvorte zadnú horizontálnu lamelu.
- 2) Pripevnite panel. Skontrolujte, či sú západky zaistené.
- 3) Pripevnite panel pomocou skrutiek.
- 4) Vložte spodnú časť predného panela.
- 5) Zatlačte 3 body na hornej časti predného panela na jeho zatvorenie.



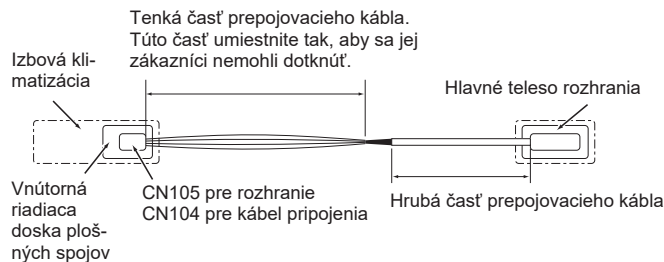
2-9. AKO PRIPEVNÍŠ ŠTÍTKO A VYSVETLENIE

Istič musí byť vždy zapnutý okrem prípadov, kedy sa vykonáva údržba alebo kontrola. Zaveste sprievodný štítok (14) alebo (15) na istič a vysvetlite ho zákazníkom. Keď je istič vypnutý, nedodáva sa napájanie do snímača chladiva nainštalovaného v interiérovej jednotke a nemožno rozpoznať únik chladiva. Poznámka: Keď kabeláž obsahuje samostatné napájanie interiérovej jednotky/exteriérovej jednotky, zaveste sprievodný štítok (14) alebo (15) na istič na strane interiérovej jednotky a vysvetlite ho zákazníkom.



2-10. PRIPOJENIE ROZHRAVIA (VOLITEĽNÉ)/KÁBLA PRIPOJENIA (VOLITEĽNÝ) KU KLIMATIZÁCII

- Pripojte rozhranie/kábel pripojenia k vnútornej riadiacej doske plošných spojov klimatizácie pomocou prepojovacieho kábla.
- Skrátene alebo predĺženie prepojovacieho kábla rozhrania/kábla pripojenia spôsobí chybu pripojenia. Prepojovací kábel neviažte spolu s napájacím káblom, prepojovacím vodičom interiérovej a exteriérovej jednotky ani uzemňovacím vodičom. Zachovajte čo najväčšiu vzdialenosť medzi prepojovacím káblom a týmito vodičmi.
- Tenkú časť prepojovacieho kábla je potrebné uložiť a umiestniť na miesto, kde sa jej zákazníci nemôžu dotknúť.



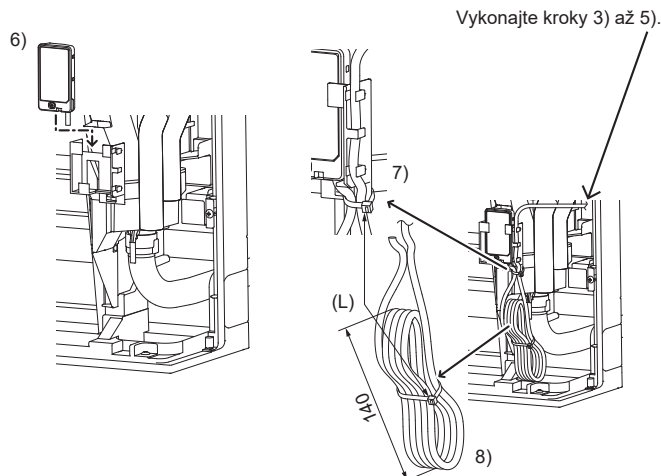
- 1) Demontujte panel.
- 2) Otvorte kryt vnútornej riadiacej dosky plošných spojov.
- 3) Pripojte prepojovací kábel ku kontaktu CN105 alebo CN104 na vnútornej elektronickej riadiacej doske plošných spojov.
- 4) Prevedte prepojovací kábel týmito bodom zobrazeným na obrázku.
- 5) Pripojte káblovú svorku dodanú s rozhraním/káblom pripojenia k hrubej časti prepojovacieho kábla pomocou skrutky 4 × 16 podľa vyobrazenia.
- 6) Zatvorte kryt vnútornej riadiacej dosky plošných spojov. Dávajte pozor, aby ste krytom neprivreli tenkú časť prepojovacieho kábla. Znova nainštalujte panel.



Poznámka:

Pri pripájaní rozhrania Wi-Fi (voliteľná možnosť) nainštalujte toto rozhranie do držiaka podľa obrázku. Upravte dĺžku kábla a zviažte ho, ako je znázornené na obrázku.

- 1) Demontujte panel.
- 2) Otvorte kryt vnútornej riadiacej dosky plošných spojov.
- 3) Pripojte prepojovací kábel ku kontaktu CN105 na vnútornej riadiacej doske plošných spojov.
- 4) Prevlečte prepojovací kábel týmito bodom zobrazeným na obrázku.
- 5) Pripojte káblovú svorku dodanú s rozhraním/káblom pripojenia k hrubej časti prepojovacieho kábla pomocou skrutky 4 × 16 podľa obrázku.
- 6) Osadte rozhranie Wi-Fi do držiaka.
- 7) Umiestnite prepojovací kábel do držiaka a potom ho upevnite pomocou pásky (L).
- 8) Prebytočnú dĺžku kábla zviažte páskou (L). Zvinutá časť musí mať približne 140 mm.
- 9) Zatvorte kryt vnútornej riadiacej dosky plošných spojov. Dávajte pozor, aby ste krytom neprivreli tenkú časť prepojovacieho kábla. Znova nainštalujte panel.



⚠ VÝSTRAHA

Prepojovací kábel bezpečne pripevnite na požadované miesto. Nesprávna inštalácia môže spôsobiť zásah elektrickým prúdom, požiar a/alebo poruchu.

3. PRIPOJENIE PERTLOVANÉHO SPOJA, PRIPOJENIE POTRUBÍ

3-1. PERTLOVANIE

- 1) Medené potrubie správne odrežte rezačkou potrubí. (Fig. 1, 2)
- 2) Z odrezaného prierezu potrubia dôkladne odstráňte všetky ostré hrany. (Fig. 3)
 - Pri odstraňovaní ostrých hrán nastavte koniec medeného potrubia smerom nadol, aby odstrpy nepadali do potrubia.
- 3) Odmontujte prevlečné matice z interiérovej aj exteriérovej jednotky a po odstránení ostrých hrán ich nasadte na potrubie. (Po pertlovaní ich už nie je možné nasadiť.)
- 4) Pertlovanie (Fig. 4, 5). Pevne uchopte medené potrubie s rozmerom podľa tabuľky. Vyberte A mm z tabuľky podľa používaného náradia.
- 5) Kontrola
 - Porovnajte pertlovaný koniec s Fig. 6.
 - Ak je pertlovaný koniec chybný, odrežte ho a vykonajte pertlovanie znova.

Priemer potrubia (mm)	Matica (mm)	A (mm)			Uťahovací moment	
		Pertlovačka so spojku – R32, R410A	Pertlovačka so spojku – R22	Pertlovačka s krídlovými maticami – R22	Nm	kgf/cm
ø6,35 (1/4")	17	0 až 0,5	1,0 až 1,5	1,5 až 2,0	14 až 18	140 až 180
ø9,52 (3/8")	22			2,0 až 2,5	34 až 42	340 až 420
ø12,7 (1/2")	26			-	49 až 61	490 až 610
ø15,88 (5/8")	29			-	68 až 82	680 až 820

3-2. POTRUBNÉ SPOJE

- Upevnite prevlečnú maticu momentovým kľúčom podľa tabuľky.
- Ak prevlečnú maticu dotiahnete príliš, po dlhšej dobe sa môže zlomiť a spôsobiť únik chladiva.
- Nezabudnite potrubie obaliť izoláciou. Priamy kontakt s nezabaleným potrubím môže spôsobiť popálenie alebo omrzliny.

Zapojenie interiérovej jednotky

- Pripojte k interiérovej jednotke kvapalinové aj plynové potrubie.
- Chladiaci olej nenášajte na skrutkové závit. Nadmerný uťahovací moment môže poškodiť skrutku.
 - Pri pripájaní najprv zarovnajte stred a potom ručne dotiahnite prevlečnú maticu o 3 až 4 otáčky.
 - Pri upevňovaní zväzku spojov na strane interiérovej jednotky použite uťahovací moment podľa tabuľky vyššie a dotiahnite pomocou dvoch kľúčov. Nadmerný utiahnutím sa poškodí rozšírená časť.

▲ VÝSTRAHA

V interiéri sa nesmú používať opakovane použiteľné mechanické spojky a pertlované spoje. Ak chladivé potrubie namiesto pertlovania spájujete natvrdo, spájovanie natvrdo vykonajte pred prepojením interiérovej jednotky s exteriérovou.

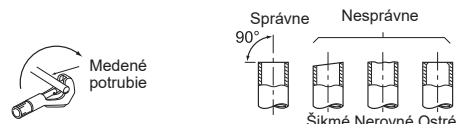


Fig. 1

Fig. 2

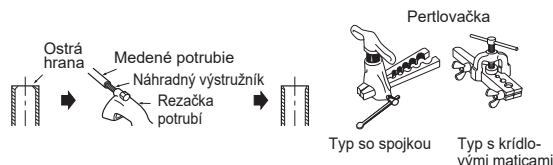


Fig. 3

Fig. 4

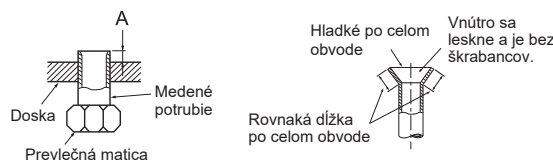
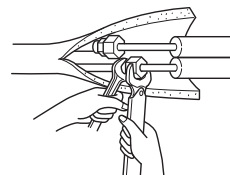


Fig. 5

Fig. 6



▲ VÝSTRAHA

Pri inštalácii zariadenia pred spustením kompresora dôkladne spojte chladivé potrubie.

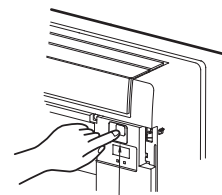
4. SKÚŠOBNÁ PREVÁDZKA

4-1. SKÚŠOBNÁ PREVÁDZKA

Skontrolujte splnenie nasledovných podmienok:

- Panel je nainštalovaný správne.
- Interiérová a exteriérová jednotka je nainštalovaná správne a je zabezpečené napájanie.

- 1) Stlačte spínač E.O. SW. (spínač núdzovej obsluhy) – raz na CHLADENIE a dvakrát na KÚRENIE. Skúšobná prevádzka prebehne za 30 minút. Ak ľavá kontrolka indikátora prevádzky bliká každých 0,5 sekundy, skontrolujte, či je prepojovací vodič interiérovej a exteriérovej jednotky (A) správne zapojený. Po skúšobnej prevádzke sa spustí núdzový režim (nastavená teplota 24 °C).
- 2) Prevádzku zastavíte niekoľkokrát stlačením spínača E.O. SW. (spínač núdzovej obsluhy) tak, aby všetky LED kontrolky zhasli. Podrobnosti nájdete v návode na obsluhu.



Spínač núdzovej obsluhy (E.O. SW.)

Skontrolujte príjem diaľkového (infračerveného) signálu.

- Stlačte tlačidlo ON/OFF (spustenia/tlačidlo zastavenia) na diaľkovom ovládači (10) a skontrolujte, či je z interiérovej jednotky počuť zvuk elektroniky. Znova stlačte tlačidlo ON/OFF (spustenia/tlačidlo zastavenia), čím klimatizáciu vypnete.
- Po zastavení kompresora sa uvedie do činnosti zariadenie na ochranu klimatizácie pred reštartom a kompresor 3 minúty nebude fungovať.

4-2. FUNKCIA AUTOMATICKÉHO REŠTARTU

Tento výrobok je vybavený funkciou automatického reštartu. Keď sa počas prevádzky zastaví prívod energie, napríklad pri výpadku elektriny, táto funkcia po obnovení prívodu energie automaticky obnoví prevádzku s predchádzajúcim nastavením. (Podrobnosti nájdete v návode na obsluhu.)

Upozornenie:

- Po skúšobnej prevádzke alebo kontrole príjmu signálu diaľkového ovládača vypnite zariadenie spínačom E.O. SW. (spínač núdzovej obsluhy) alebo diaľkovým ovládačom, až potom vypnite hlavný vypínač. V opačnom prípade sa zariadenie automaticky spustí pri obnovení prívodu energie.

Pre používateľa

- Po inštalácii jednotky používateľovi dôkladne vysvetlite funkciu automatického reštartu.
- Ak funkcia automatického reštartu nie je potrebná, dá sa deaktivovať. Na deaktiváciu tejto funkcie sa opýtajte servisného zástupcu. Podrobnosti nájdete v servisnom návode.

4-3. VYSVETLENIE PRE POUŽÍVATEĽA

- Pomocou NÁVODU NA OBSLUHU vysvetlite používateľovi, ako klimatizáciu používať (ako používať diaľkový ovládač, ako vybrať vzduchové filtre, ako vybrať alebo vložiť diaľkový ovládač do držáka diaľkového ovládača, postup čistenia, preventívne opatrenia pre prevádzku a pod.).
- Odporúčte používateľovi dôkladne si preštudovať NÁVOD NA OBSLUHU.

5. ODČERPANIE

Pozrite si postupy uvedené v návode na inštaláciu exteriérovej jednotky.

VÝSTRAHA

Keď v chladiacom obvode dochádza k úniku, odčerpávanie nevykonávajte kompresorom. Pri pumpovaní chladiva pred rozpojením chladivového potrubia zastavte kompresor. Ak sa do kompresora dostane vzduch a pod., môže prasknúť.

TARTALOMJEGYZÉK

1. A TELEPÍTÉS MEGKEZDÉSE ELŐTT.....	1
2. A BELTÉRI EGYSÉG FELSZERELÉSE.....	4
3. PEREMCSATLAKOZÓ, CSŐCSATLAKOZÓ.....	8
4. PRÓBAÜZEM.....	8
5. SZIVATTYÚZÁS.....	9

A modellnevek az 1-3. szakaszban találhatóak.





Ez a telepítési kézikönyv csak a beltéri egységre vonatkozik. A kültéri egység beállításáról bővebben a kültéri egység telepítési kézikönyvében olvashat.

A telepítéshez szükséges szerszámok

Phillips csavarhúzó	Peremező szerszám R32, R410A hűtőközeghez
Vízszintmérő	Nyomásmérő R32, R410A feltöltéséhez
Mérleg	Vákuumszivattyú R32, R410A feltöltéshez
Kés vagy olló	Feltöltő tömlő R32, R410A hűtőközeghez
75 mm-es lyukfűrész	Csővágó csőtágítóval
Nyomatékkulcs	Vízpalack
Villáskulcs	0,9-1,0 l víz

1. A TELEPÍTÉS MEGKEZDÉSE ELŐTT

A BELTÉRI ÉS A KÜLTÉRI EGYSÉGEN LÁTHATÓ SZIMBÓLUMOK JELENTÉSE

	FIGYELMEZTETÉS (Tűzveszély)	Az egység gyúlékony hűtőközeget használ. Ha a hűtőközeg szivárog és tüzzel vagy fűtőtesttel kerül kapcsolatba, káros gázok keletkeznek és tűzveszély lép fel.
		Használat előtt gondosan olvassa el a HASZNÁLATI ÚTMUTATÓT.
		A szervizelést végző szakemberek működtetés előtt olvassák el a HASZNÁLATI ÚTMUTATÓT és a TELEPÍTÉSI KÉZIKÖNYVET.
		A HASZNÁLATI ÚTMUTATÓ, a TELEPÍTÉSI KÉZIKÖNYV és a hasonló dokumentumok további információkat is tartalmaznak.

1-1. MINDIG TARTSA BE AZ ALÁBBIKAT A BIZTONSÁG ÉRDEKÉBEN

- Feltétlenül olvassa el a "MINDIG TARTSA BE AZ ALÁBBIKAT A BIZTONSÁG ÉRDEKÉBEN" felsorolást a légkondicionáló telepítése előtt.
- Feltétlenül vegye figyelembe ezeket a figyelmeztetéseket, mert fontosak a biztonság szempontjából.
- A kézikönyvet elolvasás után tegye el a HASZNÁLATI ÚTMUTATÓVAL együtt későbbi használatra.

▲ FIGYELMEZTETÉS (súlyos, akár végzetes sérüléshez stb. vezethet)

- **Ne telepítse az egységet önállóan (felhasználó).**
A nem megfelelő telepítés tüzet, áramütést, az egység leesése miatti sérülést vagy vízszivárgást okozhat. Forduljon a kereskedőhöz, akitől az egységet vásárolta, vagy szakemberhez.
- **Végezze biztonságosan a telepítést a telepítési kézikönyv szerint.**
A nem megfelelő telepítés tüzet, áramütést, az egység leesése miatti sérülést vagy vízszivárgást okozhat.
- **Az egység telepítése során használjon megfelelő védőfelszerelést és szerszámokat.**
Ennek elmulasztása sérülésekhez vezethet.
- **Szerelje az egységet biztonságosan olyan helyre, ami elbírja a tömegét.**
Ha a telepítési hely nem képes megtartani az egység tömegét, az egység leesve sérülést okozhat.
- **Az elektromos munkákat végezze szakképzett villanyszerelő a telepítési kézikönyv szerint. Kösse a berendezést külön áramkörre. Ne működtessen más elektromos berendezést arról az áramkőről.**
Ha az áramkör kapacitása elégtelen vagy nem megfelelő a bekötés, az tüzet vagy áramütést okozhat.
- **Földelje megfelelően az egységet.**
Ne kösse a földelő vezetékét gázcsőre, vízvezeték-re, villámhárítóra vagy telefonhálózati földvezeték-re. A nem megfelelő földelés áramütést okozhat.
- **Ügyeljen rá, hogy a vezetékekre ne nyomódjon alkatrész vagy csavar.**
A sérült vezeték tüzet vagy áramütést okozhat.
- **A beltéri egység áramköri lapjának bekötése vagy a vezetékvezetés előtt feltétlenül áramtalanítsa.**
Ennek elmulasztása áramütéshez vezethet.
- **A beltéri és a kültéri egység összekötéséhez használja a megadott vezetékeket, szilárdan rögzítve az érintkezőblokkba úgy, hogy a bekötött szakaszokra ne hasson húzó terhelés. A vezetékben ne legyen toldás, használjon köztes kötődobozt.**
A nem megfelelő bekötés tüzet okozhat.
- **Ne telepítse olyan helyre a berendezést, ahol gyúlékony gáz szivárog.**
Ha a szivárgó gáz felgyűlik a kültéri egység körül, robbanást okozhat.
- **Ne használjon köztes csatlakozót a tápkábelben vagy hosszabbítót, és ne működtessen sok eszközt egyetlen tápaljzatról.**
Ez hibás érintkezés, szigetelés, túl nagy áramerősség stb. tüzet vagy áramütést okozhat.
- **Feltétlenül a mellékelt vagy előírt alkatrészeket használja a telepítéshez.**
Hibás alkatrészek használata tűz, áramütés, az egység leesése stb. miatt személyi sérülést, vízszivárgást okozhat.
- **A tápkábel csatlakoztatásakor ügyeljen rá, hogy nincs por, akadály vagy laza alkatrész sem a dugasznál, sem az aljzatnál. A dugaszt feltétlenül tolja be ütközésig az aljzatba.**
A dugasznál vagy az aljzatnál található por, akadály vagy laza alkatrész áramütést vagy tüzet okozhat. A dugaszt esetleges laza alkatrészeit cserélje ki.
- **Szerelje fel a beltéri egység elektromos részének fedelét és a kültéri egység szerviznyílásának fedelét biztonságosan.**
Ha nem rögzíti biztonságosan a beltéri egység elektromos részének és kültéri egység szerviznyílásának a fedelét, az tűzhez vagy áramütéshez vezethet a bekerülő por, víz stb. miatt.
- **Az egység telepítése, áthelyezése vagy szervizelése esetén ügyelni kell rá, hogy a megadott hűtőközeget (R32/R410A) kívül semmi ne juthasson be a hűtőközeg körébe.**
Az idegen anyag, például levegő jelenléte rendellenes nyomásnövekedéssel járhat, ami robbanást vagy sérülést okozhat. A nem rendszerhez megadott hűtőközeg használata miatt mechanikai hiba, a rendszer meghibásodása keletkezhet vagy az egység leállhat. A legrosszabb esetben ez súlyos mértékben csökkentheti a termék biztonságát.
- **Ne módosítsa az egységet.**
Az egység módosítása tüzet, áramütést, sérülést vagy vízszivárgást okozhat.
- **Ne engedje ki a hűtőközeget a légkörbe. Ha a hűtőközeg a telepítés során szivárgott, szellőztesse ki a helyiséget. A telepítés befejeztével ellenőrizze, hogy a hűtőközeg nem szivárog.**
Ha a hűtőközeg szivárog, és tüzzel vagy hőszárazó, olajkályha vagy tűzhely fűtőegységével kerül kapcsolatba, káros gázok keletkeznek. Gondoskodjon az EN378-1 szabvány előírásai szerinti szellőzésről.
- **A telepítéshez használjon megfelelő szerszámokat és csövezetéseket.**
Az R32/R410A hűtőközeg nyomása 1,6-szerese a R22 hűtőközegének. A nem megfelelő szerszámok vagy anyagok használata és a nem megfelelő telepítés miatt a csövek szétnyílnak vagy személyi sérülés keletkezhet.
- **Ha a hűtőkörben szivárgás van, ne végezzen leürítést a kompresszorral. A hűtőközeg szivattyúzásánál állítsa le a kompresszort, mielőtt lekötne a hűtőközegcsöveket.**
Ha a hűtőközegcsöveket járó kompresszor és nyitott elzárózelep mellett köti le, levegő kerülhet a rendszerbe és a hűtőkörben rendellenesen magasra szökhet a nyomás. Ettől a csövek szétnyílnak vagy személyi sérülés keletkezhet.
- **A telepítés helyétől függően szereljen fel érintésvédelmi relét.**
Érintésvédelmi relé hiányában a berendezés áramütést is okozhat.
- **Az egység telepítése során a kompresszor elindítása előtt csatlakoztassa biztonságosan a hűtőközegcsöveket.**
Ha a kompresszort a hűtőközegcsövek bekötése előtt és nyitott elzárózelep mellett indítja be, levegő kerülhet a rendszerbe, a hűtőkörben pedig rendellenesen magasra szökhet a nyomás. Ettől a csövek szétnyílnak vagy személyi sérülés keletkezhet.
- **Húzza meg a hollandi anyát nyomatókulccsal a táblázat szerint.**
Túl szorosra húzva a hollandi anya idővel eltérhet a hűtőközeg szivárgását okozva.
- **A készüléket a telepítés helye szerinti ország előírásainak megfelelően kell beszerelni.**
- **Gázgőg vagy más nyílt lángú berendezés használata esetén őrítse le teljesen a hűtőközeget a légkondicionáló rendszerből, és gondoskodjon megfelelő szellőzésről a helyiségben.**
Ha a hűtőközeg szivárog, és tüzzel vagy egy fűtést biztosító alkatrészrel kerül kapcsolatba, káros gázok keletkeznek, és tűzveszély lép fel.
- **Ne alkalmazzon semmilyen más megoldást a kiolvasztási folyamat felgyorsítására vagy a tisztításra, mint amit a gyártó ajánlott.**
- **A berendezést olyan helyiségben kell elhelyezni, ahol nincs folyamatosan működő gyújtóforrás (például: nyílt láng, működő gázkészülék vagy működő elektromos melegítő berendezés).**
- **Ne lyukassa ki vagy égesse el.**
- **Felhívjuk figyelmét, hogy a hűtőközeg nem tartalmaz illanyagot.**
- **A csövezetéseket védeni kell a fizikai károsodástól.**
- **Legyen minél rövidebb a beépített csőhossz.**
- **Be kell tartani a gázokra vonatkozó nemzeti előírásokat.**
- **Minden szükséges szellőzőnyílást akadálymentesen kell tartani.**
- **Tartsa távol a gázgőg berendezéseket, elektromos fűtőberendezéseket és más tűzforrásokat (gyújtóforrásokat) attól a helytől, ahol a beszerelést, javítást és egyéb légkondicionálási munkákat végezni fogják.**
- **A készüléket jól szellőztetett helyiségben kell tárolni, ahol a helyiség mérete megegyezik az üzemeltetéshez előírt helyiségével.**
- **Ne kapcsolja KI a relét, kivéve, ha égés szagát érzi, illetve karbantartás vagy vizsgálat végzésekor.**
A beltéri egységbe rögzített hűtőközeg-érzékelő nem jut tápellátáshoz, és az érzékelő nem képes a hűtőközeg-szivárgás észlelésére. Ez tüzet okozhat.
- **Rögzítse szilárdan a csatlakozókábelt az előírt pozícióban.**
A nem megfelelő telepítés elektromos áramütést, tüzet és/vagy hibás működést okozhat.

- **Végezze biztonságosan a csőszerelési munkákat a telepítési kézikönyv szerint.**
Ha a csőrendszerben hiba keletkezik, víz csepeghet az egységből, elázthatva és károsítva a berendezést.
- **Ne érjen a kültéri egység levegőbemenetéhez, se az alumínium lamellákhoz.**
Ez balesethez vezethet.
- **Viseljen védőfelszerelést, amikor hozzáér a kültéri egység aljához.**
A védőfelszerelés használatának elmulasztása sérüléshez vezethet.
- **Ne olyan helyre szerelje a kültéri egységet, ahol kisállatok élhetnek.**
Ha a kisállatok az egységbe bejutva elektromos alkatrészekhez érnek, az meghibásodást, füstöt, tüzet okozhat. Javasolni kell a felhasználónak azt is, hogy tartsa tisztán az egység körüli területet.
- **Ne működtesse a légkondicionáló berendezést belső építési munkálatok, festés vagy tapétázás, valamint a padló fényesítése során.**
Az ilyen munkálatokat követően szellőztesse jól a helyiséget, mielőtt a légkondicionálót bekapcsolja. Ha ezt elmulasztja, illékony elemek tapadhatnak meg a légkondicionáló berendezés belsejében, ami vízvívárgást vagy pára szórást okozhat.
- **Ne telepítse olyan helyre az egységet, amely megtelhet füsttel, gázzal vagy gyógyszerrel.**
A beltéri egységbe rögzített hűtőközeg-érzékelő reagálhat erre, és hűtőközeg-szivárgási hibát jelezhet.
- **Amikor a relé BE van kapcsolva, ügyeljen a ventilátor forgására.**
Amikor a hűtőközeg-érzékelő hűtőközeg-szivárgást érzékel, a ventilátor automatikusan forogni kezd. Ez balesetet okozhat.
- **Aeroszolos spray használatakor beltéri munkálatokhoz, felületkezeléshez vagy falnyílás tömítéséhez, kapcsolja ki a megszakítót, és biztosítsa a helyiség megfelelő szellőzését. A hűtőközeg-érzékelő reakcióba léphet a sprayben található gázzal, ami hibás érzékeléshez vezethet.**

1-2. A TELEPÍTÉSI HELY KIVÁLASZTÁSA

Ez a kézikönyv csak a beltéri egység telepítését írja le.

A kültéri egység telepítéséhez lásd a kültéri egység telepítési kézikönyvét.

BELTÉRI EGYSÉG

▲ ▲ FIGYELMEZTETÉS

Ezt az egységet olyan helyiségekbe lehet beszerezni, amelyek meghaladják a kültéri egység telepítési kézikönyvében megadott alapterületet.

- Tanulmányozza a kültéri egység telepítési kézikönyvét.

A beltéri egységek telepítésekor az alábbi feltételeknek kell teljesülniük:

- Ahol nem gátolja semmi a légáramlást.
- Ahonnan a hűvös (vagy meleg) levegő a teljes helyiségben szétoszlik.
- Mervev, rezgésektől mentes falra.
- Ahol nincs kitéve közvetlen napfénynek. A kicsomagolás és a használat közötti időszakban se legyen kitéve közvetlen napfénynek.
- Ahonnan könnyű elvezetni a kondenzvizet.
- Legalább 1 m távolságra a tévé- vagy rádiókészüléktől. A légkondicionáló működése zavarja a rádió vagy televízió vételét. Az érintett eszköznél erősítőre lehet szükség.
- Fénycsövektől és izózámpáktól a lehető legmesszebb. Az infravörös távvezérlővel így működtethető megfelelően a légkondicionáló. A lámpák hője deformációt okozhat, az ultraibolya fény pedig állagromlást.
- Ahol a légszűrő eltávolítását és beszerelését nem gátolja semmi.
- Távol más hő- vagy gőzforrásoktól.
- Ne telepítse olyan helyre az egységet, ahol bármilyen gázzal (pl. propán, bután, metán) működő berendezés, a rovarirtóhoz hasonló permetezőberendezés, füstöt képző berendezés, bevonóanyag vagy gyógyszer található, illetve olyan helyre, ahol kénalapú gáz keletkezik.
- A beltéri egységbe rögzített hűtőközeg-érzékelő reagálhat ezekre, és hűtőközeg-szivárgási hibát jelezhet. Ez az egység működésének leállítását eredményezheti.

TÁVVEZÉRLŐ

Az alábbiak a távvezérlő tárolásának előnyös feltételei:

- Ahol könnyű működtetni és jó a rálátás.
- Ahol gyermekek nem érhetik el.
- Válasszon egy helyet kb. 1,2 m magasságban a padló felett, és ellenőrizze, hogy a távvezérlő jeleit a beltéri egység biztonságosan veszi-e ebből a helyzetből (egy vagy két sípszó jelzi a jel vételét).

Megjegyzés:

Inverteres fénycsövel megvilágított helyiségben a vezeték nélküli távvezérlő jelét nem biztos, hogy észleli a beltéri egység.

Megjegyzés:

Kerülje a következő telepítési helyeket, ahol a légkondicionálóval problémák lehetnek.

- Ahol éghető gázok szivároghatnak.
- Ahol túl sok a gépolaj.
- Ahová olaj fröccsenhet vagy ahol olajos füst fordulhat elő (például főzőkonyhák, gyárak, ahol a műanyagok tulajdonságai megváltozhatnak, és az anyaguk károsodhat).
- Sós helyek, például tengerpart.
- Ahol kénes gázok keletkezhetnek, például termálfvízforrás, szennyvízcsatorna, emésztőgödör.
- Ahol nagyfrekvenciás vagy vezeték nélküli készülékek működnek.
- Ahol illékony szerves vegyületek (VOC), például ftalátvegyületek, formaldehid stb. olyan magas szinten kerülhetnek kibocsátásra, hogy az a műanyagok lebomlását okozhatja.
- A készüléket úgy kell tárolni, hogy ne érhesse mechanikai károsodás.

R32 hűtőközeget alkalmazó külső egységhez való csatlakozáskor a beltéri egység telepítését legalább Amin területű vagy annál nagyobb helyiségben hajtsa végre, az M hűtőközegnek megfelelően (gyárilag betöltött hűtőközeg + helyben hozzáadott hűtőközeg). A hűtőközeg-mennyiségekkel, illetve a további hűtőközeg-betöltéssel lásd a kültéri egységet.

M [kg]	Amin [m ²]
1,00	
1,10	
1,20	
1,30	
1,40	
1,50	
1,60	
1,70	
1,80	
1,84	3,63
1,90	3,75
2,00	3,95
2,10	4,15
2,20	4,34
2,30	4,54
2,40	4,74

A hűtőközeg-betöltéssel kapcsolatban lásd a kültéri egység telepítési kézikönyvét.

1-3. MŰSZAKI ADATOK

Modell	Tápellátás *1		Vezeték-előírások *2		Csőméret (vastagság *3, *4, *5, *6)		A szigetelés vastagsága *7, *8
	Névleges feszültség	Frekvencia	Beltéri/kültéri összekötő vezeték	Gáz	Folyadék		
MFZ-KT25VG	230 V	50 Hz	4 magos 2,0 mm ²	ø9,52 mm (0,8 mm)	ø6,35 mm (0,8 mm)	14 mm	
MFZ-KT35VG				ø12,7 mm (0,8 mm)			
MFZ-KT50VG				ø15,88 mm (0,8 mm)			
MFZ-KT60VG							

*1 Olyan kapcsolóra kösse, aminek az érintkezői nyitáskor legalább 3 mm-re eltávolodnak egymástól a fázis megszakításához. (A kapcsolónak kikapcsoláskor az összes fázist meg kell szakítania.)

*2 A 60245 IEC 57 szabványnak megfelelő vezetékeket használjon.

*3 Ne használjon a megadottnál kisebb falvastagságú csöveket. A nyomásnak az kevésbé tud ellenállni.

*4 Használjon rézcsövet vagy varratmentes rézötvezet csövet.

*5 A hajlításkor ügyeljen rá, hogy a cső ne zúdjon össze vagy törjön meg.

*6 A hűtőközegcső hajlítási sugara legalább 100 mm legyen.

*7 Szigetelőanyag: Hőálló műanyag szivacs, 0,045-ös fajsúlyú

*8 Feltétlenül a megadott vastagságú szigetelést használja. A túl vastag szigetelés gátolhatja a beltéri egység megfelelő felszerelését, a vékony pedig könnyezést okozhat.

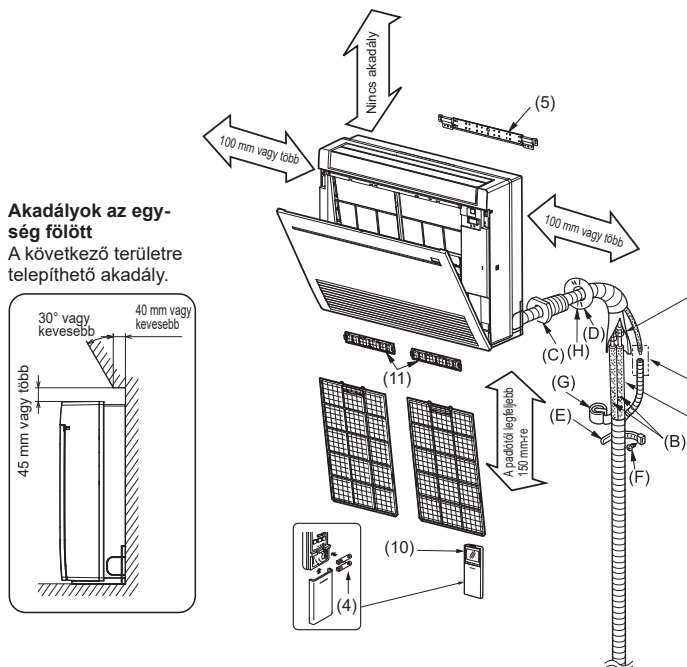
1-4. TELEPÍTÉSI ÁBRA

Kültéri egységek telepítésekor tanulmányozza a kültéri egység telepítési kézikönyvét.

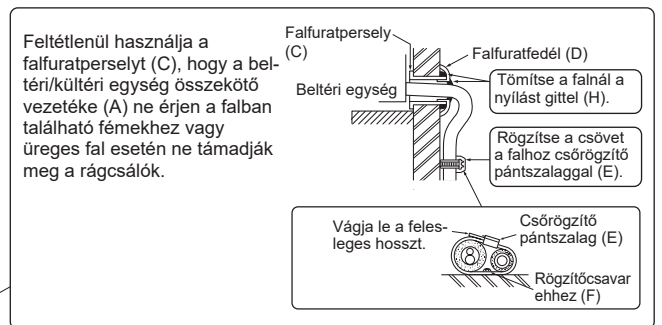
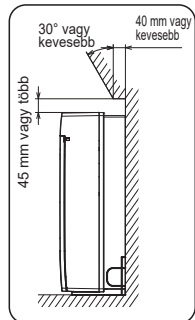
A csővezeték műszaki adatainak táblázatában nem szerepel minimális vezeték hossz.

A 3 m-nél rövidebb csatlakoztatott csővezetékkel rendelkező beltéri egységek azonban nagyon csendes környezetekben a rendszer normál működése közben is időszakosan zajt bocsáthatnak ki.

Kérjük, vegye figyelembe ezt a fontos információt a beltéri egység klimatizálni kívánt helyiségbe történő beszerelése és elhelyezése során.



Akadályok az egység fölött
A következő területre telepíthető akadály.



Feltétlenül használja a falfuratperselyt (C), hogy a beltéri/kültéri egység összekötő vezetéke (A) ne érjen a falban található fémekhez vagy üreges fal esetén ne támaszkodjon meg a rágcsálók.

A szivárgásterítést után vonja be szorosan szigetelőanyaggal hézag nélkül.

Fedje le a csatlakozórészt szigetelőszalaggal a vízszivárgás megelőzése érdekében.

Ha a csővezeték fémeket (ónozott) vagy fémhálót tartalmazó falra kell rögzíteni, helyezzen legalább 20 mm vastag, vegyi kezeléssel ellátott fadarabot a fal és a csővezeték közé, vagy tekerjen a csőre műanyag szigetelőszalagot. Meglévő csövek felhasználásakor a régi légkondicionálót a leszerelése előtt HŰTÉS üzemmódban kell 30 percig járattatni, majd le kell üríteni. A peremezést az új hűtőközeghez méretezve kell átalakítani.

⚠ FIGYELMEZTETÉS

A tűzveszély elkerülése érdekében ágyazza be a hűtőközegcsöveket, vagy gondoskodjon a védelmükről.
A hűtőközegcső károsodása tüzet is okozhat.

Az egységeket kizárólag engedéllyel rendelkező vállalkozó telepítheti a helyi szabályozó rendelkezések szerint.

TARTOZÉKOK

A telepítés megkezdése előtt ellenőrizze a következő alkatrészeket.

(1) Elvezető tömlő*	1
(2) Csőburkolat	1
(3) Szalag	2
(4) Elem (AAA) a következőhöz: (10)	2
(5) Beltéri egység rögzítőkerete	1
(6) Rögzítőcsavar ehhez: (5), 4 × 25 mm	5
(7) Facsavar a beltéri egység rögzítéséhez	4
(8) Alátét a következőhöz: (7)	4
(9) Filcszalag (a bal oldali vagy bal hátsó csőkimenetnél)	1
(10) Vezeték nélküli távvezérlő	1
(11) Levegőtisztító szűrő	2
(12) Csatlakozócső (csak KT60 esetén)	1
(13) A csatlakozócső csőburkolata (csak KT60 esetén)	1
(14) Relécímke	1
(15) Reléinformációk	1

* Megjegyzés:

Az elvezető tömlő csatlakoztatva van az egységhez.

A HELYSZÍNEN BIZTOSÍTANDÓ ALKATRÉSZEK

(A) Beltéri/kültéri egység összekötő vezetéke*	1
(B) Hosszabbító cső	1
(C) Falfuratpersely	1
(D) Falfuratfedél	1
(E) Csörögztő pántszalag	2 – 5
(F) Rögzítőcsavar (E) elemhez, 4 × 20 mm	2 – 5
(G) Csőszalag	1
(H) Gitt	1
(J) Elvezető tömlő (vagy 15 mm belső átmérőjű lágy PVC tömlő, vagy VP16 kemény PVC cső)	1 vagy 2
(K) Tápvezeték*	1
(L) Szalag (csak Wi-Fi interfész csatlakoztatásakor)	2

* Megjegyzés:

A beltéri/kültéri egység összekötő vezetéke (A) és tápkábele (K) esetében legalább 1 m távolságot kell tartani a tévéantenna kábelétől.

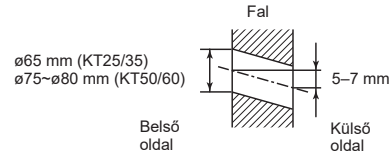
2. A BELTÉRI EGYSÉG FELSZERELÉSE

2-1. A BELTÉRI EGYSÉG RÖGZÍTŐKERETÉNEK RÖGZÍTÉSE

- Ne telepítse a beltéri egységet 150 mm-nél magasabb helyre.
- Keressen egy szerkezeti anyagot (például vágzerendát) a falban, és rögzítse hozzá a keret (5) vízszintesen a rögzítőcsavarokkal (6).
- A keret (5) rezgésének elkerülése érdekében a rögzítőcsavarokat feltétlenül az ábrán jelzett furatokba szerelje. A további megtámasztás érdekében más furatokba is helyezhet rögzítőcsavart.

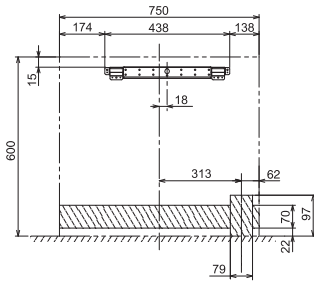
2-2. A FURAT ELKÉSZÍTÉSE

- 1) Határozza meg a falfurat helyét.
- 2) Fúrjon egy 65 mm-es átmérőjű lyukat (75~80 mm a KT50/60 esetén). A furat külső széle legyen 5~7 mm-rel alacsonyabban a belsőnél.
- 3) Helyezze bele a falfuratperselyt (C).

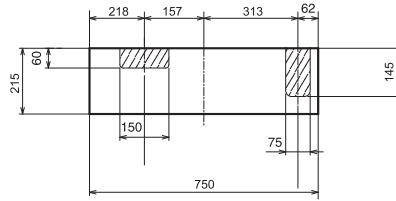


A LYUKAK HELYZETE

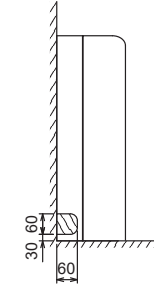
HÁTSÓ VAGY BAL HÁTSÓ CSŐKIMENETNÉL
(Az alábbi ábra a beltéri egység telepítési helyének nézete elölről.)



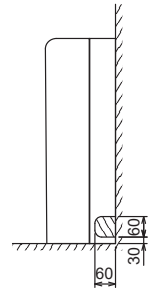
JOBB ALSÓ VAGY BAL ALSÓ CSŐKIMENETNÉL
(Az alábbi ábra a beltéri egység alsó részének nézete fentről.)



BAL OLDALI CSŐKIMENETNÉL



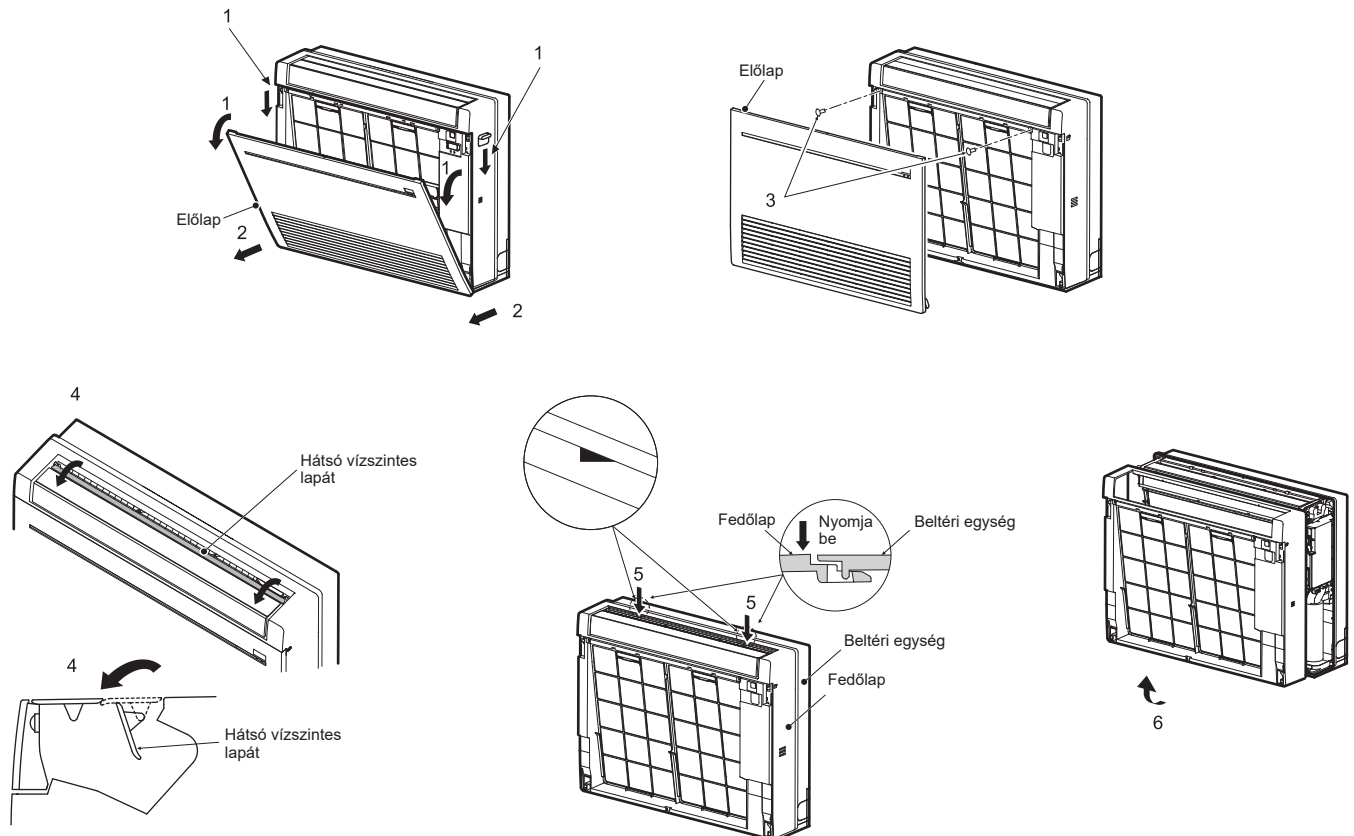
JOBB OLDALI CSŐKIMENETNÉL



2-3. A BELTÉRI EGYSÉG ÜZEMELTETÉSE

Távolítsa el a beltéri egység előlapját.

- 1) Az előlap nyitásához tolja lefelé az egység két oldalán található füleket.
- 2) Az előlap eltávolításához húzza maga felé az előlapot.
- 3) Távolítsa el a 2 csavart.
- 4) Nyissa ki a hátsó vízszintes lapát.
- 5) Nyomja le a fedőlap tetején jelölt 2 helyet, majd húzza a fedőlap felső részét maga felé.
- 6) Emelje fel (kicsit) a fedőlapot, és távolítsa el.



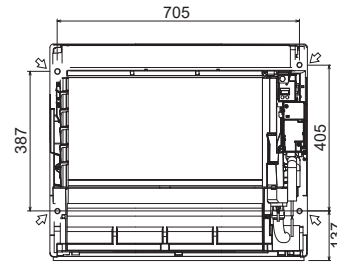
2-4. A BELTÉRI EGYSÉG FELSZERELÉSE

2-4-1. A BELTÉRI EGYSÉG TELEPÍTÉSE A PADLÓRA

- 1) Helyezze a beltéri egységet az egyenes padlóra.
- 2) Rögzítse a beltéri egységet 4 ponton a tartozék facsavarokkal (7) és alátétekkel (8). Szorítsa meg megfelelően a csavarokat.

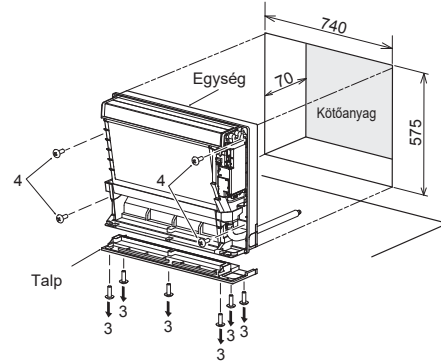
2-4-2. A BELTÉRI EGYSÉG TELEPÍTÉSE A FALRA

- 1) Akassza a beltéri egység tetejét a beltéri egység rögzítőkeretébe (5).
- 2) Rögzítse a beltéri egységet 4 ponton a tartozék facsavarokkal (7) és alátétekkel (8). Szorítsa meg megfelelően a csavarokat.



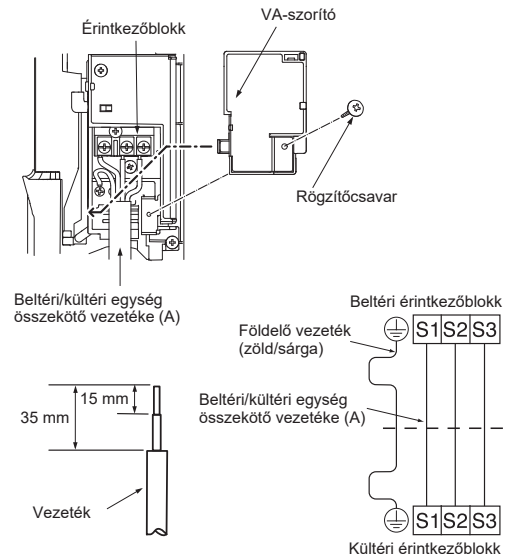
2-4-3. A BELTÉRI EGYSÉG BEÁGYAZÁSA FALBA

- 1) Alakítson ki egy nyílást a falban.
- 2) Kötőanyaggal alakítsa ki a megfelelő mélységet.
- 3) Távolítsa el a talpat az egységhez rögzítő 6 csavart. Távolítsa el a talpat az egységről.
- 4) Rögzítse a beltéri egységet 4 ponton a tartozék facsavarokkal (7) és alátétekkel (8). Szorítsa meg megfelelően a csavarokat.



2-5. A BELTÉRI EGYSÉG VEZETÉKEINEK BEKÖTÉSE

- 1) Távolítsa el a VA-szorítót.
- 2) Fűzze be a beltéri/kültéri egység összekötő vezetékét (A) a beltéri egység hátulja felől, és készítse elő bekötésre a végét.
- 3) Lazítsa meg a csatlakozók csavarjait, és kösse be először a földelő vezetékét, majd a beltéri/kültéri egység összekötő vezetékét (A) az érintkezőblokkba. Ügyeljen a helyes bekötésre. Kösse be biztonságosan úgy a vezetékét az érintkezőblokkba, hogy a fémhuzal ne látszódjon ki és ne érhesse külső erőhatás az érintkezőblokk csatlakozó részét.
- 4) Húzza meg szorosan az érintkezőblokk csavarjait, hogy ne lazulhassanak ki. Ha ezzel végezett, húzogassa meg vezetékét, nem mozdulnak-e meg.
- 5) Biztosítsa a beltéri/kültéri egység összekötő vezetékét (A) és a földelő vezetékét a VA-szorítóval. Ügyeljen rá, hogy a VA-szorító bal szélén a horog beakadjon a helyére. Szerelje fel biztonságosan a VA-szorítót.



- A földelő vezetékét hagyja kicsit hosszabbra a többinél. (Több mint 45 mm)
- A későbbi szervizeléshez hagyja kicsit hosszabbra az összekötő vezetékét.
- Ne hajtsa vissza a felesleges vezetékét, és ne gyűrje be szűk helyre. Ügyeljen a vezeték épségére.
- A vezeték bekötésekor és fizikai rögzítésekor feltétlenül minden csavart a saját helyére szereljen vissza.

▲ FIGYELMEZTETÉS

Az egység telepítése során a kompresszor elindítása előtt csatlakoztassa biztonságosan a hűtőközegcsöveket.

2-6. CSŐFORMÁZÁS ÉS TELEPÍTÉS

Megjegyzés: Lásd: 3. ábra. PEREMCSATLAKOZÓ, CSŐCSATLAKOZÓ.

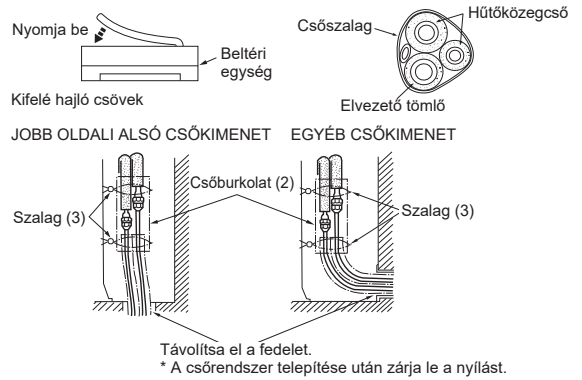
Csőformázás

- Vezesse el az elvezető tömlőt átlósan a csatlakozó csövek alatt.
- Ügyeljen arra, hogy az elvezető tömlőt ne felfelé vezesse el, és a tömlő ne gyűrődjön meg.
- A szalag felragasztásakor ne húzza a tömlőt.
- A csöveket úgy vezesse el, hogy azok ne érjenek túl a beltéri egység hátsó részén. (Lásd a jobb oldali ábrát.)

A csatlakozó csövek telepítése

- Telepítse úgy a csatlakozó csöveket, hogy azok minimális mértékben elmozdulhassanak előre, hátra, balra és jobbra.
- A fedél eltávolításakor ne felejtse el beburkolni a csöveket, hogy a csőrendszer egyetlen része se érintkezzen a helyiséggel a telepítés után.
- A csőrendszer telepítése után zárja le a nyílást.

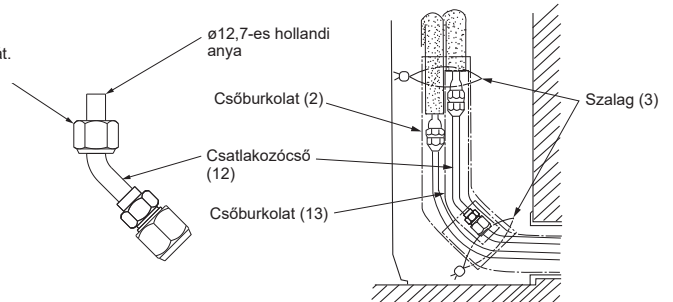
- Ne felejtse el szigetelni a csatlakozó csöveket, hogy azok ne érintkezhesenek a fedéllel.
- Ügyeljen arra, hogy a csövek meghajlításakor ne törje meg azokat.



MFZ-KT60 esetén

- Ne felejtse el használni a csatlakozócsövet (12), mert ennek hiányában a $\varnothing 15,88$ -as hosszabbító cső nem rögzíthető.
- Helyezze a $\varnothing 12,7$ -es hollandi anyát a csatlakozócsőre (12), és csatlakoztassa a csőburkolathoz (13).

Használja az egységhez csatlakoztatott hollandi anyát. Ügyeljen az anyák irányára.



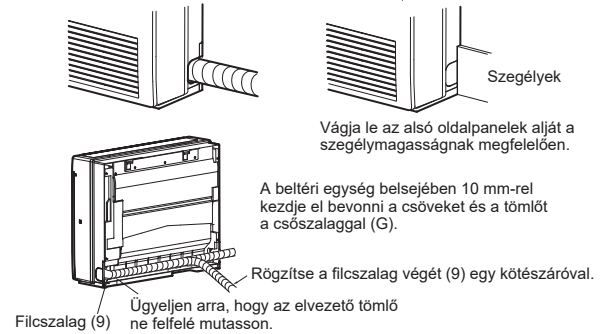
BAL OLDALI VAGY BAL HÁTSÓ CSŐKIMENETNÉL

Fogja össze a csatlakozó csöveket és az elvezető tömlőt, majd burkolja be azokat filcshalaggal (9).

Vágja méretre és használja a beltéri egység bal és jobb oldali alsó oldalpanelét a lenti ábrán látható módon. Simítsa el az oldalpanelek levágott széleit, hogy azok ne tehessenek kárt a szigetelésben.

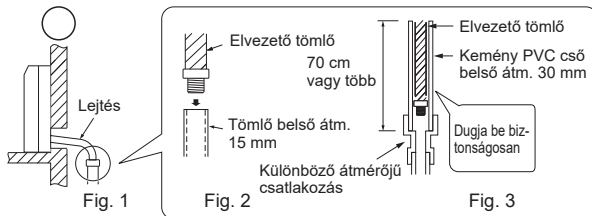
- Bal oldali vagy jobb oldali csőkimenetnél
- Megfelelő telepítés szegélyes falhoz

Tekerje szorosan a filcshalagot (9) a csövekre és a tömlőre attól a szakasztól kezdődően, ahol a csöveket és a tömlőt kivezette a beltéri egységből. (A filcshalag (9) átfedési szélessége ne haladja meg a filcshalag szélességének 1/2.-ét.)

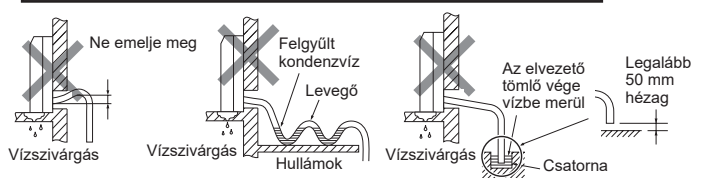


2-7. ELVEZETŐ CSÖVEK

- Ha az elvezető tömlő hosszabbítása áthalad a helyiségen, feltétlenül vonja be külön beszerezhető szigetelőanyaggal.
- Az elvezető tömlőnek az áramlás megkönnyítésére lejténi kell. (Fig. 1)
- Ha a beltéri egységhez mellékelt elvezető tömlő rövid, kösse rá a helyszínen biztosított elvezető tömlőre (J). (Fig. 2)
- Szalaggal vagy más anyaggal tömítse a termék lefolyócsöve és a hosszabbító lefolyócső (16 mm-es belső átmérő) (J) közötti csatlakozást.
- Ha az elvezető tömlőt a kemény PVC csőhöz csatlakoztatja, dugja be biztonságosan a csőbe. (Fig. 3)

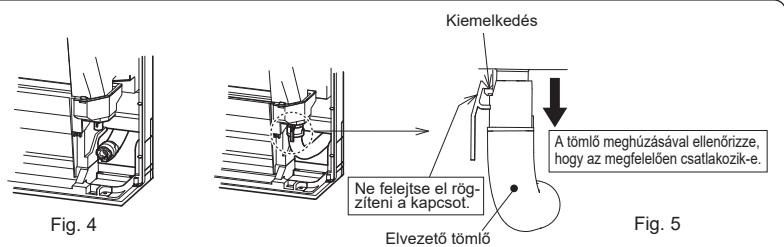


Ne az alábbi módon vezesse az elvezető csövet.



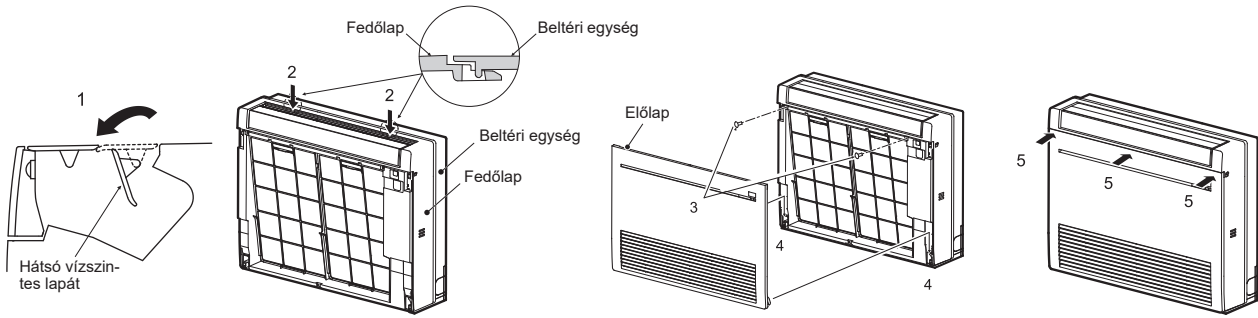
Az elvezető tömlő telepítésnél eltávolításra kerül.

- Az elvezető csövek elvezetésekor ügyeljen arra, hogy az elvezető tömlő elvezetése (1) az ábrának megfelelően történjen. (Fig. 4)
- Illesse az elvezető tömlőt egészen az elvezető tálca talpához (végső csatlakozó). (Fig. 5)
Ügyeljen arra, hogy az elvezető tömlő kapcsa stabilan csatlakozzon az elvezető tálca tömlőcsatlakozójának kiemelkedéséhez.
- Az elvezető tömlő csatlakoztatása után ne felejtse el a tömlő meghúzásával ellenőrizni, hogy a tömlő stabilan csatlakozik-e.



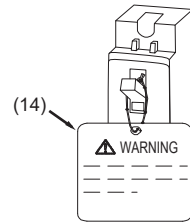
2-8. AZ ELŐLAP TELEPÍTÉSE

- 1) Nyissa ki a hátsó vízszintes lapátot.
- 2) Csatlakoztassa a fedőlapot. Ellenőrizze, hogy rögzítette-e a kapcsokat.
- 3) Rögzítse a fedőlapot csavarokkal.
- 4) Illesse be az előlap alsó részét.
- 5) Az előlap becsukásához nyomja meg a 3 megfelelő helyet az előlap felső részén.



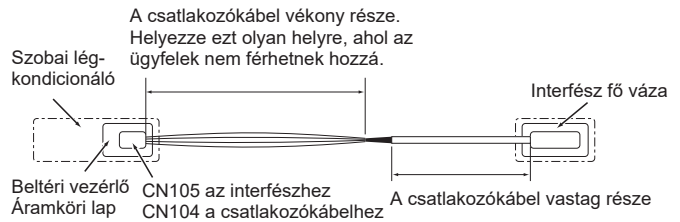
2-9. A CÍMKÉ ÉS A LEÍRÁS RÖGZÍTÉSE

A relé mindig legyen BE kapcsolva, kivéve karbantartás vagy vizsgálat esetén. Akassza a kapott címkét (14) vagy (15) a relére, és magyarázza el az ügyfeleknek. Amikor KI kapcsolja a relét, a beltéri egységbe felszerelt hűtőközeg-érzékelő nem jut tápellátáshoz, és a hűtőközeg-szivárgás nem észlelhető. Megjegyzés: Amikor a beltéri és a kültéri egység tápellátása külön forrásból történik, akassza a kapott címkét (14) vagy (15) a beltéri egység reléjére, és magyarázza el az ügyfeleknek.

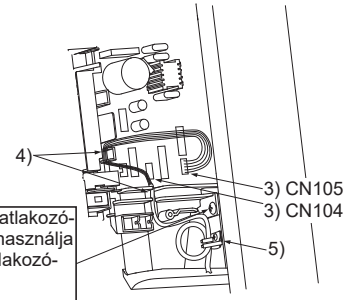


2-10. INTERFÉSZ (opcionális) / csatlakozókábel (opcionális) CSATLAKOZTATÁSA A LÉGKONDITIONÁLÓHOZ

- Az interfész/csatlakozókábel légkondicionáló beltéri áramköri lapjához csatlakoztatásához használjon csatlakozókábelt.
- Az interfész / csatlakozókábel csatlakozókábelének rövidebbre vágása vagy meghosszabbítása csatlakozási hibákhoz vezet. Ne kötegelje össze a csatlakozókábelt a tápkábellel, a kültéri és beltéri egységet csatlakoztató kábellel, illetve a földelő vezetékkel. Ezeket a kábeleket a lehető legnagyobb távolságra helyezze el a csatlakozókábeltől.
- A csatlakozókábel vékony részét olyan helyen kell tárolni és elhelyezni, ahol a vevők nem férhetnek hozzá.



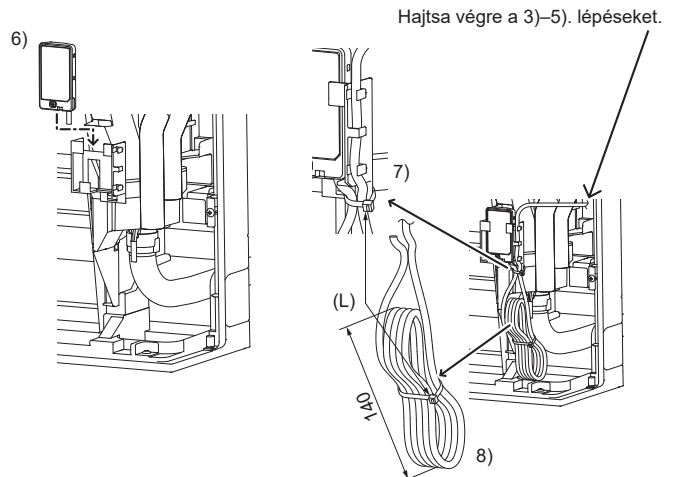
- 1) Távolítsa el a fedőlapot.
- 2) Nyissa fel a beltéri vezérlő áramköri lapjának fedőlapját.
- 3) Csatlakoztassa a csatlakozókábelt a beltéri vezérlőlap CN105 és/vagy CN104 jelzésű aljzatához.
- 4) Vezesse át a csatlakozókábelt az ábrán látható ponton.
- 5) Az ábrán látható módon egy 4 x 16-os csavarral csatlakoztassa az interfészhez/csatlakozókábelhez kapott kábelszorítót a csatlakozókábel vastag részéhez.
- 6) Zárja vissza a beltéri vezérlő áramköri lapjának fedőlapját. Ügyeljen arra, hogy a csatlakozókábel vékony része ne szoruljon a fedőlap és a váz közé. Szerelje fel újra a fedőlapot.



Megjegyzés:

A Wi-Fi interfész (opcionális) csatlakoztatásakor szerelje be az interfészt a tartóba az ábrán látható módon. Állítsa be a kábel hosszát, és kötegelje az ábrán látható módon.

- 1) Távolítsa el a fedőlapot.
- 2) Nyissa fel a beltéri vezérlő áramköri lapjának fedőlapját.
- 3) Csatlakoztassa a csatlakozókábelt a beltéri vezérlőlap CN105 jelzésű aljzatához.
- 4) Vezesse át a csatlakozókábelt az ábrán látható ponton.
- 5) Az ábrán látható módon, egy 4 x 16-os csavarral csatlakoztassa az interfészhez/csatlakozókábelhez kapott kábelszorítót a csatlakozókábel vastag részéhez.
- 6) Helyezze a Wi-Fi interfészt a tartóba.
- 7) Helyezze a csatlakozókábelt a tartóba, majd rögzítse a szalaggal (L).
- 8) Kötegelje a fölösleges kábeleket a szalaggal (L). A feltekert rész méretének körülbelül 140 mm-nek kell lennie.
- 9) Csukja le a beltéri vezérlő áramköri lapjának fedőlapját. Ügyeljen arra, hogy a csatlakozókábel vékony része ne szoruljon a fedőlap és a váz közé. Szerelje fel újra a fedőlapot.



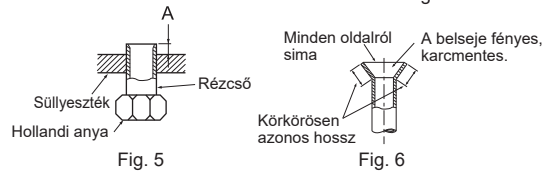
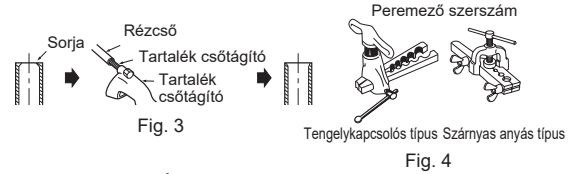
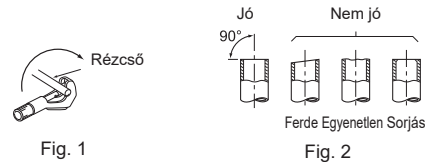
▲ FIGYELMEZTETÉS

Rögzítse szilárdan a csatlakozókábelt az előírt pozícióban. A nem megfelelő telepítés elektromos áramütést, tüzet és/vagy hibás működést okozhat.

3. PEREMCSATLAKOZÓ, CSŐCSATLAKOZÓ

3-1. PEREMEZÉS

- Vágja le méretre csővágóval a rézcsövet. (Fig. 1, 2)
- Sorjázza le teljesen a vágási felületet. (Fig. 3)
 - A rézcső száját tartsa a sorjázáskor lefele, hogy ne kerüljön a csőbe sorja.
- Szerelje le a beltéri és a kültéri egységre szerelt hollandi anyákat, majd helyezze vissza a csőre a sorjázás után. (A peremézést követően már nincs erre lehetőség.)
- Peremezés (Fig. 4, 5). Tartsa meg szilárdan a rézcsövet a táblázatban jelzett méretnél. Válassza ki az A mm értéket a táblázatból a szerszám szerint, amit használ.
- Ellenőrzés
 - Hasonlítsa össze a kész peremet a jelzettel, lásd Fig. 6.
 - Ha a perem láthatóan hibás, vágja le a peremezett részt, és készítse el újra a peremet.



Cső átmérője (mm)	Anyag (mm)	A (mm)			Meghúzási nyomaték	
		Tengelykapcsolós szerszám R32, R410A hűtőközeghez	Tengelykapcsolós szerszám R22 hűtőközeghez	Szárnyas anyás szerszám R22 hűtőközeghez	N*m	kgf*cm
ø6,35 (1/4")	17	0 – 0,5	1,0 – 1,5	1,5 – 2,0	14 – 18	140 – 180
ø9,52 (3/8")	22			34 – 42	340 – 420	
ø12,7 (1/2")	26			2,0 – 2,5	49 – 61	490 – 610
ø15,88 (5/8")	29			-	68 – 82	680 – 820

3-2. CSŐCSATLAKOZTATÁS

- Húzza meg a hollandi anyát nyomatékkulccsal a táblázat szerint.
- Túl szorosra húzva a hollandi anya idővel eltörhet a hűtőközeg szivárgását okozva.
- Feltétlenül szigetelje körbe a csőveket. A csupasz cső megérintése égési vagy fagyási sérülést okozhat.

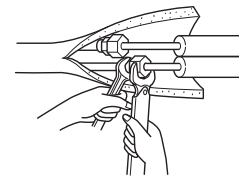
A beltéri egység bekötése

- Kösse be a folyadék- és a gázcsövet a beltéri egységbe.
- A csavarmenetekre ne kerüljön klímaolaj. Túl nagy meghúzási nyomaték esetén a menetek megsérülhetnek.
- Bekötéshez először igazítsa középre, majd szorítsa meg az első 3 - 4 menetnyit kézzel a hollandi anyát.
- A beltéri egység oldalsó csatlakozóinak meghúzásánál alkalmazza a fenti táblázat értékeit, és használjon két kulcsot. A nagy meghúzási nyomaték károsíthatja a peremet.

▲ FIGYELMEZTETÉS

Beltérben tilos újrafelhasználható mechanikus csatlakozókat és peremes csatlakozókat használni.

Ha peremes csatlakozók helyett forrasztással csatlakoztatja a hűtőközegcsőveket, a forrasztási munkálatokat a beltéri és a kültéri egység összekapcsolása előtt el kell végezni.



▲ FIGYELMEZTETÉS

Az egység telepítése során a kompresszor elindítása előtt csatlakoztassa biztonságosan a hűtőközegcsőveket.

4. PRÓBAÜZEM

4-1. PRÓBAÜZEM

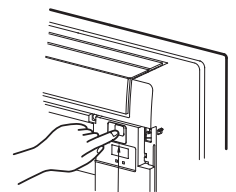
Ellenőrizze a következőket.

- A fedőlap megfelelően van telepítve.
 - A beltéri és a kültéri egység megfelelően van telepítve, és biztosítva van a tápellátás.
- Nyomja meg az E.O. SW (Vészkapcsoló) gombját egyszer HŰTÉS és kétszer FŰTÉS üzemmódra kapcsoláshoz. A próbaüzem 30 percig tart. Ha a működést jelző bal oldali lámpa 0,5 másodpercenként felviláglik, ellenőrizze a beltéri/kültéri egység összekötő vezetékének (A) bekötését. Próbüzem után a rendszer vészüzemmódba kapcsol (24°C fix hőmérsékleten).
 - A leállításhoz nyomja meg többször az E.O. SW (Vészkapcsoló) gombját, amíg az összes LED ki nem alszik. A részletekért lásd a használati útmutatót.

A távvezérlő (infravörös) jelvételének ellenőrzése

Nyomja meg a távvezérlő ON/OFF (Be/Ki) gombját (10), és ellenőrizze, hogy hallható-e elektronikus zaj a beltéri egységből. Nyomja meg újra az ON/OFF (Be/Ki) gombot a légkondicionáló kikapcsolásához.

- Ha a kompresszor leáll, az újraindításgátló eszköz működésbe lép, hogy a kompresszor 3 percig a légkondicionáló védelmében ne indulhasson be.



4-2. AUTOMATIKUS ÚJRAINDÍTÁS FUNKCIÓ

A termék automatikus újraindítás funkcióval rendelkezik. Ha üzem közben megszűnik az áramellátás, például áramszünet lép fel, az áram visszakapcsolásakor a funkció automatikusan az áramszünetet megelőző üzemmódba kapcsolja vissza a rendszert. (A részletekért lásd a használati útmutatót.)

Vigyázat:

- A próbaüzem vagy a távvezérlő jelvételének ellenőrzése után kapcsolja ki az egységet az E.O. SW (Vészkapcsoló) vagy távvezérlő segítségével, mielőtt áramtalanít. Ha nem így tesz, az egység automatikusan működni kezd, amikor visszakapcsolja az áramot.

A felhasználónak

- Az egység telepítését követően feltétlenül el kell magyarázni a felhasználónak az újraindítási funkciót.
- Ha az újraindítási funkcióra nincs szükség, akkor kikapcsolható. A funkció kikapcsolása érdekében szervizelést végző szakemberhez. A részleteket lásd a szervizkézikönyvben.

4-3. MAGYARÁZAT A FELHASZNÁLÓNAK

- Magyarázza el a felhasználónak a HASZNÁLATI ÚTMUTATÓ segítségével a légkondicionáló használatát (a távvezérlő használatát, a légszűrő kiszáradását, a távvezérlő távvezérlőtartóból való eltávolítását és visszahelyezését, a tisztítást, a használati óvintézkedéseket stb.).
- Javasolja a felhasználónak a HASZNÁLATI ÚTMUTATÓ gondos elolvasását.

5. SZIVATTYÚZÁS

Lásd a kültéri egység telepítési kézikönyvében jelzett eljárásokat.

FIGYELMEZTETÉS

Ha a hűtőkörben szivárgás van, ne végezzen leürítést a kompresszorral. A hűtőközeg szivattyúzásánál állítsa le a kompresszort, mielőtt lekötne a hűtőközegcsöveket. A kompresszor felrobbanhat, ha levegő stb. kerül bele.

KAZALO





1. PRIPRAVA NA NAMESTITEV.....	1	Imena modelov so navedena v poglavju 1-3.
2. NAMESTITEV NOTRANJE ENOTE	4	Ta namestitveni priročnik opisuje samo nastavitve notranje enote.
3. SPAJANJE ROBOV, SPAJANJE CEVI	8	Za nastavitve zunanjih enot glejte namestitveni priročnik za zunanje enote.
4. POSKUSNI ZAGON	8	
5. IZPRAZNITEV SISTEMA	9	

Orodje, ki ga potrebujete za namestitev

Križni izvijač	Orodje za spajanje R32, R410A
Libela	Merilni razdelilnik za R32, R410A
Merilo	Podtlačna črpalka za R32, R410A
Nož ali škarje	Polnilna cev za R32, R410A
Kronska žaga, 75 mm	Orodje za rezanje cevi s povrtalom
Momentni ključ	Steklenica za vodo
Ključ (ali napenjalnik)	0,9 do 1,0 l vode

1. PRIPRAVA NA NAMESTITEV

POMEN SIMBOLOV, UPORABLJENIH NA NOTRANJI OZIROMA ZUNANJI ENOTI

	OPOZORILO (Nevarnost požara)	Naprava uporablja vnetljivo hladilno sredstvo. Če hladilno sredstvo pušča in pride v stik s plamenom ali grelnim telesom, začne nastajati strupen plin, hkrati pa obstaja nevarnost požara.
		Preden začnete uporabljati napravo, pazno preberite NAVODILA ZA UPORABO.
		Servisno osebje mora pred uporabo prebrati NAVODILA ZA UPORABO in NAMESTITVENI PRIROČNIK.
		Podrobne informacije najdete v NAVODILIH ZA UPORABO, NAMESTITVENEM PRIROČNIKU in podobnem gradivu.

1-1. ZARADI VARNOSTI MORATE VEDNO UPOŠTEVATI SPODNJE NAPOTKE

- Razdelek »ZARADI VARNOSTI MORATE VEDNO UPOŠTEVATI SPODNJE NAPOTKE« preberite pred nameščanjem klimatske naprave.
- Upoštevajte tukaj navedena opozorila in svarila, saj vključujejo pomembne varnostne napotke.
- Ko preberete ta priročnik, ga shranite skupaj z NAVODILI ZA UPORABO, saj ga boste morda v prihodnje kdaj potrebovali.

⚠ OPOZORILO (Lahko povzroči smrt, hude poškodbe ipd.)

- **Sami ne smete namestiti enote (uporabnik).**
Nepravilna namestitev lahko privede do požara, električnega udara, puščanja vode ali telesnih poškodb, saj enota lahko pade na tla. Posvetujte se s prodajalcem, pri katerem ste kupili napravo, ali usposobljenim serviserjem.
- **Namestitev mora biti izvedena varno in skladno z namestitvenim priročnikom.**
Nepravilna namestitev lahko privede do požara, električnega udara, puščanja vode ali telesnih poškodb, saj enota lahko pade na tla.
- **Zaradi varnosti pri nameščanju naprave uporabljajte zaščitno opremo in ustrezno orodje.**
V nasprotnem primeru lahko pride do poškodb.
- **Napravo namestite tako, da mesto namestitve lahko podpira njeno težo.**
Če mesto namestitve ne podpira teže naprave, lahko ta pade na tla in povzroči telesne poškodbe.
- **Električna dela naj izvede usposobljen električar, ki naj upošteva namestitveni priročnik. Uporabite napeljavo, ki je namenjena izključno napajanju naprave. Na to napeljavo ne priključite drugih električnih naprav.**
Če je dovoljena obremenitev električne napeljave premajhna ali dela niso pravilno izvedena, to lahko privede do požara ali električnega udara.
- **Napravo ustrezno ozemljite.**
Ne priključite ozemljitvenega voda na plinovod, vodovod, strelovod ali telefonski ozemljitveni vod. Nepravilna ozemljitev lahko povzroči električni udar.
- **Pazite, da ne boste preveč stiskali žic z drugimi deli naprave ali vijaki.**
Poškodovane žice lahko privedejo do požara ali električnega udara.
- **Preden odprete notranjo enoto, da bi na njej izvajali dela, oziroma preden izvajate električna dela, izklopite napajanje.**
V nasprotnem primeru lahko pride do električnega udara.
- **Za varno povezavo notranje in zunanje enote uporabite navedeno vrsto žic, ki jih varno pritrđite na kontakte priključne spojke, tako da žice ne bodo zategnjene. Žic ne podaljšujte oziroma jih ne spajajte, da bi jih podaljšali.**
Nepravilna priključitev in pritrđitev žic lahko povzroči požar.
- **Naprave ne namestite v prostoru, kjer bi lahko uhajal vnetljiv plin.**
Če vnetljiv plin uhaja in se nabira v bližini enote, lahko pride do eksplozije.
- **Ne podaljšujte napajalnega kabla s spajanjem žic in ne uporabljajte podaljškov ali razdelilnikov, da bi v eno vtičnico priključili več naprav.**
Zaradi neustreznih spojev, slabe izolacije ali prekoračitve obremenitve lahko pride do požara ali električnega udara.
- **Pri namestitvi uporabite priložene oziroma navedene dele.**
Uporaba neprimernih delov lahko privede do telesnih poškodb ali puščanja vode zaradi požara, električnega udara, padca enote na tla ipd.
- **Pri priključitvi vtičaka v električno vtičnico preverite, da ne v vtičnici in ne na vtičaku ni prahu, umazanije ali zrahljanih delov. Vtičak do konca potisnite v vtičnico.**
Prah, umazanija in zrahljani deli v vtičnici oziroma na vtičaku lahko povzročijo električni udar ali požar. Če so deli vtičaka napajalnega kabla zrahljani, ga zamenjajte.
- **Pravilno namestite zaščitni pokrov električnega priključka notranje enote in servisno loputo zunanje enote.**
Če zaščitni pokrov električnega priključka notranje enote in servisna loputa zunanje enote nista pravilno pritrđeni, to lahko zaradi prisotnosti prahu, vode in drugega povzroči požar ali električni udar.
- **Med nameščanjem, premeščanjem ali servisiranjem enote pazite, da v hladilni tokokrog ne pride nobena druga snov, razen navedenega hladilnega sredstva (R32/R410A).**
Kakršna koli prisotnost drugih snovi, npr. zraka, lahko povzroči neobičajen dvig tlaka in privede do eksplozije ali poškodb. Uporaba drugega hladilnega sredstva, razen posebej določenega za ta sistem, lahko povzroči mehansko okvaro, motnje delovanja sistema ali okvaro enote. V najhujšem primeru lahko to privede do resnega ogrožanja varnosti izdelka.
- **Enote ne spreminjajte.**
To lahko privede do požara, električnega udara, poškodb ali puščanja vode.
- **Hladilnega sredstva ne sproščajte v ozračje. Če med nameščanjem pride do puščanja hladilnega sredstva, prezračite prostor. Ko dokončate nameščanje, preverite, da hladilno sredstvo ne pušča.**
Če hladilno sredstvo pušča in pride v stik s plamenom ali grelnim telesom ventilatorskega grelnika, kerozinskega grelnika ali plinskega gorilnika, začne nastajati strupen plin. Zagotovite prezračevanje po standardu EN378-1.
- **Pri nameščanju uporabljajte ustrezno orodje in cevi za napeljavo.**
R32/R410A zahteva 1,6-krat višji tlak kot R22. Če pri namestitvi ne uporabljate ustreznih orodij in materialov oziroma če namestitev ni pravilno izvedena, lahko cevi počijo, kar lahko povzroči telesne poškodbe.
- **Ko hladilni tokokrog pušča, ne izvedite izčrpanja s kompresorjem. Pri črpanju hladilnega sredstva iz cevododa zaustavite kompresor, preden odklopite cevodod hladilnega sredstva.**
Če cevodod hladilnega sredstva odklopite, dokler kompresor še deluje, in je hkrati zaporni ventil odprt, lahko v hladilni cevodod potegne zrak, zaradi česar se lahko tlak sunkovito dvigne. Cevi lahko počijo, kar lahko povzroči telesne poškodbe.
- **Prekinjevalo uhajavega toka po ozemljitvenem vodu namestite glede na mesto namestitve naprave.**
Če prekinjevalo uhajavega toka po ozemljitvenem vodu ne namestite, lahko pride do električnega udara.
- **Pri nameščanju naprave pravilno priključite cevodod hladilnega sredstva, preden zaženete kompresor.**
Če kompresor vklopite, ko je cevodod hladilnega sredstva priključen in zaporni ventil odprt, lahko v hladilni cevodod potegne zrak, zaradi česar se lahko tlak sunkovito dvigne. Cevi lahko počijo, kar lahko povzroči telesne poškodbe.
- **Matico spojke pritrđite z momentnim ključem, kot je navedeno v tem priročniku.**
Če jo premočno privijete, lahko čez nekaj časa matica spojke počni in povzroči puščanje hladilnega sredstva.
- **Naprava mora biti nameščena skladno z veljavnimi predpisi za električne napeljave.**
- **Če uporabljate plinski gorilnik ali drug aparat z odprtim plamenom, dobro prezračite prostor, da popolnoma odstranite hladilno sredstvo.**
Če hladilno sredstvo pušča in pride v stik s plamenom ali grelnim telesom, začne nastajati strupen plin, hkrati pa obstaja nevarnost požara.
- **Ne uporabljajte drugih sredstev za pospeševanje odmrzovanja ali za čiščenje naprave kot tistih, ki jih priporoča proizvajalec.**
- **Naprava mora biti v prostoru, kjer ni stalno delujočih virov vžiga (npr. odprtega plamena, naprave s plinskim gorilnikom ali električnega grelnika).**
- **Ne predirajte in ne zažigajte naprave.**
- **Upoštevajte, da hladilno sredstvo morda nima vonja.**
- **Cevno napeljavo zaščitite pred fizičnimi poškodbami.**
- **Cevna napeljava naj bo čim krajša.**
- **Upoštevajte predpise, ki veljajo za plinske vode.**
- **Ne zastirajte prezračevalnih odprtín.**
- **Aparatov s plinskimi gorilniki, električnih grelnikov in drugih virov ognja (vžiga) ne postavljajte v bližino mesta, kjer izvajate nameščanje, popravilo ali druga dela na klimatski napravi.**
- **Enota mora biti nameščena v dobro prezračevanem prostoru, ki po velikosti ustreza tehničnim zahtevam za uporabo.**
- **Odklopnika ne IZKLAPLJAJTE, razen v primeru vonja po zažiganem ali v času vzdrževanja ali pregleda.**
Sensor za hladilno sredstvo, nameščen v notranji enoti, ne more biti oskrbovan z električno energijo in iztekanja hladilnega sredstva ne more zaznati. To lahko povzroči požar.
- **Dobro pritrđite povezovalni kabel na predpisanim mestu.**
Napačna namestitev lahko povzroči električni udar, požar in/ali okvaro.

- **Odtočno cev in cevovod med enotami napeljte varno in skladno z namestitvenim priročnikom.**
Če so cevi nepravilno napeljene, lahko iz enote kaplja voda ter zmoči in poškoduje pohištvo.
- **Ne dotikajte se dovoda zraka ali aluminijastih lamel na zunanji enoti.**
To lahko povzroči poškodbe.
- **Ko se dotikate podstavka zunanje enote, nosite zaščitno opremo.**
Če ne nosite zaščitne opreme, se lahko poškodujete.
- **Ne namestite zunanje enote na mesto, kjer običajno živijo drobne živali.**
Če drobne živali vstopijo v enoto ali pridejo v stik z njenimi električnimi deli, to lahko povzroči okvaro, dimljenje ali požar. Uporabniku svetujte tudi, naj redno čisti okolico naprave.
- **Klimatske naprave ne uporabljajte, kadar izvajate notranja gradbena ali zaključna dela in med loščenjem tal.**
Po izvajanju takšnih del najprej temeljito prezračite prostor in šele nato vklopite klimatsko napravo. V nasprotnem primeru se lahko hlapljive snovi prilepijo na notranje dele naprave, kar lahko povzroči puščanje vode ali rošenje.
- **Enote ne nameščajte v prostoru, ki bi se lahko zapolnil z dimom, plinom ali zdravilom.**
Senzor za hladilno sredstvo, nameščen v notranji enoti, se lahko nanj odzove in prikaže napako iztekanja hladilnega sredstva.
- **Ko je odklopnik VKLOPLJEN, bodite pozorni na vrtenje ventilatorja.**
Ko senzor za hladilno sredstvo zazna iztekanje le-tega, se začne ventilator samodejno vrteti. To lahko povzroči poškodbe.
- **Če pri notranji gradnji, zaključnih delih ali zatesnitvi luknje v steni uporabljate kakršne koli aerosolne razpršilce, izklopite odklopnik in prostor dobro prezračite. Senzor hladilnega sredstva lahko namreč reagira na plin v razpršilcih in povzroči napačno zaznavanje.**

1-2. IZBIRA MESTA NAMESTITVE

Ta priročnik opisuje samo namestitev notranje enote.
Pri namestitvi zunanje enote glejte tudi namestitveni priročnik za nameščanje zunanje enote.

NOTRANJA ENOTA

⚠ ⚠ OPOZORILO

Ta enota mora biti nameščena v prostoru s površino, ki presega vrednost, ki je navedena v namestitvenem priročniku za zunanje enote.

- Glejte namestitveni priročnik za zunanje enote.

Pri namestitvi notranjih enot morajo biti izpolnjeni naslednji pogoji:

- Mesto, kjer bo pretok zraka neoviran.
- Na mesto, od koder bo hladen (ali topel) zrak pihal po celem prostoru.
- Na tog zid, ki ni izpostavljen tresljajem.
- Na mesto, kjer ne bo izpostavljena neposredni sončni svetlobi. Naprave ne izpostavljajte neposredni sončni svetlobi tudi v času od trenutka, ko odstranite embalažo, in do trenutka namestitve.
- Kjer bo mogoče preprosto napeljati odtočno cev.
- Na razdaljo najmanj 1 m stran od televizijskega oziroma radijskega sprejemnika. Delovanje klimatske naprave lahko moti delovanje radijskega ali televizijskega sprejemnika. Morda bo treba namestiti ojačevalnik signala za napravo, katere delovanje je moteno.
- Na mesto, ki je čim bolj oddaljeno od fluorescentnih luči in luči z žarnico z žarilno nitko. Te lahko motijo pravilno upravljanje klimatske naprave z daljinskim upravljalnikom. Toplota, ki jo oddajajo luči, lahko povzroči deformacije, ultravijolična svetloba pa lahko poslabša stanje materiala.
- Na mesto, ki omogoča preprosto odstranjevanje in menjavo filtra.
- Čim bolj stran od drugih virov toplote ali pare.
- Enote ne nameščajte v okolju, kjer se uporabljajo plinske naprave za propan, butan ali metan, razpršila proti mrčesu, naprave, ki proizvajajo dim, materiali s premazi in zdravila, ali v prostor, kjer nastajajo plini na osnovi žvepla.
- Senzor za hladilno sredstvo, nameščen v notranji enoti, se lahko nanje odzove in prikaže napako iztekanja hladilnega sredstva. To lahko povzroči nedelovanje enote.

Če izdelek priključujete na zunanjo enoto, ki uporablja hladilno sredstvo R32, notranjo enoto namestite v prostor s tlorisno površino Amin ali več, kar ustreza hladilnemu sredstvu M (tovarniško napolnjeno hladilno sredstvo + lokalno dodano hladilno sredstvo). Za količino hladilnega sredstva in dodatno polnjenje hladilnega sredstva glejte navodila za zunanjo enoto.

M [kg]	Amin [m ²]
1,00	
1,10	
1,20	
1,30	
1,40	
1,50	
1,60	
1,70	
1,80	
1,84	3,63
1,90	3,75
2,00	3,95
2,10	4,15
2,20	4,34
2,30	4,54
2,40	4,74

Za polnjenje s hladilnim sredstvom glejte navodila za namestitev zunanje enote.

DALJINSKI UPRAVLJALNIK

Priporočamo naslednje pogoje za shranjevanje daljinskega upravljalnika:

- Na dobro vidno in lahko dostopno mesto.
- Zunaj dosega otrok.
- Izberite položaj, ki je približno 1,2 m nad tlemi, preverite, ali notranja enota normalno prejema signale, poslane s tega mesta (ob sprejemu enota enkrat ali dvakrat zapiska).

Opomba:

V prostorih, kjer se uporabljajo inverterske fluorescentne svetilke, notranja enota morda ne bo prejela signala iz daljinskega upravljalnika.

Opomba:

Klimatske naprave ne namestite na spodnjih mestih, saj lahko pride do težav pri delovanju.

- V prostoru, kjer bi lahko uhajal vnetljiv plin.
- V prostoru, kjer je veliko strojnega olja.
- Kjer je razlito olje ali je ozračje nasičeno z oljnim dimom (kot so kuhinje in tovarne, saj to lahko spremeni in poškoduje plastične materiale).
- V okoljih, kjer je zrak slan, npr. v obmorskih krajih.
- V prisotnosti žveplovih plinov, kot so termalni kraji, na mestih, kjer je prisotna kanalizacija ali odpadne vode.
- V bližini visokofrekvenčnih ali brezžičnih naprav.
- Kjer so prisotne emisije hlapnih organskih spojin, vključno s ftalati, formaldehidom ipd., ki lahko povzročijo kemijsko razkrajanje.
- Naprava mora biti shranjena tako, da je zaščitena pred mehanskimi poškodbami.

1-3. TEHNIČNI PODATKI

Model	Napajanje *1		Tehnični podatki kablov *2	Velikost cevi (debelina *3, *4, *5, *6)		Debelina izolacije *7, *8
	Nazivna napetost	Frekvenca	Kabel za povezavo notranje in zunanje enote	Plin	Tekočina	
MFZ-KT25VG	230 V	50 Hz	4-žilni 2,0 mm ²	ø9,52 mm (0,8 mm)	ø6,35 mm (0,8 mm)	14 mm
MFZ-KT35VG				ø12,7 mm (0,8 mm)		
MFZ-KT50VG				ø15,88 mm (0,8 mm)		
MFZ-KT60VG						

*1 Za prekinitev faze napajanja napeljavo priključite na stikalo napajanja z razmikom 3 mm ali več v položaju prekinjenega tokokroga. (Ko izklopite stikalo napajanja, mora prekiniti vse faze.)

*2 Uporabljajte kable, ki so skladni s standardom IEC 60245 57.

*3 Ne uporabljajte tanjših cevi od navedenih. Tlačna upornost bo premajhna.

*4 Uporabite bakrene cevi ali cevi iz bakrene zlitine brez zvarov.

*5 Ko ukrivljate cevi, pazite, da jih ne zlomite ali preognete.

*6 Polmer ukrivljanja cevi mora biti 100 mm ali več.

*7 Izolacijski material: toplotno odporen penast trak iz umetne snovi s specifično gostoto 0,045.

*8 Obvezno uporabite izolacijo, ki po debelini ustreza navedeni. Večja debelina lahko povzroči nepravilno delovanje notranje enote, manjša pa kapljanje kondenzirane vode.

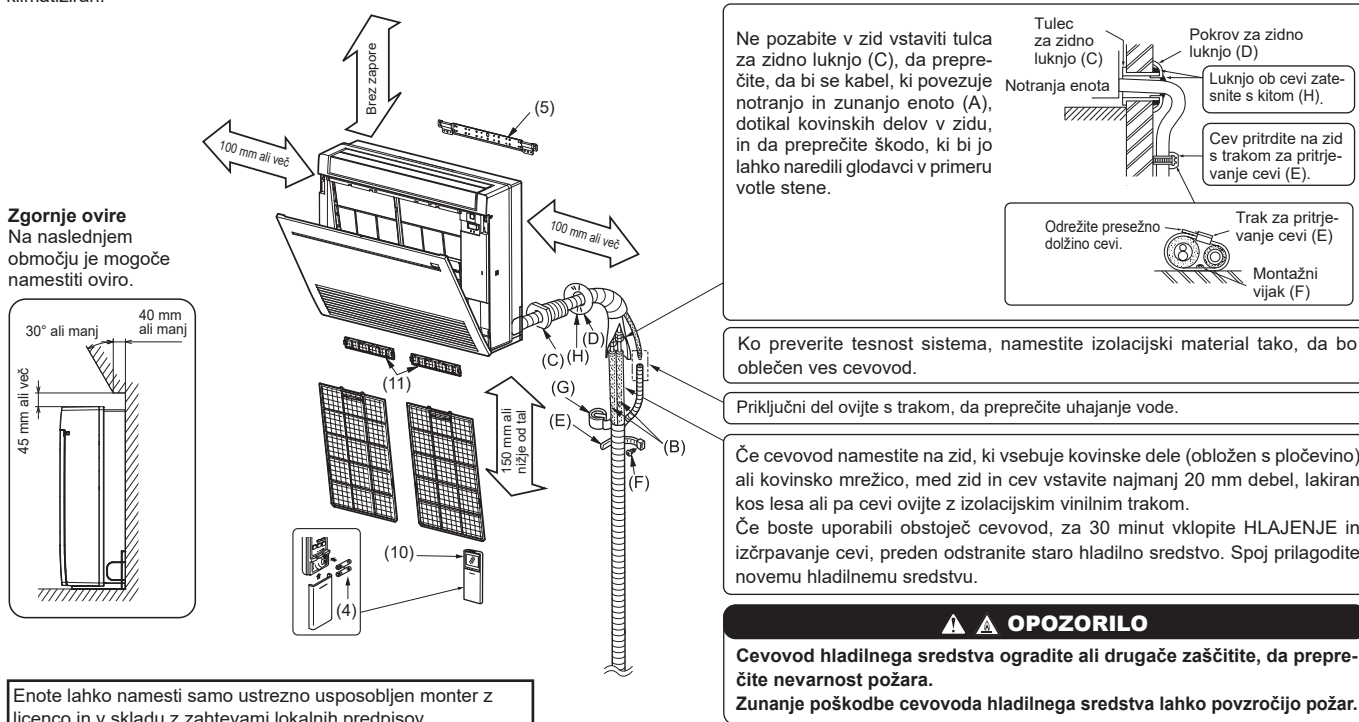
1-4. SHEMA NAMESTITVE

Pri namestitvi zunanjih enot glejte namestitveni priročnik za zunanje enote.

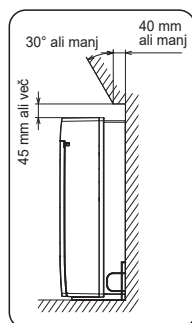
V razpredelnici s tehničnimi podatki cevnih napeljav ni navedena najkrajša dolžina kompleta cevvodov.

Notranje enote s cevno napeljavo, krajšo od 3 m, lahko občasno med normalnim delovanjem oddajajo hrup, ki je slišen v zelo tišem okolju.

To upoštevajte pri nameščanju in postavitvi notranje enote v prostor, ki bo klimatiziran.



Zgornje ovire
Na naslednjem območju je mogoče namestiti oviro.



Enote lahko namesti samo ustrezno usposobljen monter z licenco in v skladu z zahtevami lokalnih predpisov.

DODATNA OPREMA

Pred nameščanjem preverite spodnje dele.

(1) Odočna cev*	1
(2) Pokrov cevi	1
(3) Trak	2
(4) Baterija (AAA) za (10)	2
(5) Montažni nosilec za notranjo enoto	1
(6) Montažni vijak za (5) 4 × 25 mm	5
(7) Leseni vijak za pritrditev notranje enote	4
(8) Podložka za (7)	4
(9) Izolacijski trak iz filca (za levi ali zadnji levi cevvod)	1
(10) Brezžični daljinski upravljalnik	1
(11) Filter za čiščenje zraka	2
(12) Spojna cev (samo KT60)	1
(13) Ovoj za spojno cev (samo KT60)	1
(14) Etiketa za odklopnik	1
(15) Obvestilo za odklopnik	1

* Opomba:

Odočna cev je priključena na enoto.

DELI, KI JIH MORATE ZAGOTOVITI SAMI

(A) Žica za povezavo zunanje in notranje enote*	1
(B) Podaljšek cevi	1
(C) Tulec za zidno luknjo	1
(D) Pokrov za zidno luknjo	1
(E) Trak za pritrdjevanje cevi	od 2 do 5
(F) Montažni vijak za (E) 4 × 20 mm	od 2 do 5
(G) Ovojni trak za cevi	1
(H) Kit	1
(J) Odočna cev (ali mehka PVC-cev z notranjim prem. 15 mm ali trda PVC-cev VP16)	1 ali 2
(K) Napajalni kabel*	1
(L) Frekvenčno območje (samo za povezavo prek vmesnika Wi-Fi)	2

* Opomba:

Kabel za povezavo notranje in zunanje enote (A) in napajalni kabel (K) napeljite vsaj 1 m od kabla televizijske antene.

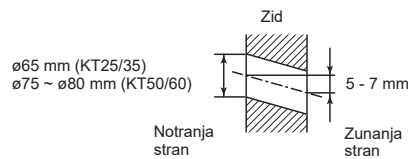
2. NAMESTITEV NOTRANJE ENOTE

2-1. PRITRDITEV MONTAŽNEGA NOSILCA NOTRANJE ENOTE

- Notranje enote ne nameščajte na mesto, višje od 150 mm.
- Nosilec (5) postavite na konstrukcijski element v zidu in ga pritrдите v vodoravnem položaju s pritrđilnimi vijaki (6).
- Pritrdilne vijake privijte v luknje, ki so prikazane na sliki, da preprečite vibriranje nosilca (5). Za bolj zanesljivo pritrđitev lahko vijake privijete tudi v druge luknje.

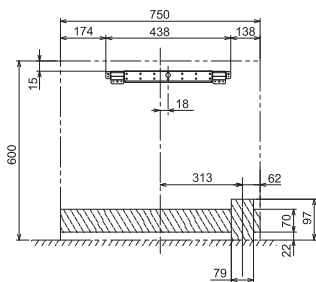
2-2. VRTANJE LUKNJE

- 1) Določite položaj zidne luknje.
- 2) Izvrtajte luknjo premera 65 mm (premer 75 ~ 80 mm za KT50/60). Zunanja luknja mora biti od 5 do 7 mm niže od notranje.
- 3) Vstavite tulec za zidno luknjo (C).

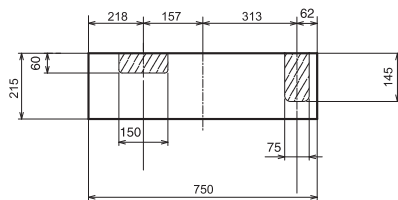


POLOŽAJI LUKENJ

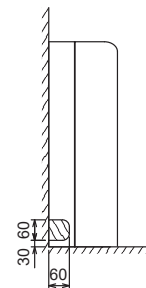
ZA ZADNJI ALI ZADNJI LEVI CEVOVOD
(Naslednja slika prikazuje pogled položaja namestitve notranje enote od spredaj.)



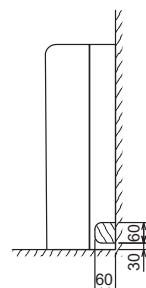
ZA CEVOVOD, USMERJEN DESNO NAVZDOL ALI LEVO NAVZDOL
(Naslednja slika prikazuje pogled spodnjega dela notranje enote od zgoraj.)



ZA LEVI CEVOVOD



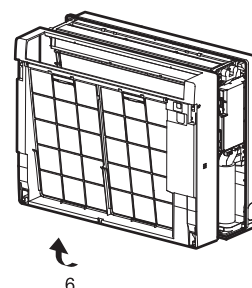
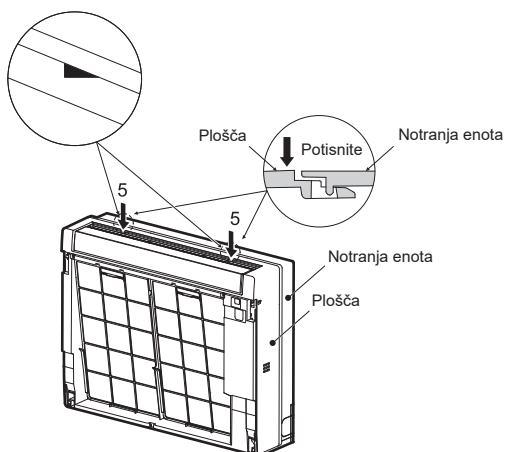
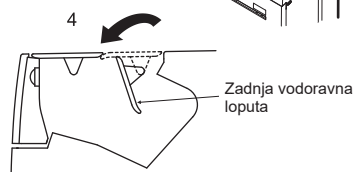
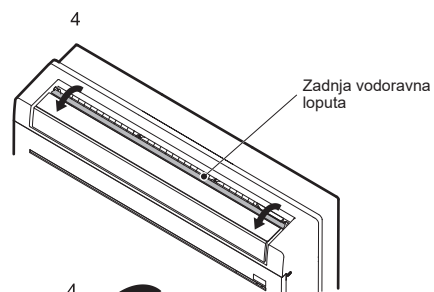
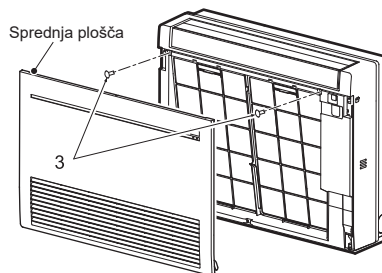
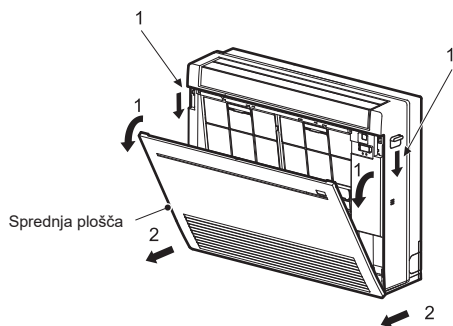
ZA DESNI CEVOVOD



2-3. PRIPRAVA NOTRANJE ENOTE

Z notranje enote odstranite sprednjo ploščo.

- 1) Pritisnite zavihek na obeh straneh enote navzdol, da odprete sprednjo ploščo.
- 2) Povlecite sprednjo ploščo k sebi, da jo odstranite.
- 3) Odstranite 2 vijaka.
- 4) Odprite zadnjo vodoravno loputo.
- 5) Pritisnite 2 mesti na vrhu plošče in nato zgornji del plošče povlecite k sebi.
- 6) Odstranite ploščo med (rahlim) dviganjem navzgor.



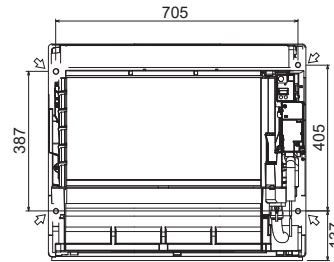
2-4. NAMESTITEV NOTRANJE ENOTE

2-4-1. NAMESTITEV NOTRANJE ENOTE NA TLA

- 1) Postavite notranjo enoto na ravna tla.
- 2) Notranjo enoto pritrдите na 4 točkah s priloženimi lesenimi vijaki (7) in podložkami (8). Varno privijte vijake.

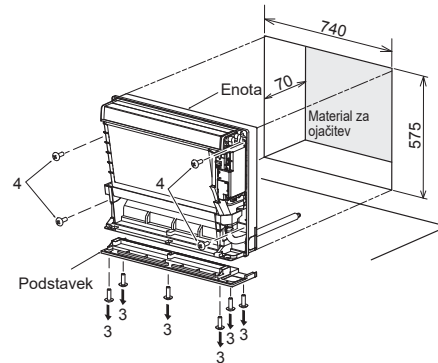
2-4-2. NAMESTITEV NOTRANJE ENOTE NA STENO

- 1) Zgornji del notranje enote zatakните na montažni nosilec za notranjo enoto (5).
- 2) Notranjo enoto pritrдите na 4 točkah s priloženimi lesenimi vijaki (7) in podložkami (8). Varno privijte vijake.



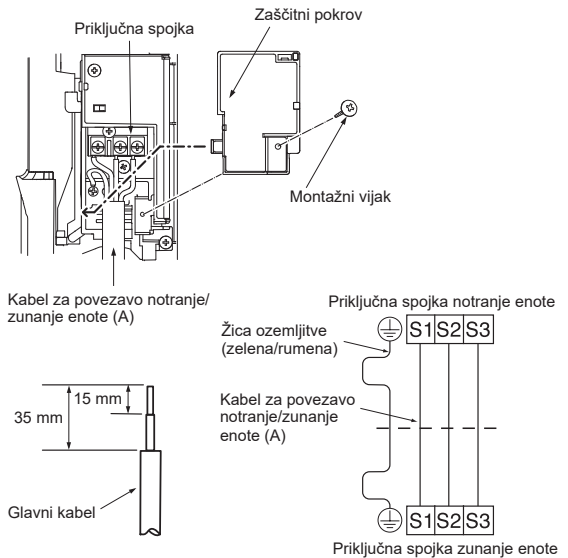
2-4-3. VSTAVLJANJE NOTRANJE ENOTE V STENO

- 1) V steno izvrtajte luknjo.
- 2) Z uporabo materiala za ojačitev nastavite globino.
- 3) Odstranite 6 vijakov, s katerimi je podstavek pritrjen na enoto. Odstranite podstavek z enote.
- 4) Notranjo enoto pritrдите na 4 točkah s priloženimi lesenimi vijaki (7) in podložkami (8). Varno privijte vijake.



2-5. PRIKLJUČITEV ŽIC NOTRANJE ENOTE

- 1) Odstranite zaščitni pokrov.
- 2) Kabel za povezavo notranje/zunanje enote (A) napeljite s hrbtne strani notranje enote in pripravite konec kabla.
- 3) Odvijte vijake priključne spojke in na priključno spojko najprej priključite ozemljitev, nato pa kabel za povezavo notranje/zunanje enote (A). Pazite, da žic ne boste narobe priključili. Žice pravilno privijte na priključno spojko, tako da ne bo noben del žice izpostavljen, pri čemer pazite, da na priključno spojko ne pritiskate s premočno silo.
- 4) Čvrsto privijte vijake priključne spojke, da preprečite, da bi se zrahljali. Po privijanju rahlo povlecite žice, da preverite, ali so pravilno pritrjene.
- 5) Kabel za povezavo notranje in zunanje enote (A) in ozemljitveno žico pritrдите z zaščitnim pokrovom. Vedno pravilno zatakните levo ušesce zaščitnega pokrova. Čvrsto privijte zaščitni pokrov.



- Žica ozemljitve naj bo malo daljša od drugih. (Več kot 45 mm)
- Povezovalni kabli naj imajo malo dodatne dolžine za prihodnje servisne posege.
- Presežnega kabla ne prepogibajte in ga ne poskušajte potlačiti v premajhen prostor. Pazite, da ne poškodujete žic.
- Pri priključitvi kabla oziroma žic na priključno spojko vsakega od vijakov pravilno privijte na priključek.

⚠ OPOZORILO

Pri nameščanju enote pravilno priključite cevovod hladilnega sredstva, preden zaženete kompresor.

SL

2-6. CEVNA NAPELJAVA IN NAMESTITEV

Opomba: Glejte točko 3. SPAJANJE ROBOV, SPAJANJE CEVI.

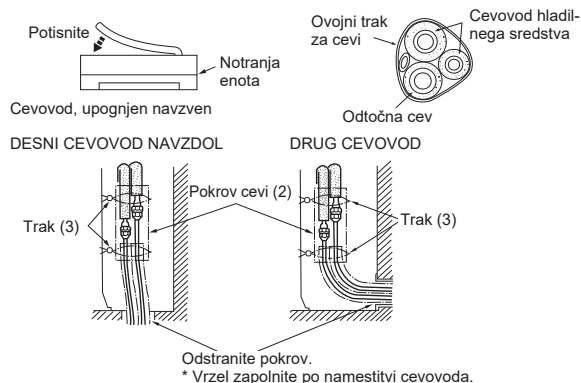
Cevna napeljava

- Odtočno cev napeljite diagonalno pod spojne cevi.
- Prepričajte se, da odtočna cev ni usmerjena navzgor in da v njej ni valovanja.
- Ne vlecite za cev, ko nameščate trak.
- Cevi napeljite tako, da ne segajo čez zadnjo stran notranje enote. (Glejte sliko na desni.)

Namestitev spojne cevi

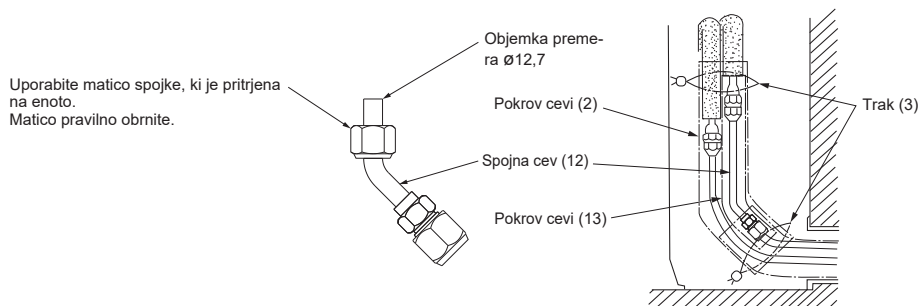
- Spojne cevi namestite tako, da se lahko cevod rahlo premakne naprej, nazaj, v levo in v desno.
- Ko je pokrov odstranjen, poskrbite, da pokrijete cevi, da cevod po namestitvi ni izpostavljen prostoru.
- Vrzel zapolnite po namestitvi cevodov.

- Poskrbite, da spojene cevi izolirate, da ne bodo v stiku s ploščo.
- Ko spojene cevi upogibate, pazite, da jih ne polomite.



Za MFZ-KT60

- Obvezno uporabite spojno cev (12), saj v nasprotnem primeru cevi s premerom $\varnothing 15,88$ ne bo mogoče pritrčiti.
- Spojno cev (12) pritrčite z objemko s $\varnothing 12,7$ in namestite ovaj za cev (13).



ZA LEVI ALI ZADNJI LEVI CEVOVOD

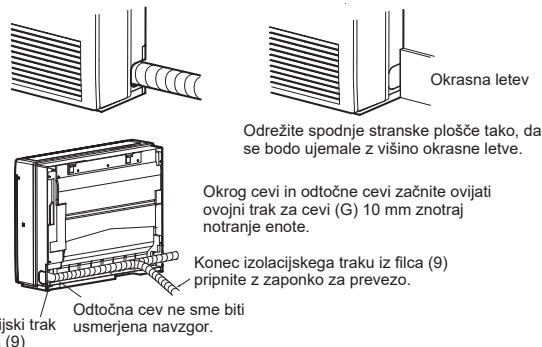
Spojene cevi in odtočno cev povežite skupaj in jih ovijte v izolacijski trak iz filca (9).

Odrežite in uporabite spodnje stranske plošče na levi in desni strani notranje enote, kot je prikazano spodaj.

Zgladite odrezane robove stranskih plošč tako, da ne bodo poškodovali izolacijske prevleke.

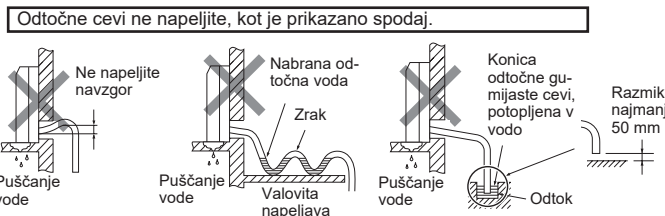
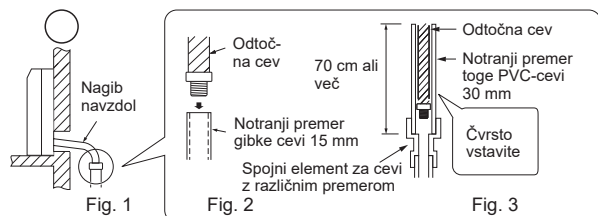
- Za levi ali desni cevod
- Namestitev, poravnana s steno in okrasno letvijo

Izolacijski trak iz filca (9) ovijte tesno okrog cevi in gumijaste cevi tako, da začnete ovijati blizu mesta, kjer so cevi in gumijasta cev speljane iz notranje enote. (Širina prekrivanja izolacijskega traku iz filca (9) ne sme biti večja od 1/2 širine traku.)



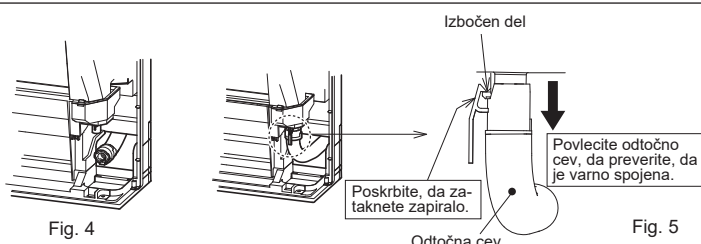
2-7. ODTOČNI CEVOVOD

- Če morate podaljšek odtočne cevi napeljati čez sobo, ga ovijte z izolacijo, ki je na voljo v prosti prodaji.
- Odtočna cev mora biti zaradi lažjega odtekanja usmerjena navzdol. (Fig. 1)
- Če je odtočna cev, ki je priložena notranji enoti, prekratka, jo podaljšajte z odtočno cevjo (J), ki si jo priskrbite sami. (Fig. 2)
- S trakom ali drugim materialom zatesnite spoj med odtočno cevjo in podaljševalno odtočno cevjo (notranji premer 16 mm) (J).
- Če odtočno cev priključite na togo PVC-cev, jo čvrsto potisnite v togo cev. (Fig. 3)



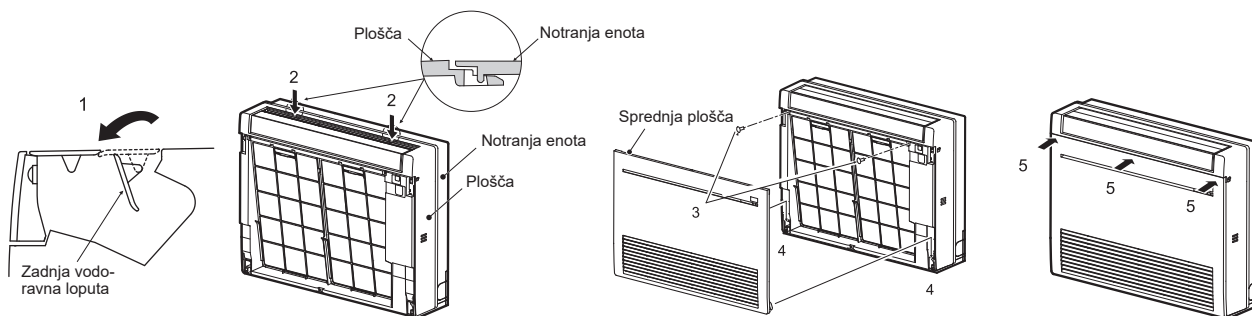
Odtočna cev je odstranjena z mesta namestitve.

- Pri napeljavi odtočnega cevodov poskrbite, da je odtočna cev (1) napeljana, kot je prikazano. (Fig. 4)
- Odtočno cev vstavite vse do dna lovilne posode (končni spoj). (Fig. 5)
- Prepričajte se, da je zapiralo odtočne cevi varno pritrjeno na izbočen del na priključku cevi lovilne posode.
- Po priključitvi odtočne cevi povlecite cev, da se prepričate, da je varno priključena.



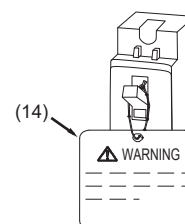
2-8. NAMESTITEV SPREDNJE PLOŠČE

- 1) Odprite zadnjo vodoravno loputo.
- 2) Pritrdite ploščo. Prepričajte se, da so zapirala zaprta.
- 3) Ploščo pritrdite z vijaki.
- 4) Vstavite spodnji del sprednje plošče.
- 5) Pritisnite 3 mesta na zgornjem delu sprednje plošče, da jo zaprete.



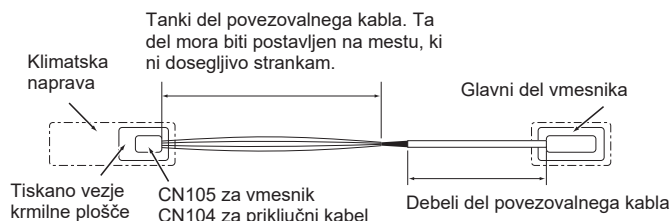
2-9. KAKO NAMESTITI ETIKETO IN POJASNILO

Odklopnik mora vedno biti VKLOPLJEN, razen v času vzdrževanja ali pregleda. Priloženo etiketo (14) ali (15) obesite na odklopnik in jo pojasnite uporabnikom. Ko odklopnik IZKLOPITE, senzor za hladilno sredstvo, nameščen v notranji enoti, ni oskrbovan z električno energijo in iztekanja hladilnega sredstva ni mogoče zaznati. Opomba: Kadar je napeljava za oskrbo z električno energijo notranje/zunanje enote ločena, obesite priloženo etiketo (14) ali (15) na stran odklopnika notranje enote in jo pojasnite uporabnikom.

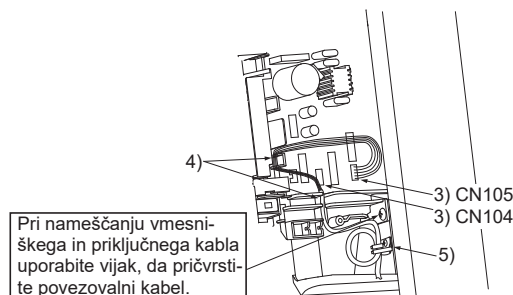


2-10. PRIKLJUČITEV VMESNIŠKEGA (možnost)/PRIKLJUČNEGA KABLA (možnost) V KLIMATSKO NAPRAVO

- Z uporabo vmesniškega/priključnega kabla povežite vmesnik s tiskanim vezjem krmilne plošče notranje enote klimatske naprave.
- Z rezanjem ali podaljševanjem povezovalnega vmesniškega/priključnega kabla lahko povzročite napake pri povezovanju. Povezovalnega kabla ne smete zvezati skupaj z napajalnim kablom, kablom za povezavo notranje/zunanje enote in/ali ozemljitveno žico. Med povezovalnim kablom in temi kablom ohranite čim večjo razdaljo.
- Tanki del povezovalnega kabla mora biti shranjen in postavljen na mestu, ki ni dosegljivo strankam.



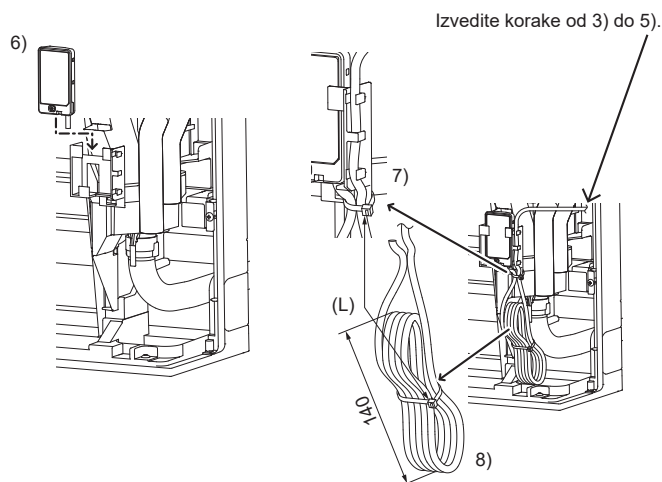
- 1) Odstranite ploščo.
- 2) Odprite pokrov tiskanega vezja krmilne plošče notranje enote.
- 3) Povežite povezovalni kabel s priključkom CN105 in/ali CN104 na tiskanem vezju krmilne plošče notranje enote.
- 4) Speljite povezovalni kabel skozi del, ki je prikazan na sliki.
- 5) Kabelsko objemko, priloženo k vmesniškemu/priključnemu kablom, namestite na debeli del povezovalnega kabla z vijakom velikosti 4 × 16, kot je prikazano na sliki.
- 6) Zaprite pokrov tiskanega vezja krmilne plošče notranje enote. Pazite, da pokrov ne bo preščiopil tankega konca povezovalnega kabla. Ponovno namestite ploščo.



Opomba:

Pri povezovanju brezžičnega vmesnika Wi-Fi (dodatna oprema) vmesnik namestite v držalo, kot je prikazano na sliki. Prilagodite dolžino kabla in ga povežite, kot je prikazano na sliki.

- 1) Odstranite ploščo.
- 2) Odprite pokrov tiskanega vezja krmilne plošče notranje enote.
- 3) Povezovalni kabel povežite s priključkom CN105 na tiskanem vezju krmilne plošče notranje enote.
- 4) Speljite povezovalni kabel skozi del, ki je prikazan na sliki.
- 5) Kabelsko objemko, priloženo vmesniškemu/priključnemu kablom, namestite na debeli del povezovalnega kabla z vijakom velikosti 4 × 16, kot je prikazano na sliki.
- 6) Brezžični vmesnik Wi-Fi namestite v držalo.
- 7) Povezovalni kabel vstavite v držalo in ga pritrdite s trakom (L).
- 8) Odvečni kabel povežite s trakom (L). Naviti del naj meri približno 140 mm.
- 9) Zaprite pokrov tiskanega vezja krmilne plošče notranje enote. Pazite, da pokrov ne bo preščiopil tankega konca povezovalnega kabla. Ponovno namestite ploščo.



⚠ OPOZORILO

Dobro pritrdite povezovalni kabel na predpisanem mestu. Napačna namestitev lahko povzroči električni udar, požar in/ali okvaro.

3. SPAJANJE ROBOV, SPAJANJE CEVI

3-1. SPAJANJE CEVI

- 1) Bakreno cev pravilno odrežite z orodjem za rezanje cevi. (Fig. 1, 2)
- 2) Pobrusite in popolnoma zgladite odrezani rob cevi. (Fig. 3)
 - Ko brusite rob cevi, naj bo cev obrnjena navzdol, da ne bi opilki padali vanjo.
- 3) Odstranite matici spojnk na notranji in zunanji enoti in ju namestite na cevi z ustrezno pobrušenimi robovi. (To po spajanju cevi ne bo mogoče.)
- 4) Spajanje cevi (Fig. 4, 5). Čvrsto primite bakreno cev velikosti, ki je navedena v razpredelnici. Glede na vrsto orodja, ki ga uporabljate, v razpredelnici izberite ustrezno dolžino A v mm.
- 5) Preverite
 - Spoj cevi primerjajte s Fig. 6.
 - Če spoj ni pravilen, odrežite spojeni del cevi in znova izvedite spajanje.

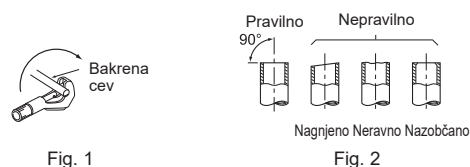


Fig. 1

Fig. 2

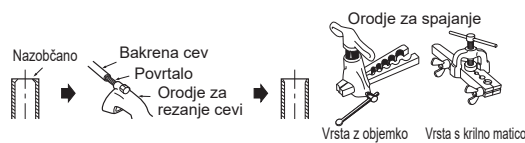


Fig. 3

Fig. 4

Premer cevi (mm)	Matica (mm)	A (mm)			Pritezni moment	
		Orodje za spajanje (vrsta z objemko) za R32,R410A	Orodje za spajanje (vrsta z objemko) za R22	Orodje za spajanje (vrsta s krilno matico) za R22	N•m	kgf•cm
ø6,35 (1/4 ")	17	od 0 do 0,5	od 1,0 do 1,5	od 1,5 do 2,0	14 do 18	140 do 180
ø9,52 (3/8 ")	22			34 do 42	340 do 420	
ø12,7 (1/2 ")	26			od 2,0 do 2,5	49 do 61	490 do 610
ø15,88 (5/8 ")	29			-	68 do 82	680 do 820

3-2. PRIKLJUČITEV CEVI

- Matico spojke pritrdite z momentnim ključem kot je navedeno v razpredelnici.
- Če ga premočno privijete, lahko čez nekaj časa matica spojke počni in povzroči puščanje hladilnega sredstva.
- Cevi ovijte z izolacijo. Neposredni stik z golimi cevmi lahko povzroči opekline ali ozeblane.

Priključitev notranje enote

Priključite cevovoda za tekočino in plin notranje enote.

- Na navoje ne nanašajte hladilnega olja. Privijanje s premočnim zateznim navorom lahko poškoduje vijak.
- Pri priključitvi cev najprej sredinsko poravnajte, nato pa matico spojke najprej ročno privijte za 3 do 4 obrate.
- Pri privijanju stranskih spojev notranje enote si pomagajte z zgornjo razpredelnico zateznih navorov. Uporabite dva ključa. S premočnim privijanjem lahko poškodujete spojni del cevi.

⚠ OPOZORILO

Mehanski priključki za večkratno uporabo in konusni spoji v notranjosti niso dovoljeni. Če priklapljate cevi hladiva s spajkanjem, ne uporabljajte konusnih spojev, temveč zaključite s spajkanjem, preden priključite notranjo enoto na zunanjo.

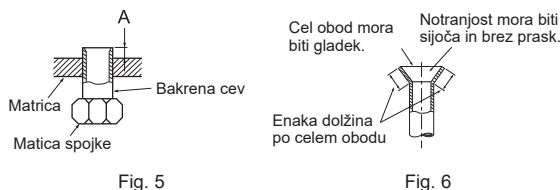
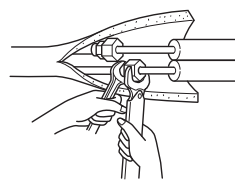


Fig. 5

Fig. 6



⚠ OPOZORILO

Pri nameščanju enote pravilno priključite cevovod hladilnega sredstva, preden zaženete kompresor.

4. POSKUSNI ZAGON

4-1. POSKUSNI ZAGON

Poskrbite, da so opravljeni naslednji postopki.

- Ploščica je pravilno nameščena.
 - Notranja in zunanja enota sta pravilno nameščeni in oskrbovani z električno energijo.
- 1) Pritisnite stikalo E.O. SW (zasilno delovanje) enkrat, da vklopite HLAJENJE, če ga dvakrat, vklopite OGREVANJE. Poskusni zagon se izvaja 30 minut. Če leva indikatorska lučka delovanja utripne vsake 0,5 sekunde, preverite, ali je kabel (A), ki povezuje notranjo/zunanjo enoto, nepravilno priključen. Po poskusnem zagonu se vklopi zasilni način delovanja (s temperaturo, nastavljeno na 24°C).
 - 2) Če želite zaustaviti napravo, stikalo E.O. SW. (zasilno delovanje) pritiskajte, dokler indikatorska lučka ne ugasne. Podrobnosti poiščite v navodilih za uporabo.

Preverite sprejem (infrardečega) signala daljinskega upravljalnika.

Pritisnite stikalo ON/OFF (VKLOP/IZKLOP) daljinskega upravljalnika (10) in poslušajte, ali notranja enota zapiska. Znova pritisnite stikalo ON/OFF (VKLOP/IZKLOP) daljinskega upravljalnika, da izklopite klimatsko napravo.

- Ko se kompresor zaustavi, se vklopi mehanizem za preprečevanje ponovnega zagona. Kompresor 3 minute ne bo deloval, da ne bi prišlo do poškodbe klimatske naprave.

4-2. FUNKCIJA SAMODEJNEGA PONOVNEGA ZAGONA

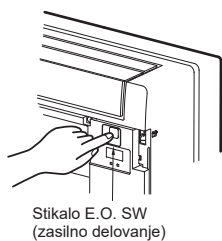
Izdelek je opremljen s funkcijo samodejnega ponovnega zagona. Če med uporabo naprave pride do izpada napajanja, npr. zaradi izpada oskrbe z električno energijo, ta funkcija samodejno zažene napravo v predhodnem načinu delovanja, ko je napajanje z električno energijo znova na voljo. (Podrobnosti poiščite v navodilih za uporabo.)

Pozor:

- Po poskusnem zagonu in preverjanju sprejema signala daljinskega upravljalnika enoto izklopite s stikalom E.O. SW (zasilno delovanje) ali daljinskim upravljalnikom, preden izklopite napajanje. Če tega ne storite, se lahko enota samodejno zažene po ponovnem vklopu napajanja.

Za uporabnika

- Po namestitvi naprave uporabniku obvezno razložite delovanje funkcije samodejnega ponovnega zagona.
- Če funkcije samodejnega ponovnega zagona ne potrebujete, jo lahko onemogočite. Če želite onemogočiti to funkcijo, se obrnite na pooblaščenega serviserja. Podrobnosti poiščite v servisnem priročniku.



4-3. POJASNILA ZA UPORABNIKA

- S pomočjo NAVODIL ZA UPORABO uporabniku razložite, kako naj uporablja klimatsko napravo (kako uporabljati daljinski upravljalnik, odstraniti zračne filtre, kako odstraniti ali vstaviti daljinski upravljalnik v nosilec, kako očistiti napravo, varnostni napotki za uporabo itd.).
- Priporočite mu, naj pozorno prebere NAVODILA ZA UPORABO.

5. IZPRAZNITEV SISTEMA

Glejte tudi postopke v namestitvenem priročniku zunanje enote.

OPOZORILO

Ko hladilni tokokrog pušča, ne izvedite izčrpavanja s kompresorjem. Pri črpanju hladilnega sredstva iz cevododa zaustavite kompresor, preden odklopite cevovod hladilnega sredstva. Kompresor lahko raznese, če vanj prodre zrak ipd.

CUPRINS

1. ÎNAINTE DE INSTALARE	1
2. INSTALAREA UNITĂȚII INTERIOARE	4
3. CONEXIUNE EVAZATĂ, CONEXIUNE CONDUCTĂ	8
4. RULAREA TESTĂRII	8
5. EVACUAREA COMPLETĂ A REFRIGERENTULUI ...	9

Denumirile modelelor sunt indicate în cadrul secțiunii 1-3.





În acest manual de instalare este prezentată numai unitatea interioară. Consultați manualul de instalare pentru unități exterioare în vederea configurării unităților exterioare.

Sculele necesare pentru instalare

Șurubelniță cu capul în cruce	Dispozitiv de evazat țevi pentru R32, R410A
Nivelă cu bulă de aer	Manometru pentru conducte pentru R32, R410A
Riglă	Pompă de vid pentru R32, R410A
Cuter sau foarfecă	Furtun de alimentare pentru R32, R410A
Freză de alezat de 75 mm	Clește pentru tăiat țevi, cu lărgitor
Cheie dinamometrică	Sticlă de apă
Cheie fixă (sau cheie de piulițe)	Între 0,9 și 1,0 l de apă

1. ÎNAINTE DE INSTALARE

SEMNIFICAȚIA SIMBOLURILOR PREZENTATE PE UNITATEA INTERIOARĂ ȘI/SAU UNITATEA EXTERIOARĂ

	AVERTIZARE (Pericol de incendiu)	Această unitate utilizează un agent frigorific inflamabil. Dacă agentul frigorific se scurge și intră în contact cu flăcări sau cu un aparat de încălzire, acesta va crea un gaz nociv și va provoca pericolul de incendiu.
	Citiți cu atenție INSTRUCȚIUNILE DE UTILIZARE înainte de a utiliza aparatul.	
	Personalul de service trebuie să citească cu atenție INSTRUCȚIUNILE DE UTILIZARE și MANUALUL DE INSTALARE înainte de a acționa aparatul.	
	Pentru informații suplimentare, consultați INSTRUCȚIUNILE DE UTILIZARE, MANUALUL DE INSTALARE și celelalte documentații corespunzătoare.	

1-1. PENTRU ASIGURAREA SIGURANȚEI, TREBUIE SĂ FIE RESPECTATE ÎNTOTDEAUNA URMĂTOARELE ASPECTE

- Asigurați-vă că ați citit "PENTRU ASIGURAREA SIGURANȚEI, TREBUIE SĂ FIE RESPECTATE ÎNTOTDEAUNA URMĂTOARELE ASPECTE" înainte de a instala sistemul de climatizare.
- Asigurați-vă că respectați avertismentele și atenționările specificate aici, deoarece acestea cuprind informații importante privind siguranța.
- După ce ați citit acest manual, aveți grijă să îl păstrați împreună cu INSTRUCȚIUNILE DE UTILIZARE în vederea consultării ulterioare.

▲ AVERTIZARE (Poate rezulta decesul, rănirea gravă etc.)

- Nu instalați pe cont propriu unitatea (aceasta nu trebuie să fie instalată de către utilizator).** Instalarea incompletă ar putea cauza producerea unui incendiu, electrocutarea, rănirea în urma deteriorării unității sau scurgerea apei. Adresați-vă reprezentanței de la care ați achiziționat unitatea sau unui instalator calificat.
- Efectuați instalarea în condiții de siguranță, conform manualului de instalare.** Instalarea incompletă ar putea cauza producerea unui incendiu, electrocutarea, rănirea în urma deteriorării unității sau scurgerea apei.
- La instalarea unității, utilizați un echipament de protecție și scule corespunzătoare pentru a asigura siguranța.** Nerespectarea acestor instrucțiuni se poate solda cu răni.
- Instalați în siguranță unitatea într-un loc care să poată susține greutatea acesteia.** Dacă locația de instalare nu poate susține greutatea unității, unitatea ar putea să cadă și să provoace răni.
- Lucrările la instalația electrică trebuie să fie efectuate de către un electrician calificat și cu experiență, conform manualului de instalare. Asigurați-vă că utilizați un circuit separat. Nu conectați la acest circuit alte aparate electrice.** Dacă capacitatea circuitului electric este insuficientă sau dacă lucrările electrice nu sunt finalizate, există pericolul producerii unui incendiu sau al electrocutării.
- Împământați corect unitatea.** Nu conectați cablul de împământare la o conductă de gaz, conductă de apă, paratrăsnet sau la un cablu de împământare pentru telefon. O împământare defectuoasă ar putea cauza electrocutarea.
- Nu deteriorați cablurile aplicând o presiune excesivă prin intermediul pieselor sau a șuruburilor.** Cablurile deteriorate pot provoca producerea unui incendiu sau electrocutarea.
- Asigurați-vă că întrerupeți alimentarea electrică atunci când configurați placa P.C. de interior sau cablajul electric.** Nerespectarea acestor instrucțiuni se poate solda cu electrocutări.
- Utilizați cablurile specificate pentru a conecta în siguranță unitatea interioară și cea exterioară și fixați ferm cablurile la secțiunile de conectare de la blocul de conexiuni astfel încât tensionarea cablurilor să nu fie aplicată asupra secțiunilor. Nu extindeți cablurile și nu utilizați conexiuni intermediare.** Conectarea și asigurarea incomplete ar putea provoca un incendiu.
- Nu instalați unitatea în locuri de unde s-ar putea scurge gaze inflamabile.** Dacă gazul se scurge și se acumulează în jurul unității, ar putea cauza o explozie.
- Nu utilizați conexiuni intermediare ale cablului de alimentare electrică sau cablul prelungitor și nu conectați mai multe dispozitive la o singură priză de C.A.** Ar putea fi provocate un incendiu sau electrocutarea din cauza contactului defect, izolației defecte, depășirii intensității permise a curentului etc.
- Asigurați-vă că utilizați piesele furnizate sau piesele specificate pentru lucrările de instalare.** Utilizarea de piese defecte poate cauza răni sau scurgeri de apă, producerea unui incendiu, electrocutarea, căderea unității etc.
- Atunci când introduceți ștecherul în priză, asigurați-vă că nu există urme de praf, îndurări sau piese slăbite în zona prizei sau a ștecherului. Asigurați-vă că ștecherul este introdus complet în priză.** Dacă există depuneri de praf, îndurări sau piese desprinse la nivelul ștecherului sau prizei, s-ar putea produce electrocutări sau un incendiu. Dacă depistați piese desprinse la nivelul ștecherului, înlocuiți-l.
- Atașați în siguranță capacul de protecție a sistemului electric la unitatea interioară și panoul de servizare la unitatea exterioară.** Dacă capacul de protecție a sistemului electric al unității interioare și/sau panoul de servizare al unității exterioare nu sunt fixate în siguranță, s-ar putea produce un incendiu sau electrocutarea din cauza prezenței prafului, apei etc.
- În cazul instalării, reamplasării sau întreținerii unității, asigurați-vă că în circuitul frigorific nu pătrunde nicio altă substanță în afară de agentul frigorific specificat (R32/R410A).** Prezența oricărei substanțe străine, precum aerul, poate cauza o creștere anormală a presiunii, putând avea ca rezultat explozia sau rănirea. Utilizarea oricărui alt tip de agent frigorific în afara celui specificat pentru sistem va determina producerea de defecțiuni mecanice, defectarea sistemului sau avarierea unității. În cel mai rău caz, aceasta ar putea periclita în mod grav siguranța produsului.
- Nu modificați unitatea.** Acest lucru poate cauza izbucnirea unui incendiu, șocuri electrice, vătămarea sau scurgerea apei.
- Nu evacuați agentul frigorific în atmosferă. Dacă agentul frigorific se scurge în timpul instalării, aerisiți încăperea. După finalizarea lucrărilor de instalare, asigurați-vă că nu există scurgeri de agent frigorific.** Dacă agentul frigorific se scurge și intră în contact cu flăcări sau cu un aparat de încălzire, precum o aeroterma, un încălzitor cu kerosen sau un aragaz, acesta va genera gaze toxice. Asigurați o ventilație corespunzătoare, conform standardului EN378-1.
- La instalare, utilizați scule și materiale izolatoare corespunzătoare pentru conducte.** Presiunea de la R32/R410A este de 1,6 ori mai mare decât cea de la R22. Neutilizarea de scule sau materiale corespunzătoare și instalarea incompletă ar putea cauza spargerea conductelor sau rănirea.
- Atunci când circuitul de refrigerare prezintă scurgeri, nu pompați folosind compresorul. Atunci când agentul frigorific este pompat, opriți compresorul înainte de a debransa conductele de agent frigorific.** Dacă conductele de agent frigorific sunt debransate în timp ce compresorul este în funcțiune, iar supapa de reținere este deschisă, aerul ar putea fi aspirat în interior, iar presiunea din cadrul ciclului de refrigerare ar putea crește la valori anormale. Aceasta ar putea determina spargerea conductelor sau rănirea.
- Instalați un disjunctiv de protecție acționat de curentul de scurgere la pământ la locul de instalare.** Dacă nu este instalat un disjunctiv de protecție acționat de curentul de scurgere la pământ, s-ar putea produce electrocutarea.
- La instalarea unității, conectați în siguranță conductele de agent frigorific înainte de a porni compresorul.** Dacă compresorul este pornit înainte de conductele de agent frigorific să fie branșate, iar supapa de reținere este deschisă, aerul ar putea fi aspirat în interior, iar presiunea din cadrul ciclului de refrigerare ar putea crește la valori anormale. Aceasta ar putea determina spargerea conductelor sau rănirea.
- Strângeți piulița de racord cu ajutorul unei chei dinamometrice conform specificației din tabel.** Dacă este strânsă prea puternic, piulița de racord s-ar putea rupe, determinând scurgerea agentului frigorific.
- Aparatul va fi instalat în conformitate cu reglementările naționale de cablare.**
- Dacă se utilizează un arzător cu gaz sau alt echipament producător de flăcări, eliminați complet întreaga cantitate de agent frigorific din sistemul de climatizare și asigurați-vă că zona este bine ventilată.** Dacă agentul frigorific se scurge și intră în contact cu flăcări sau cu un aparat de încălzire, acesta va crea un gaz nociv, existând pericolul de incendiu.
- Nu utilizați alte mijloace de accelerare a procesului de degivrare sau de curățare a aparatului decât cele recomandate de producător.**
- Aparatul trebuie să fie stocat într-o încăpere în care să nu existe surse de aprindere cu funcționare continuă (de exemplu: flăcări deschise, un aparat cu gaz sau un încălzitor electric aflate în funcțiune).**
- Nu perforați sau ardeți.**
- Aveți în vedere faptul că agenții frigorifici ar putea fi inodori.**
- Conductele trebuie să fie protejate împotriva deteriorărilor fizice.**
- Lucrările de instalare a conductelor trebuie să fie reduse la minim.**
- Trebuie să fie asigurată respectarea reglementărilor naționale ale gazului.**
- Asigurați-vă că niciuna dintre deschiderile de ventilație necesare nu este obstrucționată.**
- Țineți aparatele cu funcționare pe gaz, încălzitoarele electrice și alte surse de foc (surse de aprindere) departe de locația în care sunt efectuate instalarea, repararea și alte operații asupra sistemului de climatizare.**
- Aparatul trebuie depozitat într-un spațiu bine aerisit, ale cărui dimensiuni corespund cu cele specificate pentru funcționare.**
- Nu opriți întrerupătorul, cu excepția cazului în care se simte miros de ars sau dacă efectuați întreținerea sau inspecția.** Energia nu poate fi alimentată la senzorul de agent frigorific montat în unitatea interioară, iar senzorul nu poate detecta scurgerea de agent frigorific. Acest lucru poate cauza un incendiu.
- Fixați în siguranță cablul de conectare în poziția specificată.** În cazul instalării incorecte, se pot produce electrocutări, incendii și/sau defecțiuni.

⚠ ATENȚIE (În anumite medii, poate cauza rănirea gravă în particular dacă nu este utilizată corect.)**■ Efectuați lucrările la sistemul de evacuare/instala-re a conductelor în condiții de siguranță, conform manualului de instalare.**

Dacă lucrările la sistemul de evacuare/instalare a conductelor au fost efectuate în mod defectuos, apa din unitate s-ar putea scurge, intrând în contact și avariind bunurile din locuință.

■ Nu atingeți orificiul de admisie a aerului sau aripioarele din aluminiu ale unității exterioare.

Există pericolul de rănire.

■ Vă rugăm să purtați echipament de protecție atunci când atingeți baza unității exterioare.

Aceasta v-ar putea vătăma dacă nu purtați echipament de protecție.

■ Nu instalați unitatea exterioară în locuri unde s-ar putea afla animale mici.

Dacă animalele mici pătrund în interiorul unității și intră în contact cu componentele electrice, ar putea provoca o defecțiune, emisia de fum sau izbucnirea unui incendiu. De asemenea, recomandați-i utilizatorului să păstreze curățenia în zona din jurul unității.

■ Nu utilizați sistemul de climatizare în timpul desfășurării de lucrări de construcții și amenajări interioare sau în timpul ceruirii parchetului.

După efectuarea unor astfel de lucrări, aerisiți bine încăperea înainte de a utiliza sistemul de climatizare. În caz contrar, elementele volatile ar putea adera la interiorul sistemului de climatizare, cauzând scurgerea apei sau picurarea acesteia.

■ Nu instalați unitatea în locuri unde s-ar putea acumula fum, gaze sau vapori de medicamente.

Senzorul de agent frigorific montat în unitatea interioară poate reacționa la acestea și cauza apariția unei erori privind scurgerea agentului frigorific.

■ Aveți grijă la rotația ventilatorului atunci când întreprupătorul este PORNIT.

Atunci când senzorul de agent frigorific detectează o scurgere, ventilatorul începe să se rotească automat. În caz contrar, puteți suferi răniri.

■ Atunci când utilizați spray-uri cu aerosoli pentru lucrări de construcții interioare, lucrări de finisare sau pentru acoperirea unei găuri din perete, decornați disjunctorul și aerisiți bine încăperea. Senzorul de agent frigorific poate reacționa la gazul din spray-uri și poate cauza detectarea incorectă.

1-2. SELECTAREA LOCAȚIEI DE INSTALARE

În acest manual este prezentată numai instalarea unității interioare.

În cazul instalării unității exterioare, consultați manualul de instalare al unității exterioare.

UNITATE INTERIOARĂ**⚠ ⚠ AVERTIZARE**

Această unitate trebuie să fie instalată în încăperi cu suprafața pardoselii mai mare decât cea specificată în manualul de instalare a unității exterioare.

- Consultați manualul de instalare a unității exterioare.

Următoarele condiții trebuie îndeplinite atunci când instalați unități interioare:

- Unde fluxul de aer nu este blocat.
- Unde aerul rece (sau cald) se răspândește în întreaga încăpere.
- Perete rigid fără producere de vibrații.
- Unde nu este expusă la lumina directă a soarelui. Nu o expuneți luminii directe a soarelui nici în perioada dintre momentul dezambalării și începerea utilizării.
- Unde drenarea să se poată realiza cu ușurință.
- La o distanță de 1 m sau mai mult față de televizor sau radio. Funcționarea sistemului de climatizare ar putea să interfereze cu recepția undelor radio sau semnalului TV. Ar putea fi necesară utilizarea unui amplificator pentru dispozitivul afectat.
- Într-un loc cât mai îndepărtat posibil de luminile fluorescente și incandescente. Astfel încât telecomanda cu raze infraroșii să poată acționa normal sistemul de climatizare. Căldura emanată de lumini ar putea cauza deformări, iar razele ultraviolete ar putea cauza deteriorări.
- Unde filtrul de aer să poată fi demontat și înlocuit cu ușurință.
- La distanță de alte surse de căldură sau de aburi.
- Nu instalați unitatea într-un mediu în care sunt utilizate echipamente cu gaz propan, butan sau metan, pulverizatoare precum insecticide, echipamente care produc fum, materiale de acoperire și medicamente, sau în locuri în care sunt eliberate gaze cu conținut de sulf.
- Senzorul de agent frigorific montat în unitatea interioară poate reacționa la acestea și cauza apariția unei erori privind scurgerea agentului frigorific. Acest lucru poate cauza nefuncționarea unității.

TELECOMANDA

Următoarele sunt condițiile preferabile pentru a memora o telecomandă:

- Unde este ușor vizibilă și la îndemână.
- Unde să nu fie la îndemâna copiilor.
- Selectați o poziție la aproximativ 1,2 m deasupra planșeului și verificați dacă semnalele de la telecomandă sunt recepționate optim de unitatea interioară (este emis semnalul sonor de recepționare 'bip' sau 'bip bip').

Notă:

În încăperile în care sunt utilizate lămpi fluorescente de tip invertor, este posibil ca semnalul de la telecomanda fără fir să nu fie recepționat.

Notă:

Evitați instalarea în următoarele locuri unde este foarte probabilă producerea de defecțiuni ale sistemului de climatizare.

- Unde s-ar putea produce scurgeri de gaze inflamabile.
- Locurile unde există cantități mari de ulei pentru mașini.
- Zonele unde se produc împrăștiări cu ulei sau pline cu fum uleios (precum locațiile unde se gătește și fabricile unde proprietățile materialelor plastice pot fi modificate și deteriorate).
- Locurile în care există o salinitate înaltă, de exemplu, pe malul mării.
- Locurile unde este generat gaz sulfurat, precum zonele cu izvoare termale, rețelele de canalizare și de colectare a apelor uzate.
- Zonele cu frecvențe înalte sau în care există echipamente care funcționează fără fir.
- Unde există emisii a unor cantități mari de compuși organici volatili (COV), inclusiv compuși de ftalați, formaldehidă etc. care ar putea cauza cracarea chimică.
- Aparatul trebuie să fie amplasat astfel încât să se prevină producerea de defecțiuni mecanice.

În cazul conectării la o unitate exterioară care utilizează agent frigorific R32, instalați unitatea interioară într-o încăpere cu dimensiuni ale pardoselii Amin sau mai mult, corespunzătoare cantității M de agent frigorific (agentul frigorific încărcat din fabrică + agentul frigorific adăugat la locul de montaj). Pentru cantitatea de agent frigorific și sarcina suplimentară de agent frigorific, consultați unitatea exterioară.

M [kg]	Amin [m ²]
1,00	
1,10	
1,20	
1,30	
1,40	
1,50	
1,60	
1,70	
1,80	
1,84	3,63
1,90	3,75
2,00	3,95
2,10	4,15
2,20	4,34
2,30	4,54
2,40	4,74

Consultați manualul de instalare al unității exterioare pentru sarcina de agent frigorific.

1-3. SPECIFICAȚII

Model	Alimentare electrică *1		Specificații privind cablurile *2		Dimensiunea conductelor (grosime *3, *4, *5, *6)		Grosimea materialului izolator *7, *8
	Tensiunea nominală	Frecvența	Cablul de conectare de la unitatea interioară/exterioară	Gaz	Lichid		
MFZ-KT25VG	230 V	50 Hz	4 miezuri 2,0 mm ²	ø9,52 mm (0,8 mm)	ø6,35 mm (0,8 mm)	14 mm	
MFZ-KT35VG				ø12,7 mm (0,8 mm)			
MFZ-KT50VG				ø15,88 mm (0,8 mm)			
MFZ-KT60VG							

*1 Conectați la comutatorul care are o distanță de cel puțin 3 mm atunci când este deschis pentru a întrerupe faza sursei de putere. (Atunci când întrerupătorul este deconectat, acesta trebuie să întrerupă toate fazele.)

*2 Utilizați cabluri de tipul 60245 IEC 57.

*3 Nu utilizați niciodată conducte cu o grosime mai mică decât cea specificată. Rezistența la presiune va fi insuficientă.

*4 Utilizați o conductă din cupru sau o conductă fără sudură, din aliaj de cupru.

*5 Aveți grijă să nu striviți sau să deformați conducta în timpul procesului de îndoire.

*6 Raza de îndoire a conductei de agent frigorific trebuie să fie de cel puțin 100 mm.

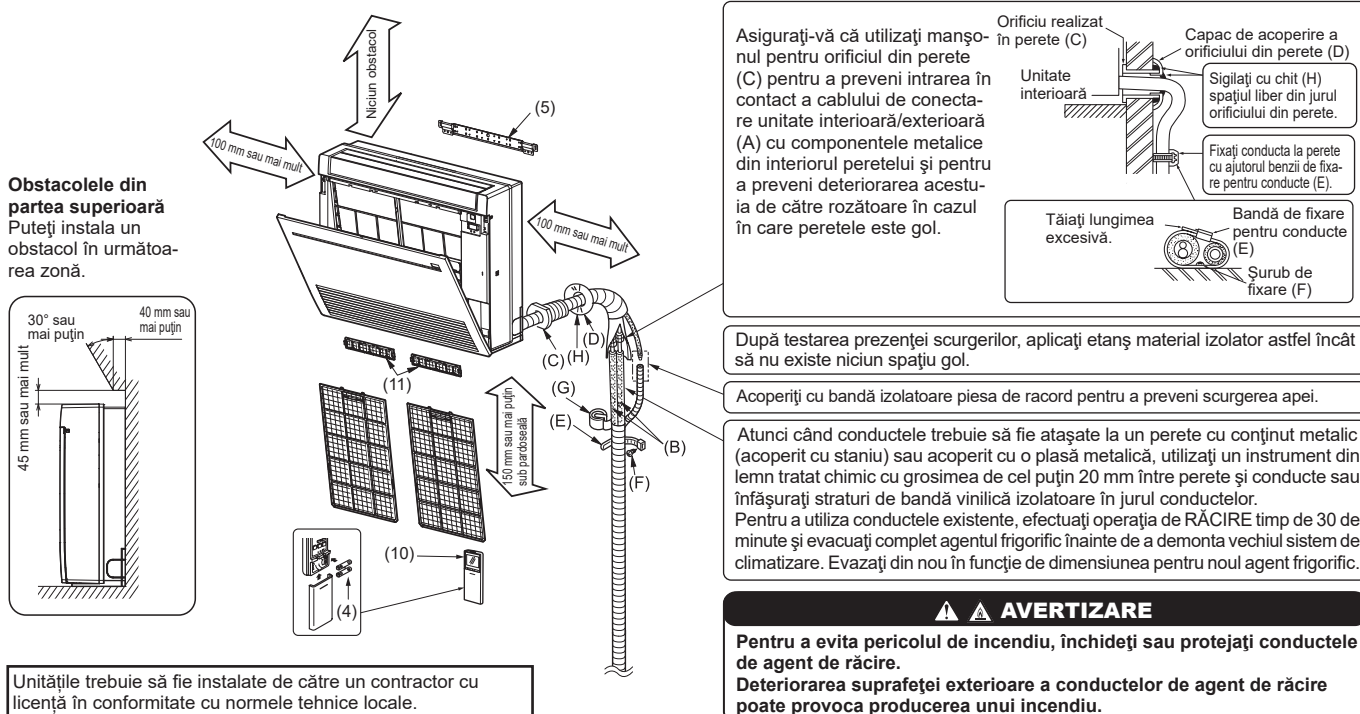
*7 Material izolator: Spumă termorezistentă pentru suprafețe din plastic 0,045 cu greutate specifică

*8 Asigurați-vă că utilizați un material izolator cu grosimea specificată. O grosime excesivă ar putea determina instalarea incorectă a unității interioare, iar o grosime insuficientă ar putea cauza scurgerea picăturilor de condens.

1-4. DIAGRAMA DE INSTALARE

Atunci când instalați unități exterioare, consultați manualul de instalare pentru unități exterioare.

Tabelul cu specificații privind conductele nu indică o lungime de setare minimă a conductelor. Cu toate acestea, unitățile interioare cu o lungime a conductelor conectate de sub 3 m ar putea produce zgomot intermitent în timpul funcționării normale a sistemului în medii foarte silențioase. Țineți cont de această informație importantă atunci când instalați și amplasați unitatea interioară în spațiul condiționat.



ACCESORII

Înainte de instalare, verificați următoarele componente.

(1) Furtun de scurgere*	1
(2) Mascator conducte	1
(3) Bandă	2
(4) Baterie (AAA) pentru (10)	2
(5) Consolă de montare unitate interioară	1
(6) Șurub de fixare pentru (5) 4 × 25 mm	5
(7) Șurub pentru lemn pentru fixarea unității interioare	4
(8) Șaibă pentru (7)	4
(9) Bandă adezivă din pâslă (Pentru conductele din partea stângă sau din partea stângă din spate)	1
(10) Telecomanda fără fir	1
(11) Filtru de curățare a aerului	2
(12) Manșon pentru conductă (racord) (Numai KT60)	1
(13) Capac conductă pentru manșon conductă (Numai KT60)	1
(14) Etichetă întrerupător	1
(15) Notificare întrerupător	1

* Notă:

Furtunul de scurgere este racordat la unitate.

PIESELE FURNIZATE LA LOCAȚIA DE INSTALARE

(A) Cablu de conectare unitate interioară/exterioară*	1
(B) Conductă prelungitoare	1
(C) Manșon pentru orificiul din perete	1
(D) Capac de acoperire a orificiului din perete	1
(E) Bandă de fixare pentru conducte	Între 2 și 5
(F) Șurub de fixare pentru (E) 4 × 20 mm	Între 2 și 5
(G) Bandă izolatoare pentru conducte	1
(H) Chit	1
(J) Furtun de scurgere (sau furtun din PVC moale, cu diametrul interior de 15 mm sau conductă din PVC rigid VP16)	1 sau 2
(K) Cablu de alimentare electrică*	1
(L) Bandă (exclusiv pentru conexiunea interfeței Wi-Fi)	2

* Notă:

Amplasați cablu de conectare (A) de la unitatea interioară/exterioară și cablu de alimentare electrică (K) la o distanță de cel puțin 1 m față de cablu antenei TV.

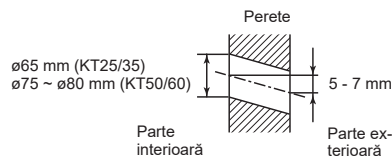
2. INSTALAREA UNITĂȚII INTERIOARE

2-1. FIXAREA CONSOLEI DE MONTARE A UNITĂȚII INTERIOARE

- Nu instalați unitatea interioară într-un loc cu înălțime de peste 150 mm.
- Identificați un material de structură (precum un prezon) în perete și fixați consola (5) în poziție orizontală folosind șuruburile de fixare (6).
- Pentru a preveni vibrarea consolei (5), asigurați-vă că instalați șuruburile de fixare în orificiile indicate în ilustrație. Pentru o susținere suplimentară, se pot instala șuruburi de fixare și în alte orificii.

2-2. EFECTUAREA DE ORIFICII

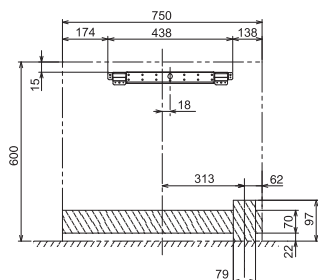
- 1) Stabiliți poziția orificiului din perete.
- 2) Efectuați un orificiu cu diametrul de 65 mm (diametru 75 ~ 80 mm pentru KT50/60).
Partea exterioară trebuie să fie cu 5 - 7 mm mai jos decât partea interioară.
- 3) Introduceți manșonul pentru orificii realizate în perete (C).



POZIȚIILE ORIFICIILOR

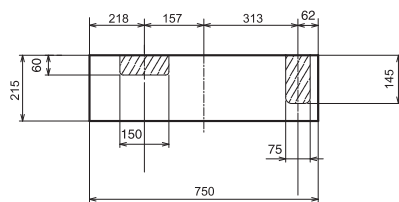
PENTRU CONDUCTELE DIN SPATE SAU DIN PARTEA STÂNGĂ DIN SPATE

(Următoarea figură reprezintă imaginea din față a locației de instalare a unității interioare.)

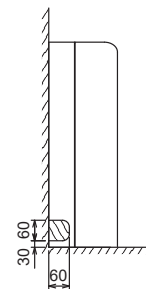


PENTRU CONDUCTELE DIN PARTEA DREAPTĂ DE JOS SAU DIN PARTEA STÂNGĂ DE JOS

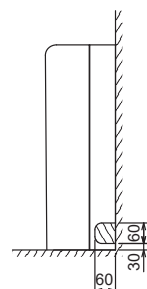
(Următoarea figură reprezintă imaginea părții inferioare a unității interioare văzută de sus.)



PENTRU CONDUCTELE DIN STÂNGA



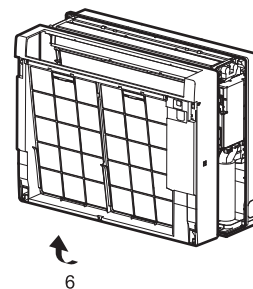
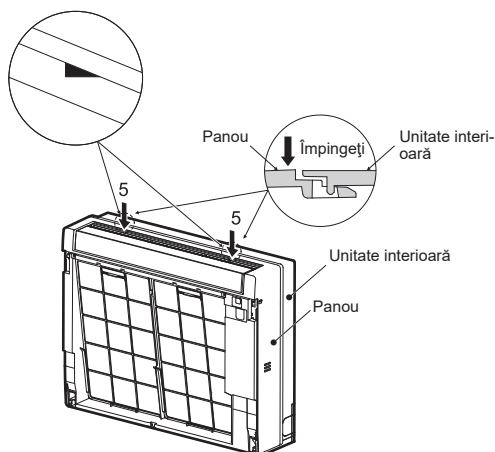
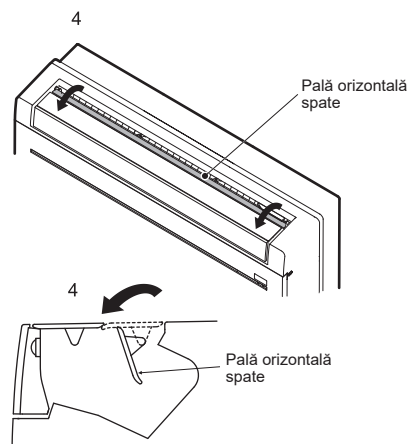
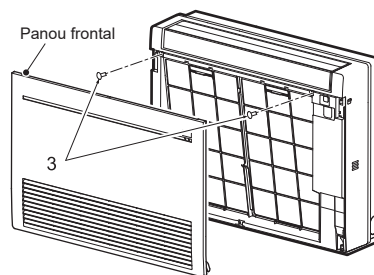
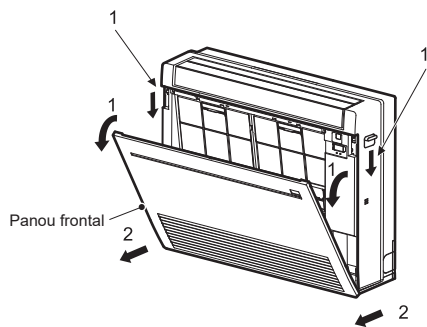
PENTRU CONDUCTELE DIN DREAPTA



2-3. PREGĂTIREA UNITĂȚII INTERIOARE

Demontați panoul frontal de la unitatea interioară.

- 1) Apăsați pe clapetele din ambele părți ale unității pentru a deschide panoul frontal.
- 2) Trageți panoul frontal spre dumneavoastră pentru a-l demonta.
- 3) Scoateți cele 2 șuruburi.
- 4) Deschideți pala orizontală din spate.
- 5) Apăsați în 2 locuri de pe partea superioară a panoului, apoi trageți partea superioară a panoului spre dumneavoastră.
- 6) Scoateți panoul în timp ce îl ridicați (ușor).



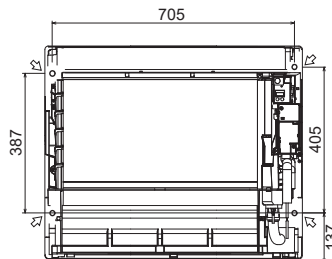
2-4. INSTALAREA UNITĂȚII INTERIOARE

2-4-1. INSTALAREA UNITĂȚII INTERIOARE PE PARDOSEALĂ

- 1) Așezați unitatea interioară pe o pardoseală dreaptă.
- 2) Fixați unitatea interioară în 4 puncte folosind șuruburile pentru lemn incluse (7) și șaibele (8). Strângeți bine șuruburile.

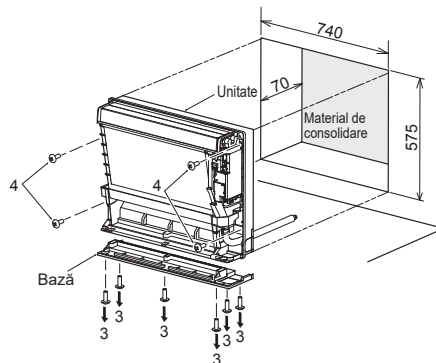
2-4-2. MONTAREA UNITĂȚII INTERIOARE PE PERETE

- 1) Prindeți partea superioară a unității interioare pe consola de montare (5) a unității interioare.
- 2) Fixați unitatea interioară în 4 puncte folosind șuruburile pentru lemn incluse (7) și șaibele (8). Strângeți bine șuruburile.



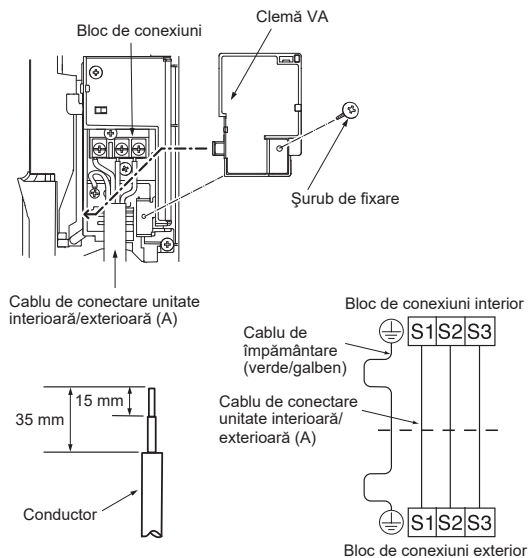
2-4-3. ÎNCASTRAREA UNITĂȚII INTERIOARE ÎNTR-UN PERETE

- 1) Efectuați o gaură în perete.
- 2) Folosind material de consolidare, reglați adâncimea.
- 3) Scoateți 6 șuruburi care fixează baza de unitate. Demontați baza de la unitate.
- 4) Fixați unitatea interioară în 4 puncte folosind șuruburile pentru lemn incluse (7) și șaibele (8). Strângeți bine șuruburile.



2-5. CONECTAREA CABLURILOR PENTRU UNITATEA INTERIOARĂ

- 1) Scoateți clema VA.
- 2) Treceți cablul de conectare (A) de la unitatea interioară/exterioară din partea din spate a unității interioare și procesați capătul cablului.
- 3) Slăbiți șurubul de strângere și conectați primul cablu de împământare, apoi cablul de conectare (A) de la unitatea interioară/exterioară la blocul de conexiuni. Aveți grijă să nu inversați cablurile. Fixați în siguranță cablul la blocul de conexiuni astfel încât nicio porțiune a miezului acestuia să nu fie expusă și să nu fie exercitată nicio forță externă asupra secțiunii de conexiune a blocului de conexiuni.
- 4) Strângeți ferm șuruburile de strângere pentru a preveni slăbirea acestora. După strângere, trageți ușor de cabluri pentru a vă asigura că acestea nu se deplasează de la locurile lor.
- 5) Asigurați cablul de conexiune (A) de la unitatea interioară/exterioară și cablul de împământare cu ajutorul clemei VA. Nu omiteți niciodată să prindeți gheara stângă a clemei VA. Atașați în siguranță clema VA.



- Asigurați-vă că cablul de împământare este puțin mai lung decât celelalte cabluri. (Peste 45 mm)
- În vederea servisirii ulterioare, asigurați o lungime suplimentară a cablurilor de conectare.
- Nu îndoiți cablul în exces și nu îl înghesuiți într-un spațiu mic. Aveți grijă să nu deteriorați cablurile.
- Asigurați-vă că atașați fiecare șurub la terminalul corespunzător atunci când fixați cordonul conector și/sau cablul la blocul de conexiuni.

⚠️ AVERTIZARE

La instalarea unității, conectați în siguranță conductele de agent frigorific înainte de a porni compresorul.

2-6. MODELAREA ȘI INSTALAREA CONDUCTELOR

Notă: Consultați punctul 3. CONEXIUNE EVAZATĂ, CONEXIUNE CONDUCTĂ.

Modelarea conductelor

- Dirijați furtunul de scurgere pe diagonală sub conductele de conectare.
- Asigurați-vă că furtunul de scurgere nu este dirijat în sus și că nu prezintă ondulații.
- Nu trageți de furtun atunci când aplicați banda.
- Dirijați conductele astfel încât să nu iasă în afară prin partea posterioară a unității interioare. (Consultați figura din dreapta.)

Instalarea conductei de conectare

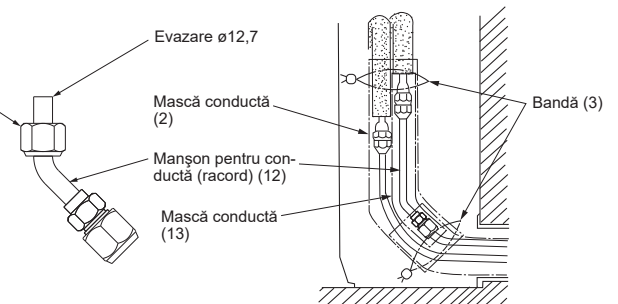
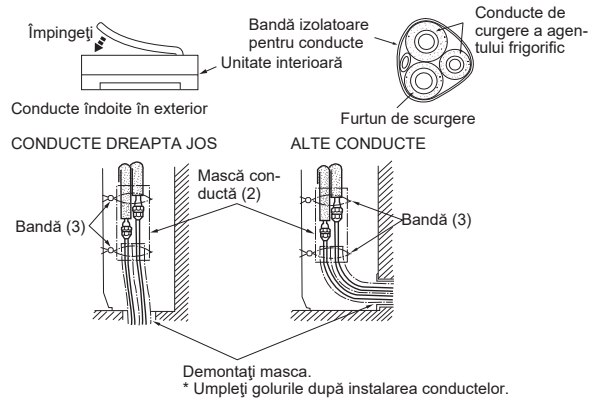
- Instalați conductele de conectare astfel încât acestea să poată fi mișcate ușor în față, în spate, la stânga și la dreapta.
- Dacă este demontată masca, aveți grijă să astupați conductele astfel încât acestea să nu fie expuse la încăpere după instalarea conductelor.
- Umpleți golurile după instalarea conductelor.

- Aveți grijă să izolați conductele de conectare astfel încât să nu intre în contact cu panoul.
- Aveți grijă să nu striviți conductele de conectare atunci când le îndoiți.

Pentru MFZ-KT60

- Asigurați-vă că utilizați manșonul pentru conductă (12); în caz contrar, conducta prelungitoare cu diametru de $\varnothing 15,88$ nu poate fi fixată.
- Evazați manșonul pentru conductă (12) la $\varnothing 12,7$, și atașați capacul conductei (13).

Utilizați piulița de racord atașată la unitate.
Acordați atenție direcției piulițelor.



PENTRU CONDUCTELE DIN STÂNGA SAU DIN PARTEA STÂNGĂ DIN SPATE

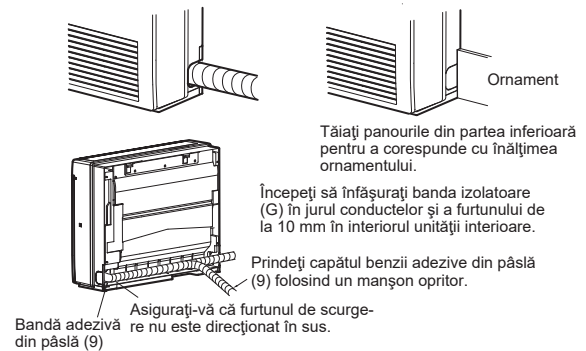
Adunați laolaltă conductele de conectare și furtunul de scurgere, apoi înfășurați-le pe toate în bandă adezivă din păslă (9).

Tăiați și utilizați panourile inferioare din partea stângă și din partea dreaptă a unității interioare conform indicațiilor de mai jos.

Neteziți marginile tăiate ale panourilor laterale astfel încât să nu deterioreze stratul izolator.

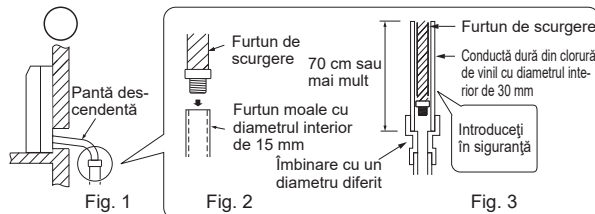
- Pentru conductele din stânga sau din dreapta
- Instalare prin aliniere cu un perete cu ornamente

Înfășurați banda adezivă din păslă (9) strâns în jurul conductelor și furtunului, începând de la porțiunile acestora care ies din unitatea interioară. (Lățimea de suprapunere a benzii adezive din păslă (9) nu trebuie să depășească 1/2 din lățimea benzii.)

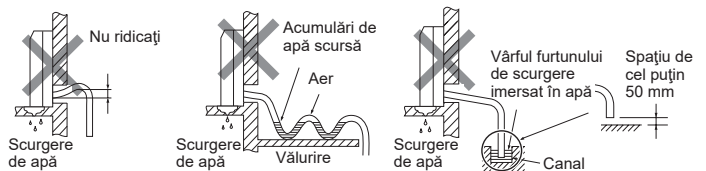


2-7. CONDUCTELE DE EVACUARE

- Dacă furtunul prelungitor de evacuare urmează să traverseze o încăpere, asigurați-vă că îl înfășurați cu un material izolator disponibil în comerț.
- Furtunul de evacuare trebuie să fie orientat în jos, pentru a facilita scurgerea lichidelor. (Fig. 1)
- Dacă furtunul de scurgere furnizat împreună cu unitatea interioară este prea scurt, racordați-l la furtunul de scurgere (J) care ar trebui să fie furnizat la locația de instalare. (Fig. 2)
- Folosiți bandă sau un alt material pentru a etanșa conexiunea dintre furtunul de evacuare al produsului și furtunul prelungitor de evacuare (diametru interior de 16 mm) (J).
- Atunci când racordați furtunul de evacuare la conducta dură din clorură de vinil, asigurați-vă că îl introduceți în siguranță în interiorul conductei. (Fig. 3)

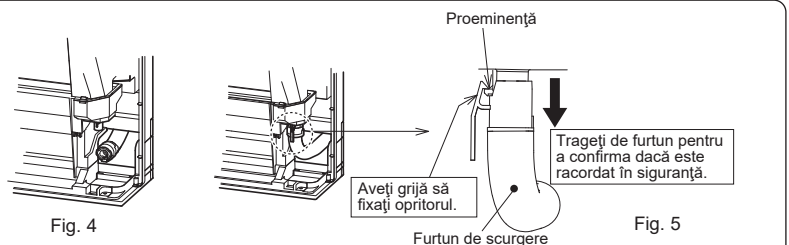


Nu configurați sistemul de conducte de evacuare după cum este prezentat mai jos.



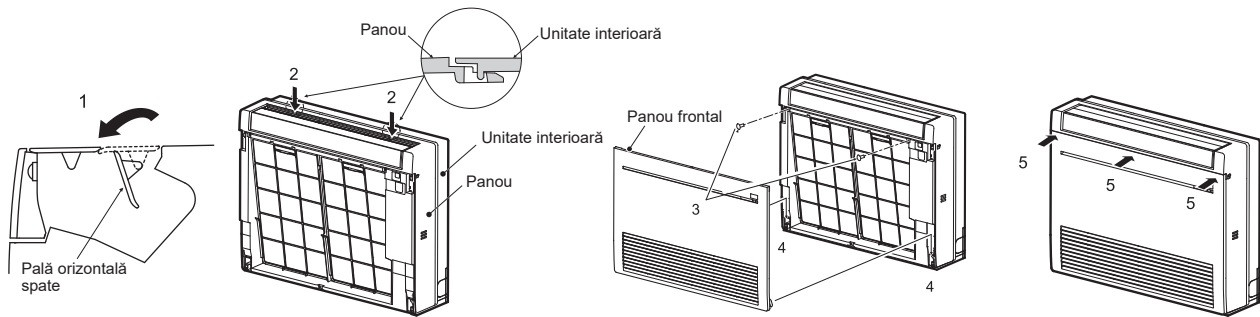
Furtunul de scurgere este demontat la instalare.

- Atunci când dirijați conductele de evacuare, asigurați-vă că furtunul de scurgere (1) este direcționat conform indicațiilor. (Fig. 4)
- Introduceți furtunul de scurgere complet până la baza tăvii de scurgere (conexiune de capăt). (Fig. 5)
- Asigurați-vă că opritorul furtunului de scurgere este prins bine pe proeminența racordului furtunului de la tava de scurgere.
- După racordarea furtunului de scurgere, trageți de furtun pentru a confirma faptul că acesta este racordat în siguranță.



2-8. INSTALAREA PANOULUI FRONTAL

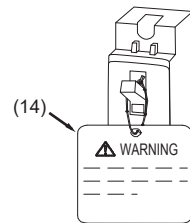
- 1) Deschideți pala orizontală din spate.
- 2) Atașați panoul. Asigurați-vă că opritoarele sunt cuplate.
- 3) Fixați panoul cu șuruburi.
- 4) Introduceți partea inferioară a panoului frontal.
- 5) Apăsăți în 3 poziții din partea superioară a panoului frontal pentru a-l închide.



2-9. MODALITATEA DE ATAȘARE A ETICHETEI ȘI EXPLICAȚIEI

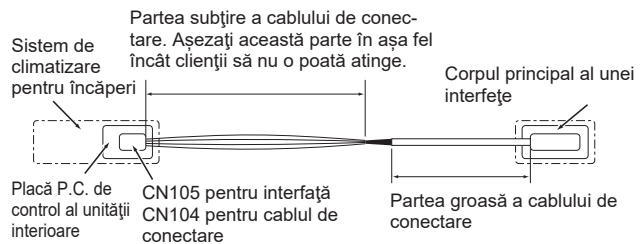
Înterupătorul trebuie să fie întotdeauna PORNIT, cu excepția cazului în care efectuați întreținerea sau inspecția. Agățați eticheta însoțitoare (14) sau (15) pe întrerupător și oferiți explicații clienților. Atunci când OPRIȚI întrerupătorul, energia electrică nu va fi furnizată la senzorul de agent frigorific montat în unitatea interioară, iar scurgerea de agent frigorific nu poate fi detectată.

Notă: Când cablajul pentru alimentarea cu energie a unității interioare/unității exterioare este separat, agățați eticheta însoțitoare (14) sau (15) pe întrerupătorul de pe partea unității interioare și oferiți explicații clienților.

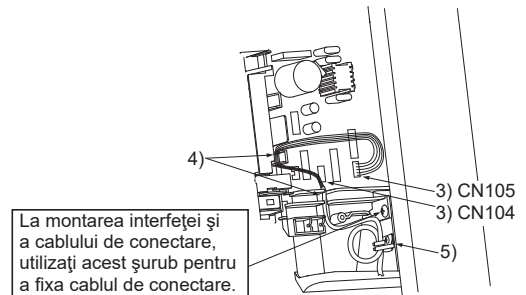


2-10. CONECTAREA UNEI INTERFEȚE (opțională)/CABLULUI DE CONECTARE (opțional) LA APARATUL DE AER CONDIȚIONAT

- Conectați o interfață/un cablu de conectare la placa cu circuite imprimate de control al unității interioare a unui aparat de aer condiționat folosind cablul de conectare.
- Tăierea sau prelungirea cablului de conectare a interfeței/cablului de conectare poate determina apariția unor defecțiuni de conectare. Nu legați cablul de conectare împreună cu cablul de alimentare, cablul de conectare al unității interioare/exterioare și/sau cablul de împământare. Lăsați o distanță cât mai mare între cablul de conectare și aceste cabluri.
- Partea subțire a cablului de conectare trebuie să fie depozitată și așezată în așa fel încât clienții să nu o poată atinge.



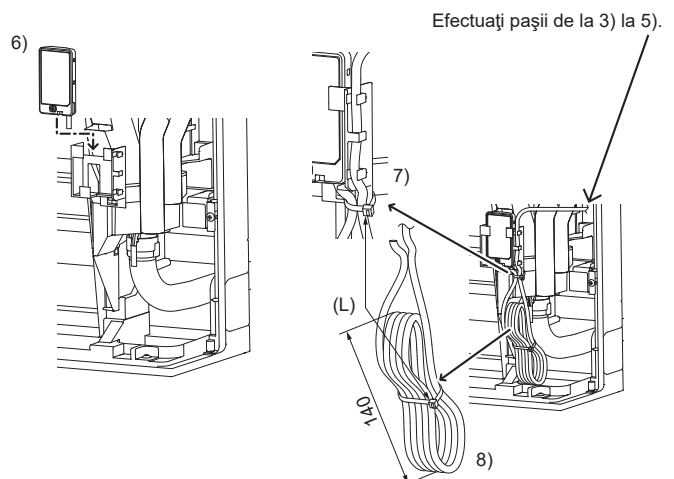
- 1) Demontați panoul.
- 2) Deschideți capacul plăcii P.C. de control al unității interioare.
- 3) Cuplați cablul de conectare la CN105 și/sau CN104 de pe placa cu circuite imprimate de control al unității interioare.
- 4) Treceți cablul de conectare prin acest punct din figură.
- 5) Fixați clema pentru cablu furnizată împreună cu interfața/cablul de conectare de partea grosă a cablului de conectare utilizând un șurub 4 x 16, așa cum este prezentat în figură.
- 6) Închideți capacul plăcii P.C. de control al unității interioare. Procedați cu atenție pentru a nu prinde partea subțire a cablului de conectare în capac. Reinstalați panoul.



Notă:

Atunci când conectați interfața Wi-Fi (opțional), instalați interfața în suport așa cum este prezentat în figură. Reglați lungimea cablului și legați-l într-un mănunchi așa cum este prezentat în figură.

- 1) Demontați panoul.
- 2) Deschideți capacul plăcii cu circuite imprimate de control al unității interioare.
- 3) Cuplați cablul de conectare la CN105 de pe placa cu circuite imprimate de control al unității interioare.
- 4) Treceți cablul de conectare prin acest punct din figură.
- 5) Fixați clema pentru cablu furnizată împreună cu interfața/cablul de conectare de partea grosă a cablului de conectare utilizând un șurub 4 x 16, așa cum este prezentat în figură.
- 6) Montați interfața Wi-Fi în suport.
- 7) Introduceți cablul de conectare în suport, apoi fixați-l folosind banda (L).
- 8) Legați într-un mănunchi cablul rămas în exces folosind banda (L). Partea înfășurată trebuie să fie de aproximativ 140 mm.
- 9) Închideți capacul plăcii cu circuite imprimate de control al unității interioare. Procedați cu atenție pentru a nu prinde partea subțire a cablului de conectare în capac. Reinstalați panoul.



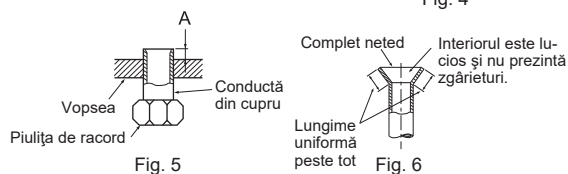
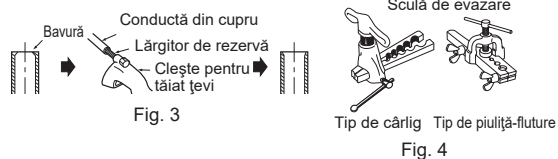
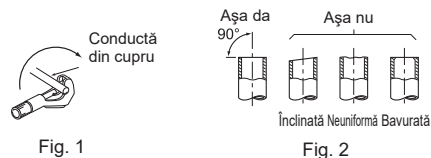
⚠ AVERTIZARE

Fixați în siguranță cablul de conectare în poziția specificată. În cazul instalării incorecte se pot produce electrocutări, incendii și/sau defecțiuni.

3. CONEXIUNE EVAZATĂ, CONEXIUNE CONDUCTĂ

3-1. LUCRĂRILE DE EVAZARE

- Tăiați corect conducta din cupru cu ajutorul cleștelui pentru tăiat țevi. (Fig. 1, 2)
- Eliminați complet toate bavurile de pe secțiunea transversală tăiată a conductei. (Fig. 3)
 - Atunci când eliminați bavurile, orientați în jos capătul conductei din cupru pentru a evita căderea bavurilor în interiorul conductei.
- Scoateți toate piulițele de racord atașate la unitatea interioară și la cea exterioară, apoi amplasați-le pe conductă după ce ați finalizat operația de debavurare. (Montarea acestora nu este posibilă după efectuarea lucrărilor de evazare.)
- Lucrările de evazare (Fig. 4, 5). Țineți ferm conducta din cupru la dimensiunea prezentată în tabel. Selectați A mm din tabel, în funcție de scula pe care o utilizați.
- Verificare
 - Comparați lucrarea de evazare cu ilustrația din Fig. 6.
 - Dacă evazarea este defectuoasă, tăiați secțiunea evazată și efectuați din nou lucrările de evazare.



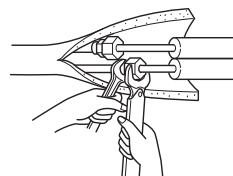
Diametrul conductei (mm)	Piuliță (mm)	A (mm)			Cuplu de strângere	
		Sculă de tip cârlig pentru R32, R410A	Sculă de tip cârlig pentru R22	Sculă de tip piuliță-fluture pentru R22	N·m	kgf·cm
ø6,35 (1/4")	17	Între 0 și 0,5	Între 1,0 și 1,5	Între 1,5 și 2,0	Între 14 și 18	Între 140 și 180
ø9,52 (3/8")	22			Între 34 și 42	Între 340 și 420	
ø12,7 (1/2")	26	-	-	Între 2,0 și 2,5	Între 49 și 61	Între 490 și 610
ø15,88 (5/8")	29			Între 68 și 82	Între 680 și 820	

3-2. RACORDAREA CONDUCTELOR

- Strângeți piulița de racord cu ajutorul unei chei dinamometrice conform specificației din tabel.
- Dacă este strânsă prea puternic pentru o perioadă îndelungată de timp, piulița de racord s-ar putea rupe, determinând scurgerea agentului frigorific.
- Asigurați-vă că înfășurați materialul izolator în jurul conductelor. Contactul direct cu conductele neizolate se poate solda cu arsuri sau degerături.

Conectarea unității interioare

- Racordați atât conductele pentru lichide, cât și conducta de gaz la unitatea interioară.
- Nu aplicați ulei refrigerant pe filetele șurubului. Strângerea excesivă va cauza deteriorarea șurubului.
 - Pentru racordare, mai întâi aliniați centrul, apoi strângeți manual piulița de racord cu 3 - 4 rotații.
 - Consultați tabelul cu cuplurile de strângere de mai sus atunci când strângeți secțiunea laterală de îmbinare a unității interioare și strângeți utilizând două chei fixe. Strângerea excesivă determină deteriorarea secțiunii evazate.



⚠️ AVERTIZARE

La instalarea unității, conectați în siguranță conductele de agent frigorific înainte de a porni compresorul.

⚠️ AVERTIZARE

Nu este permisă folosirea în spații interioare a conectorilor mecanici reutilizabili și a îmbinările evazate. În momentul conectării conductelor agentului frigorific prin brazare, și nu prin utilizarea conexiunilor evazate, finalizați toate operațiile de brazare înainte de a conecta unitatea interioară la unitatea exterioară.

4. RULAREA TESTĂRII

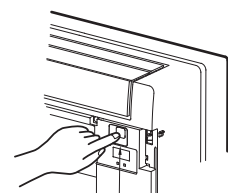
4-1. RULAREA TESTĂRII

Asigurați-vă că sunt îndeplinite următoarele condiții.

- Panoul este instalat corect.
 - Unitățile interioare și exterioare sunt instalate corect, și este furnizată energie electrică.
- Apăsați pe E.O. SW. Comutați o dată pentru RĂCIRE și de două ori pentru ÎNCĂLZIRE. Rularea testării va funcționa timp de 30 de minute. Dacă lampa din stânga indicatorului de funcționare se aprinde intermitent la fiecare 0,5 secunde, verificați dacă cablul de conectare (A) de la unitatea interioară/exterioară este inversat. După rularea testării, va porni modul de urgență (temperatură setată de 24 °C).
 - Pentru a întrerupe funcționarea, apăsați pe E.O. SW. Comutați de mai multe ori până când toate lămpile cu LED-uri se sting. Pentru detalii, consultați instrucțiunile de utilizare.

Verificarea recepționării semnalului de la distanță (infraroșu)

- Apăsați butonul de ON/OFF (PORNIRE/OPRIRE) de pe telecomandă (10) și verificați dacă de la unitatea interioară se emite un sunet electronic. Apăsați din nou pe butonul de ON/OFF (PORNIRE/OPRIRE) pentru a dezactiva sistemul de climatizare.
- Odată ce compresorul se oprește, dispozitivul de prevenție a repornirii acționează astfel încât compresorul să nu funcționeze timp de 3 minute, pentru a proteja sistemul de climatizare.



Comutator de oprire de urgență (E.O. SW)

4-2. FUNCȚIA DE REPORNIRE AUTOMATĂ

Acest produs este echipat cu o funcție de repornire automată. Atunci când alimentarea electrică este întreruptă în timpul funcționării, precum în cazul penelor de curent, funcția pornește automat funcționarea la setarea anterioară odată ce alimentarea electrică este restabilă. (Pentru detalii, consultați instrucțiunile de utilizare.)

Atenție:

- După rularea testării sau verificarea recepției semnalului de la distanță, dezactivați unitatea cu ajutorul E.O. SW. Acționați comutatorul sau telecomanda înainte de a întrerupe alimentarea electrică. Nerespectarea acestei condiții va determina pornirea automată a unității în momentul reluării alimentării electrice.

Pentru utilizator

- După instalarea unității, nu uitați să îi specificați utilizatorului detaliile privind funcția de repornire automată.
- Dacă funcția de repornire automată nu este necesară, aceasta poate fi dezactivată. Pentru dezactivarea funcției, adresați-vă reprezentanței de service. Pentru detalii, consultați instrucțiunile de servizare.

4-3. EXPLICAȚIE PENTRU UTILIZATOR

- Cu ajutorul INSTRUCȚIUNILOR DE UTILIZARE, explicați-i utilizatorului cum trebuie să utilizeze sistemul de climatizare (cum se utilizează telecomanda, cum se scot filtrele de aer, cum se scoate sau se așază telecomanda în suportul pentru telecomandă, instrucțiuni de curățare, ce măsuri de precauție trebuie luate în timpul utilizării, etc.).
- Recomandați-i utilizatorului să citească cu atenție INSTRUCȚIUNILOR DE UTILIZARE.

5. EVACUAREA COMPLETĂ A REFRIGERENTULUI

Consultați procedurile indicate în manualul de instalare al unității exterioare.

AVERTIZARE

Atunci când circuitul de refrigerare prezintă scurgeri, nu pompați folosind compresorul. Atunci când agentul frigorific este pompat, opriți compresorul înainte de a debransa conductele de agent frigorific. Compresorul ar putea să plesnească dacă în interiorul acestuia pătrunde aer etc.

SISUKORD

1. ENNE PAIGALDAMIST.....	1
2. SISESEADME PAIGALDAMINE.....	4
3. OTSAMUHVI ÜHENDAMINE, TORUÜHENDUSED.....	8
4. KONTRULLKÄIVITUS.....	8
5. TÜHJAKS PUMPAMINE.....	9

Mudeli nimed on näidatud lõigus 1-3.

Käesolev paigaldusjuhend kirjeldab ainult siseseadet. Välis-seadmete seadistamisel järgige välisseadme paigaldusjuhendit.

Paigaldamiseks vajalikud tööriistad

Philipsi kruvikeeraja	Toruühenduste tööriist mudelile R32, R410A
Tase	Mõõtja näidik mudelile R32, R410A
Skaala	Vaakumpump mudelile R32, R410A
Tõnuga või käärid	Täitevooliku mudelile R32, R410A
75 mm augu saag	Torulõikur koos hõõritsaga
Dünamomeetriline võti	Veepudel
Mutrivõti (või tellitav mutrivõti)	0,9 kuni 1,0 l vett

1. ENNE PAIGALDAMIST

SISE- JA/VÕI VÄLISSEADMEL KUVATAVATE SÜMBOLITE TÄHENDUSED

	HOIATUS! (Tuleohhtlik)	Seade kasutab tuleohhtlikku külmaainet. Kui külmaaine seadmest välja lekib ja puutub kokku tule või küttekehaga, tekitab see kahjulikku gaasi ja tuleohtu.
		Enne kasutamist lugege KASUTUSJUHEND tähelepanelikult läbi.
		Hoolduspersonal peab enne kasutamist KASUTAMISJUHISE ja PAIGALDUSJUHENDI põhjalikult läbi lugema.
		KASUTAMISJUHIS ja PAIGALDUSJUHEND sisaldavad lisateavet.

1-1. OHUTUSE TAGAMISEKS PEAB ALATI JÄRGIMA ALLTOODUT

- Enne õhksoojuspumba paigaldamist lugege kindlasti peatükki „OHUTUSE TAGAMISEKS PEAB ALATI JÄRGIMA ALLTOODUT“.
- Järgige kindlasti siin toodud hoiatusi ja ettevaatusabinõusid, sest need sisaldavad ohutusega seotud olulist teavet.
- Pärast käesoleva juhendi lugemist hoidke seda edaspidiseks kasutamiseks KASUTUSJUHENDI läheduses.

⚠ HOIATUS! (Võib lõppeda surmaga, tõsiste kehavigastustega jne.)

- **Ärge paigaldage seadet ise (kasutaja).** Puudulik paigaldus võib põhjustada tulekahju, elektrilöögi, kukkuvast seadmest tuleneva vigastuse või veelekke. Pidage nõu edasimüüjaga, kellelt seadme ostsite, või volitatud paigaldajaga.
- **Paigaldage turvaliselt, järgides paigaldusjuhendit.** Puudulik paigaldus võib põhjustada tulekahju, elektrilöögi, kukkuvast seadmest tuleneva vigastuse või veelekke.
- **Seadet paigaldades kasutage ohutuse tagamiseks sobivat kaitsevarustust ja tööriistu.** Muidu võivad tulemuseks olla vigastused.
- **Paigaldage seade turvaliselt kohta, mis suudab seadme raskust kanda.** Kui paigaldamise asukoht ei suuda seadme raskust kanda, võib seade alla kukkuda ja vigastusi tekitada.
- **Paigaldusjuhendi kohaselt peaks elektritööd tegema kvalifitseeritud ja kogunud elektrik. Kasutage kindlasti eraldi vooluahelat. Ärge ühendage vooluahelasse teisi elektriseadmeid.** Kui toiteahela võimsus ei ole piisav või on elektritööd lõpetamata, võib olla tulemuseks tulekahju või elektrilöögi.
- **Maandage seade korralikult.** Ärge ühendage maandust gaasitoru, veetoru, piksevarda ega telefoni maanduse külge. Vigane maandamine võib põhjustada elektrilöögi.
- **Ärge kahjustage juhtmeid neile osade või kruvidega liigset survet rakendades.** Kahjustatud juhtmed võivad põhjustada tulekahju või elektrilöögi.
- **Siseruumides asuva P.C.-plaadi või juhtmete paigaldustööde korral lülitage kindlasti peatoide välja.** Muidu võib põhjustada elektrilöögi.
- **Kasutage sise- ja välisseadmete turvaliseks ühendamiseks vastavaid juhtmeid ja kinnitage need kindlalt terminaliploki ühendusosade külge, nii et juhtmete surve ei rakenduks osadele. Ärge pikendage juhtmeid ega kasutage vaheühendust.** Puudulik ühendamine ja kinnitamine võib põhjustada tulekahju.
- **Ärge paigaldage seadet kohta, kus võib esineda tuleohhtliku gaasi lek.** Kui lekkiv gaas koguneb seadme ümber, võib see põhjustada plahvatuse.
- **Ärge kasutage toitekaabli vaheühendust ega pikendusjuhet ja ärge ühendage ühte vahelduvvoolu pistikupesasse mitut seadet.** See võib põhjustada defektse pistikupesaga, vigase isolatsiooni, lubatud voolutugevuse väärtuse ületamise jms tõttu tulekahju või elektrilöögi.
- **Kasutage kindlasti kaasas olevaid või spetsiaalseid paigaldustöödeks mõeldud osasid.** Defektsete osade kasutamine võib põhjustada vigastusi või veelekke tulekahju tagajärjel, elektrilöögi, seadme kukkumise jne.
- **Toitepistikü ühendamisel pistikupesasse veenduge, et pistikupesas ja pistikul ei oleks tolmu, ummistusi ega lahtiseid osasid. Veenduge, et toitepistik lükatase täielikult pistikupesasse.** Kui toitepistikul või pistikupesas on tolmu, ummistusi või lahtiseid osasid, võib see põhjustada elektrilöögi või tulekahju. Kui toitepistikul on lahtiseid osasid, vahetage see välja.
- **Kinnitage elektrikate tugevalt siseseadme ja hoolduspaneel välisseadme külge.** Kui siseseadme elektrikate ja/või välisseadme hoolduspaneel ei ole tugevalt kinnitatud, võib tulemuseks olla tolmu, vee vmt tõttu tekkinud tulekahju või elektrilöögi.
- **Seadme paigaldamise, ümber paigutamise või hooldamise korral peate tagama, et külmutusahelasse ei satuks muud ainet peale ettenähtud külmaaine (R32/R410A).** Võõra (nt õhk) olemasolu korral võib rõhk tõusta liiga kõrgeks ja põhjustada plahvatuse või vigastuse. Ettenähtust erineva külmaaine kasutamine võib põhjustada süsteemis mehaanilise tõrke, talitlushäire või rikke. Halvimal juhul ei ole seetõttu võimalik tagada toote ohutust.
- **Ärge muutke seadet.** Seadme muutmine võib põhjustada tulekahju, elektrilöögi, vigastusi või veeleket.
- **Ärge laske külmaainet atmosfääri. Kui külmaaine paigaldamise ajal lekib, tuulutage ruum.** Pärast paigaldamise lõpetamist kontrollige, et külmaaine ei lekiks. Kui külmaaine lekib ja see puutub kokku tule või küttekehaga (nt soojapuhur, õliradiaator, pliit), tekitab see kahjulikku gaasi. Tuulutamine standardi EN378-1 kohaselt.
- **Kasutage paigaldamiseks sobivaid tööriistu ja torumaterjale.** R32/R410A rõhk on 1,6 korda suurem kui R22 oma. Sobivate tööriistade või materjalide mittekasutamine ja puudulik paigaldamine võib põhjustada torude lõhkemise või vigastuse.
- **Kui külmaainehelas on leke, siis ärge käivitage allpumpamist kompressoriga. Külmaainet pumbates peatage kompressor enne külmaaine torude lahtiühendamist.** Kui külmaaine torud ühendatakse lahti ajal, kui kompressor töötab ja sulgventiil on avatud, võib õhk torudesse sattuda ja rõhk jahutusüksis liiga kõrgeks muutuda. See võib põhjustada torude lõhkemise või vigastuse.
- **Paigaldage rikkevoolukaitseüliliit olenevalt paigalduskohast.** Kui rikkevoolukaitseüliliit ei ole paigaldatud, võib see põhjustada elektrilöögi.
- **Seadet paigaldades kinnitage külmaaine torud tugevalt enne kompressori käivitamist.** Kui kompressor käivitatakse enne külmaaine torude ühendamist ja sulgventiil on avatud, võib õhk torudesse sattuda ja rõhk jahutusüksis liiga kõrgeks muutuda. See võib põhjustada torude lõhkemise või vigastuse.
- **Kinnitage laiendusmutter dünamomeetrilise võtmega nii, nagu on kirjeldatud selles juhendis.** Liiga tugeva pingutamise tagajärjel võib laiendusmutter pärast pikemat perioodi puruneda ja põhjustada külmaaine lekke.
- **Seade tuleb paigaldada riiklike elektripaigaldustööde eeskirjade kohaselt.**
- **Gaasipõleti või muu leeki tekitava seadme kasutamisel eemaldage kogu külmaaine täielikult õhksoojuspumbast ning veenduge, et ala oleks korralikult tuulutatud.** Kui külmaaine seadmest välja lekib ja tule või küttekehaga kokku puutub, tekitab see kahjulikku gaasi ja tuleohtu.
- **Ärge kasutage sulatamisprotsessi kiirendamiseks ega puhastamiseks muid meetodeid peale nende, mida on tootja soovitanud.**
- **Seadet tuleb hoida ruumis, kus ei ole pidevalt töötavaid süüteallikaid (nt avatud leegid, töötav gaasipõleti või elektriradiaator).**
- **Ärge tõrgake neid läbi ega põletage.**
- **Teadke, et külmaaine ei pruugi sisaldada lõhnaainet.**
- **Torustik peaks olema kaitstud füüsiliste vigastuste eest.**
- **Torustiku paigaldus tuleks hoida miinimumi lähedal.**
- **Jälgida tuleb vastavust riiklikele gaasieeskirjadele.**
- **Hoidke vajalikud tuulutavad takistustest puhtana**
- **Hoidke gaasipõletiga seadmed, elektrilised kütteseadmed ja muud tuleallikad (süüteallikad) eemal aladest, kus teostatakse paigaldus-, remont- ning teisi õhksoojuspumbal tehtavaid töid.**
- **Seadet tuleb hoida hea ventilatsiooniajal, kus ruumi suurus vastab töötamise jaoks ettenähtud ruumi alale.**
- **Ärge lülitage kaitseüliliit VÄLJA, välja arvatud põlemise lõhna, hoolduse või ülevaatuse korral.** Siseseadmesse paigaldatud jahutusandur ei saa voolu ja andur ei suuda tuvastada külmaaine lekkeid. See võib põhjustada tulekahju.
- **Kinnitage ühenduskaabel kindlalt ettenähtud kohale.** Vale paigaldamine võib põhjustada elektrilöögi, süttimise ja/või rikke.

⚠ ETTEVAATUST! (Teatud keskkondades võib valesti kasutamise korral tekitada tõsiseid vigastusi.)

- **Tehke äravoolu/torude paigaldustööd turvaliselt, järgides paigaldusjuhendit.**
Kui äravoolu/torude paigalduses on viga, võib vesi seadme väljast välja pääseda, teha majapidamistarbed märjaks ja neid kahjustada.
- **Ärge puudutage välisseadme õhu sissevõtuava ega alumiiniumribisid.**
See võib tekitada vigastuse.
- **Välisseadme alust puudutades tuleb kanda kaitsevahendeid.**
Ilma kaitsevahenditeta võib see põhjustada vigastusi.

- **Ärge paigaldage välisseadet väikeste loomade elupaika.**
Kui väikeste loomade sisenevad seadmesse ja puudutavad seadme sees olevaid elektrikomponente, võib see põhjustada rikke, tekitada suitsu või tulekahju. Samuti soovitage kasutajal hoida seadme ümbrus puhtana.
- **Ärge kasutage õhksoojuspumpa sisemiste ehitus- ja viimistlustööde ega põrandavahetamise ajal.**
Enne kui sellise töö järel õhksoojuspumpa kasutate, õhutage ruumi korralikult. Muidu võivad lenduvad osakesed õhksoojuspumba sisemusse kleepuda, mille tagajärjel võib seadmes tekkida veeleke või kastevee kogunemine.

- **Ärge paigaldage seadet kohta, kus võib esineda suitsu, gaasi või ravimi leket.**
Siseseadmesse paigaldatud külmaaine andur võib sellele reageerida ja kuvada külmaaine lekke vea.
- **Kui kaitseüliti on SISSE lülitatud, olge pöörleva ventilaatoriga ettevaatlik.**
Kui külmaaine andur tuvastab külmaaine lekke, hakkab ventilaator automaatselt pöörlema. See võib põhjustada vigastusi.
- **Kui kasutate sisemiste ehitus- või viimistlustööde tegemisel või seinavaa tühimiku tihendamisel aerosoolpihuseid, lülitage kaitseüliti välja ja õhutage ruum korralikult.** Külmaaineandur võib reageerida pihustes oleva gaasiga, mis võib põhjustada valetuvastust.

1-2. PAIGALDAMISE ASUKOHA VALIMINE

Käesolev juhend kirjeldab ainult siseseadme paigaldamist.

Välisseadme paigaldamisel järgige välisseadme paigaldusjuhendit.

SISESEADE**⚠ HOIATUS!****Seade tuleks paigaldada ruumidesse, mille põrandapind on suurem kui välisseadme paigaldusjuhendis näidatud.**

- Vaadake välisseadme paigaldusjuhendit.

Siseseadmete paigaldamisel peavad olema täidetud järgmised tingimused:

- Kohad, kus õhuvool ei ole blokeeritud.
- Kohad, kus jahe (või soe) õhk levib üle kogu ruumi.
- Jäik sein, ilma vibratsioonita.
- Kohad, kus see ei puutu kokku otsese päikesevalgusega. Ärge paigutage otsese päikesevalguse kätte ka lahtipakkimise ja kasutamise vahelisel ajavahemikul.
- Kohad, kus on võimalik kergesti tühjendada.
- Telerist ja raadiost vähemalt 1 m kaugusel. Õhksoojuspumba kasutamine võib häirida raadio- või telerisignaali. Mõjutatud seadme jaoks võib olla vaja kasutada võimendit.
- Kohad, mis on halogeen- ja hõõglampidest võimalikult kaugel. Selleks et infrapunakaugjuhtimispuul õhksoojuspumpa normaalselt juhiks. Tuledest eralduv kuumus võib põhjustada deformeerumist ning ultraviolettkirgus võib põhjustada kahjustumist.
- Kohad, kus õhufiltri saab kerge vaevaga eemaldada ja asendada.
- Kohad, kus see on eemal muudest kuumus- või auruallikatest.
- Ärge paigaldage seadet keskkonda, kus kasutatakse propaani, butaani või metaani sisaldavaid gaasiseadmeid, pihusteid, nagu putukatõrjevahendid, suitsu tekitavaid seadmeid, katemateriale ja ravimeid, ning samuti kohta, kus tekib väävlipõhist gaasi.
- Siseseadmesse paigaldatud külmaaine andur võib sellele reageerida ja kuvada külmaaine lekke vea. See võib põhjustada seadme mittetöötamist.

KAUGJUHTIMISPUUL

Kaugjuhtimispuuldi eelistatud hoiutingimused on järgmised:

- Kohad, kus seda on lihtne kasutada ja kus see on kergesti nähtav.
- Kohad, kus lapsed ei saa seda puudutada.
- Valige asukoht umbes 1,2 m põrandast kõrgemal ja kontrollige, et kaugjuhtimispuuldi signaal jõuaks sellest asukohast kindlasti siseseadmeni (helid „piiks” või „piiks-piiks”).

Märkus:

tubades, kus kasutatakse inverter-tüüpi halogeenitulesid, ei pruugi seade juhtmevaba kaugjuhtimispuuldi signaali kätte saada.

Märkus:

Vältige paigaldamisel järgmiseid asukohti, kus õhksoojuspumbaga võib esineda probleeme.

- Kohad, kus võib lekkida süttivat gaasi.
- Kohad, kus on palju masinaõli.
- Kohad, kus pritsib õli või õhus on õline suits (nt toiduvalmistamise alad ja tehased, kus plasti omadused võivad muutuda ja see võib kahjustuda).
- Soolarikad kohad, nagu mererannik.
- Kohad, kus tekib sulfiidgaasi, nagu kuumaveeallikad, kanalisatsioon, reovesi.
- Kohad, kus on kasutusel kõrgsageduslikud või raadioseadmed.
- Kohad, kus on lenduvate orgaaniliste ühendite kõrge heitetase, sealhulgas ftalaadid, formaldehüüd jne, mis võivad tekitada keemilisi pragusid.
- Seadet tuleb hoiundada nii, et see ei saaks mehaanilisi kahjustusi.

Ühendades välisseadmega, mis kasutab R32 külmaainet, paigaldage siseseade ruumi, mille põrandapinna väärtus on Amin või suurem, mis vastab külmaainele M (tehases täidetud külmaaine + kohapeal lisatud külmaaine). Külmaaine koguse ja lisatava külmaaine täitmise kohta vaadake välisseadme jaotist.

M [kg]	Amin [m ²]	
1,00	Nõuded puuduvad	
1,10		
1,20		
1,30		
1,40		
1,50		
1,60		
1,70		
1,80		
1,84		3,63
1,90		3,75
2,00		3,95
2,10		4,15
2,20	4,34	
2,30	4,54	
2,40	4,74	

Külmaainega täitmisel järgige välisseadme paigaldusjuhendit.

1-3. TEHNILISED ANDMED

Mudel	Toiteallikas *1		Juhtme spetsifikatsioonid *2	Toru suurus (paksus *3, *4, *5, *6)		Isolatsiooni paksus *7, *8
	Nimipinge	Sagedus		Gaas	Vedelik	
MFZ-KT25VG	230 V	50 Hz	4 soonega 2,0 mm ²	ø9,52 mm (0,8 mm)	ø6,35 mm (0,8 mm)	14 mm
MFZ-KT35VG				ø12,7 mm (0,8 mm)		
MFZ-KT50VG				ø15,88 mm (0,8 mm)		
MFZ-KT60VG						

*1 Ühendage toiteallika faasi katkestamiseks toitelüliti, millel on avatuna 3 mm või laiem vahe. (Kui toitelüliti on välja lülitatud, peab see katkestama kõik faasid.)

*2 Kasutage juhtmeid, mis vastavad standardile 60245 IEC 57.

*3 Ärge mitte kunagi kasutage torusid, mille paksus on ettenähtust väiksem. Vastupanu survele võib olla ebapiisav.

*4 Kasutage vasktoru või vaskulamist liitekohtadeta toru.

*5 Ärge muljuge ega väänake toru selle painutamise ajal.

*6 Külmaaine toru painumisraadius peab olema 100 mm või üle selle.

*7 Isolatsioonimaterjal: Kuumakindel vahtplast erikauluga 0,045

*8 Kasutage kindlasti ettenähtud paksusega isolatsiooni. Üleliigne paksuse tagajärjeks võib olla siseseadme vale paigaldus ja ebapiisava paksuse tagajärjeks kastevee kogunemine.

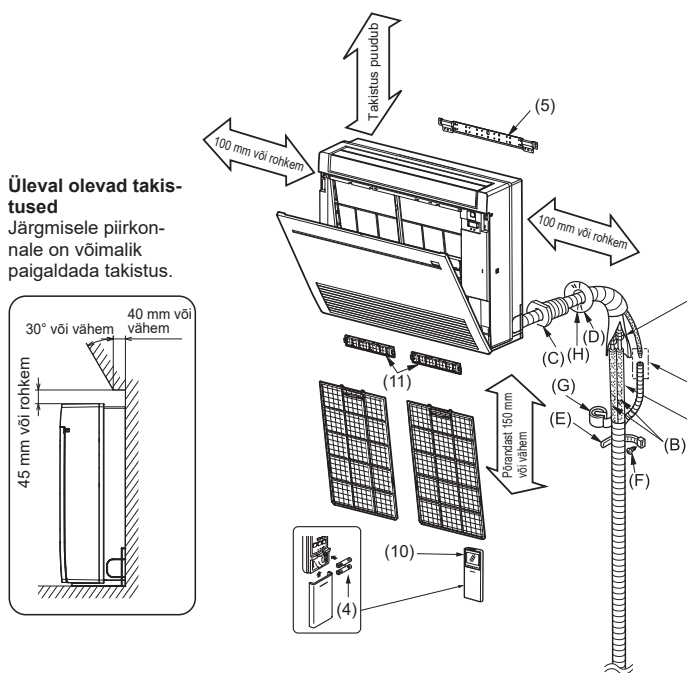
1-4. PAIGALDAMISE JOONIS

Välisseadmete paigaldamisel järgige välisseadme paigaldusjuhendit.

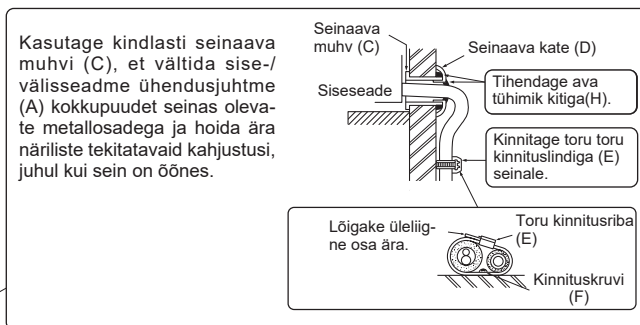
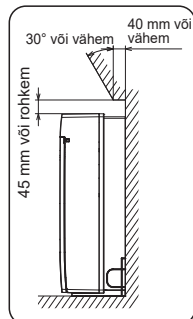
Torustiku tehniliste andmete tabelis ei ole täpsustatud minimaalset reakomplekti pikkust.

Siiski võivad siseseadmed, mille ühendatud torustiku pikkus on alla 3 m, põhjustada süsteemi tavapärase töötamise ajal väga vaiksetes keskkondades vahelduvat müra.

Palun arvestage seda olulist teavet, kui paigutate või paigaldate siseseadet konditsioneeritavasse ruumi.



Üleval olevad takistused
Järgmisele piirkonnale on võimalik paigaldada takistus.



Pärast lekkekontrolli kandke isolatsioonimaterjal tihedalt peale, nii et ei jääks tühimi.

Katke ühendusosa teibiga, et vältida vee lekkimist.

Kui torud tuleb kinnitada metalli (tinatud) või metallvõrku sisaldavale seinale, kasutage seina ja torude vahel 20 mm paksust või paksemat keemiliselt töödeldud puidutükki või mähkige isolatsiooniks ümber torude vinüülteip. Olemasolevate torude kasutamiseks tehke 30 minuti vältel jahutamine (COOL) ja pumbake enne vana õhksoojuspumba eemaldamist tühjaks. Tehke laiendus uuesti, võttes arvesse uue külmaaine kogust.

⚠ HOIATUS!
Tuleohtu vältimiseks sisestage külmaaine torud või kaitske neid. Külmaaine torude välised kahjustused võivad tekitada tulekahju.

Seadmed peab paigaldama litsentseeritud töövõtja kooskõlas kohalike regulatsioonidega.

LISATARVIKUD

Enne paigaldamist kontrollige järgmiste osade osasid.

(1) Äravooluvoolik*	1
(2) Torukate	1
(3) Võru	2
(4) AAA-patarei (10) jaoks	2
(5) Siseseadme kinnitusklamber	1
(6) Kinnituskrugi (5) jaoks 4 × 25 mm	5
(7) Puidukruvi siseseadme kinnitamiseks	4
(8) Seib (7)	4
(9) Vildilint (vasakpoolsele või vasakul taga paiknevale torustikule)	1
(10) Juhtmevaba kaugjuhtimiseseade	1
(11) Õhupuhasfilter	2
(12) Liigendtoru (ainult KT60)	1
(13) Torukate liigendtorule (ainult KT60)	1
(14) Kaitselüliti silt	1
(15) Kaitselüliti märguanne	1

* Märkus:

Äravooluvoolik on seadmega ühendatud.

TEIE OBJEKTILE TOODAVAD OSAD

(A) Sise-/välisseadme ühendusjuhe*	1
(B) Pikendustoru	1
(C) Seinavaava muhv	1
(D) Seinavaava kate	1
(E) Toru kinnitusriba	2 kuni 5
(F) Kinnituskrugi (E) jaoks 4 × 20 mm	2 kuni 5
(G) Toruteip	1
(H) Kilt	1
(J) Äravooluvoolik (või pehme PVC-voolik, 15 mm siseläbimõõduga, või kova PVC-toru VP16)	1 või 2
(K) Toitejuhe*	1
(L) Võru (vaid Wi-Fi liidesega ühendus)	2

* Märkus:

Paigutage sise-/välisseadme ühendusjuhe (A) ja toitejuhe (K) vähemalt 1 m kaugusele teleri antennijuhetest.

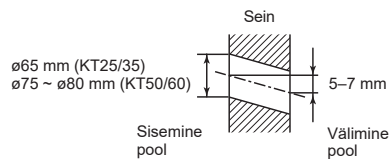
2. SISESEADME PAIGALDAMINE

2-1. SISESEADME KINNITUSKLAMBRI KINNITAMINE

- Ärge paigaldage siseseadet kohta, mis on kõrgemal kui 150 mm.
- Leidke seinale konstruktsioonimaterjal (nt naast) ja kinnitage kinnitusklamber (5) horisontaalselt kinnituskruididega (6).
- Paigaldusplaadi (5) vibreerimise ärahoidmiseks paigaldage kinnituskruid kindlasti joonisel näidatud aukudesse. Lisatoetuseks võib kinnituskruid paigaldada ka teistesse aukudesse.

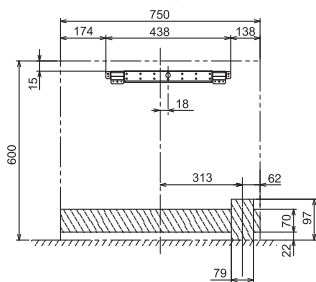
2-2. AVA PUURIMINE

- 1) Määrake seinavaa asukoht.
- 2) Puurige 65 mm diameetriga ava (KT50/60 puhul 75 ~ 80 mm). Väljaspool peaks auk olema 5–7 mm madalamal kui seespool.
- 3) Sisestage seinavaa muhv (C).

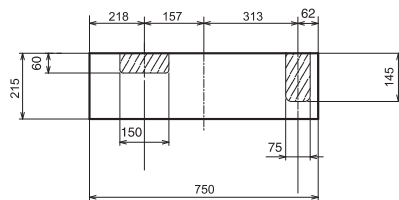


AVADE ASUKOHAD

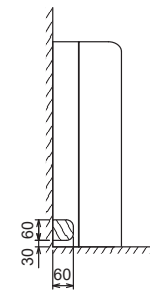
**TAGUMISELE VÕI VASAKUL TAGA
PAIKNEVALE TORUSTIKULE**
(Järgnev joonis on siseseadme paigalduskoha eestvaade.)



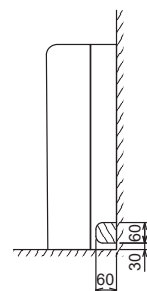
**PAREMPOOLSELE ALUMISELE VÕI VASAK-
POOLSELE ALUMISELE TORUSTIKULE**
(Järgnev joonis kujutab ülaltpoolt siseseadme alumist osa.)



**VASAKPOOLSELE
TORUSTIKULE**



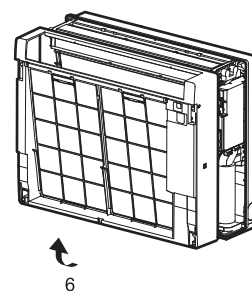
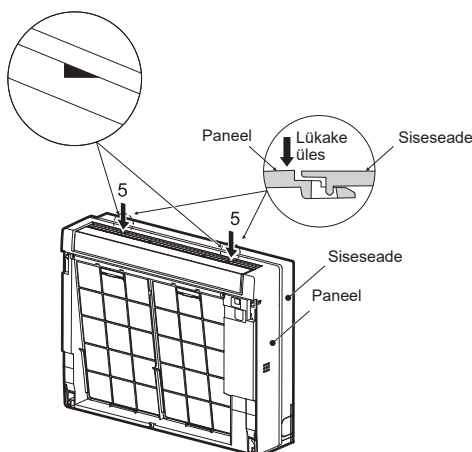
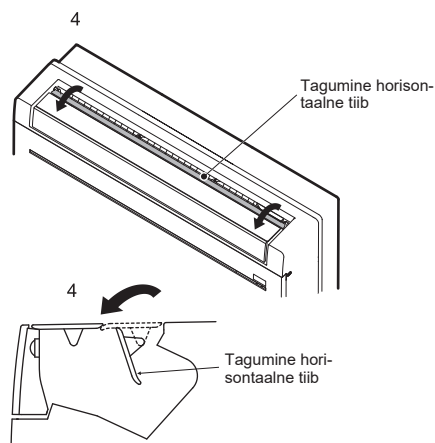
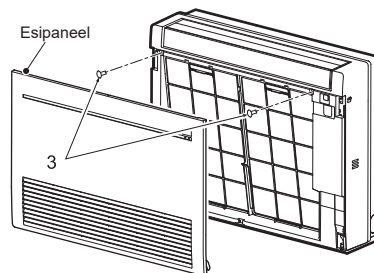
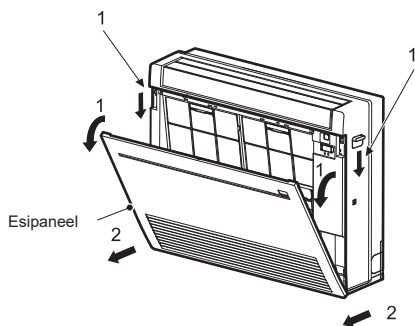
**PAREMPOOLSELE
TORUSTIKULE**



2-3. SISESEADME ETTEVALMISTAMINE

Eemaldage siseseadme esipaneel.

- 1) Esipaneeli avamiseks lükake seadme mõlemal küljel olevat saki alla.
- 2) Esipaneeli eemaldamiseks tõmmake see enda poole.
- 3) Eemaldage 2 kruvi.
- 4) Avage tagumine horisontaalne tiib.
- 5) Lükake 2 lokatsiooni paneeli ülaosas ja tõmmake seejärel paneeli ülemist osa enda poole.
- 6) Eemaldage paneel, tõstes seda üles (veidi).



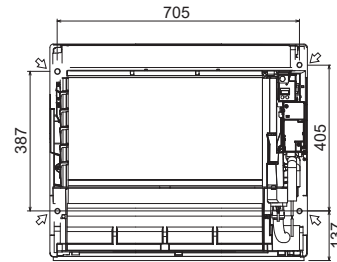
2-4. SISESEADME PAIGALDAMINE

2-4-1. SISESEADME PAIGALDAMINE PÕRANDALE

- 1) Asetage siseseade tasasele põrandale.
- 2) Kinnitage siseseade 4 punktis kaasasolevate puidukruvide (7) ja seibidega (8). Kinnitage kruvid korralikult.

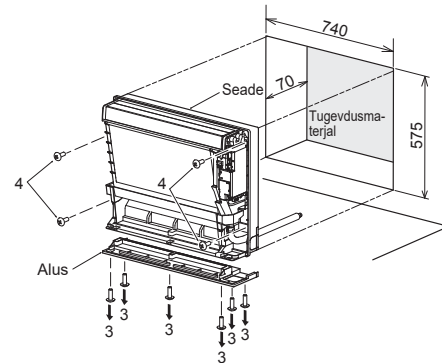
2-4-2. SISESEADME RIPUTAMINE SEINALE

- 1) Kinnitage siseseadme ülemine osa sisemooduli kinnitusklambri (5).
- 2) Kinnitage siseseade 4 punktis kaasasolevate puidukruvide (7) ja seibidega (8). Kinnitage kruvid korralikult.



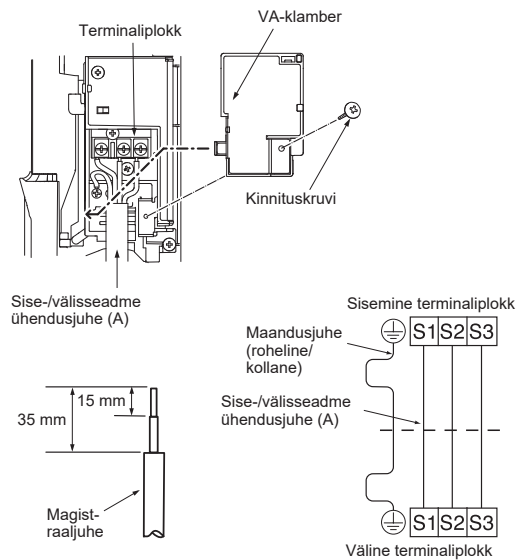
2-4-3. SISESEADME SEINALE KINNITAMINE

- 1) Tehke seina sisse ava.
- 2) Reguleerige tugevdusmaterjaliga sügavust.
- 3) Eemaldage 6 kruvi, mis kinnitavad aluse seadme külge. Eemaldage alus seadme küljest.
- 4) Kinnitage siseseade 4 punktis kaasasolevate puidukruvide (7) ja seibidega (8). Kinnitage kruvid korralikult.



2-5. SISESEADME JUHTMETE ÜHENDAMINE

- 1) Eemaldage VA-klamber.
- 2) Juhtige sise-/välisseadme ühenduskaabel (A) sisemooduli tagaküljelt sisse ja töödelge traadi ots.
- 3) Lõdvendage terminalikurvi ja ühendage esmalt maandusjuhe, seejärel sise-/välisseadme ühendusjuhe (A) terminaliploki. Kontrollige, et te ei ühendaks juhtmeid valesti. Kinnitage juhe kindlalt terminaliploki külge nii, et ükski selle tuuma osa ei oleks nähtaval ja väliseid jõudusid ei edastataks terminaliploki ühendavasse ossa.
- 4) Keerake terminalikruvid tugevalt kinni, et need lahti ei tuleks. Pärast pingutamist tõmmake kergelt juhtmeid veendumaks, et need ei liigu.
- 5) Kinnitage sise-/välisseadme ühendus- (A) ja maandusjuhe VA-klambri. Ärge jätke mitte kunagi vasakut haaratsit VA-klambri külge kinnitamata. Kinnitage VA-klamber kindlalt.



- Tehke maandusjuhe teistest veidi pikem. (Üle 45 mm)
- Edaspidise hoolduse tarbeks andke ühendusjuhtmetele lisapikkust.
- Ärge voltige üleliigset juhet kokku ega suruge seda väikesesse ruumi. Ärge kahjustage juhtmeid.
- Pikendusjuhet ja/või juhet terminaliploki külge kinnitades paigutage iga kruvi kindlasti sellele vastava terminali külge.

⚠ HOIATUS!

Seadet paigaldades kinnitage külmaaine torud tugevalt enne kompressori käivitamist.

2-6. TORUDE PAIGUTAMINE JA PAIGALDUS

Märkus: vt punkti 3. OTSAMUHVI ÜHENDAMINE, TORUÜHENDUSED.

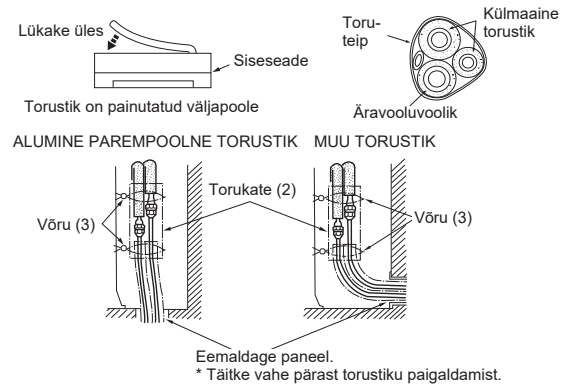
Torude paigutamine

- Suunake äravooluvoolik diagonaalselt ühendustorude alla.
- Veenduge, et äravooluvoolik ei oleks ülespoole suunatud ja et voolikus ei oleks laineid.
- Ärge tõmmake voolikut teibi pealepaneku ajal.
- Juhtige torustikku nii, et see ei ulatuks siseseadme tagaosast kaugemale. (Vt parempoolset joonist.)

Ühendustorude paigaldamine

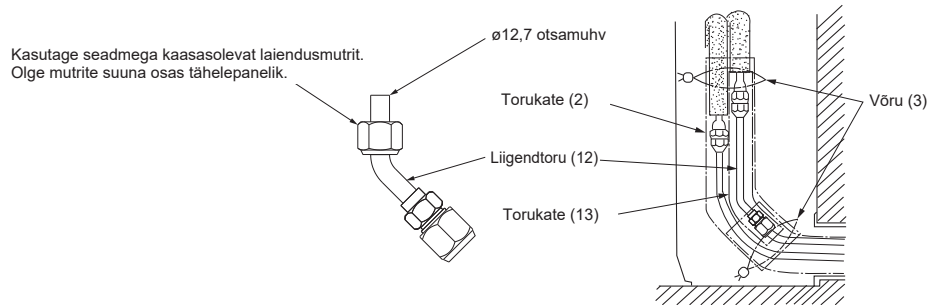
- Paigaldage ühendustorud nii, et torustik saaks liikuda veidi ette, taha, vasakule ja paremale.
- Kui paneel on eemaldatud, katke kindlasti torud nii, et pärast torustiku paigaldamist ei jääks osa torudest lahti.
- Täitke vahe pärast torustiku paigaldamist.

- Kindlasti isoleerige ühendustorud, et need ei puudutaks paneeli.
- Vältige ühendustorude painutamist nende ühendamise käigus.



Mudelile MFZ-KT60

- Kasutage kindlasti liigendtoru (12), muidu ei saa $\varnothing 15,88$ pikendustoru kinnitada.
- Libistage liigendtoru (12) $\varnothing 12,7$ otsamuhvi ja paigaldage torukate (13).



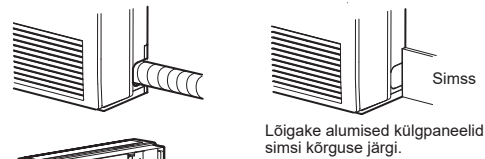
VASAKPOOLSELE VÕI VASAKUL TAGA PAIKNEVALE TORUSTIKULE

Ühendage ühendustorud äravooluvoolikuga ja seejärel katke need viildilindiga (9).

Lõigake ja kasutage siseseadme vasakul ja paremal küljel asuvaid alumisi külgpaneele, nagu allpool näidatud.

Siluge külgpaneelide lõigatud servi nii, et need ei kahjustaks isolatsioonikatet.

- Vasakpoolse või parempoolse torustiku jaoks
- Pihusti vastu seina paigutamine simsi abil

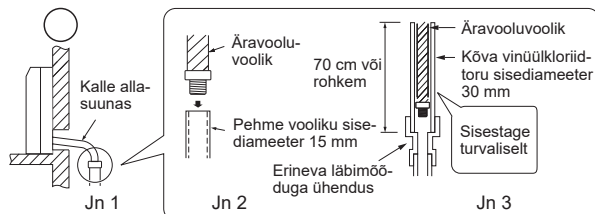


Mähkige viildilint (9) tihedalt torude ja vooliku ümber, alustades selle koha lähedalt, kust torud ja voolik siseseadme küljest väljuvad. (Viildilindi (9) ülekatte laius ei tohiks olla suurem kui 1/2 lindi laiusest.)

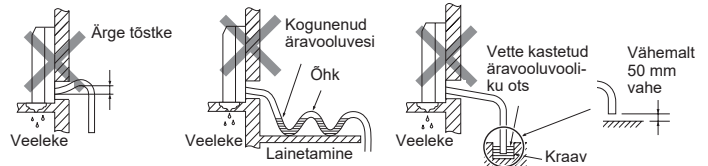


2-7. ÄRAVOOLUTORUD

- Kui pikendustoru peab minema läbi toa, mähkige see kindlasti kaubanduses müüdava isolatsiooni sisse.
- Äravooluvoolik peaks voolu paremaks ärajuhtimiseks olema suunatud allapoole. (Jn 1)
- Kui siseseadmega kaasas olev äravooluvoolik on liiga lühike, ühendage see äravooluvoolikuga (J), mis peaks teie objektil kättesaadav olema. (Jn 2)
- Toote äravooluvooliku ja pikendustoru (sisediameter 16 mm) vahelise ühenduse tihendamiseks kasutage teipi või muud materjali (J).
- Äravooluvooliku ühendamisel kõva vinüülkloriidtoru külge sisestage see kindlasti turvaliselt toru sisse. (Jn 3)

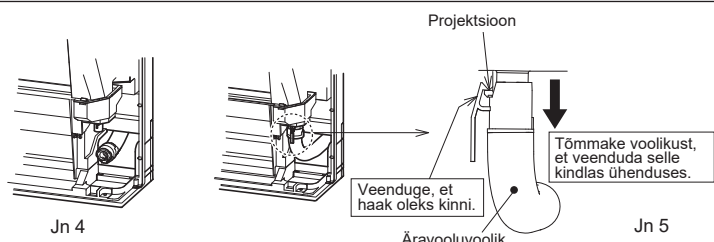


Ärge tehke äravoolutorusid allpool näidatud viisil.



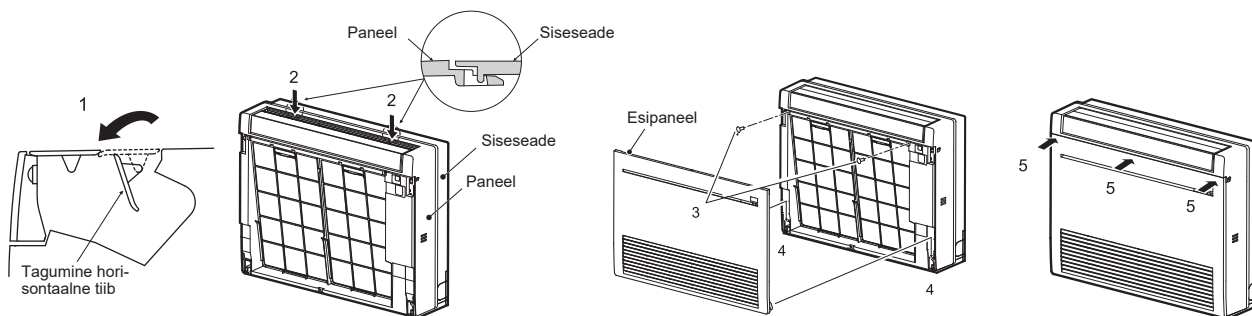
Äravooluvoolik eemaldatakse paigaldamisel.

- Äravoolutorustiku juhtimisel veenduge, et äravooluvoolik (1) oleks paigutatud joonise järgi. (Jn 4)
- Sisestage äravooluvoolik lõpuni äravoolukannu alusele (lõppühendus). (Jn 5)
- Veenduge, et äravooluvooliku haak oleks kindlalt kinnitatud äravooluklapi voolikukinnitusel.
- Pärast äravooluvooliku ühendamist tõmmake kindlasti voolikut, et veenduda selle kindlas ühenduses.



2-8. ESIPANEELI PAIGALDAMINE

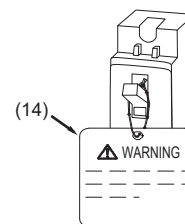
- 1) Avage tagumine horisontaalne tiib.
- 2) Kinnitage paneel. Veenduge, et haagid oleks haaratud.
- 3) Kinnitage paneel kruvidega.
- 4) Sisestage esipaneeli alumine osa.
- 5) Selle sulgemiseks vajutage esipaneeli ülemisele osale 3 kohast.



2-9. KUIDAS LISADA SILTI JA SELGITUST?

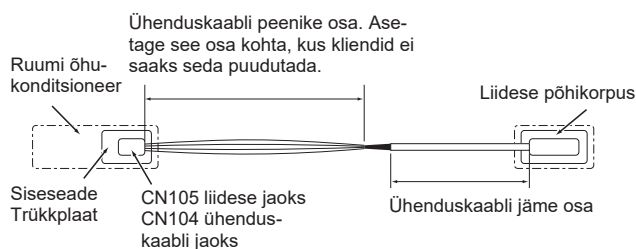
Kaitselüliti peab olema alati SISSE LÜLITATUD, välja arvatud hoolduse või ülevaatuse ajal. Riputage kaasasolev silt (14) või (15) kaitselülile ja selgitage seda klientidele. Kaitselüliti VÄLJA lülitamisel ei saa siseseadmesse paigaldatud jahutusandur voolu ja andur ei suuda tuvastada külmaaine lekkeid.

Märkus: kui juhtmestik eraldab sise-/välisseadme toiteallikad, riputage kaasasolev silt (14) või (15) sisemooduli kaitselüliti külge ning selgitage seda klientidele.

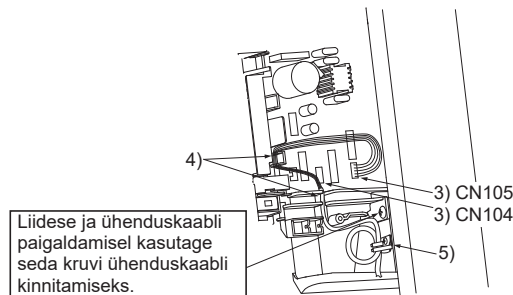


2-10. LIIDESE (valikuline) / ÜHENDUSKAABLI (valikuline) ÜHENDAMINE ÕHUKONDISITSIONEERIGA

- Ühendage liides/ühenduskaabel ühenduskaabli abiga õhukonditsioneeris siseseadme trükkplaadiga.
- Liidese/ühenduskaabli lõikamine või pikendamine toob kaasa kõrvalekalded ühenduses. Ärge pange ühenduskaableid kokku toitejuhtme, sise-/välisseadme ühendusjuhtme ja/või maadusjuhtmega. Hoidke ühenduskaabli ja nende juhtmete vahel võimalikult suur vahemaa.
- Ühenduskaabli peenike osa tuleb paigutada kohta, kus kliendid ei saaks seda puudutada.



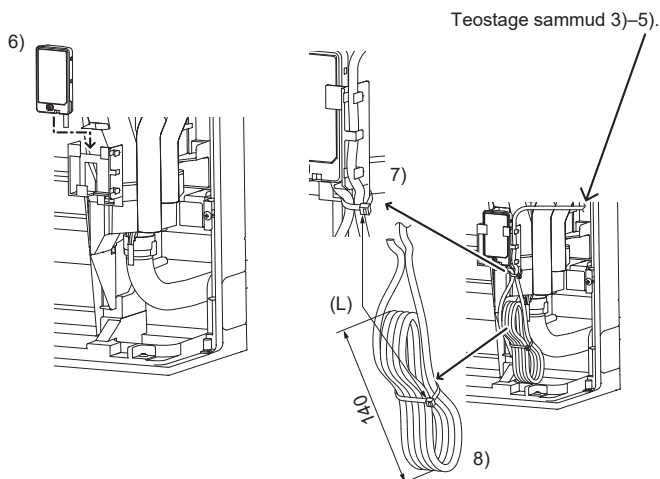
- 1) Eemaldage paneel.
- 2) Avage siseseadme juhtseadme trükkplaadi kate.
- 3) Ühendage ühenduskaabel siseseadme juhtseadme trükkplaadi osaga CN105 ja/või CN104.
- 4) Juhtige ühenduskaabel läbi joonisel näidatud koha.
- 5) Kinnitage liidese/ühenduskaabliga kaasasolev klamber ühenduskaabli jämeda osa külge ühe 4 × 16 kruviga, nagu joonisel näidatud.
- 6) Sulgege siseseadme juhtseadme trükkplaadi kate. Jälgige, et ühenduskaabli peenike osa ei jääks kaane vahele. Paigaldage paneel uuesti.



Märkus.

Wi-Fi liidese (valikuline) ühendamisel paigaldage liides hoidikusse, nagu joonisel näidatud. Reguleerige kaabli pikkust ja kaitke see kokku nii, nagu joonisel näidatud.

- 1) Eemaldage paneel.
- 2) Avage siseseadme juhtseadme trükkplaadi kate.
- 3) Ühendage ühenduskaabel siseseadme juhtseadme trükkplaadi osaga CN105.
- 4) Juhtige ühenduskaabel läbi joonisel näidatud koha.
- 5) Kinnitage liidese/ühenduskaabliga kaasasolev klamber ühenduskaabli jämeda osa külge ühe 4 × 16 kruviga, nagu joonisel näidatud.
- 6) Pange Wi-Fi liides hoidikusse.
- 7) Pange ühenduskaabel hoidikusse, seejärel kinnitage see võruga (L).
- 8) Kaitke ülejäänud kaabel võruga kokku (L). Kokkukeeratud osa peaks olema u 140 mm.
- 9) Sulgege siseseadme juhtseadme trükkplaadi kate. Jälgige, et ühenduskaabli peenike osa ei jääks kaane vahele. Paigaldage paneel uuesti.



⚠ HOIATUS!

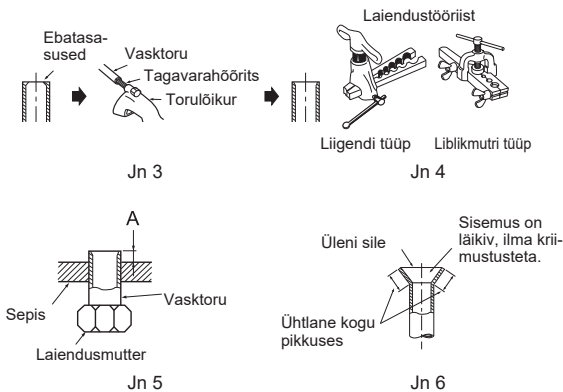
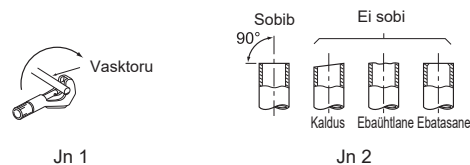
Kinnitage ühenduskaabel kindlalt ettenähtud kohale.
Vale paigaldamine võib põhjustada elektrilöögi, süttimise ja/või rikke.

3. OTSAMUHVI ÜHENDAMINE, TORUÜHENDUSED

3-1. LAIENDUSTÖÖ

- Lõigake vasktoru torulõikuriga õigesti. (Jn 1, 2)
- Eemaldage lõigatud toru ristlõikekelt täielikult kõik ebatasasused. (Jn 3)
 - Ebatasasusi eemaldades suunake vasktoru ots allapoole, et vältida lahti tulnud ebatasasuste kukkumist torudesse.
- Eemaldage sise- ja välisseadme külge kinnitatud laiendusmutrid, seejärel pange nad torule, millelt on ebatasasused eemaldatud. (Pärast laiendustöid ei ole neid võimalik peale panna.)
- Laiendustöö (Jn 4, 5). Hoidke vasktoru tugevalt tabelis näidatud moodus. Valige tabelist A mm, võttes arvesse kasutatavat tööriista.
- Kontrollige
 - Võrrelge laiendustööd joonisega Jn 6.
 - Kui laiendus on vigane, lõigake laiendatud osa ära ja tehke laiendustöö uuesti.

Toru läbimõõt (mm)	Mutter (mm)	A (mm)			Pingutusmoment	
		Liigenditööriista mudelile R32, R410A	Liigenditööriista mudelile R22	Liblikmutriga tööriista mudelile R22	N•m	kgf•cm
ø6,35 (1/4")	17	0 kuni 0,5	1,0 kuni 1,5	1,5 kuni 2,0	14 kuni 18	140 kuni 180
ø9,52 (3/8")	22				34 kuni 42	340 kuni 420
ø12,7 (1/2")	26			2,0 kuni 2,5	49 kuni 61	490 kuni 610
ø15,88 (5/8")	29				-	68 kuni 82



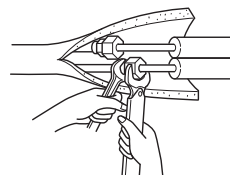
3-2. TORUÜHENDUS

- Kinnitage laiendusmutter dünamomeetrilise võtmega nii, nagu on näidatud tabelis.
- Liiga tugeva pingutamise tagajärjel võib laiendusmutter pärast pikemat perioodi puruneda ja põhjustada külmaaine lekke.
- Mähkige torude ümber kindlasti isolatsiooni. Vahetu kontakt paljaste torudega võib põhjustada põletusi või külmakahjustusi.

Siseseadme ühendamine

Ühendage nii vedeliku- kui ka gaasitorud siseseadmega.

- Ärge kandke jahutusõli kruvikeermetele. Liiga suur pingutusmoment võib kruvisid kahjustada.
- Ühendamiseks joondage esmalt keskosa, seejärel pingutage laiendusmutrit esimesed 3 kuni 4 pööret käsitsi.
- Kasutage ülaltoodud pingutusmomentide tabelit suunisena siseseadme külgmise komponendi ühendusosa puhul ning pingutage kahe mutrivõtmega abil. Üleliigne pingutamine kahjustab laiendusosa.



⚠ HOIATUS!
Seadet paigaldades kinnitage külmaaine torud tugevalt enne kompressori käivitamist.

⚠ HOIATUS!

Korduskasutatavad mehaanilised ühendused ja muhvotsliited ei ole siseruumides lubatud. Külmaaine torustiku ühendamisel kõvajoodisjootmisega tuleb selle asemel, et kasutada muhvühendusi, enne siseseadme ühendamist välisseadmega ära teha kõik kõvajoodisjootmised.

4. KONTROLLKÄIVITUS

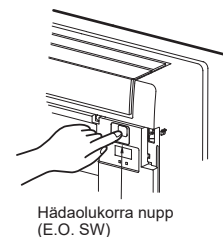
4-1. KONTROLLKÄIVITUS

Veenduge, et alljärgnev oleks tehtud.

- Paneel on paigaldatud õigesti.
 - Sise- ja välisseadmed on õigesti paigaldatud ning toide on olemas.
- Vajutage nuppu E.O. SW ühe korra jahutuse (COOL) käivitamiseks ja kaks korda kütmise (HEAT) käivitamiseks. Kontrollkäivitus toimub 30 minuti vältel. Kui töötamise näidiku vasakpoolne tuli vilgub iga 0,5 sekundi järel, kontrollige sise-/välisseadme ühendusjuhet (A) vale ühendamise suhtes. Kontrollkäivituse järel käivitus hädaolukorra režiim (määratud temperatuur 24 °C).
 - Toimingu peatamiseks vajutage nuppu E.O. SW mitu korda, kuni kõik LED-tuled kustuvad. Täpsemalt lugege kasutusjuhendist.

Kaugsignaali (infrapuna) vastuvõtu kontrollimine

- Vajutage kaugjuhtimisseadme (10) ON/OFF (sisse/välja) nuppu ja kontrollige, kas siseseadmest kostab elektrooniline heli. Õhksoojuspumba väljalülitamiseks vajutage uuesti ON/OFF (sisse/välja) nuppu.
- Kui kompressor peatub, töötab taaskäivituse vältimise seade, nii et õhksoojuspumba kaitsmiseks ei tööta kompressor 3 minuti vältel.



4-2. AUTOMAATSE TAASKÄIVITUSE FUNKTSIOON

See toode on varustatud automaatse taaskäivituse funktsiooniga. Kui elektritoide töötamise ajal katkeb (näiteks elektrikatkestuse ajal), alustab funktsioon automaatselt töötamise eelmise seadistusega, niipea kui elektritoide on taastunud. (Täpsemalt lugege kasutusjuhendist.)

Ettevaatust!

- Pärast kontrollkäivitust või kaugjuhtimisignaali vastuvõtu kontrollimist lülitage enne toite väljalülitamist seade nupust E.O. SW või kaugjuhtimispuldist välja. Selle tegemata jätmise korral käivitus seadme töö toite taastumisel automaatselt.

Kasutajale

- Pärast seadme paigaldamist selgitage kasutajale kindlasti automaatse taaskäivitamise funktsiooni.
- Kui automaatse taaskäivitamise funktsioon ei ole vajalik, saab selle inaktiveerida. Funktsiooni inaktiveerimiseks pidage nõu hooldusspetsialistiga. Täpsemalt lugege hooldusjuhendist.

4-3. SELGITUS KASUTAJALE

- Selgitage KASUTUSJUHENDI abil kasutajale, kuidas õhksoojuspumba kasutada (kuidas kasutada kaugjuhtimispulti, kuidas eemaldada õhufiltreid, kuidas eemaldada kaugjuhtimispulti kaugjuhtimispuldi hoidikust ja panna sinna tagasi, kuidas puhastada, ettevaatusabinõud kasutamisel jne).
- Soovitage kasutajal KASUTUSJUHEND hoolikalt läbi lugeda.

5. TÜHJAKS PUMPAMINE

Tutvuge välisseadme paigaldusjuhendis kirjeldatud protseduuridega.

HOIATUS!

Kui külmaaineahelas on leke, siis ärge käivitage allapumpamist kompressoriga. Külmaainet alla pumbates peatage kompressor enne külmaaine torude lahtiühendamist. Kompressor võib lõhkeda, kui sellesse pääseb õhk vmt.

SATURS

1. PIRMS MONTĀŽAS	1
2. IEKŠĒJĀS IEKĀRTAS MONTĀŽA.....	4
3. PAPLAŠINĀJUMU SAVIENOJUMI, CAURUĻU SAVIENOJUMI.....	8
4. DARBINĀŠANA TESTA REŽĪMĀ.....	8
5. ATSŪKNĒŠANA.....	9

Modeļu nosaukumi norādīti sadaļā 1-3.





Šajā montāžas rokasgrāmatā ir aprakstīta tikai iekšējā iekārta. Lai uzzinātu, kā uzstādīt ārējās iekārtas, skatiet ārējo iekārto montāžas rokasgrāmatu.

Montāžai vajadzīgie darbarīki

Krustskrūvgrīzis	Cauruļu paplašinātājs (R32, R410A)
Līmeņrādis	Manometriskais kolektors (R32, R410A)
Mērs	Vakuumsūkņi (R32, R410A)
Celtniecības nazis vai šķēres	Uzpildes šļūtene (R32, R410A)
75 mm cilindriskais zāģis	Cauruļu griezējs ar rīvurbi
Momentatslēga	Ūdens pudele
Uzgrīzēju atslēga	0,9–1,0 l ūdens

1. PIRMS MONTĀŽAS

UZ IEKŠĒJĀS UN/VAI ĀRĒJĀS IEKĀRTAS IZVIETOTO SIMBOLU NOZĪME

	BRĪDINĀJUMS (Aizdegšanās risks)	Iekārtā izmantots uzliesmojošs aukstumaģents. Ja aukstumaģents noplūst un nokļūst saskarē ar liesmu vai sildelementu, rodas bīstama gāze; pastāv aizdegšanās risks.
		Pirms lietošanas rūpīgi izlasiet LIETOŠANAS INSTRUKCIJAS.
		Pirms darba sākšanas apkopes speciālistiem ir rūpīgi jāizlasa LIETOŠANAS INSTRUKCIJAS un MONTĀŽAS ROKASGRĀMATĀ.
		Plašāka informācija ir pieejama LIETOŠANAS INSTRUKCIJĀS, MONTĀŽAS ROKASGRĀMATĀ un līdzīgos dokumentos.

1-1. LAI GARANTĒTU DROŠĪBU, VIENMĒR IR JĀIEVĒRO TĀLĀK MINĒTIE NORADĪJUMI

- Pirms gaisa kondicionētāja montāžas izlasiet sadaļu „LAI GARANTĒTU DROŠĪBU, VIENMĒR IR JĀIEVĒRO TĀLĀK MINĒTIE NORADĪJUMI”.
- Ievērojiet šeit sniegtos brīdinājumus un norādījumus, jo tajos izklāstīta būtiska informācija par drošību.
- Kad šī rokasgrāmata ir izlasīta, glabājiet to kopā ar LIETOŠANAS INSTRUKCIJĀM turpmākai atsaucēi.

⚠ BRĪDINĀJUMS (Var izraisīt nāvi, smagas traumas u. c. negadījumus.)

- **Iekārto nedrīkst uzstādīt pašrocīgi (nespeciālisti).**
Nepareizas montāžas gadījumā pastāv aizdegšanās, elektrotrieciens, ūdens noplūdes risks un traumatisma risks, iekārtai nokrītot. Konsultējieties ar izplatītāju, no kura iegādājāties iekārtu, vai ar kvalificētu meistaru.
- **Montāža ir jāveic rūpīgi, ievērojot norādes montāžas rokasgrāmatā.**
Nepareizas montāžas gadījumā pastāv aizdegšanās, elektrotrieciens, ūdens noplūdes risks un traumatisma risks, iekārtai nokrītot.
- **Lai iekārtas montāža noritētu droši, izmantojiet piemērotu aizsargaprīkojumu un darbarīkus.**
Pretējā gadījumā pastāv traumatisma risks.
- **Uzstādi iekārtu drošā vietā, kas spēj noturēt iekārtas svaru.**
Ja montāžas vieta nespēj noturēt iekārtas svaru, iekārta var nokrist un radīt traumas.
- **Elektromontāžas darbus jāuztiek kvalificētam un pieredzējušam elektrīķim, un darba gaitā ir jāievēro norādes montāžas rokasgrāmatā.**
Noteikti izmantojiet atvērto tīkla kontūru. Šim kontūram nepieslēdziet citas elektroierīces.
- **Ja tīkla kontūrs nav piemērots vajadzīgajai slodzei vai elektromontāža ir veikta nepareizi, pastāv aizdegšanās vai elektrotrieciens risks.**
- **Iekārta ir pareizi jāizņem.**
Nesavienojiet zemējuma vadu ar gāzes līniju, kanalizācijas cauruli, zibensnovedēju vai tālruņa līniju. Nepareiza zemešana var radīt elektrotrieciens risku.
- **Nesabojājiet vadus, pakļaujot tos pārāk lielam detaļu vai skrūvju spiedienam.**
Bojāti vadi var radīt aizdegšanās vai elektrotrieciens risku.
- **Strādājot ar iekšējās iekārtas iespiedhēmas plati vai vadojumu, strāvas padevei ir jābūt izslēgtai.**
Pretējā gadījumā pastāv elektrotrieciens risks.
- **Lai droši savienotu iekšējās un ārējās iekārtas, izmantojiet norādītos vadus, un cieši pievienojiet šos vadus termināļa bloka savienojumvietām tā, lai savienojumus neietekmētu vadu slodze.**
Nepagariniet vadus un neizmantojiet starpsavienojumus.
Nepareizi un nepietiekami cieši savienojumu var izraisīt aizdegšanos.
- **Neuzstādi iekārtu vietās, kur iespējama viegli uzliesmojošas gāzes noplūde.**
Ja gāze noplūst un sakrājas ap iekārtu, pastāv sprādziena risks.
- **Neizmantojiet strāvas vada starpsavienojumus vai pagarinātājus un nepievienojiet daudzus ierīces vienai maiņstrāvas rozetei.**
Pastāv aizdegšanās vai elektrošoka risks, ko var izraisīt nepilnīgi savienojumi, bojāta izolācija, atļautā strāvas ierobežojumu pārsniegšana utt.
- **Atkarībā no montāžas vietas, iespējams, jāuzstāda noplūdes aizsargslēdzis.**
Ja noplūdes aizsargslēdzis nav uzstādīts, pastāv elektrotrieciens risks.
- **Izmantojiet komplektā iekļautās vai montāžai apstiprinātās detaļas.**
Izmantojot detaļas ar defektiem, pastāv traumatisma vai ūdens noplūdes risks iekārtas aizdegšanās rezultātā, elektrotrieciens risks, iekārtas nokrišanas risks utt.
- **Pirms ievietot kontaktdakšu elektrotīkla rozetē, pārbaudiet, vai rozetē un uz kontaktdakšas nav putekļu vai neīrūmu un nav vaļņu detaļu. Kontaktdakša ir pilnībā jāiesprauc elektrotīkla rozetē.**
Ja uz kontaktdakšas vai elektrotīkla rozetē ir putekļi vai neīrūmi un ir manāmas vaļīgas detaļas, pastāv elektrotrieciens vai aizdegšanās risks. Ja pamanāt vaļīgas kontaktdakšas detaļas, nomainiet to.
- **Cieši piestipriniet iekšējās iekārtas elektrobloka pārsegu un ārējās iekārtas apkopes paneli.**
Ja iekšējās iekārtas elektrobloka pārsegs un/vai ārējās iekārtas apkopes panelis nav cieši piestiprināts, pastāv aizdegšanās un elektrotrieciens risks putekļu, ūdens u. c. apstākļu ietekmē.
- **Iekārtas uzstādīšanas, pārvietošanas vai apkopes laikā sekojiet, lai aukstumaģenta sistēmā neiekļūst citas vielas, kā vien norādītais aukstumaģents (R32/R410A).**
Nepiederušu vielu, piemēram, gaisa, ietekmē var krasi paaugstināties spiediens, kas var izraisīt sprādzienu vai traumas. Lietojot aukstumaģentu, kas nav īpaši norādīts šai sistēmai, var rasties mehāniskas kļūdas, sistēmas atteice vai iekārtas bojājumi. Sliktākajā gadījumā var tikt būtiski ietekmēta iespēja droši lietot iekārtu.
- **Nepārveidojiet iekārtu.**
Tas var izraisīt aizdegšanos, elektrošoku, traumas vai ūdens noplūdi.
- **Nepieļaujiet aukstumaģenta gāzes nokļūšanu atmosfērā. Ja montāžas laikā noplūst aukstumaģents, izvēdiniet telpu.**
Kad montāža ir pabeigta, pārbaudiet, vai nav novērojamas aukstumaģenta noplūdes.
Ja aukstumaģents noplūst un nokļūst saskarē ar liesmu vai ierīces (piemēram, gaisa sildītāja, petrolejas sildītāja vai plīts) sildelementu, rodas bīstama gāze. Ir jānodrošina standartam EN378-1 atbilstoša ventilācija.
- **Montāžai izmantojiet piemērotus darbarīkus un cauruļu materiālus.**
R32/R410A spiediens ir 1,6 reizes lielāks par R22 spiedienu. Nepiemērotu darbarīku vai materiālu lietošana un nepareiza montāža var izraisīt cauruļu plīšanu vai traumas.
- **Ja dzesēšanas kontūrā ir noplūde, nedrīkst atsūknēt, izmantojot kompresoru.**
Kad tiek atsūknēts aukstumaģents, vispirms izslēdziet kompresoru un tikai tad atvienojiet aukstumaģenta caurules. Ja aukstumaģenta caurules tiek atvienotas kompresora darbības gaitā un slēgvārsts ir atvērts, sistēmā var tikt iesūkts gaiss, bīstami paaugstinot dzesēšanas sistēmas spiedienu. Tas var izraisīt cauruļu plīšanu vai traumas.
- **Atkarībā no montāžas vietas, iespējams, jāuzstāda noplūdes aizsargslēdzis.**
Ja noplūdes aizsargslēdzis nav uzstādīts, pastāv elektrotrieciens risks.
- **Ierīces montāžas gaitā pirms kompresora iedarbināšanas cieši pievienojiet aukstumaģenta caurules.**
Ja kompresors tiek ieslēgts, pirms ir pievienotas aukstumaģenta caurules, un slēgvārsts ir atvērts, sistēmā var tikt iesūkts gaiss, bīstami paaugstinot dzesēšanas sistēmas spiedienu. Tas var izraisīt cauruļu plīšanu vai traumas.
- **Ar uzgrīzēju atslēgu pievelciet konisko uzgrīzēni, kā norādīts šajā rokasgrāmatā.**
Ja koniskais uzgrīzēnis tiek pievilktis pārāk cieši, tas pēc ilgāka laika var salūzt, izraisot aukstumaģenta noplūdi.
- **Iekārta jāuzstāda saskaņā ar valsts elektroinstalāciju noteikumiem.**
- **Ja izmantojat gāzes degļus vai citas dedzināšanas iekārtas, pilnībā izveidojiet aukstumaģentu no gaisa kondicionētāja un nodrošiniet labu telpas ventilāciju.**
Ja aukstumaģents noplūst un nokļūst saskarē ar liesmu vai sildelementu, rodas bīstama gāze; pastāv aizdegšanās risks.
- **Iekārtas ātrāki atkausēšanai vai tīrīšanai atļauts izmantot tikai ražotāja ieteiktos līdzekļus.**
- **Iekārtu nedrīkst uzglabāt telpā, kurā nepārtraukti darbojas citas ierīces, kas var radīt aizdegšanos (piemēram, ierīces ar atklātu liesmu, gāzes iekārtas vai elektriskie sildītāji).**
- **Necaurduriet un nededziniet.**
- **Ņemiet vērā, ka aukstumaģentam var nebūt smaržas.**
- **Cauruļu sistēma ir jāsarūvē no fiziskiem bojājumiem.**
- **Cauruļu sistēma jāveido pēc iespējas īsāka.**
- **Ir jānodrošina atbilstība valsts noteikumiem par gāzes lietošanu.**
- **Ventilācijas atveres nedrīkst būt bloķētas.**
- **Vietā, kur veiks montāžu, remontu vai citus ar gaisa kondicionētāju saistītus darbus, nedrīkst atrasties gāzes dedzināšanas iekārtas, elektriskie sildītāji vai citi liesmas (aizdegšanās) avoti.**
- **Iekārta ir jāuzstāda labi vēdinātā telpā, kuras izmēri atbilst instrukcijās norādītajam darbības piemērotajam telpas izmēram.**
- **Jaudas slēdzim vienmēr jābūt IESLĒGTAM, izņemot gadījumus, kad jūtama deguma smaka vai kad veicat apkopi vai pārbaudi.**
Strāvu nevar pievadīt iekšējā iekārtā uzstādītajam aukstumaģenta sensoram, un sensors nevar uztvert aukstumaģenta noplūdes. Tas var izraisīt aizdegšanos.
- **Cieši piestipriniet savienojošo kabeli paredzētajā pozīcijā.**
Nepareizas uzstādīšanas gadījumā pastāv elektrotrieciens, ugunsgrēka un/vai darbības atteices risks.

- **Darbs ar caurulēm ir jāveic rūpīgi, ievērojot norādes montāžas rokasgrāmatā.**
Ja darbs ar caurulēm tiek veikts nepareizi, no iekārtas var sākt plīst tūdens, sabojājot saimniecības priekšmetus.
- **Nepieskarieties ārējās iekārtas gaisa ievadam vai alumīnija ribām.**
Pastāv traumatisma risks.
- **Ja paredzēts pieskarties ārējās iekārtas pamatnei, uzvelciet aizsargaprīkojumu.**
Pretēja gadījumā var tikt gūtas traumas.

- **Neuzstādiēt ārējo iekārtu vietās, kur varētu dzīvot mazi dzīvnieki.**
Ja mazi dzīvnieki iekļūst iekārtā vai pieskaras iekārtas elektrokomponentiem, var rasties darbības traucējumi, dūmošana vai aizdegšanās. Iesakiet lietotājam uzturēt apkārtni ap iekārtu tīru.
- **Nedarbiniet gaisa kondicionētāju, kamēr tiek veikti iekšējo būvdarbi vai remonts vai kamēr vaskojat grīdu.**
Ja veikti šādi darbi, pirms gaisa kondicionētāja darbināšanas pilnībā izvēdiniet telpu. Pretējā gadījumā gaistošie elementi var iekerties gaisa kondicionētāja iekšpusē, izraisot ūdens noplūdes vai detaļu aprašošanu.

- **Neuzstādiēt iekārtu vietās, kur gaisā var uzkrāties dūmi, gāzes vai medikamentu daļiņas.**
Iekšējā iekārtā uzstādītais aukstumaģenta sensors šādā vidē var tikt aktivizēts un kļūdaini ziņot par aukstumaģenta noplūdi.
- **Kad jaudas slēdzis ir IESLĒGTS, sargieties no ventilatora rotēšanas.**
Kad aukstumaģenta sensors uztver aukstumaģenta noplūdi, ventilators automātiski sāk griezties. Tas var radīt savainošanās risku.
- **Izmantojot aerosola izsmidzinātājus iekšdarbiem, apdares darbiem vai caurumu noslēgšanai sienās, izslēdziet slēdzi un labi izvēdiniet telpu.**
Aukstumaģenta sensors var reaģēt uz izsmidzinātāja gāzi un izraisīt viltus trauksmi.

1-2. MONTĀŽAS VIETAS IZVĒLE

Šajā rokasgrāmatā ir aprakstīta tikai iekšējās iekārtas uzstādīšana. Uzstādot ārējo iekārtu, skatiet ārējās iekārtas montāžas rokasgrāmatu.

IEKŠĒJĀ IEKĀRTA

⚠ ⚠ BRĪDINĀJUMS

iekārta ir jāuzstāda telpās, kur grīdas platība pārsniedz ārējās iekārtas montāžas rokasgrāmatā norādīto.

- Skatiet ārējās iekārtas montāžas rokasgrāmatu.

Iekšējās iekārtas jāuzstāda vietās, kas atbilst tālāk norādītajām prasībām.

- Vietā, kur gaisa plūsma nav bloķēta.
- Vietā, kur vēss (vai silts) gaiss vienmērīgi plūst visā telpā.
- Uz stingras sienas, kas neviļbrē.
- Vietā, kur iekārta netiek pakļauta tiešai saules staru ietekmei. Sargiet iekārtu no tiešiem saules stariem arī laikā, kad tā tiek izņemta no iepakojuma un gatavota montāžai.
- Vietā, kur var viegli notecināt ūdeni.
- Vismaz 1 m vai lielākā attālumā no televizora un radio antenas. Gaisa kondicionētāja darbības ietekmē var tikt traucēta radio vai televīzijas signāla uztveršana. Ietekmētās ierīces vajadzībām var būt nepieciešams signāla pastiprinātājs.
- Pēc iespējas tālāk no luminiscentām lampām un kvēlspuldzēm. Lai infrasarkano staru tāl vadības pults varētu netraucēti raidīt signālus gaisa kondicionētājam. Lampu radītais siltuma ietekmē iekārta var deformēties un ultravioletā starojuma ietekmē var pasliktināties materiālu kvalitāte.
- Vietā, kur var ērti noņemt un nomainīt gaisa filtru.
- Vietā, kur iekārta atrodas pietiekamā attālumā no citiem karstuma un tvaika avotiem.
- Neuzstādiēt iekārtu vidē, kur atrodas propāna, butāna vai metāna gāzes aprīkojums, tiek izsmidzināta kukaiņu inde vai līdzīgas vielas, darbojas aprīkojums, kas rada dūmus, vai notiek darbs ar pārklājuma materiāliem vai medikamentiem, kā arī vietās, kur var rasties sēra bāzes gāzes.
- Iekšējā iekārtā uzstādītais aukstumaģenta sensors šādā vidē var tikt aktivizēts un kļūdaini ziņot par aukstumaģenta noplūdi. Tas var izraisīt iekārtas atteici.

Ja tiek veidots savienojums ar ārējo iekārtu, kurā izmanto R32 aukstumaģentu, iekšējo iekārtu uzstādiēt telpā, kuras platība atbilst Amin vērtībai vai pārsniedz to atbilstīgi aukstumaģenta daudzumam M (rūpnīcā iepildītais aukstumaģents + objektā pievienotais aukstumaģents). Vajadzīgo aukstumaģenta daudzumu un objektā papildināmo daudzumu skatiet ārējās iekārtas montāžas rokasgrāmatā.

M [kg]	Amin [m ²]
1,00	Nav īpašu prasību
1,10	
1,20	
1,30	
1,40	
1,50	
1,60	
1,70	
1,80	
1,84	
1,90	3,75
2,00	3,95
2,10	4,15
2,20	4,34
2,30	4,54
2,40	4,74

Lai uzzinātu papildu informāciju par aukstumaģenta iepildi, skatiet ārējās iekārtas montāžas rokasgrāmatu.

TĀLVADĪBAS PULTS

Tālāk norādīti vēlami apstākļi tālvadības pults turēšanai.

- Vietā, kur to ir ērti izmantot un tā ir viegli saskatāma.
- Vietā, kur tai nevar piekļūt bērni.
- Novietojiet to aptuveni 1,2 m attālumā virs zemes un pārliecinieties, vai iekšējā iekārta no šīs atrašanās vietas spēj uztvert tālvadības pults signālus (atskan viens vai divi pīkstieni).

Piezīme.

Ja telpā tiek lietotas invertora tipa luminiscentās lampas, var tikt traucēta bezvadu tālvadības pults kontrollera signāla uztveršanas spēja.

Piezīme.

Neuzstādiēt gaisa kondicionētāju tālāk norādītajās vietās, jo var rasties iekārtas darbības problēmas.

- Vietās, kur var noplūst uzliesmojoša gāze.
- Vietās, kur ir daudz mašīneļļas.
- Vietās, kur šļakstās eļļa vai gaisā ir daudz eļļainu dūmu (piemēram, ceptuvēs un rūpnīcās, kur plastmasas detaļu struktūra var tikt mainīta un bojāta).
- Vietās, kur gaisā ir liels sāls daudzums, piemēram, jūrmalā.
- Vietās, kur izdalās sērūdeņraža gāze, piemēram, blakus dabiskajiem karstajiem avotiem, kanalizācijas vai notekūdeņu punktiem.
- Vietās, kur atrodas augstfrekvences un bezvadu ierīces.
- Vietās, kur lielā daudzumā rodas gaistošie organiskie savienojumi, ieskaitot ftalāta savienojumus, formaldehīdu u. c. vielas, kas var izraisīt plaisāšanu.
- Iekārta jāuzglabā tā, lai nerastos mehāniski bojājumi.

1-3. SPECIFIKĀCIJAS

Modelis	Strāvas padeve *1		Vadu specifikācijas *2	Caurules izmērs (biezums *3, *4, *5, *6)		Izolācijas kārtas biežums *7, *8
	Nominālais spriegums	Frekvence	Vads iekšējās un ārējās iekārtas savienošanai	Gāze	Šķidrums	
MFZ-KT25VG	230 V	50 Hz	4 dzīslu 2,0 mm ²	ø9,52 mm (0,8 mm)	ø6,35 mm (0,8 mm)	14 mm
MFZ-KT35VG				ø12,7 mm (0,8 mm)		
MFZ-KT50VG				ø15,88 mm (0,8 mm)		
MFZ-KT60VG						

*1 Pievienojiet strāvas slēdzi ar 3 mm vai lielāku atstatumu atvērtā veidā, lai varētu pārtraukt fāzes slēgumu. (Kad strāvas slēdzis ir izslēgts, visām fāzēm jābūt pārtrauktām.)

*2 Izmantojiet vadus, kas atbilst standartam 60245 IEC 57.

*3 Neizmantojiet caurules, kas ir plānākas par norādītajām. To spiedienizturība nav pietiekama.

*4 Izmantojiet vara caurules vai vara sakausējuma bezšuvju caurules.

*5 Cauruļu locīšanas laikā nesaspiediet un nepārliekiet tās.

*6 Aukstumaģenta cauruļu locīšanas rādiusam jābūt vismaz 100 mm.

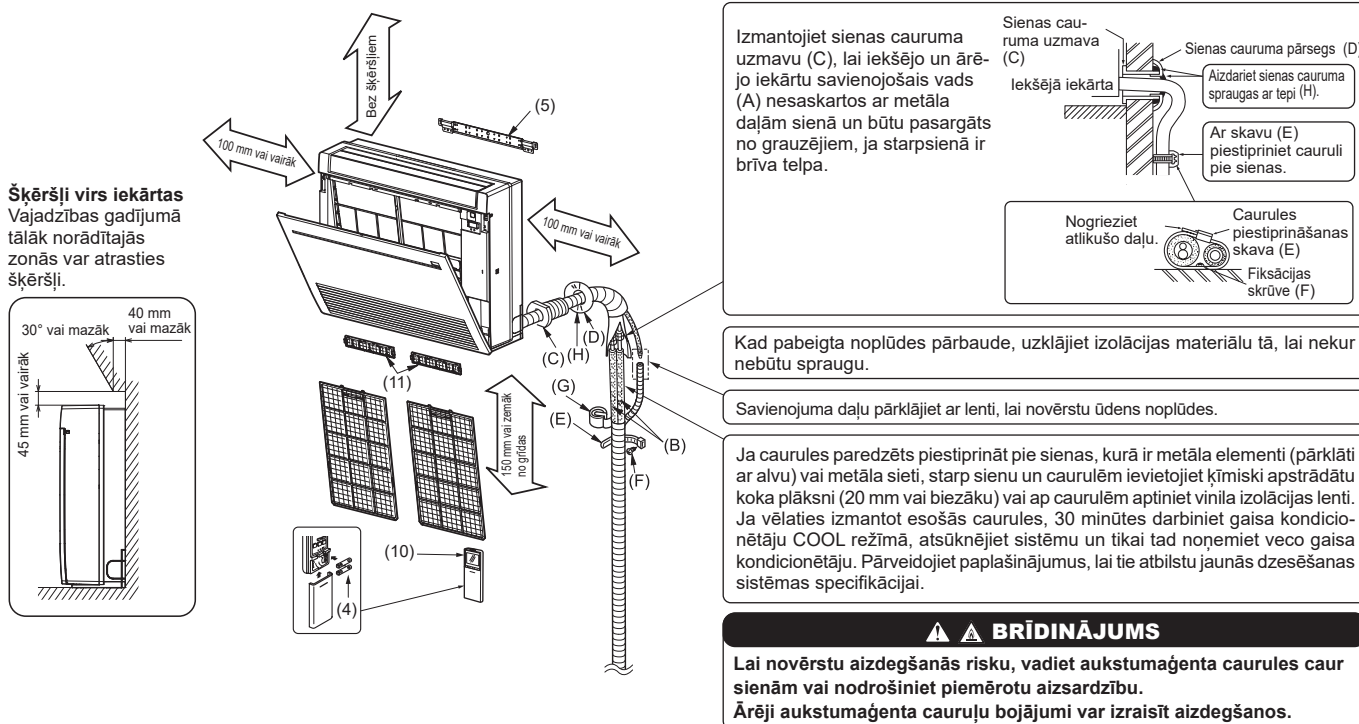
*7 Izolācijas materiāls: siltumizturīgs putuplasts ar relatīvo blīvumu 0,045

*8 Izolācija jāuzklāj tieši norādītajā biežumā. Pārāk bieža izolācijas kārtā var traucēt pareizi uzstādīt iekšējo iekārtu; pārāk plāna kārtā var radīt aprašošanu un pilēšanu.

1-4. MONTĀŽAS SHĒMA

Uzstādot ārējās iekārtas, skatiet ārējo iekārtu montāžas rokasgrāmatu.

Cauruļu specifikāciju tabulā nav norādīts minimālais līniju garums. Taču iekšējās iekārtas, kuru savienojuma cauruļu garums ir mazāks par 3 m, klusā vidē standarta darbības laikā var periodiski radīt trokšņus. Šī ir būtiska informācija, kas jāņem vērā, izvēloties iekšējās iekārtas atrašanās vietu kondicionējamajā telpā un to uzstādot.



Iekārtas drīkst uzstādīt licencēts speciālists atbilstoši vietējo noteikumu prasībām.

DETAĻAS

Pirms montāžas pārbaudiet, vai ir pieejamas visas detaļas.

(1) Drenāžas šļūtene*	1
(2) Cauruļu pārsegs	1
(3) Skava	2
(4) AAA tipa baterija pultij (10)	2
(5) Iekšējās iekārtas montāžas kronšteins	1
(6) Skavas (5) fiksācijas skrūve 4 × 25 mm	5
(7) Koka skrūves iekšējās iekārtas nostiprināšanai	4
(8) Ar skrūvi (7) izmantojama starplika	4
(9) Filca lente (kreisās vai kreisās aizmugures puses caurulēm)	1
(10) Bezvadu tālvadības pults	1
(11) Gaisa tīrīšanas filtrs	2
(12) Savienojuma caurule (tikai KT60)	1
(13) Cauruļu pārsegs savienojuma caurulei (tikai KT60)	1
(14) Jaudas slēdža etiķete	1
(15) Jaudas slēdža brīdinājums	1

* Piezīme.

Drenāžas šļūtene ir savienota ar iekārtu.

DETAĻAS, KAS JĀNODROŠINA OBJEKTĀ

(A) Vads iekšējās un ārējās iekārtas savienošanai*	1
(B) Pagarinājuma caurule	1
(C) Sienas cauruma uzrava	1
(D) Sienas cauruma pārsegs	1
(E) Caurules piestiprināšanas skava	2-5
(F) Skavas (E) fiksācijas skrūve 4 × 20 mm	2-5
(G) Cauruļu lente	1
(H) Tepe	1
(J) Drenāžas šļūtene (vai mīksta PVH šļūtene ar 15 mm iekšējo diametru, vai stingra PVH caurule VP16)	1 vai 2
(K) Strāvas vads*	1
(L) Savilcējs (tikai Wi-Fi saskarnes savienojumam)	2

* Piezīme.

Iekšējo un ārējo iekārtu savienošo vadu (A) un strāvas vadu (K) jānovieto ne mazāk kā 1 m attālumā no televizora antenas.

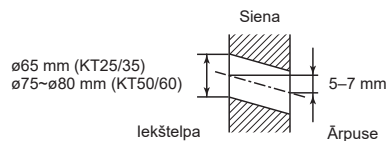
2. IEKŠĒJĀS IEKĀRTAS MONTĀŽA

2-1. IEKŠĒJĀS IEKĀRTAS MONTĀŽAS KRONŠTEINA PIESTIPRINĀŠANA

- Neuzstādiet iekšējo iekārtu augstāk par 150 mm.
- Atrodiet izturīgu sienas daļu (piemēram, statni) un horizontāli piestipriniet tai montāžas kronšteinu (5), izmantojot fiksācijas skrūves (6).
- Lai montāžas kronšteins (5) nevirētu, fiksācijas skrūves ievietojiet attēlā parādītajos caurumos. Papildu drošībai fiksācijas skrūves var ieskrūvēt arī pārējos caurumos.

2-2. CAURUMA URBŠANA

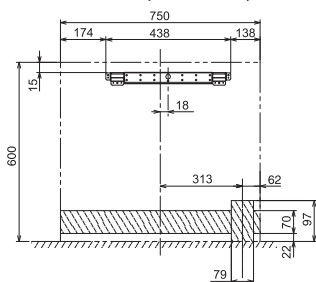
- 1) Nomēriet cauruma atrašanās vietu sienā.
- 2) Izurbiet caurumu ar diametru 65 mm (modeļa KT50/60 gadījumā diametram ir jābūt 75~80 mm). Caurumam ārpusē jāatrodas par 5~7 mm zemāk nekā caurumam iekšpusē.
- 3) Ievietojiet sienas cauruma uznavu (C).



CAURUMU IZVIETOJUMS

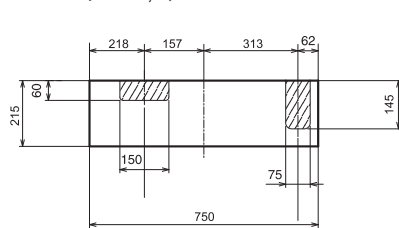
AIZMUGURES VAI KREISĀS AIZMUGURES CAURULES

(Attēlā redzams iekšējās iekārtas montāžas vietas priekšskats.)

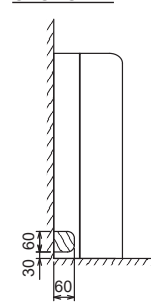


LABĀS VAI KREISĀS PUSES LEJUPVĒRSTĀS CAURULES

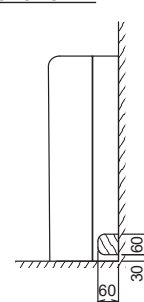
(Attēlā redzams skats no augšas uz iekšējās iekārtas apakšdaļu.)



KREISĀS PUSES CAURULES



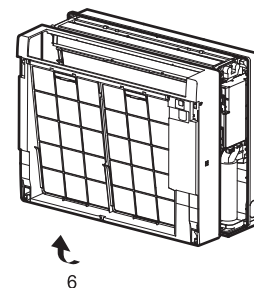
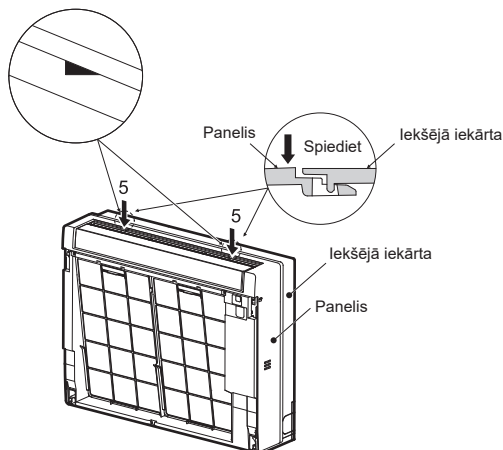
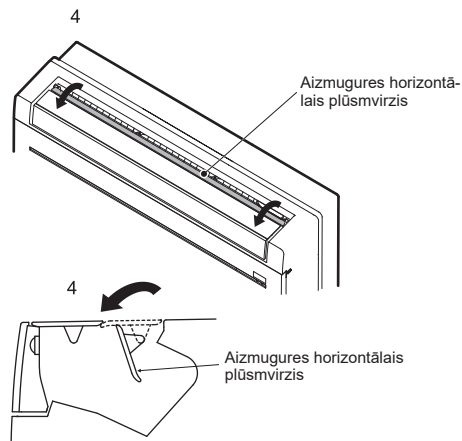
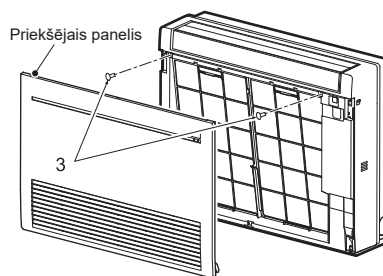
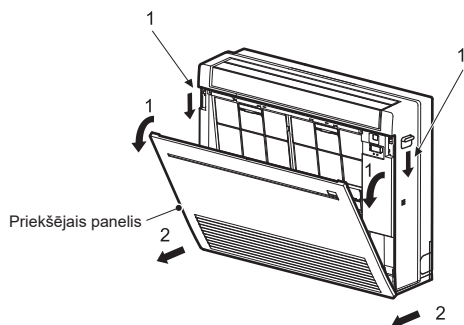
LABĀS PUSES CAURULES



2-3. IEKŠĒJĀS IEKĀRTAS SAGATAVOŠANA

Noņemiet iekšējās iekārtas priekšējo paneli.

- 1) Abās pusēs nospiediet uz leju iekšējās iekārtas tapas, lai atvērtu priekšējo paneli.
- 2) Lai noņemtu priekšējo paneli, velciet to uz sevi.
- 3) Izskrūvējiet 2 skrūves.
- 4) Atveriet aizmugures horizontālo plūsmvirzi.
- 5) Paneļa augšpusē nospiediet 2 attēlā parādītās vietas un pēc tam velciet paneļa augšpusi uz sevi.
- 6) Noņemiet paneli, (nedaudz) paceļot to uz augšu.



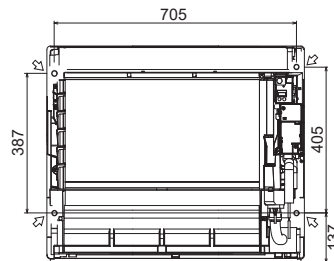
2-4. IEKŠĒJĀS IEKĀRTAS MONTĀŽA

2-4-1. IEKŠĒJĀS IEKĀRTAS MONTĀŽA UZ GRĪDAS

- 1) Novietojiet iekšējo iekārtu uz līdzenas grīdas.
- 2) Nostipriniet iekšējo iekārtu 4 punktos, izmantojot komplektā iekļautās koka skrūves (7) un starplikas (8). Cieši pievelciet skrūves.

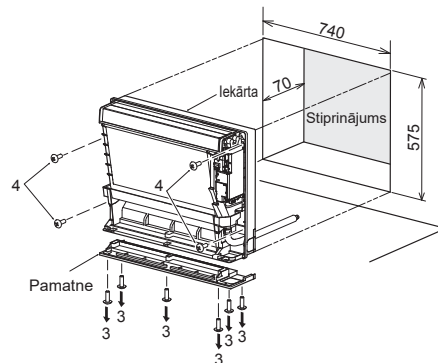
2-4-2. IEKŠĒJĀS IEKĀRTAS MONTĀŽA PIE SIENAS

- 1) Uzākējiet iekšējās iekārtas augšdaļu uz iekšējās iekārtas montāžas kronšteina (5).
- 2) Nostipriniet iekšējo iekārtu 4 punktos, izmantojot komplektā iekļautās koka skrūves (7) un starplikas (8). Cieši pievelciet skrūves.



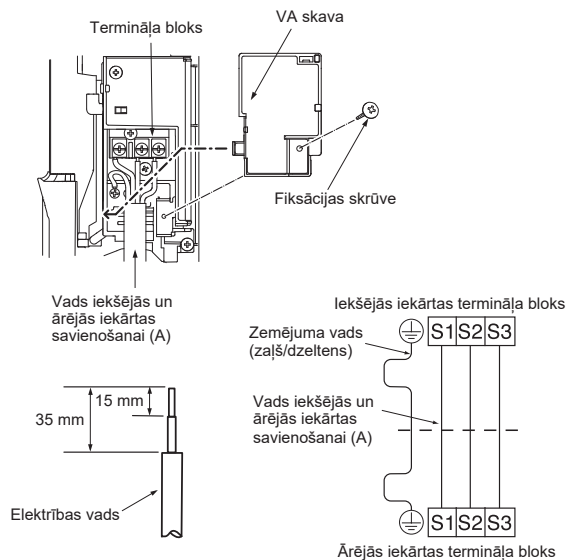
2-4-3. IEKŠĒJĀS IEKĀRTAS IEBŪVĒŠANA SIENĀ

- 1) Izveidojiet sienā padziļinājumu.
- 2) Izmantojot stiprinājumus, pielāgojiet dziļumu.
- 3) Izskrūvējiet 6 skrūves, ar kurām pamatne ir piestiprināta pie iekārtas. Noņemiet pamatni no iekārtas.
- 4) Nostipriniet iekšējo iekārtu 4 punktos, izmantojot komplektā iekļautās koka skrūves (7) un starplikas (8). Cieši pievelciet skrūves.



2-5. VADU PIESLĒGŠANA IEKŠĒJAI IEKĀRTAI

- 1) Atvienojiet VA skavu.
- 2) Izvelciet iekšējo un ārējo iekārtu savienojošo vadu (A) pa iekšējās iekārtas aizmuguri un apstrādājiet vada galu.
- 3) Atskrūvējiet spaiļu bloka skrūvi un vispirms spaiļu blokam pieslēdziet zemējuma vadu, un pēc tam pieslēdziet iekšējo un ārējo iekārtu savienojošo vadu (A). Raugieties, lai vadi tiktu savienoti pareizi. Rūpīgi piestipriniet vadu termināļa blokam tā, lai nebūtu redzama vada dzīsla. Uz termināļa bloka savienojumvietu nedrīkst iedarboties ārēja slodze.
- 4) Cieši pievelciet spaiļu bloka skrūves, lai tās nekļūtu vaļīgas. Pēc skrūvju pievilkšanas nedaudz pavelciet vadus, lai pārliecinātos, vai tie nav vaļīgi.
- 5) Ar VA skavu nofiksējiet iekšējo un ārējo iekārtu savienojošo vadu (A) un zemējuma vadu. Vienmēr pārbaudiet, vai VA skavas kreisās puses ķepiņa ir ieāķēta vietā. Cieši piestipriniet VA skavu.



- Zemējuma vadam jābūt nedaudz garākam par pārējiem vadiem (vairāk nekā par 45 mm).
- Lai nākotnē atvieglotu apkopi, visus savienojuma vadus atstājiet nedaudz garākus.
- Nelokiet pāri atlikušo vadu un nemēģiniet to iespiest šaurā telpā. Nesabojājiet vadus.
- Kad piestiprināt vadus termināļa blokam, pārliecinieties, vai katra skrūve ieskrūvēta tai paredzētajā terminālī.

⚠ BRĪDINĀJUMS

Iekārtas montāžas gaitā pirms kompresora iedarbināšanas cieši savienojiet aukstumagēnta caurules.

2-6. CAURUĻU VADĪŠANA UN MONTĀŽA

Piezīme. Skatiet 3. nodaļu "PAPLAŠINĀJUMU SAVIENOJUMI, CAURUĻU SAVIENOJUMI".

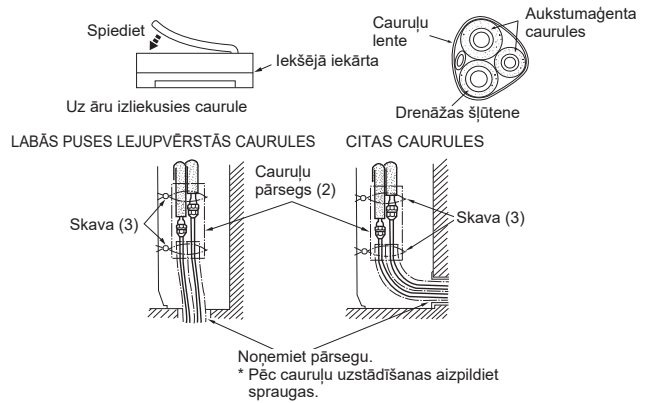
Cauruļu vadīšana

- Virziet drenāžas šļūteni pa diagonāli zem savienojuma caurulēm.
- Raugieties, lai drenāžas šļūtene nevienā vietā nebūtu vērsta augšup un nelīkumota.
- Kad ap šļūteni aptinat lenti, nevelciet šļūteni.
- Virziet caurules tā, lai tās neaizvirzītos tālāk par iekšējās iekārtas aizmugurējo malu. (Skatiet attēlu labajā pusē).

Savienojuma cauruļu uzstādīšana

- Uzstādi savienojuma caurules tā, lai caurules varētu nedaudz pavirzīt uz priekšu, atpakaļ, pa labi un pa kreisi.
- Kad ir noņemts pārsegs, nosedziet caurules, lai pēc cauruļu uzstādīšanas tās telpā nebūtu redzamas.
- Pēc cauruļu uzstādīšanas aizpildiet spraugas.

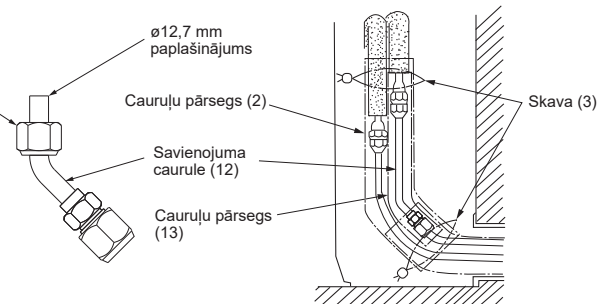
- Izolējiet savienojuma caurules, lai tās nesaskartos ar paneli.
- Lokiet savienojuma caurules uzmanīgi, lai tās nesapiestu.



MFZ-KT60 sistēmām

- Noteikti izmantojiet savienojuma cauruli (12), jo citādi $\varnothing 15,88$ mm pagarinājuma cauruli nevar nostiprināt.
- Paplašiniet savienojuma cauruli (12) līdz $\varnothing 12,7$ mm un piestipriniet cauruļu pārsegu (13).

Izmantojiet iekārtai piestiprināto konisko uzgriezni. Raugieties, lai uzgriežņi būtu vērsti pareizā virzienā.



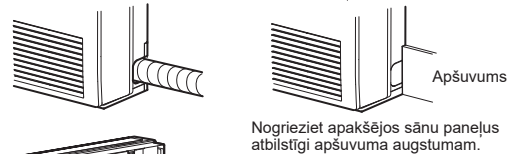
KREISĀS VAI KREISĀS AIZMUGURES CAURULES

Sasaistiet kopā savienojuma caurules un drenāžas šļūteni un aptiniet tās ar filca lenti (9).

Nogrieziet un izmantojiet iekšējās iekārtas labās un kreisās puses apakšējos sānu paneļus, kā parādīts attēlā tālāk.

Nolīdziniet sānu paneļu griezumamalas, lai tās nesabojātu izolācijas apvalku.

- Kreisās vai labās puses caurules
- Montāža cieši pie sienas, izmantojot apšuvumu

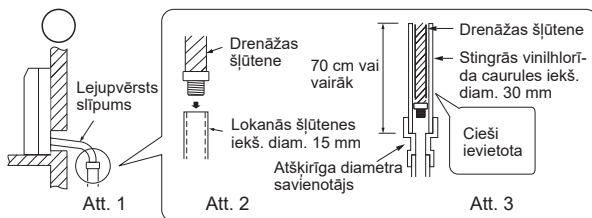


Netālu no vietas, kur caurules un šļūtene ir izvadītas no iekšējās iekārtas, cieši aptiniet tās ar filca lenti (9). (Filca lentes (9) pārklāšanās platumam nevajadzētu būt lielākam par 1/2 no pašas lentes platumam.)

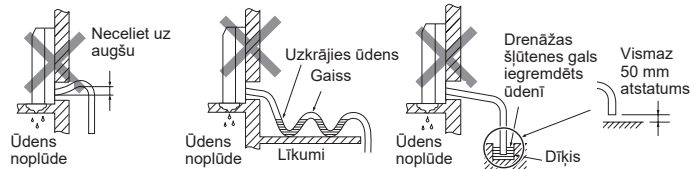


2-7. DRENĀŽAS CAURULES

- Ja drenāžas šļūtene tiek vadīta caur telpu, aptiniet to ar tirdzniecībā pieejamu izolācijas materiālu.
- Drenāžas šļūtenei jābūt vērstai uz leju, lai atvieglotu šķidruma plūšanu. (Att. 1)
- Ja iekšējās iekārtas komplektā iekļautā drenāžas šļūtene ir par īsu, savienojiet to ar objektā pieejamo drenāžas šļūteni (J). (Att. 2)
- Izmantojiet piemērotu lenti vai līdzīgu materiālu, lai noblīvētu savienojumu starp ierīces drenāžas šļūteni un drenāžas šļūtenes pagarinājumu (iekšējais diametrs 16 mm) (J).
- Ja drenāžas šļūtene tiek savienota ar stingro vinilhlorīda cauruli, cieši ievietojiet šļūteni caurulē. (Att. 3)

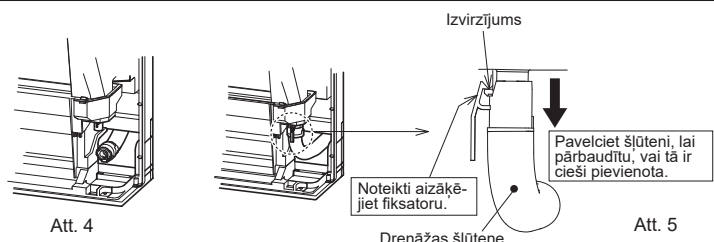


Neuzstādi drenāžas caurules, kā parādīts tālāk.



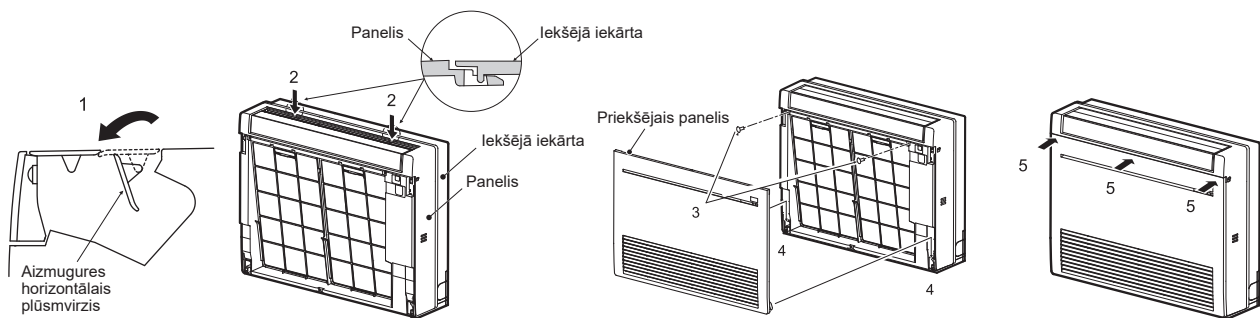
Uzstādīšanas brīdī drenāžas šļūtene tiek atvienota.

- Kad pievienojat drenāžas caurules, raugieties, lai drenāžas šļūtene (1) tiktu virzīta, kā parādīts attēlā. (Att. 4)
- Pilnībā ievietojiet drenāžas šļūteni līdz drenāžas teknes pamatnei (savienojuma beigām). (Att. 5)
- Drenāžas šļūtenes fiksators ir cieši jāaizāķē aiz drenāžas teknes šļūtenes savienojuma izvirdzījuma.
- Kad drenāžas šļūtene ir pievienota, pavelciet to, lai pārliecinātos, ka tā ir cieši piestiprināta.



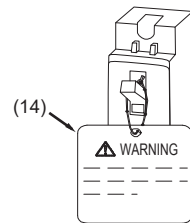
2-8. PRIEKŠĒJĀ PANEĻA UZSTĀDĪŠANA

- 1) Atveriet aizmugures horizontālo plūsmvirzi.
- 2) Piestipriniet paneli. Pārbaudiet, vai fiksatori ir nostiprināti.
- 3) Piestipriniet paneli ar skrūvēm.
- 4) Ievietojiet priekšējā paneļa apakšējo daļu.
- 5) Nospiediet 3 vietas priekšējā paneļa augšdaļā, lai to aizvērtu.



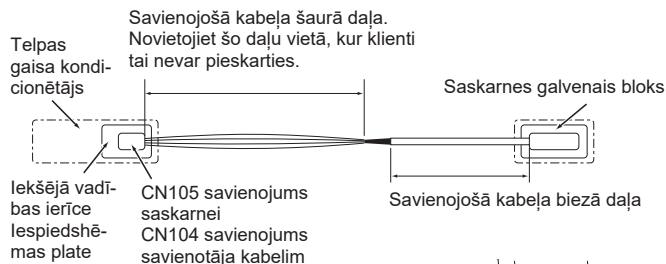
2-9. ETIKETES UN BRĪDINĀJUMA PIESTIPRINĀŠANA

Jaudas slēdzim vienmēr jābūt IESLĒGTAM, izņemot gadījumus, kad veicat apkopi vai pārbaudi. Uzkariniet komplektā iekļauto etiķeti (14) vai (15) uz jaudas slēdža un izskaidrojiet tās nozīmi klientiem. Kad jaudas slēdzis ir IZSLĒGTS, iekšējās iekārtas aukstumaģenta sensoram netiek pievadīta strāva un nav iespējams konstatēt aukstumaģenta noplūdi. Piezīme: Ja iekšējai un ārējai iekārtai ir nodalīts strāvas pievads, komplektā iekļauto etiķeti (14) vai (15) uzkariniet uz iekšējās iekārtas jaudas slēdža un izskaidrojiet tās nozīmi klientiem.

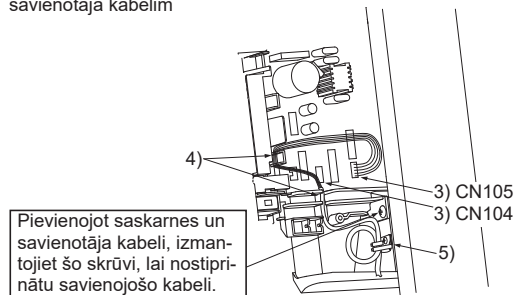


2-10. SASKARNES (papildaprīkojums)/SAVIENOTĀJA KABEĻA (papildaprīkojums) pievienošana GAISA KONDICIONĒTĀJAM

- Pievienojiet saskarnes/savienotāja kabeli gaisa kondicionētāja iekšējās iekārtas vadības iespaidshēmas platei, izmantojot savienojošo kabeli.
- Ja saskarnes/savienotāja kabeļa savienošais kabelis tiek nogriezts vai pagarināts, rodas savienojuma traucējumi. Nesavijiet savienojošo kabeli kopā ar barošanas kabeli, iekšējo un ārējo savienojošo vadu un/vai zemējuma vadu. Nodrošiniet, lai attālums starp savienojošo kabeli un attiecīgajiem vadiem būtu pēc iespējas lielāks.
- Savienojošā kabeļa šaurajai daļai jāatrodas vietā, kur klienti tai nevar pieskarties.



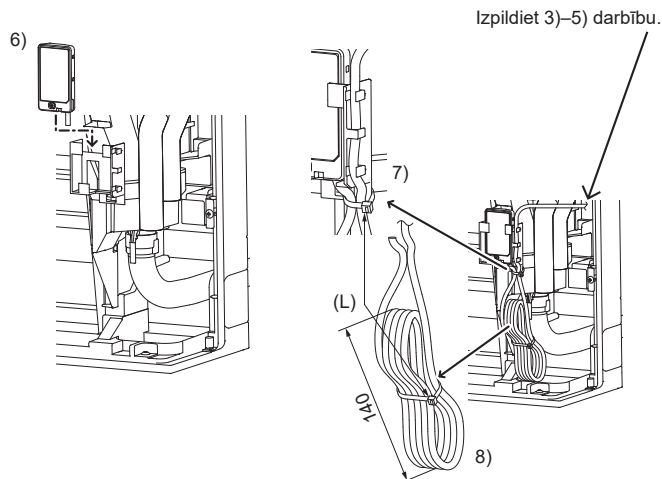
- 1) Noņemiet paneli.
- 2) Atveriet iekšējās iespaidshēmas plates pārsegu.
- 3) Savienojiet savienojošo kabeli ar iekšējās iekārtas vadības iespaidshēmas plates savienojumu CN105 un/vai CN104.
- 4) Izvadiet savienojošo kabeli cauri attēlā norādītajai vietai.
- 5) Ar 4 × 16 skrūvi pievienojiet komplektācijā ietverto saskarnes/savienotāja kabeļa skavu savienojošā kabeļa biežajai daļai, kā redzams attēlā.
- 6) Aizveriet iekšējās iespaidshēmas plates pārsegu. Uzmanieties, lai savienojošā kabeļa šaurā daļa netiktu saspiesta ar pārsegu. Uzlieciet atpakaļ paneli.



Piezīme.

Pievienojot Wi-Fi saskarni (papildaprīkojums), uzstādiet saskarni turētājā, kā parādīts attēlā. Pielāgojiet kabeļa garumu un nostipriniet to, kā parādīts attēlā.

- 1) Noņemiet paneli.
- 2) Atveriet iekšējās iekārtas vadības iespaidshēmas plates pārsegu.
- 3) Pievienojiet savienojošo kabeli iekšējās iekārtas vadības iespaidshēmas plates savienojumam CN105.
- 4) Izvadiet savienojošo kabeli cauri attēlā norādītajai vietai.
- 5) Ar 4 × 16 skrūvi pieskrūvējiet saskarnes/savienotāja kabeļa komplektācijā ietverto skavu savienojošā kabeļa biežajai daļai, kā parādīts attēlā.
- 6) Ievietojiet Wi-Fi saskarni turētājā.
- 7) Ievietojiet savienojošo kabeli turētājā un tad nostipriniet to ar savilcēju (L).
- 8) Saritiniet un nostipriniet pāri palikušo kabeļa daļu ar savilcēju (L). Izveidotajam kabeļa ritulim jābūt aptuveni 140 mm garam.
- 9) Aizveriet iekšējās iekārtas vadības iespaidshēmas plates pārsegu. Uzmanieties, lai savienojošā kabeļa šaurā daļa netiktu saspiesta ar pārsegu. Uzlieciet atpakaļ paneli.



BRĪDINĀJUMS

Stingri nostipriniet savienojošo kabeli paredzētajā pozīcijā. Nepareizas uzstādīšanas gadījumā pastāv elektrotrieciena, ugunsgrēka un/vai darbības atteices risks.

3. PAPLAŠINĀJUMU SAVIENOJUMI, CAURUĻU SAVIENOJUMI

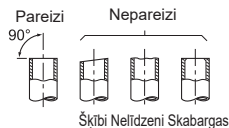
3-1. CAURUĻU PAPLAŠINĀŠANA

- 1) Pareizi nogrieziet vara cauruli ar cauruļu griezēju. (Att. 1, 2)
- 2) Rūpīgi likvidējiet visas skabargas no apgrieztās caurules daļas. (Att. 3)
 - Kamēr likvidējat skabargas, turiet apstrādājamo vara caurules galu uz leju, lai skabargas neiekļūtu caurulē.
- 3) Kad skabargas likvidētas, noskrūvējiet koniskos uzgriežņus no iekšējās un ārējās iekārtas un uzlieciet tos uz apstrādātās caurules. (Pēc caurules paplašināšanas uzgriežņus nevar uzlikt.)
- 4) Paplašināšanas process (Att. 4, 5). Stingri ievietojiet vara cauruli darbarīkā, kā norādīts tabulā. Izvēlieties pareizo mm izmēru atkarībā no izmantotā darbarīka.
- 5) Pārbaudes
 - Salīdziniet paplašināto cauruli ar Att. 6.
 - Ja paplašinājums šķiet ar defektiem, nogrieziet paplašināto daļu un atkārtojiet paplašināšanas darbības.

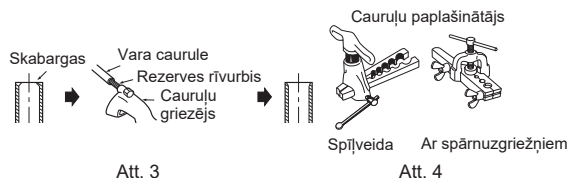
Caurules diametrs (mm)	Uzgrieznis (mm)	A (mm)			Pievilkšanas griezes moments	
		Spīļveida paplašinātājs (R32, R410A)	Spīļveida paplašinātājs (R22)	Spārnuzgriežņu paplašinātājs (R22)	N•m	kgf•cm
ø6,35 (1/4 collas)	17	0-0,5	1,0-1,5	1,5-2,0	14-18	140-180
ø9,52 (3/8 collas)	22				34-42	340-420
ø12,7 (1/2 collas)	26			2,0-2,5	49-61	490-610
ø15,88 (5/8 collas)	29			-	68-82	680-820



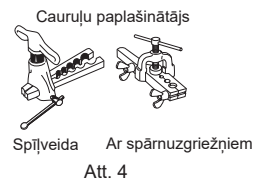
Att. 1



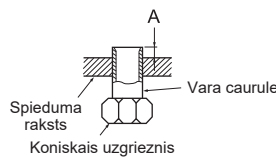
Att. 2



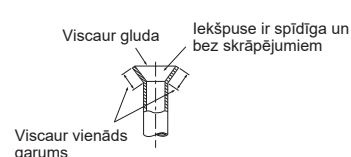
Att. 3



Att. 4



Att. 5



Att. 6

3-2. CAURUĻU SAVIENOJUMS

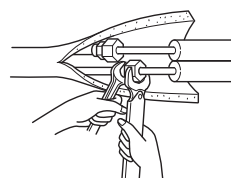
- Ar uzgriežņu atslēgu pievelciet konisko uzgriežņi, kā norādīts tabulā.
- Ja koniskais uzgrieznis tiek pievilks pārāk cieši, tas pēc ilgāka laika var salūzt, izraisot aukstumaģenta noplūdi.
- Aptiniet caurules ar izolējošu materiālu. Pieskaroties neaptītām caurulēm, var gūt apdegumus vai apsaldējumus.

Iekšējās iekārtas savienojums

- Pievienojiet gan šķidrums, gan gāzes caurules iekšējai iekārtai.
- Neuzklājiet dzesēšanas sistēmas eļļu uz skrūvju vītņiem. Pievelkot skrūvi pārlieku stipri, tā tiks bojāta.
 - Lai izveidotu savienojumu, vispirms savietojiet centrus un tad ar 3-4 pilniem apgriezieniem ar roku pievelciet konisko uzgriežņi.
 - Iekšējās iekārtas sānu vītņsavienojuma pievilksšanas griezes momentu skatiet iepriekš parādītajā tabulā, un darbam izmantojiet divas uzgriežņu atslēgas. Pievelkot pārlieku stipri, tiek bojāts paplašinājums.

BRĪDINĀJUMS

Iekštelpās aizliegts izmantot atkārtoti lietojamus mehāniskos savienotājus un paplašinājumu savienojumus. Ja aukstumaģenta cauruļu savienojumus veidojat lodējot nevis veidojot paplašinājumu savienojumus, vispirms pabeidziet lodēšanu un tikai pēc tam savienojiet iekšējo un ārējo iekārtu.



BRĪDINĀJUMS
Iekārtas montāžas gaitā pirms kompresora iedarbināšanas cieši pievienojiet aukstumaģenta caurules.

4. DARBINĀŠANA TESTA REŽIMĀ

4-1. DARBINĀŠANA TESTA REŽIMĀ

Pārliedzieties, ka ir izdarīts tālāk minētais.

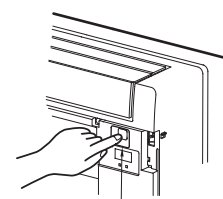
- Panelis ir uzstādīts pareizi.
- Iekšējā un ārējā iekārta ir uzstādīta pareizi, un ir nodrošināta strāvas padeve.

- 1) Nospiediet slēdzi (E.O. SW) vienreiz, lai aktivizētu režīmu COOL, un divreiz, lai aktivizētu režīmu HEAT. Testa režīma darbināšana ilgst 30 minūtes. Ja darbības indikators kreisajā pusē mirgo ar 0,5 sekunžu intervālu, pārbaudiet, vai ir pareizi pievienots iekšējo un ārējo iekārtu savienojošais vads (A). Pēc testa režīma tiek aktivizēts ārējais režīms (iestatītā temperatūra ir 24 °C).
- 2) Lai apturētu iekārtas darbību, vairākas reizes nospiediet slēdzi (E.O. SW), līdz visi LED indikatori izdziest. Plašāku informāciju skatiet lietošanas instrukcijās.

Pārbaudiet tālvadības pults (infrasarkanā) signāla uztveramību

Nospiediet tālvadības pults pogu ON/OFF (10) un pārliedzieties, ka no iekšējās iekārtas atskan elektroniska skaņa. Vēlreiz nospiediet pogu ON/OFF, lai izslēgtu gaisa kondicionētāju.

- Kad kompresors izslēdzas, tiek aktivizēts restartēšanas bloķētājs, kas 3 minūtes neļauj iedarbināt kompresoru, šādi pasargājot gaisa kondicionētāju.



Ārkārtas režīma slēdzis (E.O. SW)

4-2. AUTOMĀTISKĀ RESTARTĒŠANAS FUNKCIJA

Šī iekārta ir aprīkota ar automātiskās restartēšanas funkciju. Ja iekārtas darbības laikā tiek pārtraukta strāvas padeve, piemēram, attiecīgajā objektā pazūd elektrība, kad tiek atjaunota elektrības padeve, iekārta automātiski atsāk darboties tādā režīmā, kādā tā darbojās pirms strāvas pārtraukuma. (Plašāku informāciju skatiet lietošanas instrukcijās.)

Uzmanību:

- Pēc testēšanas režīma vai tālvadības pults signāla pārbaudes izslēdziet iekārtu, izmantojot slēdzi (E.O. SW) vai tālvadības pulti un tikai tad izslēdziet strāvas padevi. Pretējā gadījumā iekārta automātiski atsāks darboties, tiklīdz tiks atjaunota strāvas padeve.

Informācija lietotājam

- Pēc iekārtas montāžas izskaidrojiet lietotājam automātiskās restartēšanas funkcijas darbības principus.
- Ja automātiskās restartēšanas funkcija nav nepieciešama, to var deaktivizēt. Sazinieties ar pakalpojumu sniedzēju pārstāvi, lai deaktivizētu šo funkciju. Plašāku informāciju skatiet apkopes rokasgrāmatā.

4-3. SKAIDROJUMI LIETOTĀJAM

- Izmantojot LIETOŠANAS INSTRUKCIJAS, izskaidrojiet lietotājam, kā lietot gaisa kondicionētāju (kā lietot tālvadības pulti, kā noņemt gaisa filtrus, kā izņemt tālvadības pulti no tālvadības pults turētāja un ievietot tajā, kā veikt tīrīšanu, kādi piesardzības pasākumi jāievēro utt.).
- Iesakiet lietotājam rūpīgi izlasīt LIETOŠANAS INSTRUKCIJAS.

5. ATSŪKNĒŠANA

Skatiet ārējās iekārtas montāžas rokasgrāmatā norādītās procedūras.

BRĪDINĀJUMS

Ja dzesēšanas kontūrā ir noplūde, nedrīkst atsūknēt, izmantojot kompresoru. Kad tiek atsūknēts aukstumaģents, vispirms izslēdziet kompresoru un tikai tad atvienojiet aukstumaģenta caurules. Pastāv kompresora sprādziena risks, tajā iekļūstot gaisam u. c. vielām.

TURINYS

1. PRIEŠ PRADENANT MONTUOTI.....	1
2. VIDINIO ĮRENGINIO MONTAVIMAS.....	4
3. VALCUOTOS DALIES PRIJUNGIMAS, VAMZDELIO PRIJUNGIMAS.....	8
4. TESTAVIMAS.....	8
5. VAKUUMAVIMAS.....	9

Modelių pavadinimai nurodyti skyriuose 1–3.

Šiame montavimo vadove aprašytas tik vidinis įrenginys. In-formacijos, kaip montuoti išorinio įrenginio, žr. išorinio įrenginio montavimo vadove.

Montavimui reikalingi įrankiai

„Phillips“ atsuktuvai	Valcavimo įrankis, skirtas R32, R410A
Gulsčiukas	Kolektorius matuoklis, skirtas R32, R410A
Liniuotė	Vakuuminis siurblys, skirtas R32, R410A
Darbinis peilis arba žirkklės	Padavimo žarnelė, skirtas R32, R410A
75 mm gręžimo karūnėlė	Vamzdžių pjoviklis su plėstuvu
Dinamometrinis raktas	Vandens butelis
Raktas	0,9–1,0 l vandens

1. PRIEŠ PRADENANT MONTUOTI

ANT VIDINIO/IŠORINIO ĮRENGINIO MATOMŲ SIMBOLIŲ REIKŠMĖS

	ĮSPĖJIMAS (Gaisro pavojus)	Šiame įrenginyje naudojamas degus šaltnešis. Šaltnešiu pratekęs ir patekęs šalia ugnies ar šildymo dalies, susidarys žalingų dujų ir kils gaisro pavojus.
		Prieš naudojimą atidžiai perskaitykite NAUDOJIMO INSTRUKCIJĄ.
		Prieš naudojimą techninės priežiūros darbuotojai turi atidžiai perskaityti NAUDOJIMO INSTRUKCIJĄ ir MONTAVIMO VADOVĄ.
		Daugiau informacijos pateikiama NAUDOJIMO INSTRUKCIJOJE, MONTAVIMO VADOVE ir pan.

1-1. SAUGOS SUMETIMAIS BŪTINA VISUOMET LAIKYTIŠ TOLIAU PATEIKTŲ NURODYMŲ

- Prieš montuodami įrenginį būtinai perskaitykite skyrių „SAUGOS SUMETIMAIS BŪTINA VISUOMET LAIKYTIŠ TOLIAU PATEIKTŲ NURODYMŲ“.
- Būtinai perskaitykite čia pateiktus įspėjimus ir kitus perspėjimus, nes juose pateikiama svarbios su sauga susijusios informacijos.
- Perskaitytę šį vadovą, būtinai jį kartu su NAUDOJIMO INSTRUKCIJA pasidėkite ateičiai.

⚠ ĮSPĖJIMAS (Gali sukelti mirtį, sunkų sužalojimą ir t. t.)

- **Nemontuokite įrenginio patys (naudotojai).** Blogai sumontavus ir įrenginiui nukritus arba atsiradus vandens nuotėkiui, gali kilti gaisras, įvykti elektros šokas, naudotojas gali susižaloti. Kreipkitės į pardavėją, iš kurio įsigijote įrenginį, arba į kvalifikuotą montuotoją.
- **Montavimo darbus atlikite saugiai vadovaudamiesi montavimo vadove pateikta informacija.** Blogai sumontavus ir įrenginiui nukritus arba atsiradus vandens nuotėkiui, gali kilti gaisras, įvykti elektros šokas, naudotojas gali susižaloti.
- **Saugos sumetimais montuodami įrenginį naudokite atitinkamas saugos priemones ir įrankius.** Kitaip galite susižeisti.
- **Įrenginį saugiai sumontuokite tokioje vietoje, kuri gali išlaikyti įrenginio svorį.** Jei montavimo vieta negali išlaikyti įrenginio svorio, įrenginys gali nukristi ir ką nors sužaloti.
- **Su elektra susijusius darbus turi atlikti kvalifikuotas ir patyręs elektrikas remdamasis montavimo vadovu. Būtinai naudokite atskirą grandinę. Prie grandinės nejunkite kitų elektros prietaisų.** Jei elektros grandinės galia nepakankama arba su elektra susiję darbai netinkamai atlikti, gali kilti gaisras arba išstiekti elektros šokas.
- **Tinkamai įžeminkite įrenginį.** Nejunkite įžeminimo laido prie dujų vamzdelio, vandens vamzdelio, žaibolaidžio strypo ar telefono įžeminimo laido. Blogai įžemintus gali išstiekti elektros šokas.
- **Nepažeiskite laidų juos pernelyg stipriai prispausdami įrenginio dalimis ar priverždami varžtais.** Sugadintus laidus gali kilti gaisras arba išstiekti elektros šokas.
- **Jei ruošiatės montuoti vidinę spausdintinę plokštę ar atlikti laidų įrengimo darbus, būtinai atjunkite maitinimo tinklą.** Kitaip gali išstiekti elektros šokas.
- **Vidiniams / išoriniams įrenginiui saugiai prijungti naudokite nurodytus laidus ir juos prie įrenginio dalis jungiančios gnybtų plokštelės pritvirtinkite taip, kad laidų įtempis nedarytų poveikio prijungtomis įrenginio dalims. Laidų neilginkite ir nenaudokite tarpinės jungties.** Netinkamai sujungus ir pritvirtinus gali kilti gaisras.
- **Įrenginio nemontuokite vietoje, kur gali atsirasti dujų nuotėkis.** Jei nutekėjusios dujos kaupiasi aplink išorinį įrenginį, gali įvykti sprogiama.
- **Nenaudokite tarpinės maitinimo laido jungties ar ilgintuvo ir prie to pačio kintamosios srovės lizdo nejunkite kelių prietaisų.** Dėl blogo sujungimo, prastos izoliacijos ar leidžiamosios srovės viršijimo gali kilti gaisras arba išstiekti elektros šokas.
- **Atlikdami montavimo darbus būtinai naudokite su įrenginiu pateiktas arba nurodytas dalis.** Naudojant dalis su defektais ir dėl to kilus gaisrai, išstiekti elektros šokai ar įrenginiui nukritus ir pan., kas nors gali susižeisti arba gali atsirasti vandens nuotėkis.
- **Prieš maitinimo laido kištuką kišdami į elektros lizdą patikrinkite, ar kištukas ir lizdas nėra dulkinai, kuo nors aplipę, ar nėra atsilaisvintųjų dalių. Būtinai maitinimo laido kištuką į elektros lizdą įkiškite iki galo.** Jei maitinimo laido kištukas arba elektros lizdas yra apdulkęs, kuo nors aplipę arba jų dalys yra atsilaisvintos, gali išstiekti elektros šokas arba kilti gaisras. Jei atsilaisvino maitinimo laido kištuko dalys, pakeiskite jį nauju.
- **Prie vidinio įrenginio gerai pritvirtinkite elektros laidų dangtį, o prie išorinio įrenginio – techninės priežiūros skydelį.** Jei vidinio įrenginio elektros dalių dangtis ir (arba) išorinio įrenginio techninės priežiūros skydelis nebus saugiai pritvirtinti, dėl nusėdusių patekusių dulkių, vandens ir pan. gali kilti gaisras arba išstiekti elektros šokas.
- **Montuodami, perkeldami ar atlikdami techninę priežiūrą, užtikrinkite, kad į šaltnešio cirkuliacijos sistemą nepatektų jokia kita medžiaga, išskyrus nurodytą šaltnešį (R32/R410A).** Patekus bet kokiai pašalinei medžiagai, pvz., orui, slėgis gali neįprastai pakilti ir sukelti sprogiamą arba ką nors sužeisti. Naudojant kitą nei šiai sistemai nurodytą šaltnešį gali įvykti mechaninis gedimas, sutrikinti sistemos darbas ar sugesti įrenginys. Blogiausiu atveju, tai gali būti rimta kliūtis gaminio saugumui užtikrinti.
- **Nekeiskite įrenginio.** Gali kilti gaisras, galima patirti elektros šoką, sužalojimą ar gali atsirasti vandens nuotėkis.
- **Šaltnešio neišleiskite į atmosferą. Jei šaltnešio nutekėtų montavimo metu, išvėdinkite kambarį. Užbaigę įrenginio montavimo darbus patikrinkite, ar nėra šaltnešio nuotėkio.** Jei esama šaltnešio nuotėkio ir jis kontaktuoja su ugnimi arba kaistančia dalimi, pvz., ventilatoriniu šildytuvu, žibalinio šildytuvu arba virykle, gali susidaryti kenksmingos dujos. Išvėdinkite patalpas pagal EN378-1.
- **Montuodami naudokite tinkamus įrankius ir vamzdelių formavimo medžiagas.** Slėgis įrenginyje R32/R410A yra 1,6 karto didesnis už slėgį įrenginyje R22. Naudojant netinkamus įrenginys ar netinkamas medžiagas ir įrenginį blogai sumontavus vamzdeliai gali pratrūkti arba kas nors gali susižaloti.
- **Kai šaltnešio grandinėje yra protėkis, nevakuuokite naudodami kompresorių. Jei vakuuojate šaltnešį, kompresorių sustabdykite prieš atjungdami šaltnešio vamzdelius.** Jei šaltnešio vamzdelius atjungsitė, kai kompresorius veikia, o uždarymo vožtuvas yra atidarytas, į vidų gali būti įtrauktas oras ir slėgis šaldymo cikle gali neįprastai padidėti. Dėl to vamzdeliai gali pratrūkti arba kas nors gali susižeisti.
- **Atsivėlę į montavimo vietą, sumontuokite įžemėjimo srovės jungiklį.** Jei įžemėjimo srovės jungiklio nesumontuosite, gali išstiekti elektros šokas.
- **Montuodami įrenginį šaltnešio vamzdelius saugiai prijunkite prieš įjungdami kompresorių.** Jei kompresorių įjungsitė, kai šaltnešio vamzdeliai dar neprijungti, o uždarymo vožtuvas yra atidarytas, į vidų gali būti įtrauktas oras ir slėgis šaldymo cikle gali neįprastai padidėti. Dėl to vamzdeliai gali pratrūkti arba kas nors gali susižeisti.
- **Priveržkite valcavimo veržlę dinamometrinio raktu, kaip nurodyta šiame vadove.** Jei priveršitė per stipriai, po ilgo laiko valcuota veržlė gali nulūžti ir atsirasti šaltnešio nuotėkis.
- **Įrenginį būtinai montuoti atsivėlę ir nacionalinius elektros instaliacijos nuostatus.**
- **Jei naudojate dujų degiklį ar kokį kitą liepsną leidžiantį įrenginį, iš oro kondicionieriaus pašalinkite visą šaltnešį ir pasirūpinkite, kad patalpos būtų gerai vėdinamos.** Jei esama šaltnešio nuotėkio ir jis kontaktuoja su ugnimi arba kaistančia dalimi, susidaro žalingos dujos ir kyla gaisro pavojus.
- **Atitirpimo procesą pagreitinanti ir įrenginį valyti galima tik naudojant gamintojo rekomenduojamas priemones.**
- **Prietaisais turi būti laikomas patalpoje, kurioje nėra nuolat veikiančių degimo šaltinių (pvz., atviros liepsnos, veikiančio dujinio įrenginio ar elektrinio šildytuvo).**
- **Nepradurkite ir nedeginkite.**
- **Zinokite, kad šaltnešis gali būti bekvapis.**
- **Vamzdelius būtina saugoti nuo fizinės žalos.**
- **Vamzdelių montavimo darbai turi būti kuo paprastesni.**
- **Būtinai laikytis nacionalinių dujų nuostatų.**
- **Palikite neuždengtas reikiamas vėdinimo angas.**
- **Dujas deginančius prietaisus, elektrinius šildytuvus ir kitus ugnies šaltinius (degimo šaltinius) laikykite atokiau nuo oro kondicionieriaus montavimo, remonto ir kitų jo darbų vykdymo vietos.**
- **Prietaisais turi būti laikomas gerai vėdinamoje vietoje – joje kambario dydis turi atitikti veikimui nustatytą kambario plotą.**
- **NEIŠJUNKITE pertraukiklio – tai galima atlikti tik pajutus degėsių kvapą arba atliekant techninę priežiūrą ar patikrą.** Vidiniame įrenginyje sumontuotam šaltnešio jutikliui maitinimas nebus tiekiamas, todėl jutiklis negalės aptikti šaltnešio nuotėkio. Dėl to gali kilti gaisras.
- **Saugiai pritvirtinkite prijungimo kabelį nurodytoje padėtyje.** Dėl netinkamo montavimo galima patirti elektros šoką, gali kilti gaisras ir (arba) atsirasti triktis.

- **Drenažo sistemos/vamzdelių formavimo darbus atlikite saugiai vadovaudamiesi montavimo vadove pateikta informacija.**
Jei drenažo sistemos/vamzdelių formavimo darbus atliksite blogai, iš įrenginio gali imti lašėti vanduo ir sugadinti daiktus namuose.
- **Nelieskite vidinio/išorinio įrenginio oro įtraukimo angų ir aliuminio plokštelių.**
Galite susižeisti.
- **Kai liečiate lauko įrenginio pagrindą, dėvėkite apsaugos priemones.**
Jei nedėvėsite apsaugos priemonių, galite susižeisti.

- **Išorinio įrenginio nemontuokite, vietoje, kuriose gali gyventi maži gyvūnai.**
Jei maži gyvūnai patektų į įrenginio vidų ir paliestų elektros dalis, įrenginys gali sugesti, gali atsirasti dūmų arba kilti gaisras. Taip pat patarkite naudotojui vietą aplink įrenginį laikyti švariai.
- **Nenaudokite oro kondicionieriaus statybos ir apdailos darbų patalpose metu arba kol vaškujamos grindys.**
Kai buvo atliekami tokie darbai, prieš paleisdami oro kondicionierių, gerai išvėdinkite patalpą. Antraip lakios dalelės gali prikibti oro kondicionieriaus viduje, todėl vanduo ims pratekti arba pasklis rasa.

- **Įrenginio nemontuokite vietoje, kur į jį gali patekti dūmų, dujų ar vaistų.**
Į juos gali sureaguoti vidiniame įrenginyje sumontuotas šaltnešio jutiklis, todėl gali būti rodoma šaltnešio nuotėkio klaida.
- **Kai JUNGTRAS pertraukiklis, saugokitės besisukančio ventiliatoriaus.**
Šaltnešio jutikliui nustačius šaltnešio nuotėkį, ventiliatorius pradeda sukintis automatiškai. Jis gali sužaloti.
- **Kai naudojate aerolinius purškiklius vidaus konstrukcijai, apdailos darbams ar sieninei skylei užsandarinti, išjunkite pertraukiklį ir gerai išvėdinkite patalpą.** Šaltnešio jutiklis gali sureaguoti į purškiklių sudėtyje esančias dujas ir jas aptikti per klaidą.

1-2. MONTAVIMO VIETOS IŠRINKIMAS

Šiame vadove aprašytas tik vidinio įrenginio montavimas. Jei ruošiatės montuoti išorinį įrenginį, apie tai skaitykite išorinio įrenginio montavimo vadove.

VIDINIS ĮRENGINYS

⚠️ ⚠️ ĮSPĖJIMAS

Šį įrenginį būtina montuoti kambariuose, kurių grindų plotas didesnis už nurodytą išorinio įrenginio montavimo vadove.

Montuojant vidaus įrenginius turi būti tenkinamos šios sąlygos:

- Kur oro srautas laisvai cirkuliuoja.
- Kur vėsus (arba šiltas) oras pasklinda po visą kambarį.
- Tvirta, nevibruojanti siena.
- Kur įrenginio nepasiektų tiesioginiai saulės spinduliai. Nuo tiesioginių saulės spindulių taip pat saugokite išpakuotą ir dar nesumontuotą naudoti įrenginį.
- Kur įrenginį būtų lengva drenuoti.
- 1 ar daugiau metrų atstumu nuo televizoriaus ir radijo imtuvo. Oro kondicionieriaus veikimas gali trukdyti priimti radijo ar televizijos signalą. Veikiamam prietaisui gali būti reikalingas signalo stiprintuvas.
- Vietoje, kuri yra kuo toliau nuo fluorescencinių ir kaitinamųjų lempų. Kad infraraudonųjų spindulių nuotolinio valdymo pultelis oro kondicionierių normaliai valdytų. Lempų spinduliuojamas karštis gali deformuoti, o ultravioletiniai spinduliai – paspartinti nusidėvėjimą.
- Kur oro filtrą galima lengvai nuimti ir uždėti.
- Kur įrenginys yra toli nuo kitų karščio ir garų šaltinių.
- Nemontuokite įrenginio aplinkoje, kurioje yra propano, butano ar metano dujų įranga, laikomi purškikliai, pvz., vabzdžiams naikinti, stovi įranga, kuri skleidžia dūmus, naudojama dangų dengimo medžiaga ir vaistai, taip pat vietoje, kur susidaro sieros pagrindo dujų.
- Į juos gali sureaguoti vidiniame įrenginyje sumontuotas šaltnešio jutiklis, todėl gali būti rodoma šaltnešio nuotėkio klaida. Todėl įrenginys gali neveikti.

Kai jungiate išorinį įrenginį, kuriam naudojamas R32 šaltnešis, montuokite tokį išorinį įrenginį patalpoje, kurios grindų plotas yra Amin ar daugiau, atitinkamai parinkdami šaltnešio kiekį M (gamykloje užpildytas šaltnešio kiekis + vietoje pridėtas šaltnešio kiekis). Informacijos apie šaltnešio kiekį ir papildomą šaltnešio pridėjimą ieškokite ant išorinio įrenginio.

M [kg]	Amin [m ²]	
1,00	Reikalavimų nėra	
1,10		
1,20		
1,30		
1,40		
1,50		
1,60		
1,70		
1,80		
1,84		3,63
1,90		3,75
2,00		3,95
2,10		4,15
2,20	4,34	
2,30	4,54	
2,40	4,74	

Informacijos apie šaltnešio pridėjimą ieškokite išorinio įrenginio montavimo vadove.

NUOTOLINIO VALDYMO PULTELIS

Rekomenduojamos nuotolinio valdymo pultelio laikymo sąlygos yra tokios:

- Kur įrenginį lengva naudoti ir jis gerai matomas.
- Kur vaikai negali jo pasiekti.
- Išrinkite vietą, esančią maždaug 1,2 m virš grindų ir patikrinkite, ar toje vietoje vidinis įrenginys neabejotinai priima nuotolinio valdymo pultelio signalus (turi pasigirsti signalo priėmimo pyptelėjimas arba pyptelėjimas du kartus).

Pastaba.

Kambariuose, kuriuose naudojamos inverterio tipo fluorescencinės lempos, belaidžio nuotolinio valdymo pultelio signalas gali būti nepriimamas.

Pastaba.

Nemontuokite įrenginio toliau išvardytose vietose, nes jose oro kondicionieriaus veikimas gali sutrikti.

- ten, kur galimas degiųjų dujų nuotėkis;
- ten, kur yra daug automobilių tepalų;
- ten, kur taškomi tepalai arba yra daug tepalų dūmų (pvz., maisto gaminimo vietoje ir gamyklose, kuriose gali pasikeisti ir gali būti pažeistos plastiko savybės);
- druskingose vietose, tokiose kaip paplūdimys;
- ten, kur išsiskiria dujos, kuriose yra sulfidų, tokių kaip karštose versmėse,
- vietose, kur naudojama aukšto dažnio ar bevielė įranga;
- ten, kur esama didelių kiekių lakiųjų organinių junginių, įskaitant flatalų junginius, formaldehidą ir pan., nes gali prasidėti cheminis krekingas;
- įrenginį reikia laikyti ten, kur jis negali būti mechaniškai pažeistas.

1-3. TECHNINIAI DUOMENYS

Modelis	Maitinimas *1		Techniniai laidų duomenys *2	Vamzdelio dydis (storis *3, *4, *5, *6)		Izoliacijos storis *7, *8
	Nurodytoji įtampa	Dažnis		Dujų	Skysčių	
MFZ-KT25VG	230 V	50 Hz	4-ių gyslų 2,0 mm ²	ø9,52 mm (0,8 mm)	ø6,35 mm (0,8 mm)	14 mm
MFZ-KT35VG				ø12,7 mm (0,8 mm)		
MFZ-KT50VG				ø15,88 mm (0,8 mm)		
MFZ-KT60VG						

- *1 Prijunkite prie galios jungiklio su 3 ar daugiau mm tarpu, jei atjungama šaltinio galios fazė pertraukti. (Kai galios jungiklis išjungiamas, jis turi pertraukti visas fazes.)
- *2 Naudokite projekto 60245 IEC 57 nuostatas atitinkančius laidus.
- *3 Niekada nenaudokite plonesnių, nei nurodyta, vamzdelių. Bus nepakankamas atsparumas slėgiui.
- *4 Naudokite varinį vamzdelį arba vario lydinio besiūlį vamzdelį.
- *5 Būkite atsargūs – nesuspauskite ir neperlenkite vamzdelių juos lenkdami.
- *6 Šaltnešio vamzdelio lenkimo spindulys turi būti 100 ar daugiau mm.
- *7 Izoliacinė medžiaga: karščiui atsparus putplastis (savitasis svoris – 0,045)
- *8 Būtinai naudokite nurodyto storumo izoliaciją. Per stora izoliacija vidinį įrenginį gali netinkamai izoliuoti, o dėl nepakankamos izoliacijos įrenginys gali aprasoti.

1-4. MONTAVIMO SCHEMA

Jei ruošiatės montuoti išorinį įrenginį, apie tai skaitykite išorinių įrenginių montavimo vadove.

Vamzdelių techninių duomenų lentelėje nenurodytas mažiausias linijos komplekto ilgis. Tačiau labai tyliose vietose sistamai veikiant įprastai iš vidinių įrenginių, kurių prijungtų vamzdelių ilgis yra mažiau nei 3 m, protarpiais gali girdėtis triukšmas. Atsižvelkite į šią svarbią informaciją, kai montuojate ir statote vidinį įrenginį kondicionuojamoje patalpoje.

Kliūtys viršuje
Kliūtį galima montuoti šioje vietoje.

Būtinai naudokite skylės sienoje movą (C), kad vidinio / išorinio įrenginio jungiamasis laidas (A) nesiliestų prie metalinių dalių sienoje, o jei siena tuščia vidurė – kad laido neapgraužtų graužikai.

Skylės sienoje mova (C) | Skylės sienoje dangtelis (D) | Skylės sienoje tarpas užtaisyskite glaistu (H) | Vidinis įrenginys | Vamzdelį pritvirtinkite prie sienos vamzdelių tvirtinimo juostele (E) | Nupjaukite nereikiamą ilgį. | Vamzdelių tvirtinimo juostelė (E) | Fiksuojamasis varžtas (F)

Patikrinę, ar nėra nuotėkio, stipriai, nepalikdami jokio tarpo, apvyniokite izoliacine medžiaga.

Uždenkite jungiamąją dalį juosta, kad neprasisunktų vanduo.

Jei vamzdelius tvirtinsite prie sienos su metalo dalimis (padengtos skarda) arba metalo tinkleliu, tarp sienos ir vamzdelių įstatykite chemiškai apdirbtą 20 mm arba storesnį medžio gabaliuką arba vamzdelius apvyniokite izoliacine vinilo juostele. Norėdami naudoti esamus vamzdelius, 30-čiai minučių įjunkite režimą COOL ir išsiurbkite prieš nuimdami seną oro kondicionierį. Suvalcuokite pagal naujojo šaltnešio matmenį.

⚠ ⚠ ĮSPĖJIMAS

Kad nekiltų gaisro pavojus, pritvirtinkite arba apsaugokite šaltnešio vamzdelius. Išoriniai šaltnešio vamzdelių pažeidimai gali būti gaisro priežastimi.

Įrenginius turi sumontuoti licencijuotas rangovas pagal vietos kodekso reikalavimus.

DALYS

Prieš pradėdami montuoti patikrinkite toliau nurodytas dalis.

(1) Išpilamoji žarnelė*	1
(2) Vamzdelio gaubtas	1
(3) Sąvarža	2
(4) Bateria (AAA), skirta (10)	2
(5) Vidinio įrenginio montavimo laikiklis	1
(6) Fiksuojamasis varžtas, skirtas (5) 4 x 25 mm	5
(7) Medvaržtis vidiniam įrenginiui tvirtinti	4
(8) Poveržlė, skirta (7)	4
(9) Fetrinė juostelė (vamzdeliams kairėje arba galinėje kairėje pusėje)	1
(10) Belaidis nuotolinio valdymo pultelis	1
(11) Oro valymo filtras	2
(12) Jungiamasis vamzdelis (Tik KT60)	1
(13) Jungiamojo vamzdelio gaubtas (Tik KT60)	1
(14) Pertraukiklio žyma	1
(15) Pertraukiklio pranešimas	1

*Pastaba.

Išpilamoji žarnelė yra prijungta prie įrenginio.

DARBO VIETOJE PATEIKIAMOS DALYS

(A) Vidinio/išorinio įrenginio jungiamasis laidas*	1
(B) Vamzdelio ilgintuvas	1
(C) Skylės sienoje mova	1
(D) Skylės sienoje dangtelis	1
(E) Vamzdelių tvirtinimo juostelė	nuo 2 iki 5
(F) Fiksuojamasis varžtas, skirtas (E) 4 x 20 mm	nuo 2 iki 5
(G) Vamzdelių juostelė	1
(H) Glaistas	1
(J) Išpilamoji žarnelė (arba minkštojo viniplasto žarnelė, 15 mm vidinio skersmens, arba kietojo viniplasto vamzdelis VP16)	1 arba 2
(K) Maitinimo laidas*	1
(L) Juosta (tik „Wi-Fi“ sąsajos ryšys)	2

*Pastaba.

Vidinio/išorinio įrenginio jungiamąjį laidą (A) ir maitinimo laidą (K) padėkite mažiausiai 1 m atstumu nuo televizijos antenos laido.

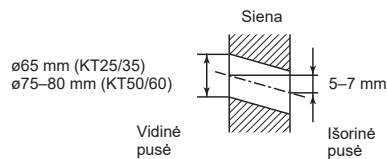
2. VIDINIO ĮRENGINIO MONTAVIMAS

2-1. VIDINIO ĮRENGINIO MONTAVIMO LAIKIKLIO TVIRTINIMAS

- Nemontuokite vidinio įrenginio vietoje, esančioje daugiau kaip 150 mm aukščiau nuo žemės paviršiaus.
- Sienoje susiraskite konstrukcinę dalį (pvz., statramsčių) ir horizontaliai pritvirtinkite laikiklį (5) fiksuojamaisiais varžtais (6).
- Fiksuojamuosius varžtus būtina sukite į iliustracijoje pažymėtas skylutes, kad laikiklis (5) neviruotų. Papildomai sutvirtinti galima fiksuojamuosius varžtus įsukant ir į kitas skylutes.

2-2. SKYLĖS GREŽIMAS

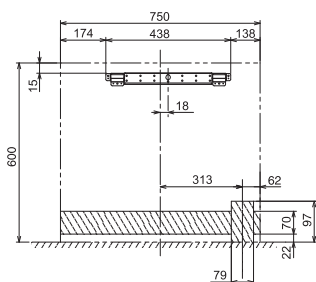
- 1) Išsirinkite skylės sienoje padėtį.
- 2) Išgręžkite 65 mm skersmens skylę (75–80 mm skersmens, kai naudojate KT50/60). Išorinė pusė turėtų būti nuo 5 iki 7 mm žemiau nei vidinė pusė.
- 3) Įstatykite skylės sienoje movą (C).



SKYLIŲ VIETOS

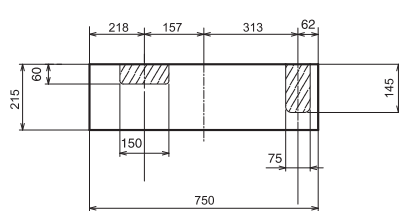
VAMZDELIAMS GALINĖJE AR KAIRĖJE GALINĖJE PUSĖJE

(Šiame paveikslėlyje parodytas vidinio įrenginio montavimo vietas vaizdas iš priekio.)

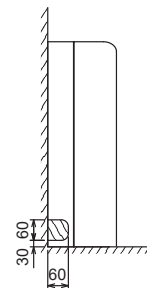


ŽEMYN NUKREIPTIEMS VAMZDELIAMS DEŠINĖJE AR KAIRĖJE PUSĖJE

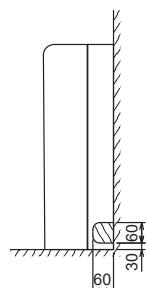
(Šiame paveikslėlyje parodytas vidinio įrenginio dugno vaizdas iš viršaus.)



VAMZDELIAMS KAIRĖJE



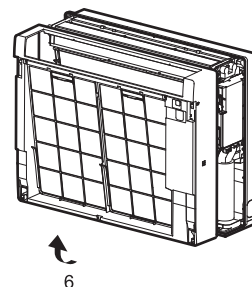
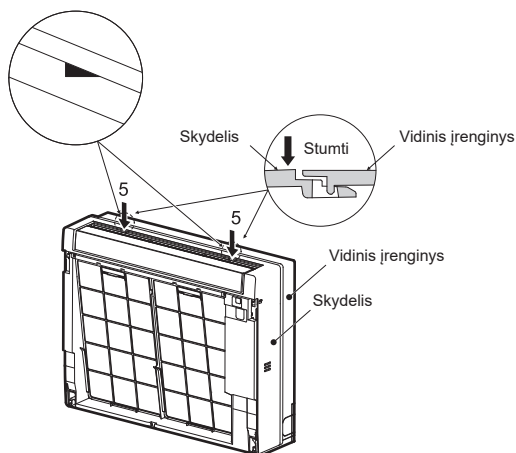
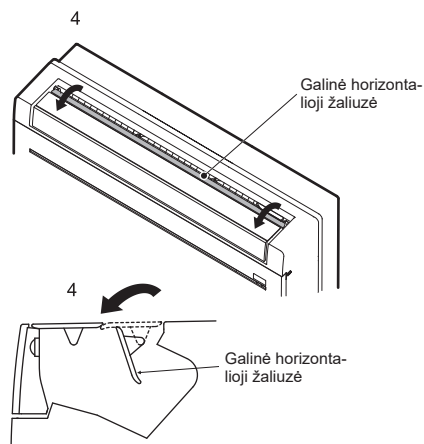
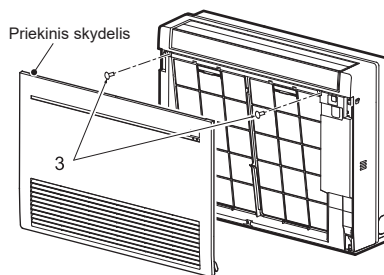
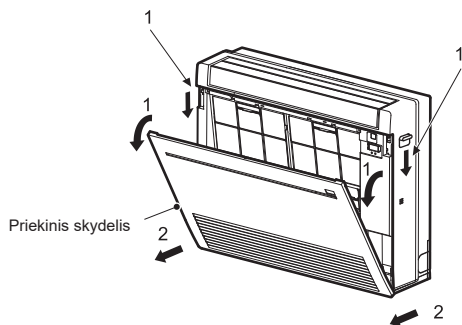
VAMZDELIAMS DEŠINĖJE



2-3. VIDINIO ĮRENGINIO PARUOŠIMAS

Nuimkite vidinio įrenginio priekinį skydelį.

- 1) Abiejose įrenginio pusėse paspauskite auselę, kad atidarytumėte priekinį skydelį.
- 2) Traukite priekinį skydelį savęs link, kad jį nuimtumėte.
- 3) Išsukite 2 varžtus.
- 4) Atidarykite galinę horizontalią žaliuzę.
- 5) Paspauskite skydelio viršutinę dalį 2 vietose, tada traukite skydelio viršutinę dalį savęs link.
- 6) Kilstelėdami skydelį (šiek tiek), jį nuimkite.



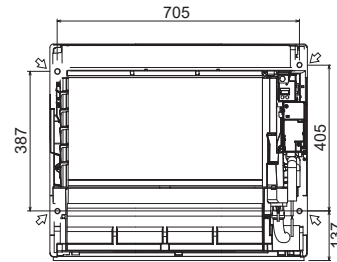
2-4. VIDINIO ĮRENGINIO MONTAVIMAS

2-4-1. VIDINIO ĮRENGINIO MONTAVIMAS ANT GRINDŲ

- 1) Padėkite vidinį įrenginį ant lygių grindų.
- 2) Pridėtais medvaržčiais (7) ir poveržlėmis (8) pritvirtinkite vidinį įrenginį 4 taškuose. Gerai užveržkite varžtus.

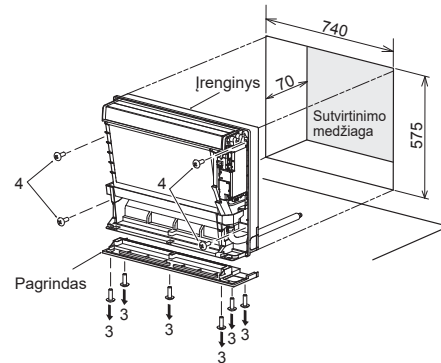
2-4-2. VIDINIO ĮRENGINIO MONTAVIMAS PRIE SIENOS

- 1) Vidinio įrenginio viršutinę dalį pakabinkite ant jam skirto montavimo laikiklio (5).
- 2) Pridėtais medvaržčiais (7) ir poveržlėmis (8) pritvirtinkite vidinį įrenginį 4 taškuose. Gerai užveržkite varžtus.



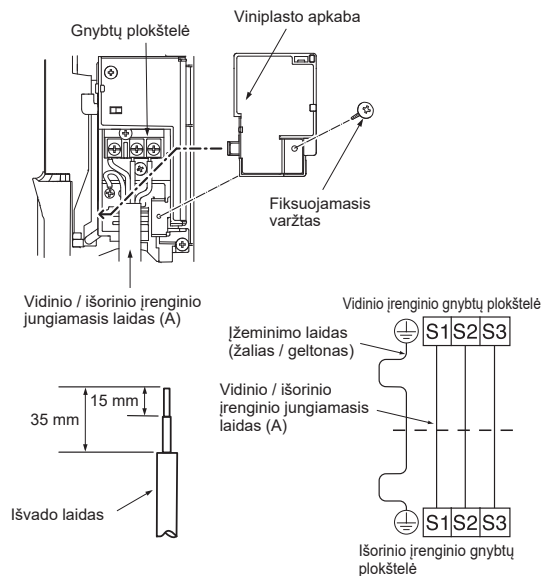
2-4-3. VIDINIO ĮRENGINIO INTEGRAVIMAS Į SIENĄ

- 1) Padarykite angą sienoje.
- 2) Sutvirtinimo medžiaga pakoreguokite gylį.
- 3) Išsukite 6 varžtus, kuriais prie įrenginio pritvirtintas pagrindas. Nuimkite pagrindą nuo įrenginio.
- 4) Pridėtais medvaržčiais (7) ir poveržlėmis (8) pritvirtinkite vidinį įrenginį 4 taškuose. Gerai užveržkite varžtus.



2-5. VIDINIO ĮRENGINIO LAIDŲ PRIJUNGIMAS

- 1) Nuimkite viniųplasto apkabą.
- 2) Iš vidinio įrenginio galinės dalies ištieskite vidinio / išorinio įrenginio jungiamąjį laidą (A) ir sutvarkykite laido galiuką.
- 3) Atsukite gnybtų varžtą ir prie gnybtų plokštelės pirmiausia prijunkite įžeminimo laidą, tada – vidinio / išorinio įrenginio jungiamąjį laidą (A). Būkite atidūs, kad nesujungtumėte laidų netinkamai. Laidą saugiai pritvirtinkite prie gnybtų plokštelės, kad nesimatytų jokios laido šerdies dalies, o į jungiamąją gnybtų plokštelės dalį nepersiduotų išorinė jėga.
- 4) Stipriai priveržkite gnybtų varžtus, kad negalėtų atsilaisvinti. Priveržę švelniai truktelėkite už laidų, kad įsitikintumėte, jog jie nejuda.
- 5) Vidinio / išorinio įrenginio jungiamąjį laidą (A) ir įžeminimo laidą pritvirtinkite viniųplasto apkaba. Būtinai visada užkabinkite kairįjį viniųplasto apkabos fiksa-torių. Tvirtai uždėkite viniųplasto apkabą.



- Įžeminimo laidą padarykite truputį ilgesnį už kitus laidus. (Daugiau nei 45 mm)
- Atsižvelgdami į tai, kad ateityje bus atliekami techninės priežiūros darbai, jungiamuosius laidus palikite ilgesnius, nei reikia.
- Likusio laido dalies nelenkite ir nesugrūskite į mažą erdvę. Saugokite laidus, kad jų nepažeistumėte.
- Prie gnybtų plokštelės jungdami šerdį ir (arba) laidus, būtinai kiekvieną varžtą įsukite į atitinkamą gnybtą.

⚠ ĮSPĖJIMAS

Montuodami įrenginį šaltnešio vamzdelius saugiai prijunkite prieš įjungdami kompresorių.

2-6. VAMZDELIO FORMAVIMAS IR MONTAVIMAS

Pastaba. Žr. 3. VALCUOTOS DALIES PRIJUNGIMAS, VAMZDELIO PRIJUNGIMAS.

Vamzdelio formavimas

- Ištieskite išpilamąją žarnelę įstrižai po jungiamaisiais vamzdeliais.
- Įsitikinkite, kad išpilamosios žarnelės nenutiesėte į viršų ir kad ji yra tiesi.
- Vyniodami juostelę netempkite žarnelės.
- Nutieskite vamzdelius taip, kad jie nekyšotų už vidinio įrenginio galo. (Žr. paveikslėlį dešinėje.)

Vamzdelių montavimo prijungimas

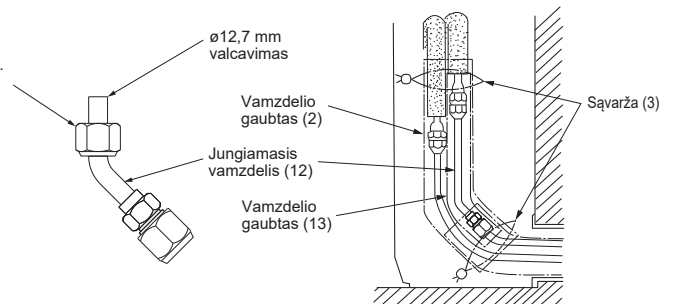
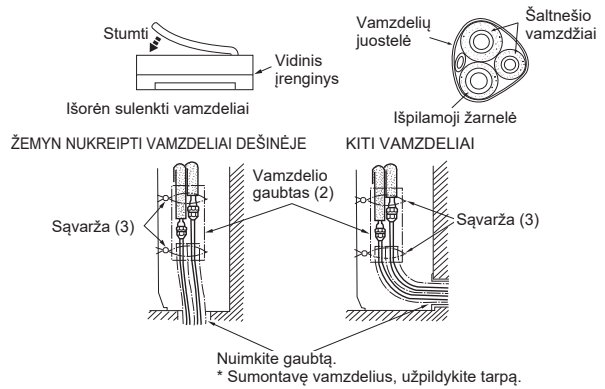
- Sumontuokite jungiamuosius vamzdelius taip, kad vamzdeliai galėtų šiek tiek judėti pirmyn, atgal, kairėn ir dešinėn.
- Kai dangtelis nuimtas, būtinai uždenkite vamzdelius, kad sumontavus vamzdelius kambaryje nesimatytų jokių vamzdelių.
- Sumontavę vamzdelius, užpildykite tarpą.

- Būtinai uždenkite jungiamuosius vamzdelius izoliacine medžiaga, kad jie neliestų skydelio.
- Vamzdelius lenkite atsargiai, kad jų nesulenktumėte.

Informacija dėl MFZ-KT60

- Būtinai naudokite jungiamąjį vamzdelį (12) – to nepadarus, nepavyks užfiksuoti $\varnothing 15,88$ mm ilginamojo vamzdelio.
- Valcuokite jungiamąjį vamzdelį (12) iki $\varnothing 12,7$ mm ir uždėkite vamzdelio gaubtą (13).

Naudokite prie įrenginio prijungtą valcuotą veržlę. Atsižvelkite į veržlių kryptį.



VAMZDELIAMS KAIRĖJE ARBA KAIRĖJE GALINĖJE PUSĖJE

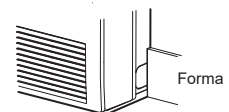
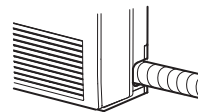
Suimkite jungiamuosius vamzdelius ir išpilamąją žarnelę į vieną ryšulį ir apvyniokite fetrine juostele (9).

Vidinio įrenginio kairėje ir dešinėje nupjaukite ir naudokite apatinės dalies skydelius, kaip parodyta toliau.

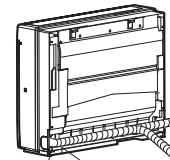
Sulyginkite nupjautus šoninių skydelių kraštus, kad jie nepažeistų izoliacinės dangos.

- Vamzdeliams kairėje arba dešinėje
- Montavimas lygiai su siena, naudojant formą

Tvirtai fetrine juostele (9) apvyniokite vamzdelius ir žarnelę – pradėkite beveik toje pačioje vietoje, kurioje iš vidinio įrenginio nutiesti vamzdeliai ir žarnelė. (Fetrinės juostelės (9) persidengimo plotis neturi būti didesnis kaip 1/2 juostelės pločio.)



Nupjaukite apatinės pusės skydelius, kad atitiktų formos aukštį.



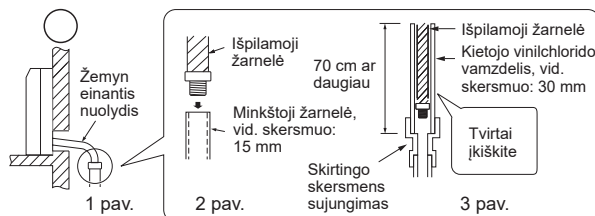
Pradėkite vynioti vamzdelių juostelę (9) aplink vamzdelius ir žarnelę, palikdami 10 mm tarpelį vidiniame įrenginyje.

Fiksukite fetrinės juostelės (9) galą juostos fiksiatoriumi.

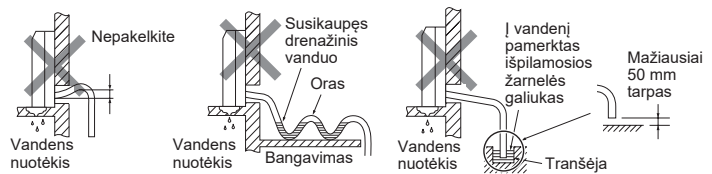
Patikrinkite, ar išpilamoji žarnelė nėra nutiesta į viršų.

2-7. DRENAŽINIAI VAMZDELIAI

- Jei išpilamosios žarnelės ilgutavas turi būti nutiesti per kambarį, būtinai jį apvyniokite parduotuvėje parduodama izoliacija.
- Išpilamoji žarnelė turi būti nukreipta žemyn, kad srovė tekėtų lengvai. (1 pav.)
- Jei prie vidinio įrenginio pridėta išpilamoji žarnelė yra per trumpa, prijunkite ją kartu su išpilamąja žarnele (J), kuri turi būti pateikiama jūsų darbo vietoje. (2 pav.)
- Lipnia juosta ar kita medžiaga užsandarinkite jungtį tarp prietaiso išleidimo žarnos ir papildinimo drenažo jungties (vidinis skersmuo – 16 mm) (J).
- Jei išpilamąją žarnelę jungsite prie kietojo vinilchlorido vamzdelio, pasirūpinkite, kad ji būtų tvirtai įkišta į vamzdelį. (3 pav.)

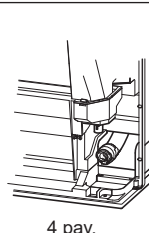


Drenažinių vamzdelių neformuokite, kaip parodyta toliau.

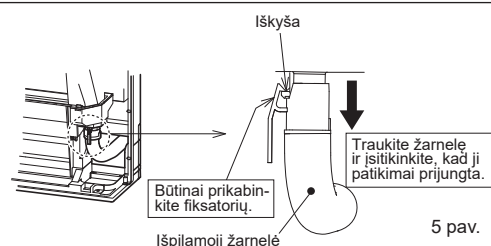


Montuojant išpilamąją žarnelę reikia atjungti.

- Kai tiesiate drenažinius vamzdelius, įsitikinkite, kad išpilamoji žarnelė (1) yra nuvesta, kaip parodyta. (4 pav.)
- Kiškite išpilamąją žarnelę iki galo į išpylimo vonelės (galinė jungtis) pagrindą. (5 pav.) Įsitikinkite, kad išpilamosios žarnelės fiksiatorius patikimai užsikabino už iškyšos ant išpylimo vonelės žarnelės tvirtinimo detalės.
- Prijungę išpilamąją žarnelę, būtinai ją patraukite ir patikrinkite, ar ji patikimai prijungta.



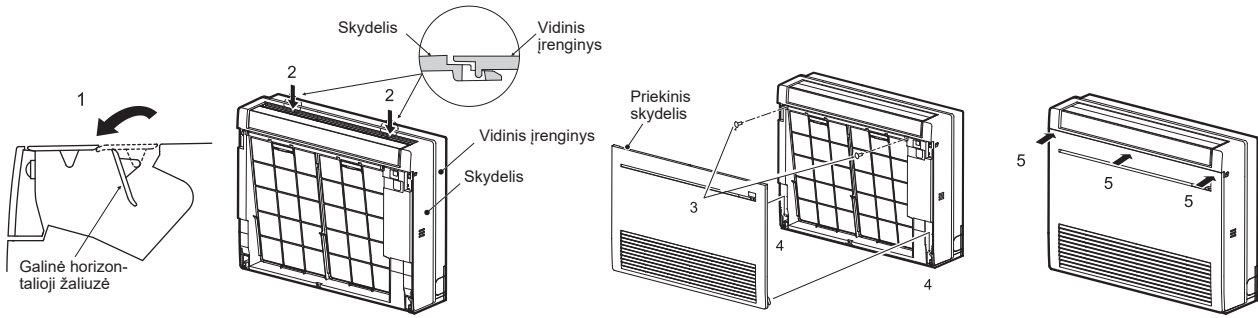
4 pav.



5 pav.

2-8. PRIEKINIO SKYDELIO MONTAVIMAS

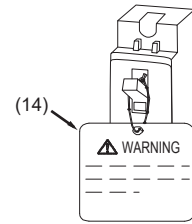
- 1) Atidarykite galinę horizontalią žaliuzę.
- 2) Pritvirtinkite skydelį. Įsitinkinkite, kad fikساتoriai užsifiksavo.
- 3) Varžtais pritvirtinkite skydelį.
- 4) Įkiškite priekinio skydelio apatinę dalį.
- 5) Paspauskite priekinio skydelio viršutinę dalį 3 vietose, kad uždarytumėte.



2-9. KAIP PRITVIRTINTI ETIKETĘ IR PAAIŠKINIMAS

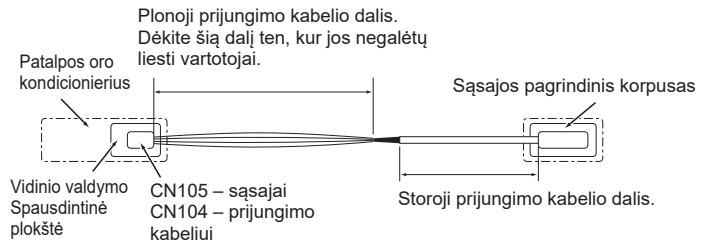
Kai neatliekate techninės priežiūros ar patikros užduočių, pertraukiklis visada turi būti **ĮJUNGTA**. Ant pertraukiklio pakabinkite pridedamą etiketę (14) arba (15) ir paaiškinkite ją klientams. IŠJUNGUS pertraukiklį, vidiniame įrenginyje sumontuotas šaltnešio jutiklis nėra maitinamas, todėl šaltnešio nuotėkis nebus aptiktas.

Pastaba. Kai prijungiate atskiro vidinio / išorinio įrenginio maitinimo laidus, ant vidinio įrenginio šone esančio pertraukiklio pakabinkite pridedamą etiketę (14) arba (15) ir paaiškinkite ją klientams.



2-10. SAŠAJOS (pasirinktis) / JUNGTIES KABELIO (pasirinktis) PRIJUNGIMAS PRIE ORO KONDICIONIERIAUS

- Sašajos / prijungimo kabeliu prijunkite sašają prie oro kondicionieriaus vidinio valdymo spausdintinės plokštės.
- Sašajos / prijungimo kabelio nupjovimas ar pailginimas lems prijungimo defektus. Nesusukite prijungimo kabelio kartu su maitinimo laidu, vidinio / išorinio prijungimo laidu ir (arba) žeminimo laidu. Išlaikykite kuo didesnę atstumą tarp prijungimo kabelio ir šių laidų.
- Prijungimo kabelio plonoji dalis turi būti laikoma ir dedama ten, kur jos negalėtų paliesti vartotojai.

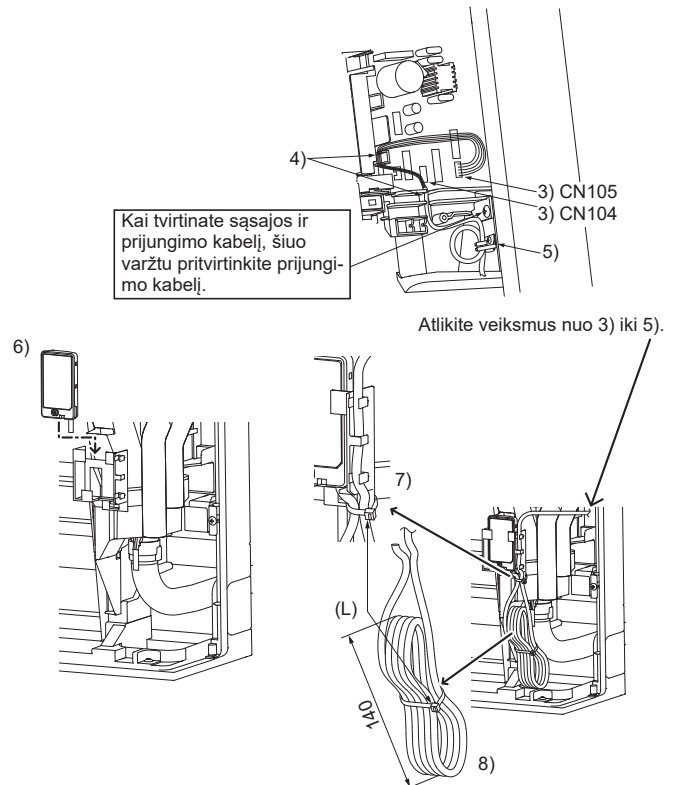


- 1) Nuimkite skydelį.
- 2) Atidarykite vidinio valdymo spausdintinės plokštės dangtelį.
- 3) Prijunkite prijungimo kabelį prie CN105 ir (arba) CN104 prie vidinio elektroninio valdymo spausdintinės plokštės.
- 4) Nutieskite prijungimo kabelį per šį paveikslėlyje parodytą tašką.
- 5) Pritvirtinkite su sašaja / prijungimo kabeliu pristatytą kabelio spaustuką prie prijungimo kabelio storosios dalies 4 x 16 dydžio varžtu, kaip parodyta paveikslėlyje.
- 6) Uždarykite vidinio valdymo spausdintinės plokštės dangtelį. Būkite atsargūs, kad prijungimo kabelio plonosios dalies nepridarytumėte dangteliu. Vėl uždėkite skydelį.

Pastaba.

Prijungdami „Wi-Fi“ sašają (parinktis) įdėkite sašają į laikiklį, kaip parodyta paveikslėlyje. Sureguliuokite kabelio ilgį ir apjuoskite jį, kaip parodyta paveikslėlyje.

- 1) Nuimkite skydelį.
- 2) Atidarykite vidinio valdymo spausdintinės plokštės dangtelį.
- 3) Prijunkite prijungimo kabelį prie CN105 ant vidinio valdymo spausdintinės plokštės.
- 4) Nutieskite prijungimo kabelį per šį paveikslėlyje parodytą tašką.
- 5) Pritvirtinkite su sašaja / prijungimo kabeliu pristatytą kabelio spaustuką prie prijungimo kabelio storosios dalies 4 x 16 dydžio varžtu, kaip parodyta paveikslėlyje.
- 6) Nustatykite „Wi-Fi“ sašają laikiklyje.
- 7) Įstatykite jungiamąjį kabelį į laikiklį, tada pritvirtinkite jį juosta (L).
- 8) Suriškite perteklinį kabelį su juosta (L). Suvyniota dalis turėtų būti apie 140 mm.
- 9) Uždarykite vidinio valdymo spausdintinės plokštės dangtelį. Būkite atsargūs, kad prijungimo kabelio plonosios dalies nepridarytumėte dangteliu. Vėl uždėkite skydelį.



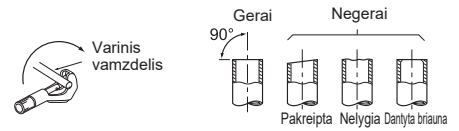
⚠ ĮSPĖJIMAS

Saugiai pritvirtinkite prijungimo kabelį nurodytoje padėtyje. Dėl netinkamo montavimo galima patirti elektros smūgį, gali kilti gaisras ir (arba) atsirasti triktis.

3. VALCUOTOS DALIES PRIJUNGIMAS, VAMZDELIO PRIJUNGIMAS

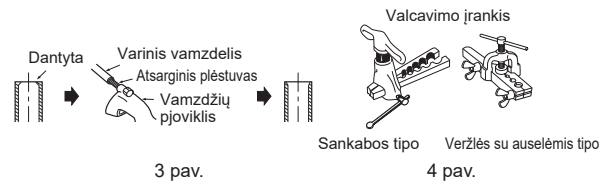
3-1. VALCAVIMAS

- Vamzdelių pjovikliu taisyklingai nupjaukite varinį vamzdelį. (1, 2 pav.)
- Iš vamzdelio pjūvio vietos pašalinkite visas atplaišas. (3 pav.)
 - Nubraukdami atplaišas apverskite varinį vamzdelį žemyn, kad atplaišos nesukristų į vamzdelio vidų.
- Iš vidinio ir išorinio įrenginių išsukite valcuotas veržles ir nubraukę atplaišas veržles uždėkite ant vamzdelio. (Po valcavimo jų ant vamzdelio uždėti nebegalėsite.)
- Valcavimas (4, 5 pav.). Tvirtai laikykite varinį vamzdelį lentelėje nurodytame dydyje. Atsižvelgdami į naudojamą įrankį pasirinkite mm iš lentelės A dalies.
- Patikrinkite
 - Valcavimo rezultatą palyginkite su 6 pav.
 - Jei pastebėjote, kad valcuota vieta yra su defektais, nupjaukite valcuotą dalį ir valcuokite iš naujo.



1 pav.

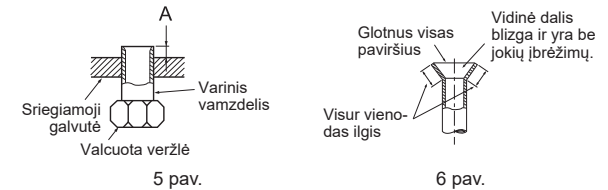
2 pav.



3 pav.

4 pav.

Vamzdelio skersmuo (mm)	Veržlė (mm)	A (mm)			Veržimo sukimo momentas	
		Sankabos tipo valcavimo įrankis, skirtas R32, R410A	Sankabos tipo valcavimo įrankis, skirtas R22	Veržlės su auselėmis tipo valcavimo įrankis, skirtas R22	N•m	kgf•cm
ø6,35 (1/4")	17	0–0,5	1,0–1,5	1,5–2,0	14–18	140–180
ø9,52 (3/8")	22			34–42	340–420	
ø12,7 (1/2")	26			2,0–2,5	49–61	490–610
ø15,88 (5/8")	29			-	68–82	680–820



5 pav.

6 pav.

3-2. VAMZDELIO PRIJUNGIMAS

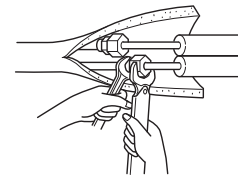
- Priveržkite valcavimo veržlę dinamometrinio raktu, kaip nurodyta lentelėje.
- Priveržus per stipriai, po ilgo laiko valcuota veržlė gali nulūžti ir atsirasti šaltnešio nuotėkis.
- Būtinai vamzdelius apvyniokite izoliacija. Prisilietus prie plikų vamzdelių galima nusi-deginti arba nušalti.

Vidinio įrenginio prijungimas

- Prie vidinio įrenginio prijunkite skysčių ir dujų vamzdelius.
- Aušinimo alyvos neužtepkite ant varžtų sriegių. Per stipriai prisukus varžtas susigadins.
- Norėdami prijungti, pirmiausia sulygiuokite centrinę dalį, po to ranka prisukite pirmuosius 3 ar 4 valcavimo veržlės sūkius.
- Vidinio įrenginio šoninio sujungimo dalį pritvirtinkite pagal pirmiau pateiktą veržimo sukimo momento lentelę ir priveržkite naudodami du raktus. Per stipriai priveržus sugadinama valcuota dalis.

⚠ ĮSPĖJIMAS

Patalpose negalima naudoti mechaninių jungčių ir jungčių su movomis. Kai šaltnešio vamzdžius prijungiate lituodami, o ne naudodami jungtis su movomis, visus litavimo darbus atlikite prieš prijungdami vidinį įrenginį prie išorinio įrenginio.



⚠ ĮSPĖJIMAS

Montuodami įrenginį šaltnešio vamzdelius saugiai prijunkite prieš įjungdami kompresorių.

4. TESTAVIMAS

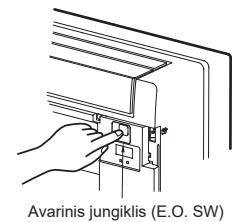
4-1. TESTAVIMAS

Užtikrinkite, kad būtų atlikti šie veiksmai.

- Skydelis yra tinkamai sumontuotas.
 - Vidinis ir išorinis įrenginiai yra tinkamai sumontuoti, jiems tiekiamas maitinimas.
- Vieną kartą paspauskite mygtuką E.O. SW, jei norite įjungti režimą COOL ir paspauskite du kartus, jei norite įjungti režimą HEAT. Testavimas bus vykdomas 30 minučių. Jei kairioji veikimo indikatorius lemputė mirksi kas 0,5 sekundės, patikrinkite, ar neatsijungė vidinio / išorinio įrenginio jungiamasis laidas (A). Pasibaigus testavimui bus paleistas avarinio veikimo režimas (nustatyta temperatūra yra 24 °C).
 - Norėdami operaciją sustabdyti, kelis kartus paspauskite mygtuką E.O. SW, kol išsijungs visos diodinės šviesos lempos. Išsamesnę informaciją rasite naudojimo instrukcijoje.

Patikrinkite nuotolinio (infraraudonojo) signalo priėmimą.

- Nuotolinio valdymo pultelyje (10) paspauskite mygtuką ON/OFF (įjungimas/išjungimas) ir patikrinkite, ar iš vidinio įrenginio girdisi elektroninis garsas. Dar kartą paspauskite mygtuką ON/OFF (įjungimas/išjungimas), kad vidinį įrenginį išjungtumėte.
- Kompresoriui sustojus suveikia apsaugos nuo pakartotinio paleidimo prietaisas, todėl kompresorius neveiks 3 minutes, taip apsaugodamas oro kondicionierių.



Avarinis jungiklis (E.O. SW)

4-2. AUTOMATINIO PAKARTOTINIO PALEIDIMO FUNKCIJA

Šiame gaminyje įdiegta automatinio pakartotinio paleidimo funkcija. Jei įrenginio maitinimas jam veikiant nutraukiamas, pvz., dingus elektrai, ši funkcija įrenginį automatiškai pagal pirmiau nustatytus nustatymus, kai tik elektra vėl atsiras. (Išsamesnę informaciją rasite naudojimo instrukcijoje.)

Atsargiai.

- Atlikę testavimą ar patikrinę nuotolinio signalo priėmimą, išjunkite įrenginį naudodami mygtuką E.O. SW arba nuotolinio valdymo pulteliu prieš atjungdami įrenginio maitinimą. Kitaip įrenginys ims veikti automatiškai, kai tik vėl bus įjungtas maitinimas.

Naudotojui

- Sumontavę įrenginį būtinai naudotojui paaiškinkite apie automatinio pakartotinio paleidimo funkciją.
- Jei automatinio pakartotinio paleidimo funkcija nereikalinga, ją galima išjungti. Dėl funkcijos išjungimo kreipkitės į techninės priežiūros techniką. Išsamesnę informaciją rasite techninės priežiūros vadove.

4-3. PAAIŠKINIMAI NAUDOTOJU

- Naudodami NAUDOJIMO INSTRUKCIJĄ, paaiškinkite naudotojui, kaip naudotis oro kondicionieriumi (kaip naudoti nuotolinį valdymo pultą, kaip išimti oro filtrus, kaip išimti arba įdėti nuotolinio valdymo pultą į nuotolinio valdymo pulto laikiklį, kaip valyti, naudojimo atsargumo priemonės ir pan.).
- Parekomenduokite naudotojui atidžiai perskaityti NAUDOJIMO INSTRUKCIJĄ.

5. VAKUUMAVIMAS

Žr. išorinio įrenginio montavimo vadove nurodytus procesus.

ĮSPĖJIMAS

Kai šaltnešio grandinėje yra protėkis, nevakuuokite naudodami kompresorių. Jei vakuumuojate šaltnešį, kompresorių sustabdykite prieš atjungdami šaltnešio vamzdelius. Į kompresorių patekus orui ar pan., jis gali sprogti.

SADRŽAJ

1. PRIJE INSTALACIJE	1
2. UGRADNJA UNUTARNJE JEDINICE	4
3. SPAJANJE PROŠIRENJA, SPAJANJE CIJEVI ...	8
4. PROBNI RAD	8
5. ISPUMPAVANJE	9

Nazivi modela navedeni su u 1-3.





Ovaj priručnik za ugradnju opisuje samo unutarnju jedinicu. Pogledajte priručnik za postavljanje vanjske jedinice kako biste postavili vanjske jedinice.

Alati potrebni za instalaciju

Phillips odvijač	Alat za matice s proširenjem R32, R410A
Libela	Razdjelni ventil s manometrom za R32, R410A
Mjerilo	Vakuumska crpka za R32, R410A
Univerzalni nož ili škare	Črijeva za punjenje za R32, R410A
Kružna pila 75 mm	Alat za rezanje cijevi s razvrtlačem
Momentni ključ	Boca za vodu
Viljuškasti ključ (ili matični ključ)	0,9 do 1,0 L vode

1. PRIJE INSTALACIJE

ZNAČENJE SIMBOLA PRIKAZANIH NA UNUTARNJOJ I/ILI VANJSKOJ JEDINICI

	UPOZORENJE (Opasnost od požara)	Ovaj uređaj koristi se zapaljivim rashladnim sredstvom. Ako rashladno sredstvo iscuri i dođe u dodir s vatrom ili dijelom za grijanje, stvorit će štetni plin i postoji opasnost od požara.
		Pažljivo pročitajte UPUTE ZA UPORABU prije rada.
		Servisno osoblje mora obvezno pročitati UPUTE ZA UPORABU i PRIRUČNIK ZA POSTAVLJANJE prije rada.
		Dodatne informacije dostupne su u UPUTAMA ZA UPORABU, PRIRUČNIKU ZA POSTAVLJANJE i slično.

1-1. UVIJEK SE TREBA PRIDRŽAVATI SLJEDEĆEG RADI SIGURNOSTI

- Prije postavljanja klima uređaja obvezno pročitajte "UVIJEK SE TREBA PRIDRŽAVATI SLJEDEĆEG RADI SIGURNOSTI".
- Obvezno se pridržavajte ovdje navedenih upozorenja i mjera opreza jer uključuju važne stavke koje se odnose na sigurnost.
- Nakon čitanja ovog priručnika, obvezno ga držite zajedno s UPUTAMA ZA UPORABU radi buduće uporabe.

⚠ UPOZORENJE (Može dovesti do smrti, ozbiljnih ozljeda itd.)

- **Nemojte sami instalirati jedinicu (korisnik).** Nepotpuna instalacija može uzrokovati požar, strujni udar, ozljede zbog pada jedinice ili curenje vode. Obratite se prodavaču od kojeg ste kupili jedinicu ili kvalificiranom instalateru.
- **Izvršite instalaciju sigurno u skladu s priručnikom za postavljanje.** Nepotpuna instalacija može uzrokovati požar, strujni udar, ozljede zbog pada jedinice ili curenje vode.
- **Prilikom ugradnje jedinice, koristite odgovarajuću zaštitnu opremu i alat radi sigurnosti.** Ako to ne učinite može doći do ozljede.
- **Postavite jedinicu čvrsto na mjesto koje može podnijeti težinu jedinice.** Ako mjesto ugradnje ne može podnijeti težinu jedinice, ona može pasti i prouzročiti ozljede.
- **Električne radove treba da izvodi kvalificirani, iskusni električar, prema priručniku za postavljanje. Obavezno koristite odvojeno strujno kolo. Nemojte spajati druge električne uređaje u to strujno kolo.** Ako je kapacitet strujnog kola nedovoljan ili postoji nepotpuna električna instalacija, to može dovesti do požara ili električnog udara.
- **Pravilno uzemljite jedinicu.** Nemojte spajati uzemljenje na cijev za plin, cijev za vodu, gromobran ili telefonsku žicu za uzemljenje. Neispravno uzemljenje može prouzročiti strujni udar.
- **Nemojte oštetiti žice primjenom prekomjernog pritiska s dijelovima ili vijcima.** Oštećene žice mogu prouzročiti požar ili strujni udar.
- **Obvezno isključite glavni dovod struje u slučaju postavljanja ploče unutarnjeg računala ili obavljanja poslova na ožičenju.** Ako to ne učinite, može doći do strujnog udara.
- **Upotrijebite naznačene žice za sigurno spajanje unutarnjih i vanjskih jedinica te čvrsto pričvrstite žice na priključne dijelove bloka za priključenje tako da se sila primijenjena na žice ne prenosi na dijelove. Nemojte produžiti žice, niti koristiti međupovezanu priključnicu.** Nepotpuna veza i pričvršćivanje mogu prouzročiti požar.
- **Nemojte montirati jedinicu na mjesto gdje može doći do curenja zapaljivog plina.** Ako plin curi i nakupi se u području oko jedinice, to može prouzročiti eksploziju.
- **Nemojte koristiti međupovezivanje kabela za napajanje ili produžnog kabela i nemojte spajati mnoge uređaje na jednu utičnicu za izmjeničnu struju.** To može prouzročiti požar ili strujni udar zbog neispravnog kontakta, neispravne izolacije, prekoračenja dopuštene struje itd.
- **Obavezno koristite predviđene dijelove ili određene dijelove za ugradnju.** Korištenje neispravnih dijelova može prouzročiti ozljedu ili curenje vode zbog požara, strujnog udara, pada jedinice itd.
- **Kada umetnete utikač kabela napajanja u utičnicu, uvjerite se da nema prašine, začepjenja ili labavih dijelova u utičnici i utikaču. Pobrinite se da je utikač napajanja potpuno gurnut u utičnicu.** Ako na utikaču ili na utičnici napajanja ima prašine, začepjenja ili labavih dijelova, to može prouzročiti strujni udar ili požar. Ako su na utikaču napajanja pronađeni labavi dijelovi, zamijenite ga.
- **Pričvrstite električni poklopac na unutarnju jedinicu i servisnu ploču na vanjsku jedinicu.** Ako električni poklopac unutarnje jedinice i/ili servisna ploča vanjske jedinice nisu pričvršćeni, to može prouzročiti požar ili strujni udar zbog prašine, vode itd.
- **Prilikom ugradnje, preseljenja ili servisiranja jedinice, provjerite da kolo rashladnog sustava ne ulazi nikakva druga tvar osim specificirane rashladne tekućine (R32/R410A).** Svaka prisutnost strane tvari kao što je zrak može prouzročiti abnormalni porast tlaka i može dovesti do eksplozije ili ozljede. Korištenje bilo koje rashladne tekućine koja nije naznačena za sustav prouzročit će mehanički kvar, kvar sustava ili prekid rada jedinice. U posebno teškim slučajevima, to bi moglo dovesti do ozbiljnih poteškoća sigurnosti proizvoda.
- **Ne preinačujte jedinicu.** Tako mogu nastati požar, strujni udar, ozljede ili curenje vode.
- **Nemojte ispuštati rashladno sredstvo u atmosferu. Ako rashladno sredstvo curi tijekom instalacije, prozračite sobu. Nakon završetka instalacije provjerite da rashladno sredstvo ne curi.** Ako rashladno sredstvo curi i dođe u dodir s vatrom ili zagrijanim dijelom grijača s ventilatorom, kerazinskog grijača ili štednjaka, to će stvoriti štetni plin. Osigurajte ventilaciju u skladu s EN378-1.
- **Koristite odgovarajuće alate i cjevovode za ugradnju.** Tlak R32/R410A je 1,6 puta veći od R22. Upotreba neodgovarajućih alata ili materijala i nepotpuna ugradnja može prouzročiti pucanje cijevi ili ozljedu.
- **Kada rashladni krug procuri, nemojte izvoditi ispušavanje kompresorom. Prilikom ubacivanja rashladnog sredstva, zaustavite kompresor prije odspajanja cijevi za rashladno sredstvo.** Ako su cijevi za rashladno sredstvo odvojene dok kompresor radi, a zaporni ventil je otvoren, zrak može biti uvučen i pritisak u rashladnom kolu mogao bi postati abnormalno visok. To može prouzročiti pucanje cijevi ili ozljedu.
- **Postavite prekidač propuštanja uzemljenja ovisno o mjestu ugradnje.** Ako nema prekidača za propuštanje uzemljenja, to može prouzročiti strujni udar.
- **Prilikom ugradnje jedinice, sigurno spojite cijevi za rashladno sredstvo prije pokretanja kompresora.** Ako se kompresor pokrene prije nego što su spojene cijevi za rashladno sredstvo i kada je zaporni ventil otvoren, zrak može biti uvučen i pritisak u rashladnom kolu mogao bi postati abnormalno visok. To može prouzročiti pucanje cijevi ili ozljedu.
- **Pričvrstite maticu s proširenjem momentnim ključem kako je navedeno u ovom priručniku.** Ako je pričvršćena previše čvrsto, matica s proširenjem može se slomiti nakon dugog razdoblja i uzrokovati curenje rashladnog sredstva.
- **Jedinica se treba instalirati u skladu s nacionalnim propisima o ožičenju.**
- **Kada koristite plinski plamenik ili drugu opremu koja proizvodi plamen, potpuno uklonite svo rashladno sredstvo iz klima uređaja i provjerite je li prostor dobro prozračen.** Ako rashladno sredstvo curi i dolazi u dodir s vatrom ili grijačem, to će stvoriti štetni plin i postoji opasnost od požara.
- **Nemojte koristiti sredstva za ubrzanje postupka odleđavanja ili za čišćenje, osim onih koje preporučuje proizvođač.**
- **Uređaj se pohranjuje u prostoriji u kojoj nema izvora paljenja koji neprekidno rade (na primjer: otvoren plamen, uključen uređaj koji radi na plin ili uključen električni grijač).**
- **Nemojte probijati ili zapaliti.**
- **Imajte na umu da rashladne tvari ne smiju sadržavati miris.**
- **Položene cijevi moraju biti zaštićene od fizičkih oštećenja.**
- **Instalacija položenih cijevi mora biti što kraća.**
- **Pridržavajte se nacionalnih propisa o plinu.**
- **Vodite računa da potrebni ventilacijski otvori nesmetano funkcioniraju.**
- **Držite plinske uređaje, električne grijače i ostale izvore plamena (izvore zapaljenja) podalje od mjesta na kojem će se izvoditi radovi ugradnje, popravka i ostali radovi vezani uz klimatizacijski uređaj.**
- **Uređaj treba skladištiti u dobro prozračenom području gdje veličina prostorije odgovara propisanoj veličini prostorije za rad.**
- **Ne isključujte prekidač, osim kada osjetite da nešto gori ili kada izvodite održavanje ili pregled.** Napon se ne može dovesti na senzor rashladnog sredstva ugrađen u unutarnju jedinicu i senzor ne može otkriti curenje rashladnog sredstva. Tako može nastati požar.
- **Dobro pričvrstite kabel za povezivanje na zadano mjesto.** Neispravna ugradnja može izazvati strujni udar, požar i/ili kvar.

- **Sigurno izvedite poslove oko polaganja odvodnih crijeva/cijevi prema priručniku za postavljanje.**
Ako postoji nedostatak odvodnim crijevima/cijevima, voda može padati iz jedinice, potopiti i oštetiti kućanske predmete.
- **Ne dirajte ulaz zraka ni aluminijska rebra vanjske jedinice.**
To može prouzročiti ozljede.
- **Nosite zaštitnu opremu kada dodirujete bazu vanjske jedinice.**
Može doći do ozljeda ako ne nosite zaštitnu opremu.

- **Nemojte postavljati vanjsku jedinicu u kojoj mogu živjeti male životinje.**
Ako male životinje ulaze i dodiruju električne dijelove unutar jedinice, to može prouzročiti kvar, ispuštanje dima ili požar. Također, savjetujte korisnicima da održavaju područje oko jedinice čistim.
- **Nemojte upravljati klimatizacijskim uređajem tijekom izvođenja unutarnjih i završnih radova, ili tijekom nanošenja voska na pod.**
Prije upravljanja klimatizacijskim uređajem dobro provjetrite prostoriju nakon što se bude obavljao taj posao. U suprotnom, to može prouzročiti da se hlapljivi elementi zadrže unutar klimatizacijskog uređaja, što dovodi do propuštanja vode ili raspršivanja rose.

- **Ne postavljajte jedinicu na mjesto koje mogu ispuniti dim, plin ili lijek.**
Senzor rashladnog sredstva ugrađen u unutarnju jedinicu može na to reagirati i prikazati pogrešku curenja rashladnog sredstva.
- **Obratite pozornost na okretanje ventilatora kada je prekidač uključen.**
Kada senzor rashladnog sredstva otkrije curenje rashladnog sredstva, ventilator se automatski počinje okretati. To može prouzročiti ozljedu.
- **Ako koristite aerosolne raspršivače za unutarnju izgradnju, završne radove ili brtvljenje zidne rupe, isključite prekidač i dobro prozračite sobu. Senzor rashladnog sredstva može reagirati na plin u raspršivačima i može uzrokovati pogrešno otkrivanje.**

1-2. ODABIR MJESTA ZA UGRADNJU

Ovaj priručnik opisuje ugradnju samo unutarnje jedinice.
Pri postavljanju vanjske jedinice, pogledajte priručnik za postavljanje vanjske jedinice.

UNUTARNJA JEDINICA

⚠ ⚠ UPOZORENJE

Ova jedinica mora se postaviti u prostorijama koje imaju veću površinu poda od one naznačene u priručniku za postavljanje vanjske jedinice.

- Pogledajte priručnik za postavljanje vanjske jedinice.

Prilikom ugradnje unutarnjih jedinica moraju biti zadovoljeni sljedeći uvjeti:

- Tamo gdje strujanje zraka nije blokirano.
- Tamo gdje se hladni (ili topli) zrak širi cijelom prostorijom.
- Čvrsti zid bez vibracija.
- Tamo gdje nije izložena izravnoj sunčevoj svjetlosti. Nemojte izlagati izravnoj sunčevoj svjetlosti također tijekom razdoblja nakon raspakiranja do neposredno prije uporabe.
- Tamo gdje se lako može isprazniti.
- Na udaljenosti 1 m ili više od televizora i radija. Rad klima uređaja može ometati radijski ili TV prijam. Možda će biti potrebno pojačalo za ometane uređaje.
- Na mjestu što je dalje moguće od fluorescentnih žarulja i žarulja sa žarnom niti. Kako bi infracrveni daljinski upravljač klima uređaja radio normalno. Toplina svjetla može uzrokovati deformaciju ili ultraljubičasto zračenje može uzrokovati pogoršanje.
- Tamo gdje se filter za zrak može lako ukloniti i zamijeniti.
- Tamo gdje je daleko od drugog izvora topline ili pare.
- Ne postavljajte jedinicu u okolinu u kojoj se upotrebljavaju plinska oprema za propan, butan ili metan, raspršivači poput insekticida, oprema koja proizvodi dim, materijal za oblogu i lijekovi ili na mjestima gdje nastaje plin na bazi sumpora.
- Senzor rashladnog sredstva ugrađen u unutarnju jedinicu može na to reagirati i prikazati pogrešku curenja rashladnog sredstva. Zbog toga jedinica možda neće moći raditi.

DALJINSKI UPRAVLJAČ

Sljedeći uvjeti poželjni su za pohranu daljinskog upravljača:

- Tamo gdje je jednostavan za rukovanje i lako vidljiv.
- Tamo gdje ga djeca ne mogu dodirnuti.
- Odaberite položaj oko 1,2 m iznad poda i provjerite jesu li signali s daljinskog upravljača zasigurno primljeni od unutarnje jedinice iz tog položaja (zvučni signali prijama 'bip' ili 'bip, bip').

Napomena:

U sobama u kojima se koriste fluorescentne svjetiljke s inverterom, signal iz bežičnog daljinskog upravljača možda neće biti primljen.

Napomena:

Izbjegavajte sljedeća mjesta za ugradnju u kojima se mogu pojaviti problemi s klima uređajem.

- Tamo gdje zapaljivi plin može curiti.
- Tamo gdje je prisutno mnogo strojnog ulja.
- Tamo gdje prska ulje ili gdje je područje ispunjeno uljnim dimom (kao što su mjesta gdje se kuha i tvornice u kojima se svojstva plastike mogu izmijeniti i oštetiti).
- Mjesta s mnogo soli, kao što je more.
- Tamo gdje nastaje sulfidni plin, kao što su vruća opruga, kanalizacija, otpadne vode.
- Tamo gdje postoji oprema s visokom frekvencijom ili bežična oprema.
- Tamo gdje postoji emisija visokih razina HOS-eva, uključujući ftalatne spojeve, formaldehid, itd., koje mogu prouzročiti kemijske napukline.
- Uređaj treba čuvati na način koji će onemogućiti pojavu mehaničkih oštećenja.

Ako priključujete na vanjsku jedinicu koja se koristi rashladnim sredstvom R32, postavite unutarnju jedinicu u prostoriju čija je veličina podne površine Amin ili veća, ovisno o rashladnom sredstvu M (rashladno sredstvo napunjeno u tvornici + rashladno sredstvo dodano na mjestu). Upućujemo vas na vanjsku jedinicu po pitanju količine rashladnog sredstva i dodatnog punjenja rashladnog sredstva.

M [kg]	Amin [m ²]
1,00	Nema zahtjeva
1,10	
1,20	
1,30	
1,40	
1,50	
1,60	
1,70	
1,80	
1,84	
1,90	3,75
2,00	3,95
2,10	4,15
2,20	4,34
2,30	4,54
2,40	4,74

Za punjenje rashladnog sredstva pogledajte priručnik za postavljanje vanjske jedinice.

1-3. TEHNIČKI PODACI

Model	Napajanje *1		Specifikacije žice *2		Veličina cijevi (debljina *3, *4, *5, *6)		Debljina izolacije *7, *8
	Nazivni napon	Frekvencija	Spojni vod unutarnje/vanjske jedinice		Plin	Tekućina	
MFZ-KT25VG	230 V	50 Hz	4-žilni 2,0 mm ²	ø9,52 mm (0,8 mm)	ø6,35 mm (0,8 mm)	14 mm	
MFZ-KT35VG							
MFZ-KT50VG							
MFZ-KT60VG							

- *1 Spojite na prekidač napajanja koji ima zazor od 3 mm ili više kada je otvoren za prekid faze izvora napajanja. (Kada se prekidač napajanja isključi, mora prekinuti sve faze.)
 *2 Upotrijebite žice u skladu s projektom 60245 IEC 57.
 *3 Nikada nemojte koristiti cijevi debljine manje od propisane. Otpornost na tlak neće biti dovoljna.
 *4 Koristite bešavnu bakrenu cijev ili cijev od bakrene legure.

- *5 Budite pažljivi kako ne biste slomili ili savili cijev tijekom savijanja cijevi.
 *6 Radijus savijanja cijevi rashladnog sredstva mora biti 100 mm ili više.
 *7 Izolacijski materijal: Plastična pjena otporna na toplinu specifične težine od 0,045

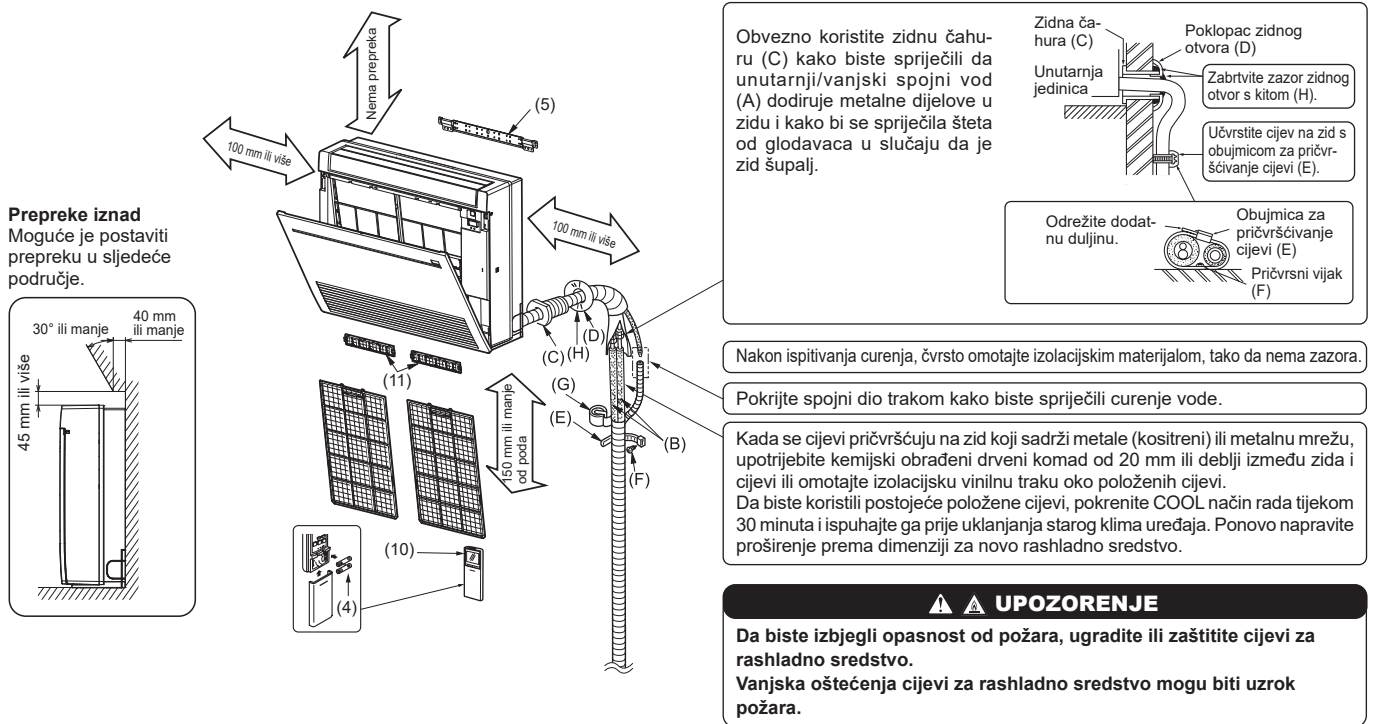
- *8 Obavezno koristite izolaciju naznačene debljine. Prekomjerna debljina može prouzročiti nepravilnu ugradnju unutarnje jedinice, a nedovoljna debljina može prouzročiti kapanje rose.

1-4. SHEMA UGRADNJE

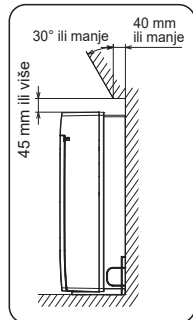
Pri postavljanju vanjskih jedinica pogledajte priručnik za postavljanje vanjske jedinice.

U tablici za specifikaciju cijevi nije navedena minimalna dužina kompleta vodova.

Međutim, unutarnje jedinice sa spojenim cijevima kraćima od 3 m mogu proizvoditi isprekidani zvuk tijekom normalnog rada sustava u vrlo tihoj okolini. Ne zaboravite na ove važne informacije prilikom ugradnje i lociranja unutarnje jedinice unutar klimatiziranog prostora.



Prepreke iznad
Moguće je postaviti prepreku u sljedeće područje.



Jedinice trebaju postaviti licencirani izvođači radova u skladu s lokalnim propisima.

PRIBOR

Prije instalacije provjerite sljedeće dijelove.

(1) Odvodno crijevo*	1
(2) Poklopac prostora za cijevi	1
(3) Zatezač	2
(4) Baterija (AAA) za (10)	2
(5) Ugradbeni nosač unutarnje jedinice	1
(6) Pričvrtni vijak za (5) 4 × 25 mm	5
(7) Vijak za drvo za pričvršćivanje unutarnje jedinice	4
(8) Podloška (7)	4
(9) Filc traka (za polaganje cijevi s lijeve ili stražnje lijeve strane)	1
(10) Bežični daljinski upravljač	1
(11) Filter za pročišćavanje zraka	2
(12) Spojna cijev (Samo KT60)	1
(13) Poklopac cijevi za spojnu cijev (Samo KT60)	1
(14) Pločica prekidača	1
(15) Obavijest prekidača	1

* Napomena:

Odvodno crijevo priključeno je na jedinicu.

DIJELOVI KOJI SE DOBAVLJAJU NA MJE- STU MONTAŽE

(A) Spojni vod* unutarnje/vanjske jedinice	1
(B) Produžna cijev	1
(C) Zidna čahura	1
(D) Poklopac zidnog otvora	1
(E) Obujmica za pričvršćivanje cijevi	2 do 5
(F) Pričvrtni vijak za (E) 4 × 20 mm	2 do 5
(G) Traka za polaganje cijevi	1
(H) Kit	1
(J) Odvodno crijevo (ili meko PVC crijevo, unutarnjeg promjera 15 mm ili tvrdo PVC cijev VP16)	1 ili 2
(K) Kabel za napajanje*	1
(L) Zatezač (samo sučelje Wi-Fi veze)	2

* Napomena:

Postavite spojni vod unutarnje/vanjske jedinice (A) i kabel napajanja (K) najmanje 1 m od kabla TV antene.

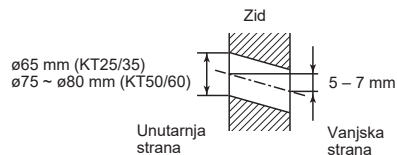
2. UGRADNJA UNUTARNJE JEDINICE

2-1. PRIČVRŠĆIVANJE UGRADBENOG NOSAČA UNUTARNJE JEDINICE

- Ne ugrađujte unutarnju jedinicu na mjesto čija je visina veća od 150 mm.
- Pronađite konstrukcijski materijal (kao što je nosivi stup) u zidu i pričvrstite nosač (5) vodoravno pričvrtnim vijcima (6).
- Kako biste spriječili vibraciju nosača (5), postavite pričvrstne vijke u otvore prikazane na slici. Za dodatnu potporu, pričvrtni vijci mogu se također ugraditi u druge otvore.

2-2. BUŠENJE RUPE

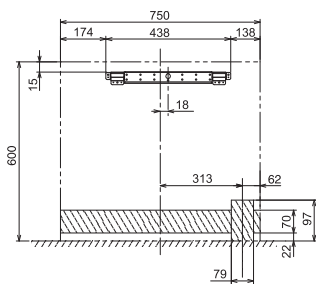
- 1) Odredite položaj zidne rupe.
- 2) Izbušite rupu promjera 65 mm (promjer 75 ~ 80 mm za KT50/60). Vanjska strana treba biti 5 do 7 mm niža od unutarnje strane.
- 3) Umetnite zidnu čahuru (C).



POLOŽAJI RUPE

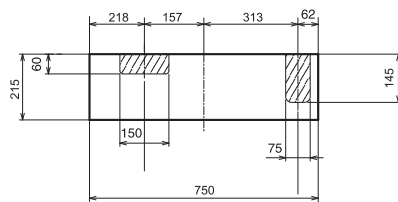
ZA POLAGANJE CIJEVI SA STRAŽNJE ILI STRAŽNJE LIJEVE STRANE

(Sljedeća je slika prednji pogled mjesta za ugradnju unutarnje jedinice)

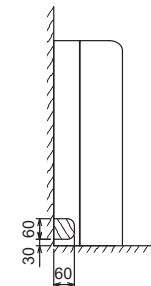


ZA POLAGANJE CIJEVI S DESNE DONJE ILI LIJEVE DONJE STRANE

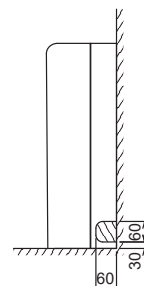
(Sljedeća je slika pogled odozgo na dno unutarnje jedinice.)



ZA POLAGANJE CIJEVI S LIJEVE STRANE



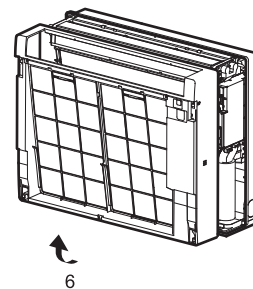
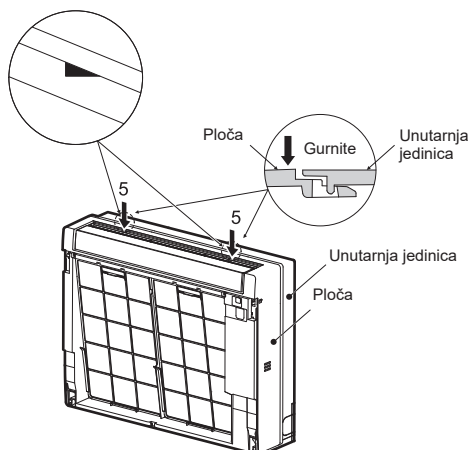
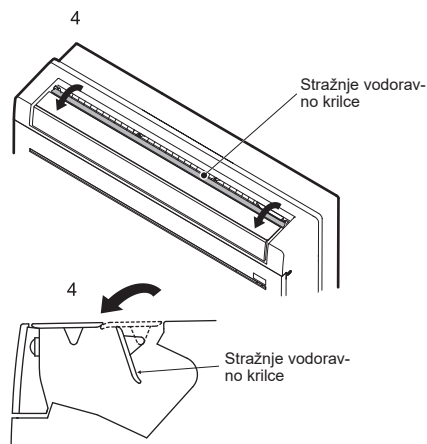
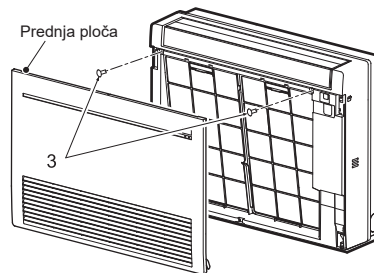
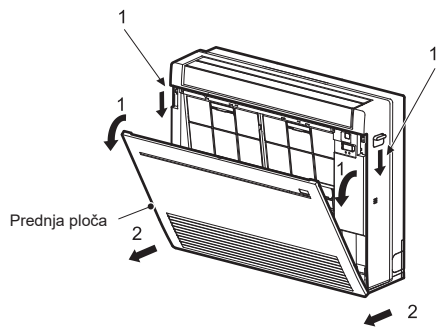
ZA POLAGANJE CIJEVI S DESNE STRANE



2-3. PRIPREMA UNUTARNJE JEDINICE

Uklonite prednju ploču unutarnje jedinice.

- 1) Gurnite jezičac na objema stranama jedinice prema dolje da biste otvorili prednju ploču.
- 2) Povucite prednju ploču prema sebi da biste je uklonili.
- 3) Uklonite 2 vijka.
- 4) Otvorite stražnje vodoravno krilce.
- 5) Gurnite 2 mjesta na vrhu ploče, a zatim povucite gornji dio ploče prema sebi.
- 6) Uklonite ploču dok je podižete (lagano).



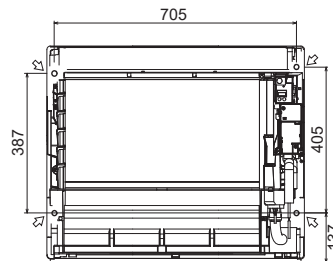
2-4. UGRADNJA UNUTARNJE JEDINICE

2-4-1. UGRADNJA UNUTARNJE JEDINICE NA POD

- 1) Stavite unutarnju jedinicu na ravan pod.
- 2) Pričvrstite unutarnju jedinicu na 4 točke isporučеним vijcima za drvo (7) i podloškama (8). Čvrsto stegnite vijke.

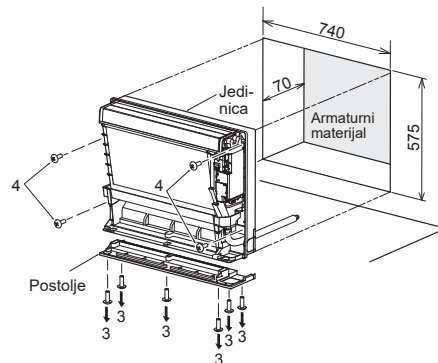
2-4-2. UGRADNJA UNUTARNJE JEDINICE NA ZID

- 1) Prikačite vrh unutarnje jedinice na ugradbeni nosač unutarnje jedinice (5).
- 2) Pričvrstite unutarnju jedinicu na 4 točke isporučеним vijcima za drvo (7) i podloškama (8). Čvrsto stegnite vijke.



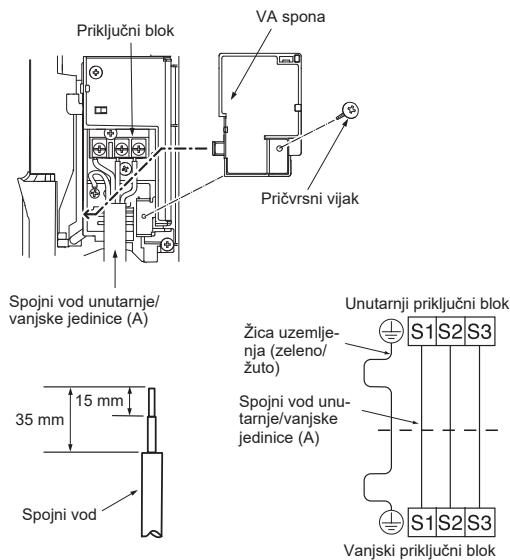
2-4-3. UGRADIVANJE UNUTARNJE JEDINICE U ZID

- 1) Napravite rupu u zidu.
- 2) Koristeći se armaturnim materijalom, prilagodite dubinu.
- 3) Uklonite 6 vijaka koji pričvršćuju postolje na jedinicu. Uklonite postolje s jedinice.
- 4) Pričvrstite unutarnju jedinicu na 4 točke isporučеним vijcima za drvo (7) i podloškama (8). Čvrsto stegnite vijke.



2-5. SPAJANJE VODOVA ZA UNUTARNJU JEDINICU

- 1) Skinite VA sponu.
- 2) Provučite spojni vod unutarnje/vanjske jedinice (A) sa stražnje strane unutarnje jedinice i obradite kraj voda.
- 3) Otpustite vijak priključka i najprije spojite žicu za uzemljenje, a zatim spojite spojni vod unutarnje/vanjske jedinice (A) na priključni blok. Budite pažljivi da ne napravite pogrešno ožičenje. Pričvrstite vod na priključni blok tako da se ne vidi niži dio njegove jezgre te da nema prijenosa vanjske sile na spojnu sekciju priključnog bloka.
- 4) Čvrsto zategnite vijke priključaka kako biste spriječili njihovo popuštanje. Nakon pritezanja lagano povucite vodove kako biste potvrdili da se ne pomiču.
- 5) Pričvrstite spojni vod unutarnje/vanjske jedinice (A) i žicu za uzemljenje uporabom VA sponu. Uvijek zakočite lijevu pandžu VA sponu. Učvrstite VA sponu.



- Napravite da žica za uzemljenje bude malo dulja od ostalih. (Više od 45 mm)
- Za daljnje servisiranje, ostavite veću duljinu žica za povezivanje.
- Nemojte saviti višak žice ili ga nagurati u mali prostor. Budite oprezni da ne oštetite žice.
- Prilikom pričvršćivanja kabela i/ili žice na priključni blok, obavezno pričvrstite svaki vijak na odgovarajući priključni blok.

⚠ UPOZORENJE

Prilikom ugradnje jedinice, cijevi rashladnog sredstva čvrsto spojite prije pokretanja kompresora.

2-6. OBLIKOVANJE I SPAJANJE CIJEVI

Napomena: Pogledajte 3. odjeljak. SPAJANJE PROŠIRENJA, SPAJANJE CIJEVI.

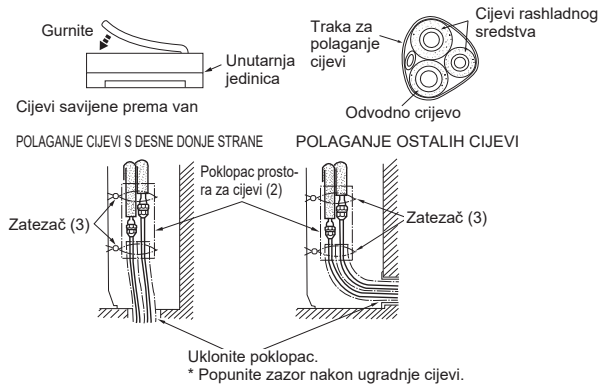
Oblikovanje cijevi

- Usmjerite odvodno crijevo dijagonalno ispod spojnih cijevi.
- Pobrinite se da odvodno crijevo nije usmjereno prema gore i da u crijevu nema valova.
- Nemojte povlačiti crijevo pri omotavanju trake.
- Usmjerite cijevi na način da nisu izbočene više od stražnjeg dijela unutarnje jedinice. (Pogledajte sliku zdesna.)

Postavljanje spojne cijevi

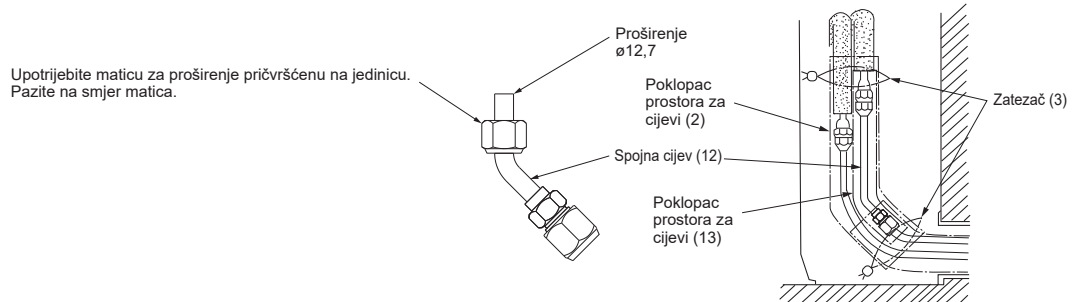
- Postavite spojne cijevi na način da se cijevi mogu lagano pomicati naprijed, natrag, ulijevo i udesno.
- Kada je poklopac uklonjen, svakako prekrijte cijevi na način da cijevi nisu izložene prostoru nakon ugradnje cijevi.
- Popunite zazor nakon ugradnje cijevi.

- Svakako izolirajte spojne cijevi da ne bi mogle doći u kontakt s pločom.
- Pazite da ne zgnječite spojne cijevi kada ih svijate.



Za MFZ-KT60

- Svakako upotrijebite spojnu cijev (12), inače se produžna cijev promjera $\varnothing 15,88$ ne može pričvrstiti.
- Produžite spojnu cijev (12) na $\varnothing 12,7$ i pričvrstite poklopac cijevi (13).



ZA POLAGANJE CIJEVI S LIJEVE ILI STRAŽNJE LIJEVE STRANE

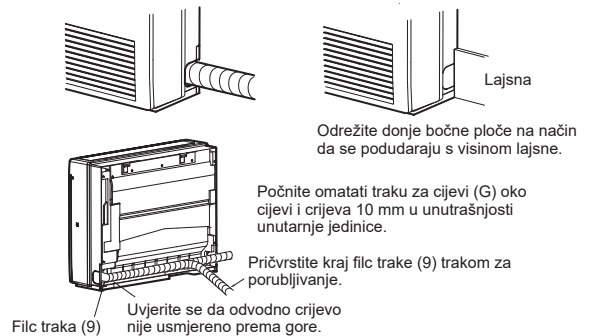
Uvežite spojne cijevi i odvodno crijevo u snop, a zatim ih omotajte filc trakom (9).

Izrežite i upotrijebite donje bočne ploče na lijevoj i desnoj strani unutarnje jedinice kako je prikazano u nastavku.

Zagladite izrezane rubove bočnih ploča da ne bi oštetile izolacijsku oblogu.

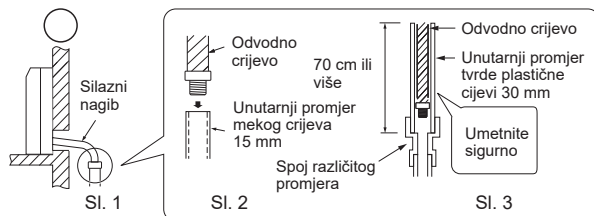
- Za polaganje cijevi s lijeve ili desne strane
- Ravna ugradnja na zid s lajsnom

Čvrsto omotajte filc traku (9) oko cijevi i crijeva; počnite blizu mjesta gdje su cijevi i crijeva usmjereni s unutarnje jedinice. (Širina preklapanja filc trake (9) ne bi smjela biti veća od 1/2 širine trake)

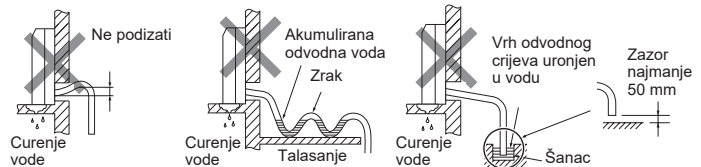


2-7. ISPUSNE CIJEVI

- Ako produžetak odvodnog crijeva mora proći kroz sobu, obavezno ga omotajte izolacijom koja je dostupna u prodaji.
- Odvodno crijevo treba biti usmjereno prema dolje radi lakog protoka odvoda. (Sl. 1)
- Ako je odvodno crijevo isporučeno s unutarnjom jedinicom prekratkno, spojite ga s odvodnim crijevom (J) koje bi moralo biti dostavljeno na mjesto ugradnje. (Sl. 2)
- Koristite traku ili neki drugi materijal za brtvljenje spoja između odvodnog crijeva proizvoda i produžnog odvodnog crijeva (16 mm unutarnjeg promjera) (J).
- Prilikom spajanja odvodnog crijeva na tvrdu plastičnu cijev, dobro ga umetnite u cijev. (Sl. 3)

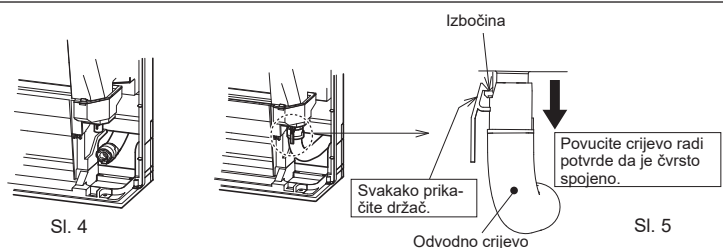


Nemojte polagati odvodne cijev kako je dolje prikazano.



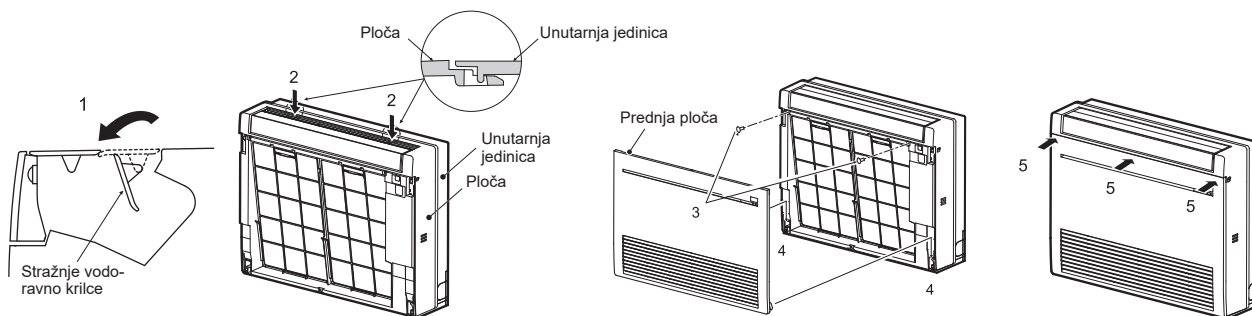
Odvodno crijevo uklanja se pri ugradnji.

- Prilikom usmjeravanja odvodnih cijevi pobrinite se da je odvodno crijevo (1) usmjereno kako je prikazano. (Sl. 4)
- Umetnite odvodno crijevo do kraja postolja odvodne posude (krajnji spoj). (Sl. 5)
- Pobrinite se da je držač odvodnog crijeva čvrsto prikačen na izbočinu armature cijevi odvodne posude.
- Nakon spajanja odvodnog crijeva svakako povucite crijevo radi potvrde da je čvrsto spojeno.



2-8. UGRADNJA PREDNJE PLOČE

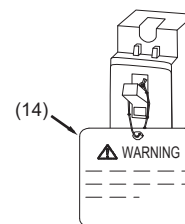
- 1) Otvorite stražnje vodoravno krilce.
- 2) Pričvrstite ploču. Držači moraju biti učvršćeni.
- 3) Pričvrstite ploču vijcima.
- 4) Umetnite donji dio prednje ploče.
- 5) Gurnite 3 mjesta na gornjem dijelu prednje ploče da biste ju zatvorili.



2-9. KAKO PRIČVRSTITI NALJEPNICU I OBJAŠNENJE

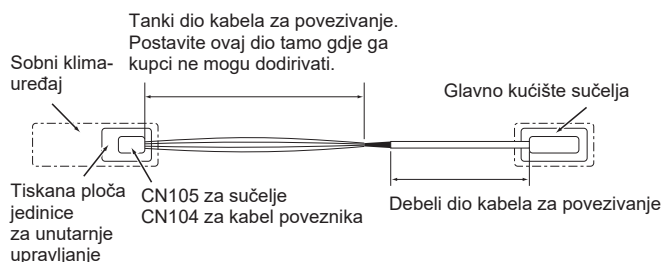
Prekidač mora uvijek biti uključen, osim tijekom održavanja ili pregleda. Objesite pripadajuću naljepnicu (14) ili (15) na prekidač i objasnite ju korisnicima. Kada isključite prekidač, senzor rashladnog sredstva ugrađen u unutarnju jedinicu ne napaja se i curenje rashladnog sredstva se ne može otkriti.

Napomena: Kada je ožičenje zasebno za napajanje unutarnje jedinice / vanjske jedinice, objesite pripadajuću naljepnicu (14) ili (15) na prekidač unutarnje jedinice i objasnite ju korisnicima.



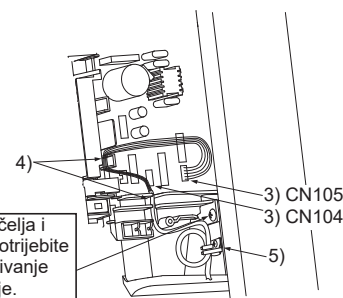
2-10. PRIKLJUČIVANJE SUČELJA (neobavezno) / KABELA POVEZNIKA (neobavezno) NA KLIMATIZACIJSKI UREĐAJ

- Povežite sučelje / kabel poveznika s unutarnjom kontrolnom tiskanom pločom klimatizacijskog uređaja kabelom za povezivanje.
- Skraćivanje ili produljivanje kabela za povezivanje sučelja / kabela poveznika rezultira teškoćama pri povezivanju. Nemojte kabel za povezivanje uvezati u snop s kablom napajanja, spojnim vodom unutarnje/vanjske jedinice i/ili uzemljenjem. Održavajte što je veći mogući razmak između kabela za povezivanje i tih vodova.
- Tanki dio kabela za povezivanje treba biti odložen i stavljen na mjesto na kojem ga kupci ne mogu dodirivati.



- 1) Uklonite ploču.
- 2) Otvorite poklopac tiskane ploče jedinice za unutarnje upravljanje.
- 3) Spojite kabel za povezivanje na CN105 i/ili CN104 na unutarnjoj tiskanoj ploči za upravljanje.
- 4) Usmjerite kabel za povezivanje kroz ovu točku na slici.
- 5) Pričvrstite stezaljku kabela isporučenu sa sučeljem / kablom poveznika na debeli dio kabela za povezivanje vijkom dimenzija 4 × 16 kako je prikazano na slici.
- 6) Zatvorite poklopac tiskane ploče jedinice za unutarnje upravljanje. Pripazite da ne stisnete poklopcem tanki dio kabela za povezivanje. Ponovo postavite ploču.

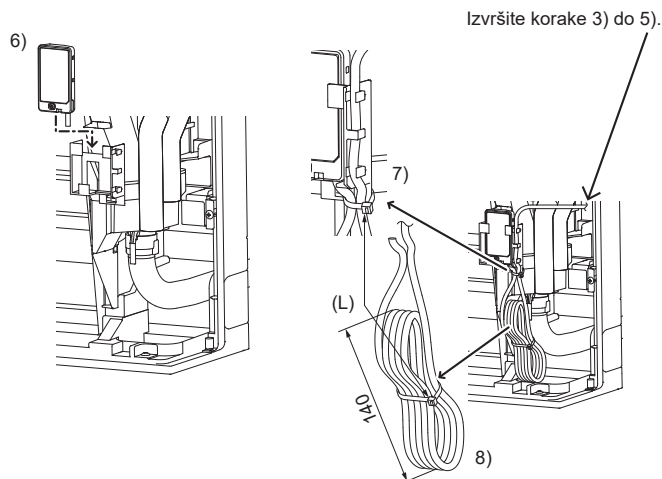
Prilikom ugradnje sučelja i kabela poveznika upotrijebite ovaj vijak za pričvršćivanje kabela za povezivanje.



Napomena:

Prilikom spajanja Wi-Fi sučelja (opcija) Ugradite sučelje u držač kao što je prikazano na slici. Podesite duljinu kabela i omotajte ga kao što je prikazano na slici.

- 1) Uklonite ploču.
- 2) Otvorite poklopac unutarnje tiskane ploče za upravljanje.
- 3) Spojite kabel za povezivanje na CN105 na unutarnjoj tiskanoj ploči za upravljanje.
- 4) Usmjerite kabel za povezivanje kroz ovu točku na slici.
- 5) Pričvrstite stezaljku kabela isporučenu sa sučeljem / kablom poveznika na debeli dio kabela za povezivanje vijkom dimenzija 4 × 16 kako je prikazano na slici.
- 6) Postavite Wi-Fi sučelje u držač.
- 7) Postavite spojni kabel u držač, zatim ga pričvrstite zatezačem (L).
- 8) Skupite višak kabela zatezačem (L). Valjani dio trebao bi biti oko 140 mm.
- 9) Zatvorite poklopac unutarnje tiskane ploče za upravljanje. Pripazite da ne stisnete poklopcem tanki dio kabela za povezivanje. Ponovo postavite ploču.



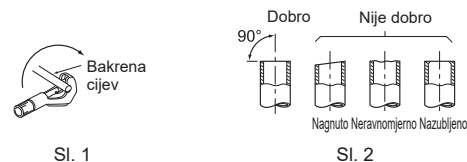
⚠ UPOZORENJE

Dobro pričvrstite kabel za povezivanje na zadano mjesto. Pogrešna ugradnja može izazvati strujni udar, požar i/ili kvar.

3. SPAJANJE PROŠIRENJA, SPAJANJE CIJEVI

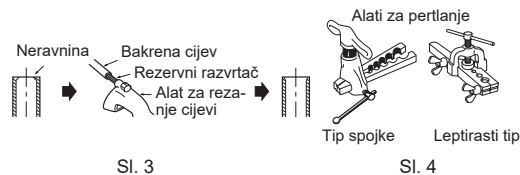
3-1. PERTLANJE

- 1) Izrežite bakrenu cijev pravilno pomoću alata za rezanje cijevi. (Sl. 1, 2)
- 2) Potpuno uklonite sve opiljke iz isječenog poprečnog presjeka cijevi. (Sl. 3)
 - Okrenite kraj bakrene cijevi u smjeru nadolje dok uklanjate opiljke kako biste izbjegli da opiljci upadnu u cijevi.
- 3) Skinite matice s proširenjem pričvršćene za unutarnju i vanjsku jedinicu, a zatim ih stavite na cijev na kojoj je završeno uklanjanje opiljaka. (Nije ih moguće staviti nakon pertlanja.)
- 4) Pertlanje (Sl. 4, 5). Čvrsto držite bakrenu cijev u dimenziji prikazanoj u tablici. Odaberite A mm iz tablice prema alatu koji koristite.
- 5) Provjera
 - Usporedite pertlanje sa Sl. 6.
 - Ako je proširenje nepravilno, odsijecite prošireni dio i ponovite pertlanje.



Sl. 1

Sl. 2



Sl. 3

Sl. 4

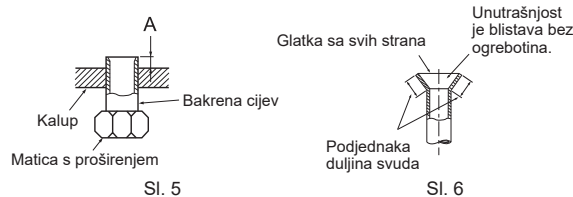
Promjer cijevi (mm)	Matica (mm)	A (mm)			Moment pritezanja	
		Alat za spajanje za R32,R410A	Alat za spajanje za R22	Alat za leptiraste matice za R22	N•m	kgf•cm
ø6,35 (1/4")	17	0 do 0,5	1,0 do 1,5	1,5 do 2,0	14 do 18	140 do 180
ø9,52 (3/8")	22				34 do 42	340 do 420
ø12,7 (1/2")	26			2,0 do 2,5	49 do 61	490 do 610
ø15,88 (5/8")	29			-	68 do 82	680 do 820

3-2. SPAJANJE CIJEVI

- Pričvrstite maticu s proširenjem momentnim ključem kako je navedeno u tablici.
- Kada je pričvršćena previše čvrsto, matica s proširenjem može se slomiti nakon dugog razdoblja i uzrokovati curenje rashladnog sredstva.
- Obavezno stavite izolaciju oko položenih cijevi. Izravni kontakt s golim cijevima može dovesti do opekline ili smrzavanja.

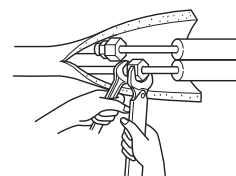
Povezivanje unutarnje jedinice

- Spojite i cijev za plin i cijev za tekućinu na unutarnju jedinicu.
- Nemojte stavljati rashladno ulje na navoje vijaka. Pretjerani moment pritezanja oštetit će vijak.
 - Za spajanje, najprije poravnajte središte, zatim prvo rukom pritegnite 3 do 4 okretaja matice s proširenjem.
 - Upotrijebite gore navedenu tablicu momenta pritezanja kao smjernicu za odjeljak s bočnom spojnicom na unutarnjoj jedinici i pritegnite s pomoću dva ključa. Prekomjerno zatezanje oštećuje prošireni dio.



Sl. 5

Sl. 6



⚠ UPOZORENJE

Ponovno uporabljivi mehanički priključci i proširene spojnice ne smiju se upotrebljavati u unutarnjim prostorima. Pri priključivanju cijevi za rashladno sredstvo lemljenjem umjesto uporabom navojnih spojnica, obavite sve postupke lemljenja prije priključivanja unutarnje jedinice na vanjsku jedinicu.

⚠ UPOZORENJE

Prilikom ugradnje jedinice, sigurno spojite cijevi rashladnog sredstva prije pokretanja kompresora.

4. PROBNI RAD

4-1. PROBNI RAD

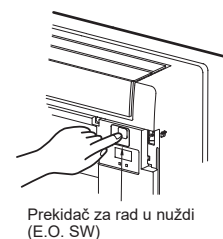
Pobrinite se da je izvršeno sljedeće.

- Ploča je pravilno ugrađena.
 - Unutarnja i vanjska jedinica pravilno su ugrađene i dovedeno je napajanje.
- 1) Pritisnite E.O. SW jednom za COOL način rada, i dva puta za HEAT način rada. Probni rad će trajati 30 minuta. Ako lijeva žaruljica indikatora rada treperi svakih 0,5 sekundi, provjerite postoje li pogrešni spojevi spojnog voda unutarnje/vanjske jedinice (A). Nakon probnog rada pokrenut će se način rada za slučaj nužde (postavljena temperatura 24 °C).
 - 2) Za zaustavljanje rada pritisnite E.O. SW nekoliko puta dok se sve LED žaruljice ne isključe. Detalje potražite u uputama za uporabu.

Provjera prijama daljinskog (infracrvenog) signala

Pritisnite tipku ON/OFF na daljinskom upravljaču (10) i provjerite da li se elektronski zvuk čuje iz unutarnje jedinice. Ponovno pritisnite ON/OFF tipku kako biste isključili klima uređaj.

- Nakon što se kompresor zaustavi, uređaj za sprječavanje ponovnog pokretanja radi tako da kompresor neće raditi 3 minute radi zaštite klima uređaja.



Prekidač za rad u nuždi (E.O. SW)

4-2. FUNKCIJA AUTOMATSKOG PONOVOG POKRETANJA

Ovaj proizvod opremljen je funkcijom automatskog ponovnog pokretanja. Kada se napajanje prekine tijekom rada, kao što je to za vrijeme nestanka struje, funkcija automatski započinje rad u prethodnoj postavci nakon ponovnog uspostavljanja napajanja. (Za detalje pogledajte upute za uporabu.)

Oprez:

- Nakon ispitivanja ili provjere prijama daljinskog signala, isključite uređaj pomoću E.O. SW ili daljinskog upravljača prije isključivanja napajanja. Ako to ne učinite, uređaj će se automatski pokrenuti kada se napajanje uspostavi.

Korisniku

- Nakon ugradnje uređaja obavezno objasnite korisniku o funkciji automatskog ponovnog pokretanja.
- Ako je funkcija automatskog ponovnog pokretanja nepotrebna, može se isključiti. Obratite se predstavniku službe radi isključivanja funkcije. Pojednostiti potražite u priručniku za servisiranje.

4-3. OBJAŠNENJE ZA KORISNIKA

- Pomoću UPUTA ZA UPORABU objasnite korisniku kako koristiti klima uređaj (kako upotrebljavati daljinski upravljač, kako ukloniti filtre za zrak, kako izvaditi ili staviti daljinski upravljač u držač daljinskog upravljača, kako čistiti, mjere opreza za rad, itd.).
- Preporučite korisniku da pažljivo pročita UPUTE ZA UPORABU.

5. ISPUMPAVANJE

Pogledajte postupke navedene u priručniku za postavljanje vanjske jedinice.

UPOZORENJE

Kada rashladni krug procuri, nemojte izvoditi ispuhavanje kompresorom. Prilikom crpljenja rashladnog sredstva, zaustavite kompresor prije odspajanja cijevi za rashladno sredstvo. Kompresor može eksplodirati ako zrak i sl. uđu u njega.

SADRŽAJ

1. PRE UGRADNJE.....	1
2. MONTAŽA UNUTRAŠNJE JEDINICE	4
3. VEZA ZA PROŠIRIVANJE, POVEZIVANJE CEVI	8
4. PROBNI RAD	8
5. ISPUMPAVANJE	9

Imena modela navedena su u odeljku 1-3.

Ovo uputstvo za ugradnju sadrži opise samo za unutrašnju jedinicu. Za postavljanje spoljnih jedinica, pogledajte uputstvo za ugradnju spoljne jedinice.

Alati neophodni za montažu

Krstasti odvijač	Alat za proširivanje za R32, R410A
Libela	Manometar za R32, R410A
Razmernik	Vakuumska pumpa za R32, R410A
Radni skalpel ili makaze	Crevo za punjenje za R32, R410A
Testera za bušenje otvora od 75 mm	Rezači cevi sa razvrtačem
Moment-ključ	Boca za vodu
Ključ (ili radionički ključ)	0,9 do 1,0 l vode

1. PRE UGRADNJE

ZNAČENJA SIMBOLA PRIKAZANIH NA UNUTRAŠNJOJ I/ILI SPOLJNOJ JEDINICI

	UPOZORENJE (Opasnost od požara)	Ovaj uređaj koristi zapaljivu rashladnu tečnost. Ako rashladna tečnost procuri i dođe u dodir sa vatrom ili delom za grejanje, stvoriće se štetni gas i postoji opasnost od požara.
		Pre početka korišćenja pažljivo pročitajte UPUTSTVA ZA RUKOVANJE.
		Pre početka korišćenja, servisno osoblje mora pažljivo da pročita UPUTSTVA ZA RUKOVANJE i UPUTSTVO ZA UGRADNJU.
		Dodatne informacije su dostupne u UPUTSTVIMA ZA RUKOVANJE, UPUTSTVU ZA UGRADNJU i sličnim dokumentima.

1-1. SLEDEĆE TREBA UVEK UZETI U OBZIR RADI BEZBEDNOSTI

- Pre ugradnje klima-uređaja obavezno pročitajte odeljak „SLEDEĆE TREBA UVEK UZETI U OBZIR RADI BEZBEDNOSTI“.
- Pridržavajte se ovde navedenih upozorenja i mera opreza, jer sadrže važne stavke koje se odnose na bezbednost.
- Nakon čitanja ovog uputstva, čuvajte ga zajedno sa UPUTSTVIMA ZA RUKOVANJE za buduću upotrebu.

⚠ UPOZORENJE (Može dovesti do smrti, ozbiljne povrede itd.)

- **Ne montirajte jedinicu sami (korisnik).** Nepotpuna montaža može izazvati požar, strujni udar, povredu usled pada jedinice ili curenje vode. Obratite se prodavcu od koga ste kupili jedinicu ili kvalifikovanom monteru.
- **Montažu obavljajte na bezbedan način imajući u vidu uputstvo za ugradnju.** Nepotpuna montaža može izazvati požar, strujni udar, povredu usled pada jedinice ili curenje vode.
- **Pri ugradnji jedinice koristite odgovarajuću zaštitnu opremu i alate radi bezbednosti.** Ako to ne činite, može doći do povrede.
- **Jedinicu bezbedno montirajte na mestu koje može da podnese težinu jedinice.** Ako mesto ugradnje ne može da podnese težinu jedinice, jedinica bi mogla da padne i izazove povredu.
- **Električne radove treba da izvodi kvalifikovani električar sa iskustvom, u skladu sa uputstvom za ugradnju. Obavezno koristite posebno električno kolo. Ne priključujte druge električne uređaje na električno kolo.** Ako kapacitet električnog kola nije dovoljan ili ako postoje nedovršeni električni radovi, to bi moglo dovesti do požara ili strujnog udara.
- **Ispravno uzemljite jedinicu.** Ne treba povezivati žicu za uzemljenje na gasovodnu ili vodovodnu cev, gromobran ili telefonsku žicu za uzemljenje. Neispravno uzemljenje može da izazove strujni udar.
- **Pazite da ne oštetite žice primenom prekomernog pritiska delovima ili zavrtnjima.** Oštećene žice mogu da izazovu požar ili strujni udar.
- **Obavezno isključite napajanje struje prilikom podešavanja unutrašnje računarske ploče ili ožičavanja.** Ako to ne činite, može doći do strujnog udara.
- **Koristite navedene žice za bezbedno povezivanje unutrašnje i spoljne jedinice i povežite žice čvrsto na priključnicu koja povezuje delove tako da se naprezanje žica ne prenosi na delove. Ne produžavajte žice, niti koristite posredne priključke.** Nedovršeno povezivanje i učvršćivanje može izazvati požar.
- **Jedinicu ne treba montirati na mestu na kome može doći do curenja zapaljivog gasa.** Ako gas iscuri i sakupi se u prostoru oko jedinice, može doći do eksplozije.
- **Nemojte da koristite posredni priključak kabla za napajanje ili produžni kabl i ne priključujte više uređaja na jednu mrežnu utičnicu.** To bi moglo izazvati požar ili strujni udar zbog neispravnog kontakta, neispravne izolacije, prekoračenja dozvoljene struje itd.
- **Prilikom montaže obavezno koristite isporučene delove ili naznačene delove.** Upotreba neispravnih delova može izazvati povredu ili curenje vode usled požara, strujnog udara, pada jedinice itd.
- **Prilikom priključivanja utikača u utičnicu, uverite se da u utičnici i u utikaču nema prašine, začepjenja ili labavih delova. Uverite se da je utikač u potpunosti utisnut u utičnicu.** Ako na utikaču ili utičnici ima prašine, začepjenja ili labavih delova, to bi moglo izazvati strujni udar ili požar. Ako na utikaču pronađete labave delove, zamenite ga.
- **Bezbedno pričvrstite električni poklopac na unutrašnju jedinicu i ploču za servisiranje na spoljnu jedinicu.** Ako električni poklopac unutrašnje jedinice i/ili ploča za servisiranje spoljne jedinice nisu bezbedno pričvršćeni, to bi moglo dovesti do požara ili strujnog udara usled prašine, vode itd.
- **Prilikom montiranja, premeštanja ili servisiranja jedinice, pazite da nijedna druga supstanca osim navedene rashladne tečnosti (R32/R410A) ne uđe u kolo rashladne tečnosti.** Prisustvo stranih supstanci kao što je vazduh može da izazove neubičajen porast pritiska i može dovesti do eksplozije ili povrede. Korišćenje drugih rashladnih tečnosti osim one koja je navedena za ovaj sistem može izazvati mehanički kvar, nepravilan rad sistema ili otkazivanje jedinice. U najgorem slučaju, to može dovesti do ozbiljnog ugrožavanja bezbednosti rada ovog proizvoda.
- **Ne vršite izmenu jedinice.** Može doći do požara, električnog udara, povrede ili curenja vode.
- **Ne ispuštajte rashladnu tečnost u atmosferu. Ako rashladna tečnost curi tokom montaže, provetrite prostoriju. Proverite da li rashladna tečnost curi nakon završetka montaže.** Ako rashladna tečnost procuri i dođe u dodir sa vatrom ili delom za grejanje, kao što je grejalica sa ventilatorom, grejalica na kerolin ili rena, stvoriće se štetni gas. Obezbedite ventilaciju u skladu sa EN378-1.
- **Prilikom montaže koristite odgovarajuće alate i materijale za cevi.** Pritisak R32/R410A je 1,6 puta viši od pritiska R22. Ako se ne koriste odgovarajući alati ili materijali ili u slučaju nedovršene montaže može doći do pucanja cevi ili povrede.
- **U slučaju curenja rashladnog sistema, nemojte vršiti ispumpavanje pomoću kompresora. Kada se rashladna tečnost ispumpava, zaustavite kompresor pre odvajanja cevi za rashladnu tečnost.** Ako su cevi za rashladnu tečnost odvojene dok kompresor radi i ako je zaustavni ventil otvoren, može doći do uvlačenja vazduha i pritiska u ciklusu hlađenja može postati abnormalno visok. To bi moglo da izazove pucanje cevi ili povredu.
- **Ugradite uzemljeni osigurač protiv curenja u zavisnosti od mesta ugradnje.** Ako se ne ugradi uzemljeni osigurač protiv curenja, može doći do strujnog udara.
- **Prilikom montaže jedinice, čvrsto spojite cevi za rashladnu tečnost pre nego što pokrenete kompresor.** Ako se kompresor pokrene pre nego što se cevi za rashladnu tečnost spoje i kada je zaustavni ventil otvoren, može doći do uvlačenja vazduha i pritiska u ciklusu hlađenja može postati abnormalno visok. To bi moglo da izazove pucanje cevi ili povredu.
- **Pričvrstite proširenu navrtku pomoću moment ključa kao što je navedeno u ovom uputstvu.** Ako je proširena navrtka prejako pritegnuta, može se slomiti nakon dugog perioda i izazvati curenje rashladne tečnosti.
- **Jedinicu treba da se montira u skladu sa nacionalnim propisima ožičavanja.**
- **Prilikom korišćenja plinskog gorionika ili druge opreme za stvaranje plamena, potpuno uklonite svu rashladnu tečnost iz klima-uređaja i obezbedite da prostor bude dobro provetren.** Ako rashladna tečnost procuri i dođe u dodir sa vatrom ili delom za grejanje, stvoriće se štetni gas i postoji opasnost od požara.
- **Ne koristite sredstva za ubrzavanje procesa odmrzavanja ili za čišćenje, osim onih koje preporučuje proizvođač.**
- **Uređaj treba čuvati u prostoriji bez izvora paljenja koji neprekidno rade (na primer: otvoreni plamen, radni gasni uređaj ili radni električni grejač).**
- **Ne bušite niti palite.**
- **Imajte na umu da rashladne tečnosti nemaju miris.**
- **Cevi treba zaštititi od fizičkog oštećenja.**
- **Dužinu cevi treba svesti na minimum.**
- **Potrebno je pridržavati se nacionalnih propisa o gasovima.**
- **Otklonite sva ograničenja na potrebnim ventilacionim otvorima.**
- **Uređaje koji rade na gas, električne grejače i druge izvore vatre (izvori paljenja) držite dalje od mesta gde će se vršiti ugradnja, popravka i drugi radovi na klima-uređaju.**
- **Uređaj treba čuvati u dobro proventroj prostoriji gde veličina prostorije odgovara prostoriji koja je navedena za rad.**
- **Ne ISKLJUČUJTE prekidač osim u slučaju da osetite miris paljevine ili prilikom obavljanja održavanja ili provere.** Napajanje se ne može dopremiti do senzora za rashladnu tečnost koji je postavljen u unutrašnjoj jedinici, tako da senzor ne može da detektuje curenje rashladne tečnosti. Ovo može izazvati požar.
- **Pričvrstite kabl za povezivanje na naznačeno mesto.** Neispravna ugradnja može da dovede do električnog udara, požara i/ili kvara.

- **Rad na odvodu/cevima obavljajte na bezbedan način prema uputstvu za ugradnju.**
Ako postoji oštećenje na odvodu/cevima, voda bi mogla kapati iz jedinice i potapati i oštećivati stvari u domaćinstvu.
- **Nemojte dodirivati otvor za uvlačenje vazduha ni aluminijumska rebra na spoljnoj jedinici.**
To može dovesti do povrede.
- **Nosite zaštitnu opremu pri dodirivanju dna spoljne jedinice.**
Može doći do povrede ukoliko ne nosite zaštitnu opremu.

- **Nemojte instalirati spoljnu jedinicu tamo gde možda žive male životinje.**
Ako male životinje uđu u jedinicu i dodiruju električne delove unutar jedinice, to bi moglo izazvati kvarove, ispuštanje dima ili požar. Takođe, savetujte korisnika da održava čistoću prostora oko uređaja.
- **Nemojte koristiti klima-uređaj tokom unutrašnje gradnje i završnih radova, niti prilikom lakiranja poda.**
Pre korišćenja klima-uređaja dobro provetrite prostoriju nakon obavljanja takvog rada. U suprotnom, može doći do nastanka nestabilnih elemenata unutar klima-uređaja, što dovodi do curenja vode ili rasejanja rose.

- **Jedinicu ne montirajte na mestu na kom se mogu sakupljati dim, gas ili lekovi.**
Senzor rashladne tečnosti, koji je postavljen u unutrašnjoj jedinici, može na to da reaguje i prikaže grešku curenja rashladne tečnosti.
- **Pazite na okretanje ventilatora kada je prekidač UKLJUČEN.**
Kada senzor rashladne tečnosti detektuje njeno curenje, ventilator počinje automatski da se okreće. To može da dovede do povrede.
- **Kada koristite aerosol sprejeve za građevinske radove u zatvorenom, završne radove ili zaptivanje otvora u zidu, isključite prekidač i dobro provetrite prostoriju.** Senzor rashladne tečnosti može da reaguje na gas u tim sprejevima i da dovede do pogrešne detekcije.

1-2. IZBOR MESTA ZA UGRADNJU

U ovom priručniku je opisana montaža samo unutrašnje jedinice. Pri montaži spoljašnje jedinice pogledajte uputstvo za ugradnju spoljašnje jedinice.

UNUTRAŠNJA JEDINICA

⚠ ⚠ UPOZORENJE

Ova jedinica treba da se ugrađuje u prostorije čija je površina veća od veličine površine za ugradnju navedene u uputstvu za ugradnju spoljne jedinice.

- Pogledajte uputstvo za ugradnju spoljne jedinice.

- Sledeći uslovi treba da budu ispunjeni pri montaži unutrašnjih jedinica:
- Tamo gde protok vazduha nije blokiran.
 - Tamo gde se hladan (ili topao) vazduh širi preko cele prostorije.
 - Tvrdi zid bez vibracija.
 - Tamo gde nije izložena direktno sunčevoj svetlosti. Ne izlažite direktno sunčevoj svetlosti tokom perioda nakon raspakovanja a pre upotrebe.
 - Gde se lako odvodi.
 - Na udaljenosti od 1 m ili više od vašeg televizora i radio-uređaja. Rad klima-uređaja može da ometa prijem radio ili TV programa. Pogođeni uređaj će možda morati da se koristi sa pojačivačem.
 - Na mestu koje je udaljeno što je više moguće od fluorescentnih lampi i lampi sa užarenom niti. Tako da infracrveni daljinski upravljač može normalno da upravlja klima-uređajem. Toplota lampi može da dovede do deformacije ili ultraljubičasta svetlost može da izazove oštećenje.
 - Tamo gde filter za vazduh može da se lako ukloni i zameni.
 - Tamo gde je udaljena od drugih izvora toplote ili pare.
 - Ne montirajte jedinicu na mestu na kom se koristi bilo kakva gasna oprema za propan, butan ili metan, sprejevi kao što je sprej za insekte, oprema koja generiše dim, materijal za oblaganje i lekovi, niti na mestu na kom se generiše gas na bazi sumpora.
 - Senzor rashladne tečnosti, koji je postavljen u unutrašnjoj jedinici, može da reaguje na navedeno i da prikaže grešku curenja rashladne tečnosti. Ovo može dovesti do prestanka rada jedinice.

DALJINSKI UPRAVLJAČ

U nastavku slede poželjni uslovi za čuvanje daljinskog upravljača:

- Tamo gde se može jednostavno koristiti i gde je lako vidljiv.
- Tamo gde deca ne mogu da ga diraju.
- Izaberite položaj oko 1,2 m iznad poda i proverite da li unutrašnja jedinica iz tog položaja sigurno prima signale daljinskog upravljača (oglašava se „bip“ ili „bip bip“ ton za prijem).

Napomena:

U prostorijama u kojima se koriste fluorescentne lampe inverterskog tipa, signal iz bežičnog daljinskog upravljača možda neće biti primljen.

Napomena:

Izbegavajte sledeća mesta za ugradnju na kojima može doći do nepravilnosti u radu klima-uređaja.

- Tamo gde može doći do curenja zapaljivog gasa.
- Tamo gde ima dosta mašinskog ulja.
- Tamo gde prska ulje ili gde se prostor može napuniti masnim dimom (kao što su oblasti za kuvanje i fabrike, u kojima se svojstva plastike mogu promeniti i oštetiti).
- Mesta sa velikom koncentracijom soli kao što je morska obala.
- Tamo gde se stvara gas sulfid kao što su termalni izvori, kanalizacija, otpadne vode.
- Tamo gde postoji bežična ili oprema koja koristi visoke frekvencije.
- Tamo gde postoji visoka emisija lako isparljivih organskih jedinjenja, uključujući jedinjenja ftalata, formaldehid itd, što može izazvati hemijsko pucanje.
- Uređaj treba skladištiti tako da se spreči nastanak mehaničkih oštećenja.

Ako povezujete na spoljnu jedinicu koja koristi rashladnu tečnost R32, montirajte unutrašnju jedinicu u prostoriji koja ima pod površine Amin ili više, u skladu sa rashladnom tečnošću M (fabrički napunjena rashladna tečnost + rashladna tečnost dodata na lokaciji). Za količinu rashladne tečnosti i dodatno punjenje iste, pogledajte spoljnu jedinicu.

M [kg]	Amin [m ²]	
1,00	Nema zahteva	
1,10		
1,20		
1,30		
1,40		
1,50		
1,60		
1,70		
1,80		
1,84		3,63
1,90		3,75
2,00		3,95
2,10		4,15
2,20	4,34	
2,30	4,54	
2,40	4,74	

Pogledajte uputstvo za ugradnju spoljne jedinice za dopunu rashladne tečnosti.

1-3. SPECIFIKACIJE

Model	Napajanje *1		Specifikacije žice *2	Veličina cevi (debljina *3, *4, *5, *6)		Debljina izolacije *7, *8
	Nazivni napon	Frekvencija	Žica za povezivanje unutrašnje/spoljne jedinice	Gas	Tečnost	
MFZ-KT25VG	230 V	50 Hz	4-žilni 2,0 mm ²	ø9,52 mm (0,8 mm)	ø6,35 mm (0,8 mm)	14 mm
MFZ-KT35VG				ø12,7 mm (0,8 mm)		
MFZ-KT50VG				ø15,88 mm (0,8 mm)		
MFZ-KT60VG						

*1 Priključite na prekidač napajanja koji ima razmak od 3 mm ili više kada otvorite za prekid faze izvora napajanja. (Kada se prekidač isključuje, on mora da prekine sve faze.)
 *2 Koristite žice u skladu sa dizajnom 60245 IEC 57.
 *3 Nikada ne koristite cevi čija je debljina manja od navedene. Otpornost na pritisak će biti nedovoljna.

*4 Koristite bakarnu cev ili bešavnu cev od legure bakra.
 *5 Pazite da ne slomite cev ili ne napravite pregib na cevi tokom savijanja cevi.
 *6 Poluprečnik savijanja cevi za rashladnu tečnost mora da iznosi 100 mm ili više.
 *7 Izolacioni materijal: Plastična pena otporna na toplotu specifične težine 0,045

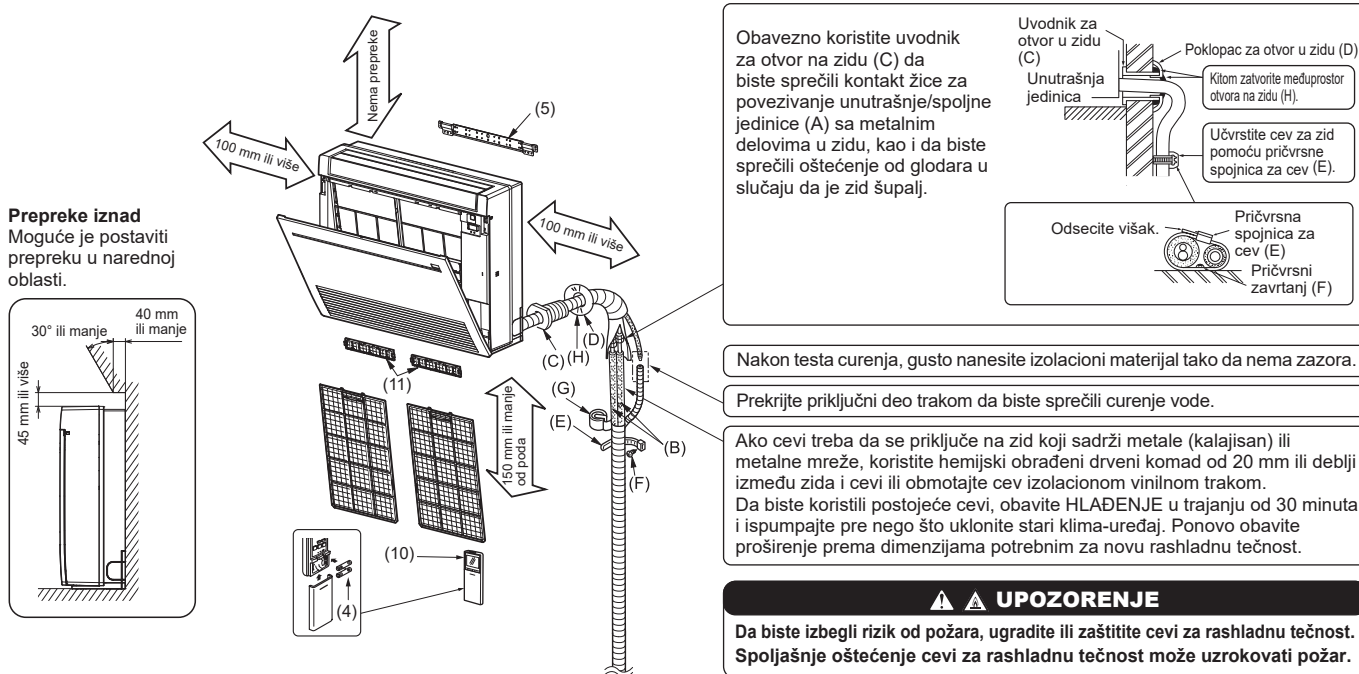
*8 Obavezno koristite izolaciju navedene debljine. Prekomerna debljina može dovesti do nepravilne montaže unutrašnje jedinice a nedovoljna debljina može dovesti do kapanja vode.

1-4. DIJAGRAM ZA MONTAŽU

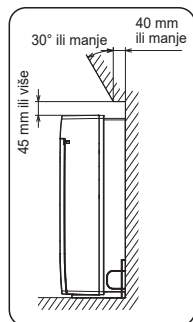
Pri ugradnji spoljnih jedinica, pogledajte uputstvo za ugradnju spoljnih jedinica.

U tabeli specifikacija cevi nije navedena minimalna dužina kompleta cevi. Međutim, unutrašnje jedinice čije su povezane cevi kraće od 3 m mogu da proizvode buku isprekidanog zvuka u toku uobičajenog rada sistema u izuzetno tihom okruženju.

Imajte u vidu tu važnu informaciju kad ugrađujete i tražite unutrašnju jedinicu u klimatizovanom prostoru.



Prepreke iznad
Moguće je postaviti prepreku u narednoj oblasti.



Jedinice treba da montira licencirani izvođač radova u skladu sa lokalnim propisima.

DODATNA OPREMA

Pre montaže proverite sledeće delove.

(1) Odvodno crevo*	1
(2) Poklopac za cev	1
(3) Spojnica	2
(4) Baterija (AAA) za (10)	2
(5) Nosač za montiranje unutrašnje jedinice	1
(6) Pričvrtni zavrtnj za (5) 4 × 25 mm	5
(7) Drveni zavrtnj za pričvršćivanje unutrašnje jedinice	4
(8) Podloška (7)	4
(9) Filcana traka (za cevi sa leve ili zadnje leve strane)	1
(10) Bežični daljinski upravljač	1
(11) Filter za čišćenje vazduha	2
(12) Spojna cev (samo KT60)	1
(13) Poklopac za spojnu cev (samo KT60)	1
(14) Oznaka prekidača	1
(15) Obaveštenje za prekidač	1

DELOVI KOJE TREBA OBEZBEDITI NA MESTU UGRADNJE

(A) Žica za povezivanje unutrašnje/spoljne jedinice*	1
(B) Produžna cev	1
(C) Uvodnik za otvor u zidu	1
(D) Poklopac za otvor u zidu	1
(E) Pričvrtna spojnica za cev	2 do 5
(F) Pričvrtni zavrtnj za (E) 4 × 20 mm	2 do 5
(G) Traka za cevi	1
(H) Kit	1
(J) Odvodno crevo (ili meko PVC crevo unutrašnjeg prečnika 15 mm ili tvrda PVC cev VP16)	1 ili 2
(K) Kabl za napajanje*	1
(L) Opseg (samo Wi-Fi interfejs veza)	2

* Napomena:
Postavite žicu za povezivanje unutrašnje/spoljne jedinice (A) i kabl za napajanje (K) na udaljenosti od najmanje 1 m od žice antene televizora.

* Napomena:
Odvodno crevo je povezano na jedinicu.

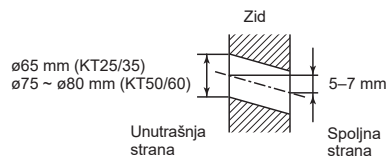
2. MONTAŽA UNUTRAŠNJE JEDINICE

2-1. PRIČVRŠĆIVANJE NOSAČA ZA MONTIRANJE UNUTRAŠNJE JEDINICE

- Ne montirajte unutrašnju jedinicu na mestu višem od 150 mm.
- Na zidu pronađite konstrukcioni materijal (kao što je pregradni stubić) i vodoravno pričvrstite držač (5) pričvrsnim zavrtnjima (6).
- Da biste sprečili vibriranje držača (5), obavezno postavite pričvrzne zavrtnje u otvore naznačene na slici. Pričvrtni zavrtnji se mogu postaviti i u druge otvore radi dodatne podrške.

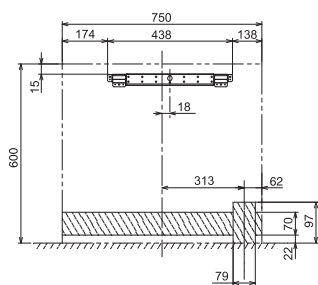
2-2. BUŠENJE OTVORA

- 1) Odredite položaj otvora u zidu.
- 2) Probušite otvor prečnika 65 mm (preč. 75 ~ 80 mm za KT50/60). Spoljna strana treba da bude od 5 do 7 mm niža od unutrašnje strane.
- 3) Umetnite uvodnik za otvor u zidu (C).

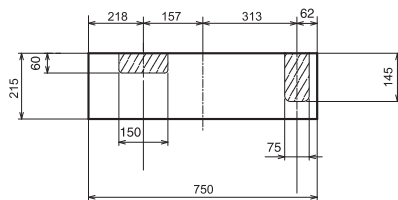


POLOŽAJI OTVORA

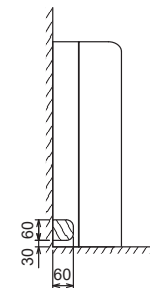
ZA CEVI SA ZADNJE ILI ZADNJE LEVE STRANE
(Sledeća slika predstavlja prikaz spreda mesta za postavljanje unutrašnje jedinice.)



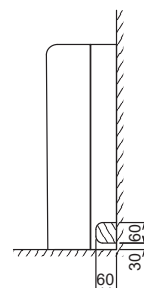
ZA CEVI SA DESNE ILI LEVE STRANE USMERENE NADOLE
(Sledeća slika predstavlja donji deo unutrašnje jedinice prikazan odozgo.)



ZA CEVI SA LEVE STRANE



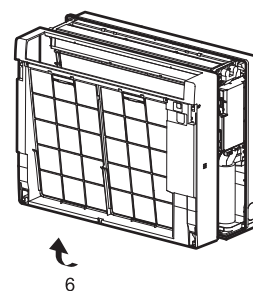
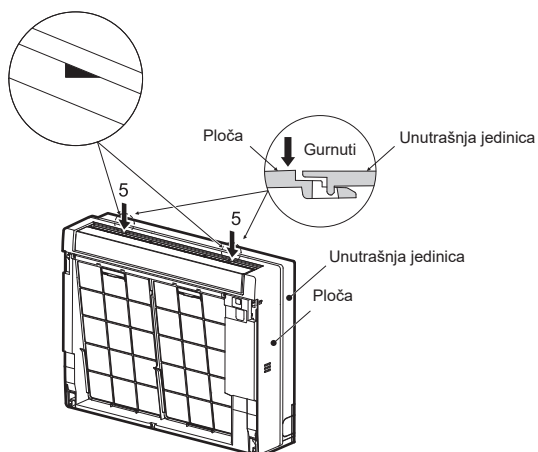
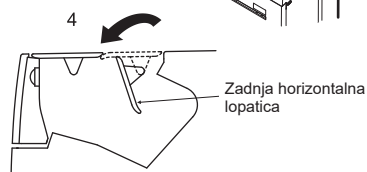
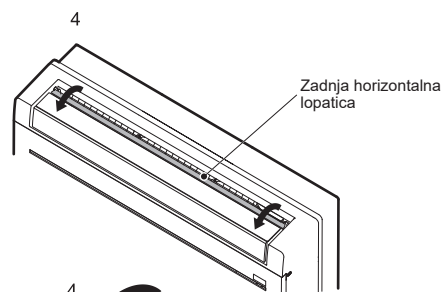
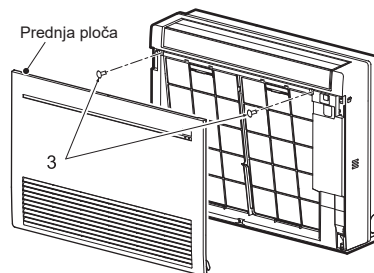
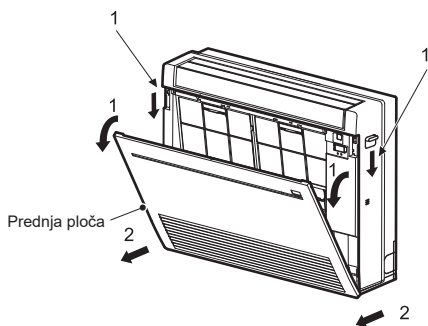
ZA CEVI SA DESNE STRANE



2-3. PRIPREMA UNUTRAŠNJE JEDINICE

Uklonite prednju ploču unutrašnje jedinice.

- 1) Pogurajte nadole jezičak sa obe strane jedinice da biste otvorili prednju ploču.
- 2) Prednju ploču povucite prema sebi da biste je uklonili.
- 3) Uklonite 2 zavrtnja.
- 4) Otvorite zadnju horizontalnu lopaticu.
- 5) Pritisnite 2 mesta na vrhu ploče i zatim povucite gornji deo ploče ka sebi.
- 6) Ploču uklonite dok je podizete (blago).



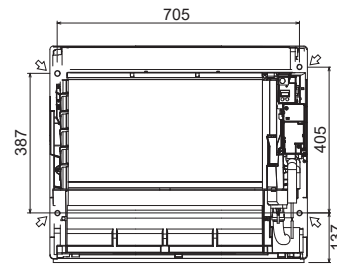
2-4. MONTAŽA UNUTRAŠNJE JEDINICE

2-4-1. MONTAŽA UNUTRAŠNJE JEDINICE NA POD

- 1) Postavite unutrašnju jedinicu na ravan pod.
- 2) Pričvrstite unutrašnju jedinicu na 4 tačke pomoću dostavljenih drvenih zavrtneva (7) i podloški (8). Čvrsto zategnite zavrtnje.

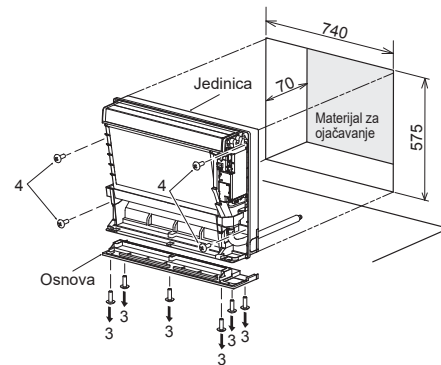
2-4-2. MONTIRANJE UNUTRAŠNJE JEDINICE NA ZID

- 1) Zakačite vrh unutrašnje jedinice na nosač za montiranje unutrašnje jedinice (5).
- 2) Pričvrstite unutrašnju jedinicu na 4 tačke pomoću dostavljenih drvenih zavrtneva (7) i podloški (8). Čvrsto zategnite zavrtnje.



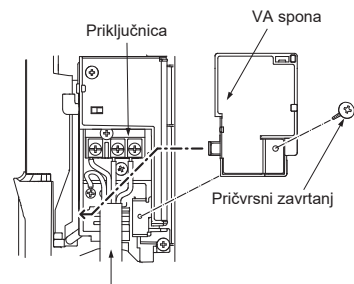
2-4-3. UGRADNJA UNUTRAŠNJE JEDINICE U ZID

- 1) Napravite otvor u zidu.
- 2) Pomoću materijala za ojačavanje, podesite dubinu.
- 3) Uklonite 6 zavrtneva koji pričvršćuju osnovu za jedinicu. Uklonite osnovu sa jedinice.
- 4) Pričvrstite unutrašnju jedinicu na 4 tačke pomoću dostavljenih drvenih zavrtneva (7) i podloški (8). Čvrsto zategnite zavrtnje.

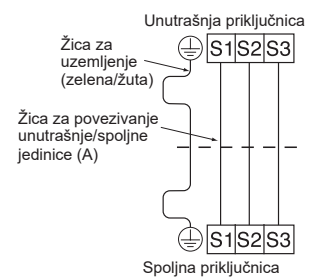
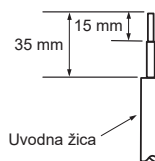


2-5. POVEZIVANJE ŽICA ZA UNUTRAŠNJU JEDINICU

- 1) Uklonite VA sponu.
- 2) Provucite žicu za povezivanje unutrašnje/spoljne jedinice (A) sa zadnjeg dela unutrašnje jedinice i obradite kraj žice.
- 3) Olabavite klemu sa zavrtnjem i na priključnicu prvo povežite žicu za uzemljenje, a zatim žicu za povezivanje unutrašnje/spoljne jedinice (A). Vodite računa da žice ne povežete pogrešno. Bezbedno pričvrstite žicu u priključnici tako da se ne pojavi nijedan deo njenog jezgra i da se spoljna sila ne prenosi na deo za povezivanje priključnice.
- 4) Čvrsto pritegnite kleme sa zavrtnjem da biste sprečili njihovo olabavljanje. Nakon pritezanja, pažljivo povucite žice da biste potvrdili da se ne pomeraju.
- 5) VA sponom učvrstite žicu za povezivanje unutrašnje/spoljne jedinice (A) i žicu za uzemljenje. Nikada ne propustite da zakačite levi zubac VA spona. Bezbedno pričvrstite VA sponu.



Žica za povezivanje unutrašnje/spoljne jedinice (A)



- Žica za uzemljenje treba da bude malo duža od drugih. (Više od 45 mm)
- Žice za povezivanje treba da budu nešto duže radi naknadnog servisiranja.
- Ne savijajte višak žice i ne gurajte ga u mali prostor. Vodite računa da ne oštetite žice.
- Svaki zavrtanj treba da bude pričvršćen na odgovarajuću klemu prilikom učvršćivanja kabla i/ili žice na priključnicu.

⚠ UPOZORENJE

Prilikom montaže jedinice, čvrsto spojite cevi za rashladnu tečnost pre nego što pokrenete kompresor.

2-6. OBLIKOVANJE I MONTIRANJE CEVI

Napomena: Pogledajte 3. VEZA ZA PROŠIRIVANJE, POVEZIVANJE CEVI.

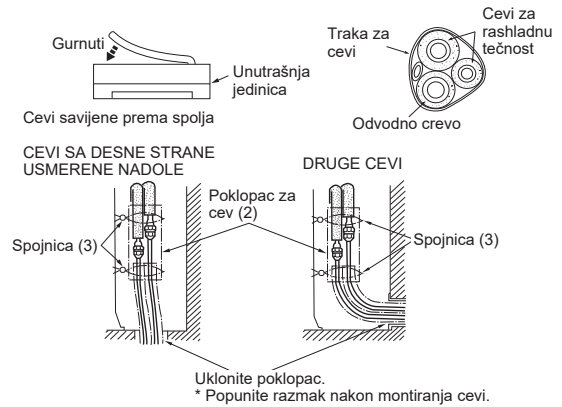
Oblikovanje cevi

- Provucite odvodno crevo dijagonalno ispod spojnih cevi.
- Vodite računa da odvodno crevo ne bude provučeno nagore i da ne bude prevoja na crevu.
- Ne povlačite crevo prilikom postavljanja trake.
- Provucite cevi tako da ne prolaze pored zadnjeg dela unutrašnje jedinice. (Pogledajte sliku sa desne strane.)

Montiranje spojnih cevi

- Spojne cevi montirajte tako da cevi mogu blago da se pomere unapred, unazad, ulevo i udesno.
- Kada je poklopac uklonjen, vodite računa da prekrijete cevi tako da nijedna cev ne bude izložena u prostoriji nakon montiranja.
- Popunite razmak nakon montiranja cevi.

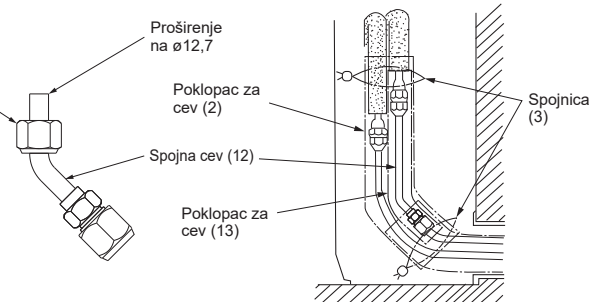
- Postarajte se da izolujete spojne cevi kako ne bi dolazile u kontakt sa pločom.
- Pazite da ne slomite spojne cevi kada ih savijate.



Za MFZ-KT60

- Obavezno koristite spojnu cev (12). U suprotnom, produžnu cev od $\varnothing 15,88$ nećete moći da pričvrstite.
- Proširite spojnu cev (12) na $\varnothing 12,7$ i stavite poklopac za cev (13).

Koristite proširene navrtke zakačene za jedinicu. Vodite računa da ne pogrešite smer okretanja navrtke.



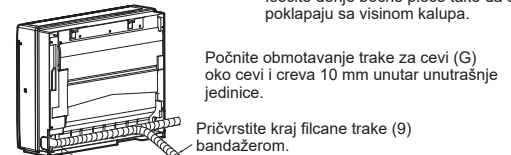
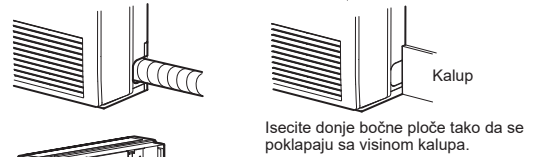
ZA CEVI SA LEVE ILI ZADNJE LEVE STRANE

Stavite spojne cevi i odvodno crevo u isti svežanj koji vezujete filcanom trakom (9).

Secite i koristite donje bočne ploče na levoj i desnoj strani unutrašnje jedinice kao što je prikazano u nastavku.

Uglačajte isečene ivice bočnih ploča tako da ne oštete izolacionu oblogu.

- Za cevi sa leve ili desne strane
- Montiranje izliva u ravni sa zidom sa kalupom

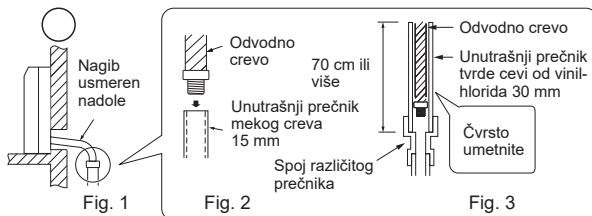


Uverite se da odvodno crevo nije provučeno nagore.

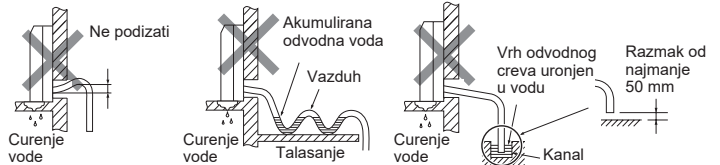
Čvrsto obmotajte filcanu traku (9) oko cevi i creva počevši od mesta na kom su provučeni kroz unutrašnju jedinicu. (Širina preklapanja filcane trake (9) ne treba da bude veća od 1/2 širine trake.)

2-7. ODVODNE CEVI

- Ako produžno odvodno crevo mora da prođe kroz prostoriju, obavezno ga obmotajte komercijalno dostupnom izolacionom trakom.
- Odvodno crevo treba da bude usmereno nadole radi jednostavnog protoka odvoda. (Fig. 1)
- Ako je odvodno crevo koje je isporučeno sa unutrašnjom jedinicom prekratko, spojite ga sa odvodnim crevom (J) koje treba da bude obezbeđeno na lokaciji. (Fig. 2)
- Koristite traku ili neki drugi materijal za zaptivanje priključka između odvodnog creva proizvoda i produžnog odvodnog creva (unutrašnjeg prečnika 16 mm) (J).
- Prilikom spajanja odvodnog creva na cev od tvrdog vinil-hlorida, pobrinite se da ga čvrsto uvučete u cev. (Fig. 3)



Ne postavljajte odvodne cevi kao što je prikazano u nastavku.



Odvodno crevo je uklonjeno pri montiranju.

- Prilikom provlačenja odvodnih cevi, vodite računa da se odvodno crevo (1) provuče kao što je prikazano. (Fig. 4)
- Odvodno crevo potpuno umetnite do osnovne odvodne posude (krajnji priključak). (Fig. 5)
- Vodite računa da se kvačica odvodnog creva čvrsto zakači za ispušćeni deo na priključku za crevo na odvodnoj posudi.
- Nakon povezivanja odvodnog creva, obavezno povucite crevo da biste potvrdili da je pravilno povezano.

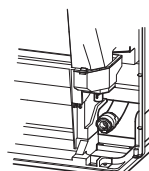


Fig. 4

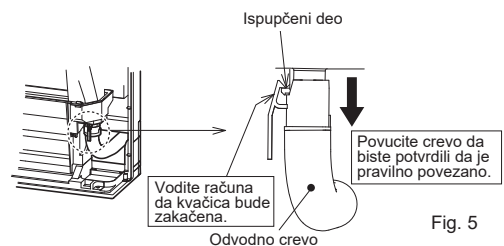
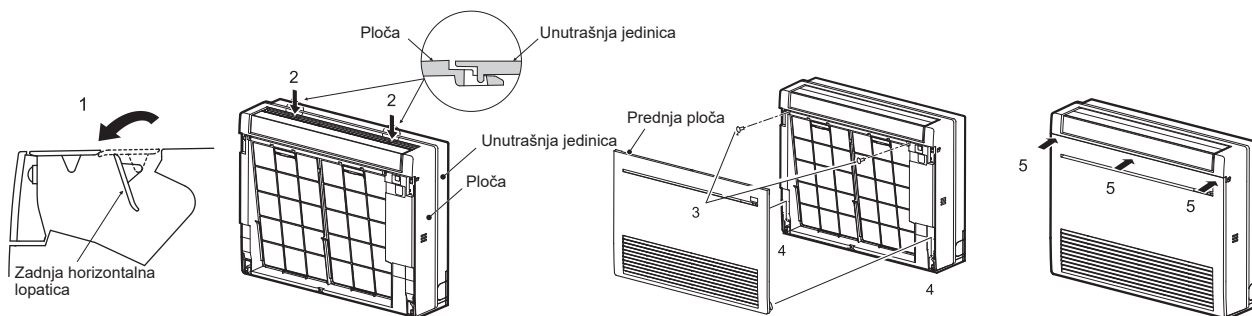


Fig. 5

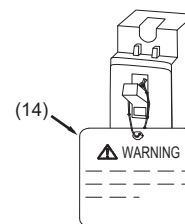
2-8. MONTIRANJE PREDNJE PLOČE

- 1) Otvorite zadnju horizontalnu lopaticu.
- 2) Pričvrstite ploču. Vodite računa da kvačice budu zakačene.
- 3) Ploču pričvrstite zavrtnjima.
- 4) Umetnite donji deo prednje ploče.
- 5) Pritisnite 3 tačke na gornjem delu prednje ploče da biste je zatvorili.



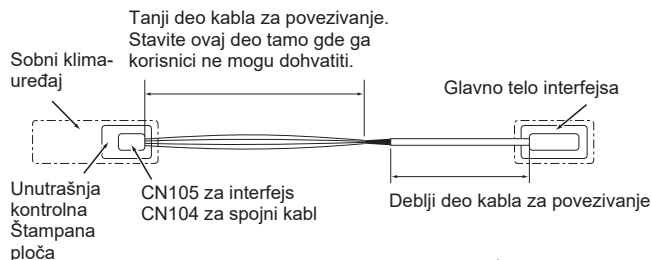
2-9. KAKO PRIČVRSTITI NALEPNICU I OBJAŠNJENJE

Prekidač mora uvek biti UKLJUČEN, osim kada se obavlja održavanje ili provera. Okačite priloženu nalepnicu (14) ili (15) na prekidač i objasnite njeno značenje korisnicima. Prilikom ISKLJUČIVANJA prekidača, napajanje se ne doprema do senzora rashladne tečnosti postavljenog u unutrašnjoj jedinici i curenje rashladne tečnosti se ne može detektovati. Napomena: Kada su žice odvojene za napajanje unutrašnje jedinice/spoljne jedinice, okačite priloženu nalepnicu (14) ili (15) na prekidač na strani unutrašnje jedinice i objasnite njeno značenje korisnicima.

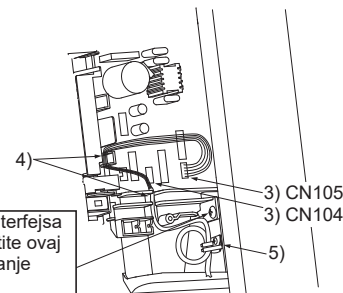


2-10. POVEZIVANJE INTERFEJSA (opciono)/SPOJNOG KABLA (opciono) SA KLIMA-UREĐAJEM

- Povežite interfejs/spojni kabl sa unutrašnjom kontrolnom štampanom pločom klima-uređaja koristeći kabl za povezivanje.
- Skraćivanje ili produžavanje kabla za povezivanje interfejsa/spojnog kabla može da dovede do nepravilnog povezivanja. Ne stavljajte kabl za povezivanje u isti svežanj zajedno sa kablom za napajanje, sa kablom za povezivanje unutrašnje i spoljne jedinice i/ili sa žicom za uzemljenje. Napravite što veći razmak između kabla za povezivanje i ostalih kablova.
- Tanak deo kabla za povezivanje treba da se smesti tamo gde korisnici ne mogu da dođu u kontakt sa njim.



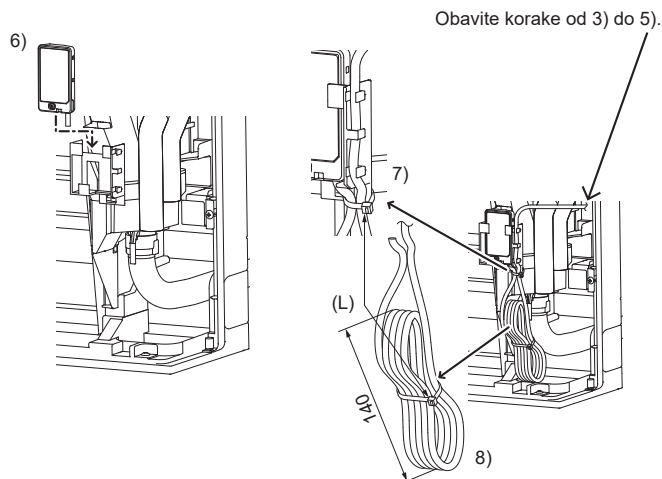
- 1) Uklonite ploču.
- 2) Otvorite poklopac unutrašnje kontrolne štampane ploče.
- 3) Povežite kabl za povezivanje sa CN105 i/ili CN104 na unutrašnjoj kontrolnoj štampanoj ploči.
- 4) Provučite kabl za povezivanje kroz ovu tačku na slici.
- 5) Pričvrstite stegu za kablove dobijenu uz interfejs/spojni kabl sa debelim delom kabla za povezivanje uz pomoć 4 × 16 zavrtnja, kako je prikazano na slici.
- 6) Zatvorite poklopac unutrašnje kontrolne štampane ploče. Vodite računa da ne prikleštite tanak deo kabla za povezivanje poklopcem. Vratite ploču.



Napomena:

Kada povezujete Wi-Fi interfejs (opciona) postavite interfejs u držač kao što je prikazano na slici. Podesite dužinu kabla i povežite ga kao što je prikazano na slici.

- 1) Uklonite ploču.
- 2) Otvorite poklopac unutrašnje kontrolne štampane ploče.
- 3) Povežite kabl za povezivanje sa CN105 na unutrašnjoj kontrolnoj štampanoj ploči.
- 4) Provučite kabl za povezivanje kroz ovu tačku na slici.
- 5) Pričvrstite stegu za kablove dobijenu uz interfejs/spojni kabl sa debelim delom kabla za povezivanje uz pomoć 4 × 16 zavrtnja, kako je prikazano na slici.
- 6) Postavite Wi-Fi interfejs u držač.
- 7) Postavite kabl za povezivanje u držač, a zatim ga pričvrstite trakom (L).
- 8) Svežite višak kabla trakom (L). Namotan deo treba da bude oko 140 mm.
- 9) Zatvorite poklopac unutrašnje kontrolne štampane ploče. Vodite računa da poklopcem ne prikleštite tanak deo kabla za povezivanje. Vratite ploču.



⚠ UPOZORENJE

Pričvrstite kabl za povezivanje na naznačeno mesto.
Neispravna ugradnja može da dovede do električnog udara, požara i/ili kvara.

3. VEZA ZA PROŠIRIVANJE, POVEZIVANJE CEVI

3-1. PROŠIRIVANJE CEVI

- 1) Rezačem cevi pravilno odsecite bakarnu cev. (Fig. 1, 2)
- 2) Potpuno uklonite sve hrapave ivice sa isečenog poprečnog preseka cevi. (Fig. 3)
 - Okrenite kraj bakarne cevi nadole prilikom uklanjanja hrapavih ivica da bi se izbeglo upadanje opiljaka u cevi.
- 3) Uklonite proširene navrtke pričvršćene na unutrašnju i spoljnu jedinicu, a zatim ih postavite na cev nakon što završite uklanjanje hrapavih ivica. (Postavljanje nije moguće nakon proširivanja.)
- 4) Proširivanje (Fig. 4, 5). Čvrsto držite bakarnu cev sa dimenzijama kao što je prikazano u tabeli. Izaberite A mm iz tabele prema alatu koji koristite.
- 5) Proverite
 - Uporedite proširivanje sa Fig. 6.
 - Ako je proširenje oštećeno, odsecite prošireni deo i ponovo obavite proširivanje.

Prečnik cevi (mm)	Navrtka (mm)	A (mm)			Moment pritezanja	
		Alat za stezanje za R32, R410A	Alat za stezanje za R22	Alat za leptiraste navrtke za R22	N•m	kg•cm
ø6,35 (1/4")	17	0 do 0,5	1,0 do 1,5	1,5 do 2,0	14 do 18	140 do 180
ø9,52 (3/8")	22			2,0 do 2,5	34 do 42	340 do 420
ø12,7 (1/2")	26			-	49 do 61	490 do 610
ø15,88 (5/8")	29			-	68 do 82	680 do 820

3-2. POVEZIVANJE CEVI

- Pričvrstite proširenu navrtku pomoću moment ključa kao što je navedeno u tabeli.
- Kada je proširena navrtka prejako pritegnuta, može se slomiti nakon dugog perioda i izazvati curenje rashladne tečnosti.
- Obavezno obmotajte izolaciju oko cevi. Direktni kontakt sa golom cevi može izazvati opekotine ili promrzline.

Povezivanje unutrašnje jedinice

- Povežite cevi za tečnost i cevi za gas na unutrašnju jedinicu.
- Ulje za hlađenje ne treba nanositi na navoje zavrtnja. Preveliki moment pritezanja će izazvati oštećenje zavrtnja.
 - Prilikom spajanja prvo poravnajte centar, a zatim rukom pritegnite prva 3 do 4 okreta proširene navrtke.
 - Koristite gornju tabelu sa momentima pritezanja kao smernicu za deo bočne spojnice unutrašnje jedinice i pritegnite pomoću dva ključa. Preterano pritezanje oštećuje prošireni deo.

⚠ UPOZORENJE

Mehanički priključci za višekratnu upotrebu i prošireni spojevi nisu dozvoljeni u zatvorenom prostoru.
Kada se sistem cevi za rashladnu tečnost spaja tvrdim lemljenjem, a ne upotrebom proširenih spojeva, završite sve radove lemljenja pre spajanja unutrašnje sa spoljnom jedinicom.

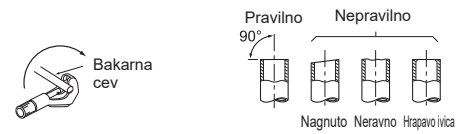


Fig. 1

Fig. 2

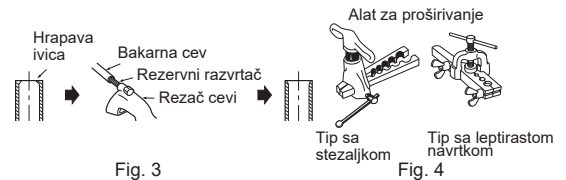


Fig. 3

Fig. 4

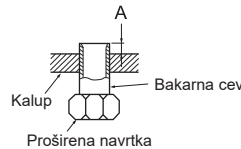


Fig. 5

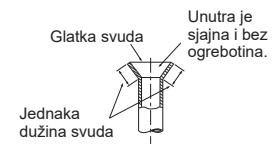
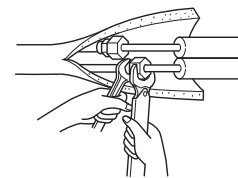


Fig. 6



⚠ UPOZORENJE

Prilikom montaže jedinice, čvrsto spojite cevi za rashladnu tečnost pre nego što pokrenete kompresor.

4. PROBNI RAD

4-1. PROBNI RAD

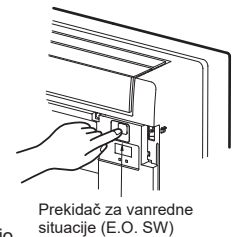
Obavezno proverite sledeće.

- Da li je ploča pravilno postavljena.
- Da li su unutrašnja i spoljna jedinica pravilno postavljene i da li ima napajanja.

- 1) Pritisnite prekidač E.O. SW jednom za HLAĐENJE a dva puta za GREJANJE. Probní rad će se obavljati 30 minuta. Ako levo svetlo indikatorne lampice uključenosti treperi na svakih 0,5 sekundi, proverite da li je žica za povezivanje unutrašnje/spoljašnje jedinice (A) nepravilno povezana. Nakon probnog rada počinje režim rada u vanrednim situacijama (podesite temperaturu na 24°C).
- 2) Da biste zaustavili rad, pritisnite prekidač E.O. SW nekoliko puta dok se sve LED lampice ne isključe. Pogledajte uputstva za rukovanje za detalje.

Provera prijema daljinskog (infracrvenog) signala

- Pritisnite taster ON/OFF (uključivanje/isključivanje) na daljinskom upravljaču (10) proverite da li se iz unutrašnje jedinice čuje elektronski zvuk. Ponovo pritisnite taster ON/OFF (uključivanje/isključivanje) da biste isključili klima-uređaj.
- Kada se kompresor zaustavi, uređaj za preventivno ponovno uključivanje radi tako da kompresor neće raditi 3 minuta da bi se zaštitio klima-uređaj.



Prekidač za vanredne situacije (E.O. SW)

4-2. FUNKCIJA AUTOMATSKOG PONOVOG POKRETANJA

Ovaj proizvod je opremljen funkcijom automatskog ponovnog pokretanja. Kada tokom rada dođe do prekida napajanja strujom, kao što je prekid usled nestanka struje, funkcija automatski počinje da radi u prethodno podešenom režimu kada se napajanje strujom obnovi. (Pogledajte uputstva za rukovanje za detalje.)

Oprez:

- Nakon probnog rada ili provere prijema signala daljinskog upravljača, isključite jedinicu putem prekidača E.O. SW ili daljinskog upravljača pre isključivanja napajanja strujom. Ako to ne uradite, jedinica će automatski početi da radi kada se napajanje strujom obnovi.

Za korisnika

- Nakon ugradnje jedinice, obavezno korisniku objasnite funkciju automatskog ponovnog pokretanja.
- Ako funkcija automatskog ponovnog pokretanja nije potrebna, možete da je deaktivirate. Obratite se predstavniku servisa radi deaktivacije ove funkcije. Pogledajte servisno uputstvo za detalje.

4-3. OBJAŠNJENJE KORISNIKU

- Koristeći UPUTSTVA ZA RUKOVANJE, objasnite korisniku kako da koristi klima-uređaj (kako da koristite daljinski upravljač, kako da izvadite filtere za vazduh, kako da izvadite daljinski upravljač iz njegovog držača ili kako da ga stavite u isti, kako da očistite, mere opreza pri radu itd.).
- Preporučite korisniku da pažljivo pročita UPUTSTVA ZA RUKOVANJE.

5. ISPUMPAVANJE

Vodite se postupcima koji su naznačeni u uputstvu za ugradnju spoljašnje jedinice.

UPOZORENJE

U slučaju curenja rashladnog sistema, nemojte vršiti ispušavanje pomoću kompresora. Kada se rashladna tečnost ispušava, zaustavite kompresor pre odvajanja cevi za rashladnu tečnost. Kompresor može da eksplodira ako u njegovu unutrašnjost dospe vazduh itd.

This product is designed and intended for use in the residential, commercial and light-industrial environment.

MITSUBISHI ELECTRIC CORPORATION

HEAD OFFICE: TOKYO BUILDING, 2-7-3, MARUNOUCHI, CHIYODA-KU, TOKYO 100-8310, JAPAN

DG79V609H01