

Part number

# JCVP 10 LP



Surface mounting housing, JEI®-V series, with 1 lever, Pg16 cable entry, size "57.27", with plastic cover

## Product description

|                      |                          |
|----------------------|--------------------------|
| <b>Product type</b>  | Surface mounting housing |
| <b>Series</b>        | JEI®-V                   |
| <b>Closing type</b>  | With 1 lever             |
| <b>Size</b>          | Size 57.27               |
| <b>Cable entry</b>   | With cable entry<br>Pg16 |
| <b>Specification</b> | With plastic cover       |

## Technical data

|   |                |
|---|----------------|
| <b>IP degree of protection</b>                | IP65           |
| <b>Further technical details</b>              |                |
| <b>Weight</b>                                 | 276,00 g       |
| <b>Operating temperature range (min, max)</b> | -40°C...+125°C |

## Material properties

|                        |  |
|------------------------|--|
| <b>Other materials</b> | Lever: Galvanized steel<br>Gasket: NBR |
| <b>Colour</b>          | RAL 7040 grey                          |

## Approvals / Standards

|                       |         |
|-----------------------|---------|
| <b>Certifications</b> | DNV, BV |
| <b>UL</b>             | ECBT2   |
| <b>cUL</b>            | ECBT8   |

## General ordering information

|                   |               |
|-------------------|---------------|
| <b>EAN13 code</b> | 8015747137744 |
|-------------------|---------------|

## Packaging Information

|                                  |                       |
|----------------------------------|-----------------------|
| <b>Packaging length</b>          | 370,00 mm             |
| <b>Packaging height</b>          | 140,00 mm             |
| <b>Packaging width</b>           | 210,00 mm             |
| <b>Packaging weight</b>          | 3,01 kg               |
| <b>Packaging volume</b>          | 10,88 dm <sup>3</sup> |
| <b>Packaging description</b>     | Carton box            |
| <b>Packaging quantity</b>        | 10 Pcs                |
| <b>Packaging EAN code</b>        | 8015747144124         |
| <b>Sub-packaging weight</b>      | 1,51 kg               |
| <b>Sub-packaging description</b> | Plastic packaging     |
| <b>Sub-packaging quantity</b>    | 5 Pcs                 |
| <b>Sub-packaging EAN barcode</b> | 8015747140416         |

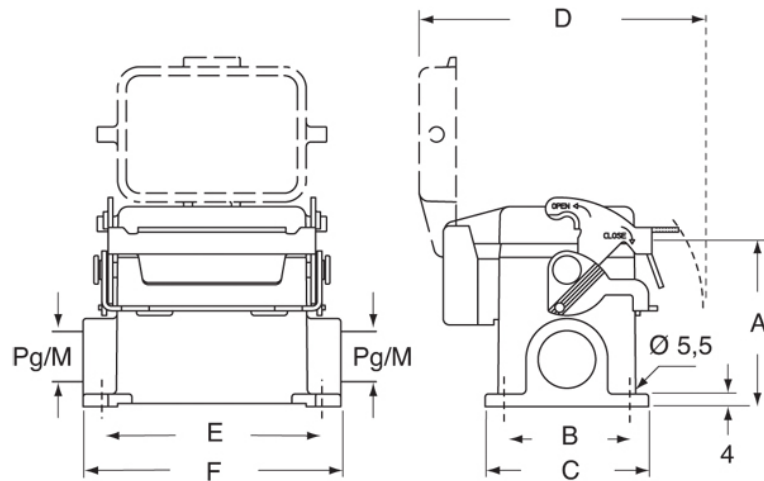
Part number

# JCVP 10 LP



Catalogue drawings

## JCVP LP



|            | A  | B  | C  | D  | E   | F    |
|------------|----|----|----|----|-----|------|
| JCVP 06 LP | 53 | 40 | 52 | 91 | 70  | 82   |
| JCVP 10 LP | 57 | 40 | 52 | 94 | 82  | 93,5 |
| JCVP 16 LP | 63 | 45 | 57 | 94 | 105 | 117  |
| JCVP 24 LP | 63 | 45 | 57 | 94 | 132 | 144  |

## Notes

Dimensions shown in mm are not binding and may be changed without notice.