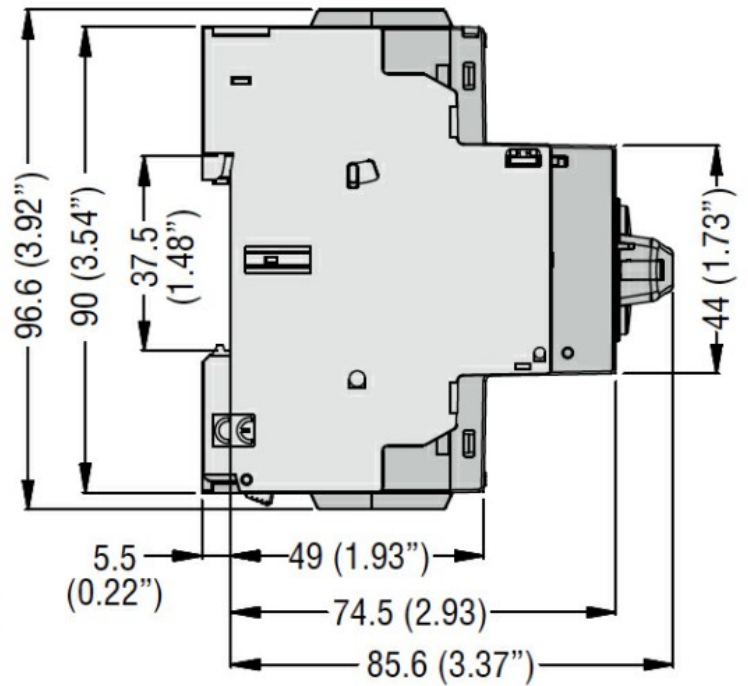
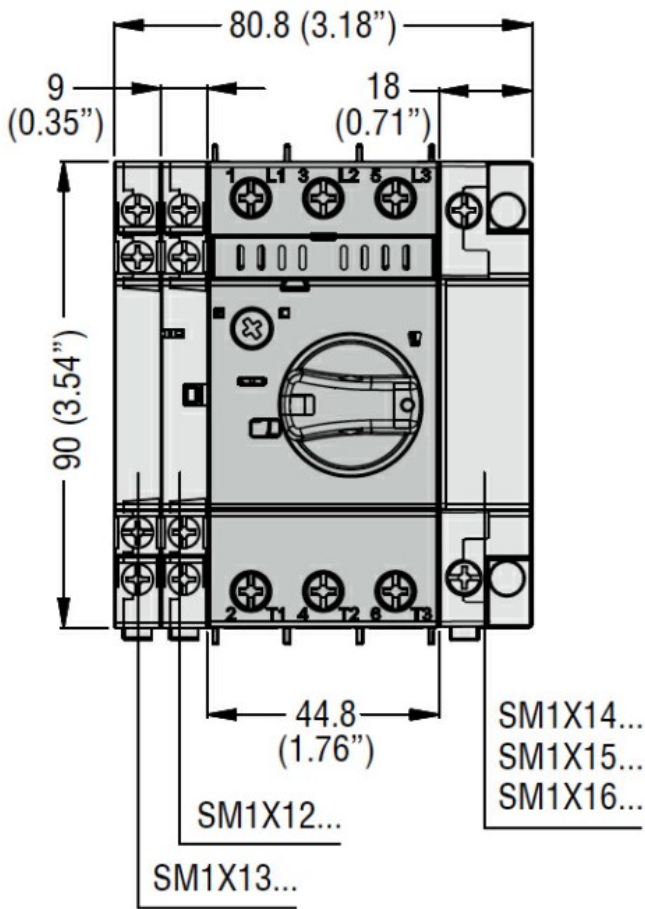




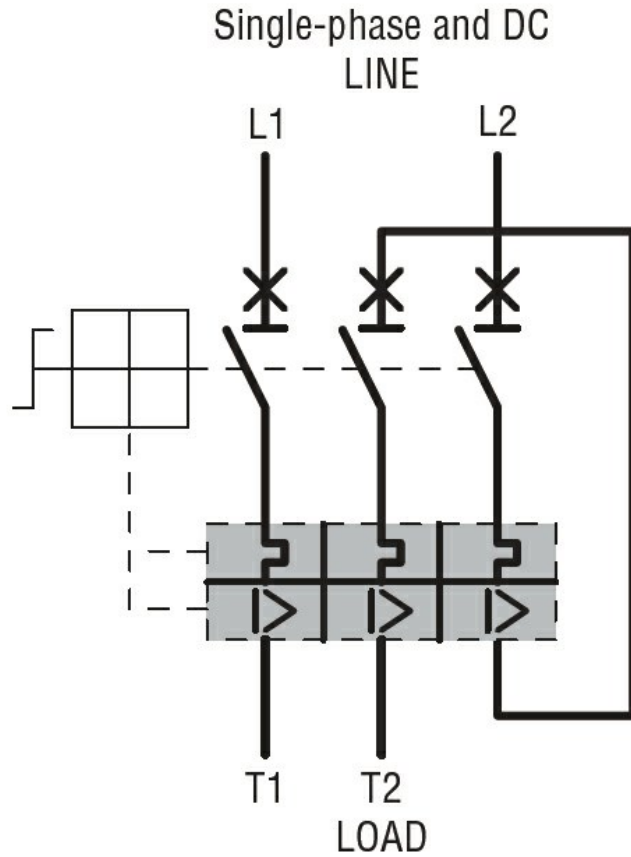
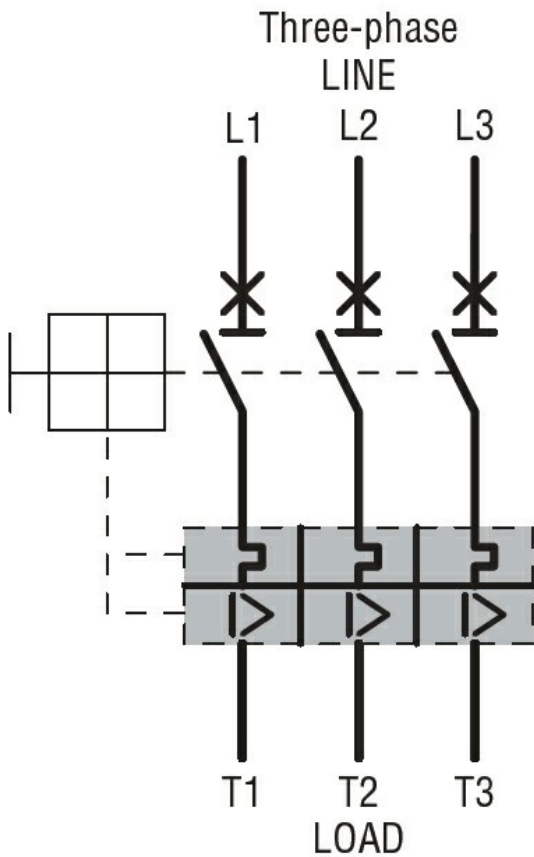
Product designation				Motor protection circuit breaker SM1RM
Product type designation				SM1RM
Electrical features				
Magnetic protection				yes
Thermal protection				no
Rated insulation voltage U_i IEC/EN	V			690
Rated impulse withstand voltage U_{imp}	kV			6
Rated frequency	Hz			50/60
Rated current (I_n)	A			10
Magnetic tripping				13 x I_n
Power dissipation per pole	min	W	1.03	
	max	W	2.61	
Operational short-circuit current breaking capacity (I_{cs}) at AC	230V	kA	100	
	400V	kA	100	
	440V	kA	42	
	500V	kA	42	
	690V	kA	2	
	Maximum short-circuit current breaking capacity (I_{cu}) at AC	230V	kA	100
400V		kA	100	
440V		kA	42	
500V		kA	42	
690V		kA	4	
IEC Utilization category				
Operations				
Mechanical life				cycles 100000
Electrical life				cycles 100000
Mechanical features				
Tightening torque for terminals	min	Nm	2.5	
	max	Nm	3	
	min	lbin	22	
	max	lbin	26.5	
Conductor section	AWG/Kcmil	min	16	
		max	8	
Flexible w/o lug conductor section	min	mm ²	1	
	max	mm ²	10	
Flexible c/w lug conductor section	min	mm ²	1	

		max	mm ²	10
Flexible with insulated spade lug conductor section		min	mm ²	1
		max	mm ²	10
Screwdriver				PH2
Cable stripping length				
	main circuit		mm	12
Ambient conditions				
Temperature				
Operating temperature				
		min	°C	-20
		max	°C	+60
Storage temperature				
		min	°C	-50
		max	°C	+80
Compensation temperature				
		min	°C	-20
		max	°C	+50
Max altitude			m	3000
Operating position		allowable		Any
Fixing				Screw / DIN rail 35mm
Weight			g	390
UL technical data				
Motor Disconnect				
		at 480V	kA	30
		at 600V	kA	30
		protection		100A class J
Group Motor Installation				
		at 480V	kA	30
		at 600V	kA	30
		protection		100A class J
Tap Conductor Protection				
		at 480Y/277V	kA	65
		at 600Y/347V	kA	30

Dimensions



Wiring diagrams



Certifications and compliance

Certifications

CSA C22.2 n° 60947-4-1

IEC/EN 60947-1

IEC/EN 60947-2

IEC/EN 60947-4-1

UL60947-4-1

Compliance

cULus

EAC

ETIM classification

ETIM 8.0

EC000074 -
Motor protection
circuit-breaker