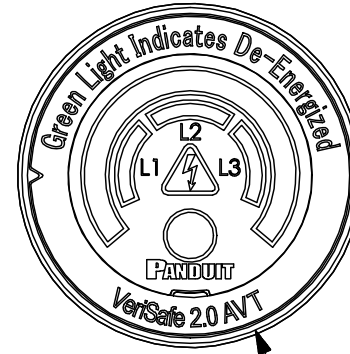


VS2-AVT-3IF



NOTES:

READ PRODUCT INSTRUCTIONS BEFORE USING

SYSTEM CABLE NOT INCLUDED

PANDUIT PART NO.:

**VS2-AVT-1IF
(SINGLE PHASE INDICATOR MODULE)**

**VS2-AVT-3IF
(THREE PHASE INDICATOR MODULE)**

FOR USE WITH VS2-AVT-* PART NUMBERS

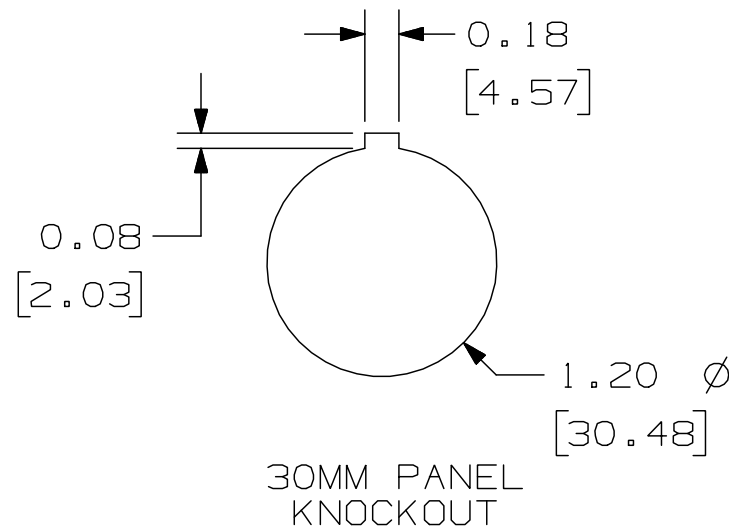
DEGREE OF PROTECTION:

TYPE (UL, NEMA, CSA) 1, 12, 4, 4X, 13, IP66, IP67, IP69

WEIGHT

VS2-AVT-1IF: 45 gms / 0.10 lbs

VS2-AVT-3IF: 45 gms / 0.10 lbs



VS2-AVT-1IF

REV	DATE	BY	CHK	APR	DESCRIPTION	ECN
01	4/19/22	DJSL	DFA	MSAD	INITIAL RELEASE	120099/00

TITLE VERISAFE 2.0 BATTERY FREE INDICATOR MODULE (THREE PHASE AND SINGLE PHASE) CUSTOMER DRAWING											
ITEM REVISION NAME 00896EAA/01						DATASET FILE NAME 00896EAA_DC/01					
UNLESS OTHERWISE SPECIFIED, DIMENSIONAL TOLERANCES ARE: IN [mm]											
.x ± .1 [2.54]				.xxx ± .010 [.254]				MATERIAL: N/A			
.xx ± .02 [.51]				ANGLES ± 5°				DRAWING NUMBER: 00896EAA_DC			
DRAWN BY DJSL		DATE 4/19/22		CHK DFA		SCALE NONE		THIRD ANGLE PROJECTION		SHT 1 OF 1	
SIZE B											

NXGLOBAL_BSIZE