



Product designation				Enclosed switch disconnecter
Product type designation				GAZM
Number of poles		Nr.		3
Operating voltage type				AC
<b>Contact characteristics</b>				
IEC Conventional free air thermal current I <sub>th</sub>		A		80
Rated insulation voltage U <sub>i</sub> IEC/EN		V		1000
Rated impulse withstand voltage U <sub>imp</sub>		kV		8
Operating current I <sub>e</sub>				
	AC21A			
		400V	A	80
		500V	A	80
		690V	A	80
	AC22A			
		400V	A	80
		500V	A	80
		690V	A	80
	AC23A			
		400V	A	80
		500V	A	63
		690V	A	47
Power dissipation per pole max			W	2.6
Rated operational power AC23A				
		400V	kW	45
		690V	kW	45
Conditional short-circuit current (rms)			kA	50
Short-circuit protection with fuse			Class/A	gG80
Making capacity AC23A 400V			A	1250
Breaking capacity AC23A 400V			A	1000
Mechanical life			cycles	30000
Electrical life AC21A			cycles	30000
<b>Mechanical features</b>				
Operating position		normal allowable		Vertical plan Any
Terminals				
		type		Pillar
		width	mm	12.4
		height	mm	10.4
		screw		M8
		tool		Metric Allen key 4
Tightening torque for terminals				
		min	Nm	5
		max	Nm	6

	min	lbin	45
	max	lbin	54

Conductor section	IEC min	mm <sup>2</sup>	4
	IEC max	mm <sup>2</sup>	70
	AWG/kcmil min		12
	AWG/kcmil max		1

**Ambient conditions**

Operating temperature	min	°C	-25
	max	°C	+55

Storage temperature	min	°C	-40
	max	°C	+70

Max altitude	m	3000
--------------	---	------

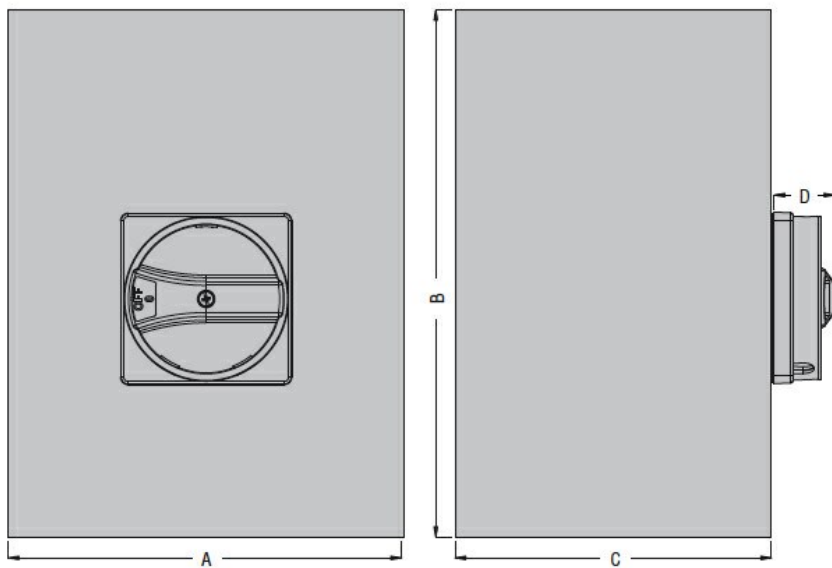
**Resistance & Protection**

Frontal IP degree	IP65
-------------------	------

IP degree of protection	IP65
-------------------------	------

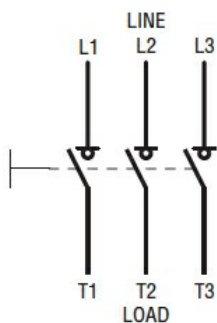
Pollution degree	3
------------------	---

**Dimensions**



Type	A	B	C	D
GAZM016...GAZM100...	150 (5.90")	200 (7.87")	120 (4.72")	23 (0.90")

**Wiring diagrams**



**Certifications and compliance**

**Compliance**

IEC/EN 60947-1  
IEC/EN 60947-3

---

ETIM classification

ETIM 8.0

EC000216 -  
Switch  
disconnecter