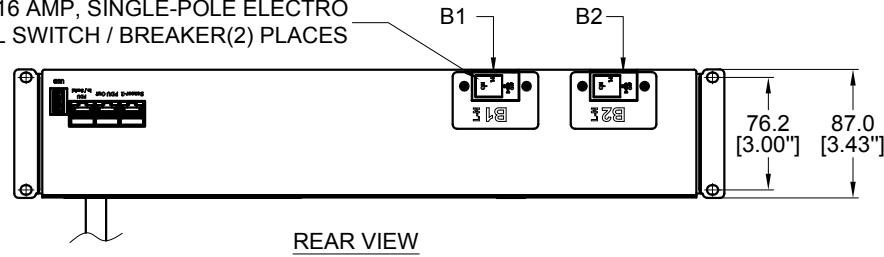
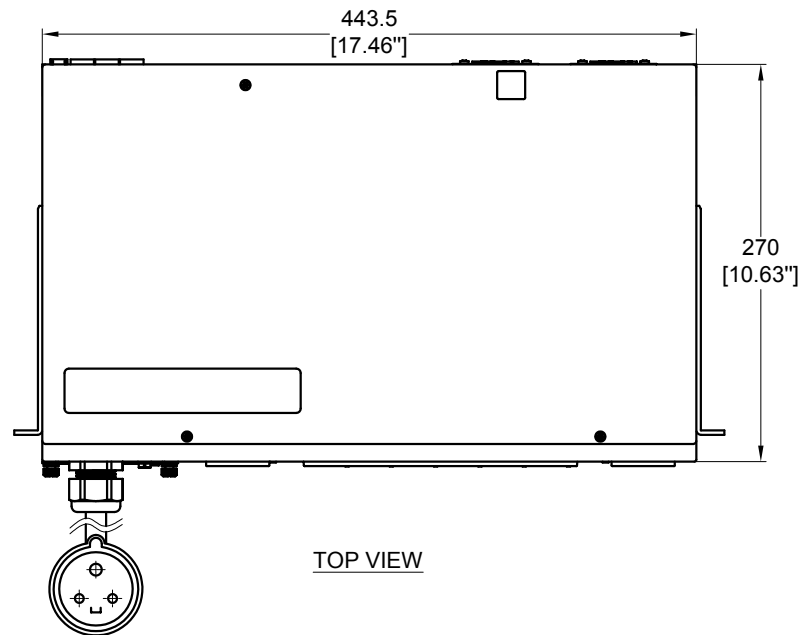


PANDUIT P/N	WEIGHT
P16E26M	6.8kg

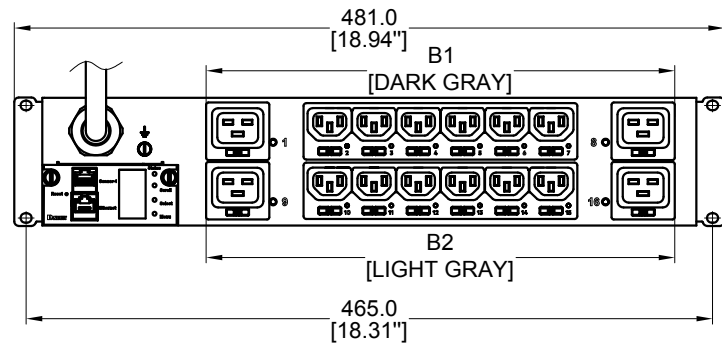
16 AMP, SINGLE-POLE ELECTRO MECHANICAL SWITCH / BREAKER(2) PLACES



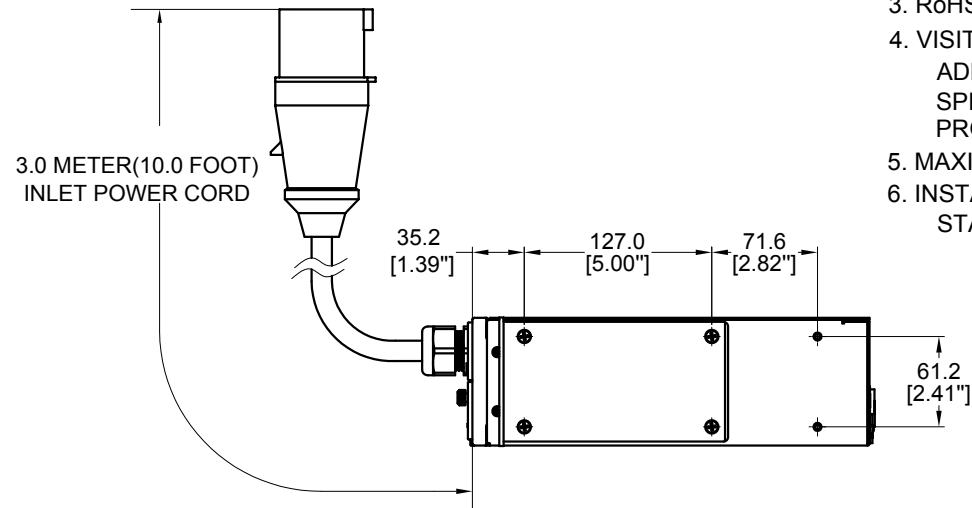
REAR VIEW



TOP VIEW



FRONT VIEW



SIDE VIEW

NOTES:

1. IDENTIFICATION:

UNIT TYPE: MONITORED SWITCHED
 ORIENTATION: HORIZONTAL, 2U
 OUTLET QTY&TYPE: (12) C13, (4) C19
 BREAKER QTY&TYPE: (2) 16AMP, SINGLE-POLE
 INPUT VOLTAGE: 200-240VAC
 INPUT CURRENT: 32A
 INPUT PHASE: SINGLE-PHASE
 RATED POWER: 7.4kVA
 INPUT PLUG: IEC 60309 2P+E 6H 32A
 INPUT CORD LENGTH: 3m [10']

2. ACCESSORIES:

POCKET GUIDE
 QTY: (4) M6 X 12 PAN HEAD MACHINE SCREWS
 QTY: (4) M6 CAGED NUT

3. RoHS COMPLIANT

4. VISIT PANDUIT'S ON-LINE CATALOG AT WWW.PANDUIT.COM FOR ADDITIONAL PRODUCT INFORMATION CONTAINED IN THE SPECIFICATION SHEET AS WELL AS A CURRENT LIST OF PRODUCTS APPLICABLE FOR USE WITH THIS PART

5. MAXIMUM ALLOWABLE INPUT POWER = 7.4 kW

6. INSTALLATION SHALL COMPLY WITH ALL APPLICABLE NATIONAL, STATE, AND LOCAL CODES

PLUG
 32 AMP, 250V
 2P/3W
 IEC 60309, SPLASHPROOF IP44
 3J(S); 3U(W), 6H

FOUR (4)
 RECEPTACLES
 16 AMP, 250V
 STRAIGHT BLADE
 IEC 60320/C19

TWELVE (12)
 RECEPTACLES
 10 AMP, 250V
 STRAIGHT BLADE
 IEC 60320/C13

REV	DATE	BY	CHK	APR	DESCRIPTION	ECN
01A	07/11/2017	GEORGE	MIM	EDM	INITIAL RELEASE	P16E26M

WE ASK THAT YOU CHECK FULLY THE DIMENSIONS, NOTES, AND SIGN THE CLIENT SIGNATURE BOX. THE JOB WILL NOT PROGRESS WITHOUT SIGNED APPROVAL. PLEASE DO NOT DELAY IN RETURNING PROOF AS IT WILL AFFECT DELIVERY		SIGN
		DATE
		PRINT
TITLE INTELLIGENT SERIES PDU P16E26M CUSTOMER DRAWING		
ITEM REVISION NAME:		
DATASHEET FILE NAME:		
UNLESS OTHERWISE SPECIFIED DIMENSIONAL TOLERANCE ARE: mm [IN]		MATERIAL/COLOR:
Tolerance(mm) 04<200 ±0.5 200<4500 ±1.5 500<10000 ±2.5 1000<42000 ±4.0		N/A
THIRD ANGLE PROJECTION		DRAWING NUMBER: P16E26M_DC
DRAWN BY GEORGE	DATE 06/27/2017	CHK SEAN
SCALE NONE		SCALE B
SHT 1 OF 1		