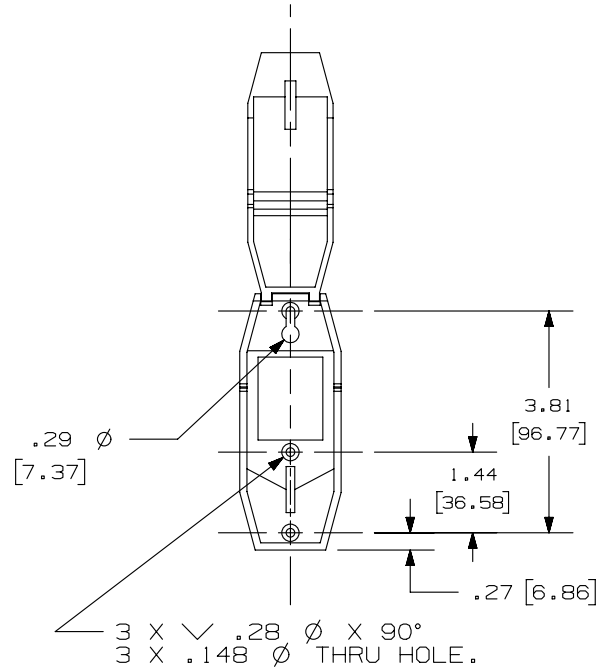
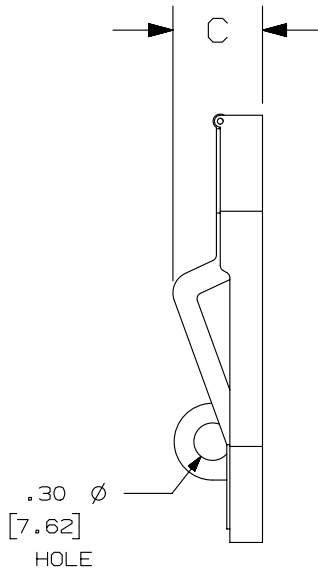
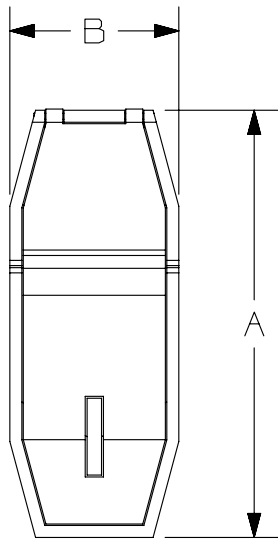


THIS COPY IS PROVIDED ON A RESTRICTED BASIS AND IS NOT TO BE USED IN ANY WAY DETRIMENTAL TO THE INTERESTS OF PANDUIT CORP.

2

1

PART NUMBER	DESCRIPTION	MATERIAL	COLOR	A	B	C	STANDARD PKG.
PSL-WS1A	WALL SWITCH LOCKOUT FOR STANDARD TOGGLE OR ROCKER SWITCHES	POLYCARBONATE/ABS FLAMMABILITY UL 94V0	RED	4.5" [114.3]	1.8" [45.7]	1.0" [25.4]	1



NOTES:  
1. MILLIMETERS SHOWN IN ( ).



REV	DATE	BY	CHK	APR	DESCRIPTION	ECN
2	6/16/14	RVU	MJPF	MSAD	4.5 WAS 4.9. ADD TOLERANCES.	GAECN02080
1	12/14/06	RVU			ADDED .30 DIA., .29 DIA., .27, 1.44, 3.81, 3 X .148 DIA.	4712
R	9/15/03	RVU			DRAWING RELEASE	2965

TITLE PSL-WS1A TOGGLE/ROCKER SWITCH LOCKOUT CUSTOMER DRAWING		<b>PANDUIT</b>
ITEM REVISION NAME I00619XL/01		
DATASET FILE NAME I00619XL_DC_C10097/01C		MATERIAL: SEE TABLE
UNLESS OTHERWISE SPECIFIED, DIMENSIONAL TOLERANCES ARE: IN (mm) .x ± .2 [5.08]      .xxx ± .03 [ .762 ] .xx ± .05 [1.27]      ANGLES ± 5 °		DRAWING NUMBER: C10097
THIRD ANGLE PROJECTION	DRAWN BY RVU	DATE 9/15/03
	CHK MSAD	SCALE FULL
		SHT 1 OF 1
		SIZE A

2

1