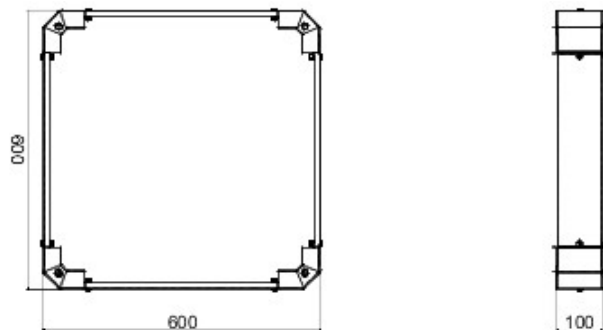




A complete system for the connection and distribution of LAN networks in the residential and tertiary sector. The range includes solutions for optical fibre, wall cabinets, floor-standing cabinets and products for copper wiring. The Data Center cabinets come with a wide choice of configurations and various depths (up to 1000mm) to meet every application need. Made of top quality materials (static full-load capacity up to 1000kg), these products guarantee easy wiring (thanks to the notable internal space) and can be completely customised with removable and reversible front doors.

Catégorie	Plinth for 19" floor-standing cabinets	Matière	Acier
Finition	Wrinkle	Couleur	Noir RAL 9005
For 19" rack cabinets	GW38451, GW38452, GW38453	Dim. externes LxHxP (mm)	600x100x600
Electrocod	3752		

DIMENSIONS



NORMES ET HOMOLOGATIONS



GEWISS S.A.S. 1, Rue du Rio Salado 91940
Les Ulis Cedex
Tel : +33 1 64 86 80 80

www.gewiss.com
www.gewiss@gewiss.fr
Dernière mise à jour 15/01/2020

Les caractéristiques, dimensions, dessins et images sont communiqués à titre purement informatif et peuvent faire l'objet de modification sans aucun préavis