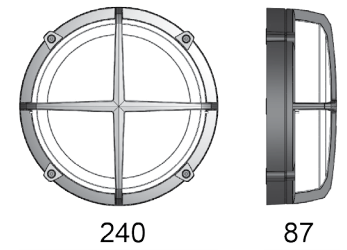
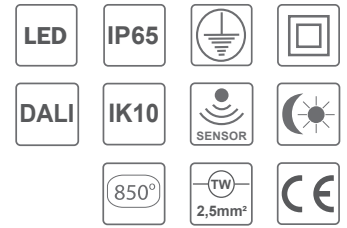
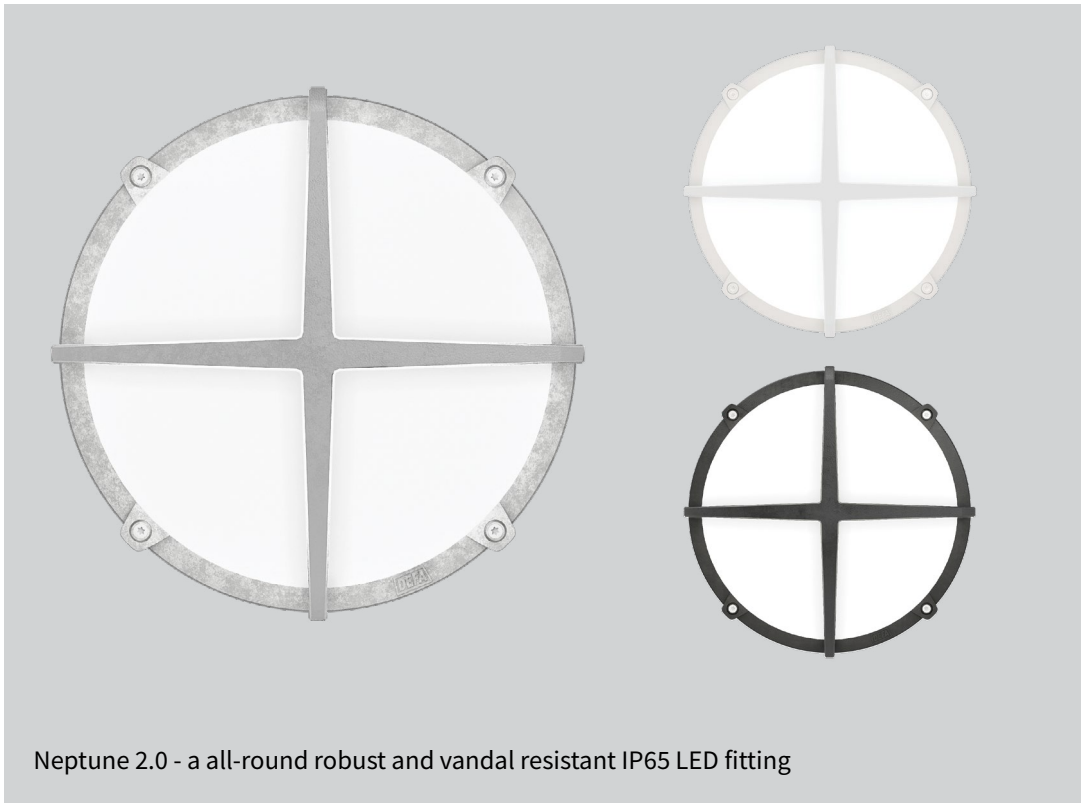


# Neptune<sub>2.0</sub> | Cross



Neptune 2.0 - a all-round robust and vandal resistant IP65 LED fitting

## Description

Neptune 2.0 - a vandal resistant quality fitting in a circular shape made of high pressure die-cast aluminium, powder painted, corrosion class C5. Diffuser in UV- and vandal resistant polycarbonate. The front ring is fixed with 4 torx screws in stainless steel which are given a Delta seal treatment. DC driver giving a flicker-free light. IP65, IK10, class II, Radar, Twilight and DALI versions class I.

## Application areas

P-house, facades, entrances, stairs, public conveniences, pedestrian areas and underpasses.

## Mounting

Direct in ceiling or on wall. Pole version, see Arc. The fitting has the same mounting dimension (screw holes) as previous version.

## Installation

The fitting is prepared for both open and hidden installation. Push in terminal block 3x2x2,5 mm<sup>2</sup>, DALI versions 5x2x2,5 mm<sup>2</sup>, all versions with through-wiring possibilities.

## LED module

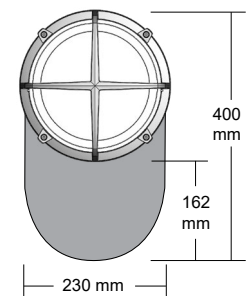
Colour temperature	3000K - 4000K
Effect fitting	8W
Colour index	RA >70
Colour tolerance	MacAdam 4
Lifetime	L80B50 62.000 h

## Sensor

The sensibility is adjusted on the microwave sensor. Likewise, the hold time (exposure time after detected movement) might be adjusted (5 sec - 25 min). The sensor has also a setting for a Twilight function (2 - 30 lux). The Radar version can also be used as Master for other fittings. When all fittings are LED versions Master-Master or Master-Slave-Master can also be used.

## Photo-cell

DIP switches on the Twilight Sensor makes it possible to set lux level according to the real application environment. Light keeps off if ambient daylight is sufficient (above the threshold preset). With insufficient natural light, light will automatically turn on.



House number plate



**NB!**  
A microwave sensor detects all forms of movement, not only from peoples and animals. This means that the sensor might detect movements for instance from branches or leaves. Please allow for this when installing the fitting to avoid unwanted functions.

DEFA no.	Product	Decor	Colour	Light source	lm fitting	lm/W	Control	Weight
122823	Neptune 2.0	Cross	White	8W 3000K	584	80		cl II 1,2 kg
122824	Neptune 2.0	Cross	Black	8W 3000K	584	80		cl II 1,2 kg
122825	Neptune 2.0	Cross	Alu	8W 3000K	502	70		cl II 1,2 kg
122832	Neptune 2.0	Cross	White	8W 4000K	621	85		cl II 1,2 kg
122833	Neptune 2.0	Cross	Black	8W 4000K	621	85		cl II 1,2 kg
122834	Neptune 2.0	Cross	Alu	8W 4000K	535	73		cl II 1,2 kg
122842	Neptune 2.0 Radar	Cross	White	8W 3000K	584	80	Sensor	cl I 1,3 kg
122841	Neptune 2.0 Radar	Cross	Black	8W 3000K	584	80	Sensor	cl I 1,3 kg
122843	Neptune 2.0 Radar	Cross	Alu	8W 3000K	502	70	Sensor	cl I 1,3 kg
122851	Neptune 2.0 Radar	Cross	White	8W 4000K	621	85	Sensor	cl I 1,3 kg
122850	Neptune 2.0 Radar	Cross	Black	8W 4000K	621	85	Sensor	cl I 1,3 kg
122852	Neptune 2.0 Radar	Cross	Alu	8W 4000K	535	73	Sensor	cl I 1,3 kg
122860	Neptune 2.0 Twilight	Cross	White	8W 3000K	584	80	Photo-cell	cl I 1,3 kg
122859	Neptune 2.0 Twilight	Cross	Black	8W 3000K	584	80	Photo-cell	cl I 1,3 kg
122861	Neptune 2.0 Twilight	Cross	Alu	8W 3000K	502	70	Photo-cell	cl I 1,3 kg
122869	Neptune 2.0 Twilight	Cross	White	8W 4000K	621	85	Photo-cell	cl I 1,3 kg
122868	Neptune 2.0 Twilight	Cross	Black	8W 4000K	621	85	Photo-cell	cl I 1,3 kg
122870	Neptune 2.0 Twilight	Cross	Alu	8W 4000K	535	73	Photo-cell	cl I 1,3 kg
122877	Neptune 2.0	Cross	White	8W 3000K	584	80	DALI	cl I 1,2 kg
122878	Neptune 2.0	Cross	Black	8W 3000K	584	80	DALI	cl I 1,2 kg
122879	Neptune 2.0	Cross	Alu	8W 3000K	502	70	DALI	cl I 1,2 kg
122886	Neptune 2.0	Cross	White	8W 4000K	621	85	DALI	cl I 1,2 kg
122887	Neptune 2.0	Cross	Black	8W 4000K	621	85	DALI	cl I 1,2 kg
122888	Neptune 2.0	Cross	Alu	8W 4000K	535	73	DALI	cl I 1,2 kg

Accessories:

105289	Number plate	White
111437	Number plate	Black

- DC Driver - flicker-free light
- IK 10 - vandal resistant
- Corrosion class C5 - very high corrosivity - for rough environments
- Low building height - many application areas both outdoor and indoor
- Easy mounting - same mounting dimension (screw holes) as previous version

