

PANDUIT P/N	WEIGHT
ED001	1.5kg

SPECIFICATION:

- | | |
|---|---|
| <p>1. STANDARD MEASURING RANGE:</p> <p>OPERATING RANGE:</p> <p>OPERATIONAL VOLTAGE:</p> <p>CURRENT DRAW:</p> <p>SENSOR HOUSING MATERIAL:</p> <p>SENSOR HOUSING COLOR:</p> <p>INTERFACE PLUG:</p> <p>INTERFACE PLUG HOUSING MATERIAL:</p> <p>INTERFACE PLUG HOUSING COLOR:</p> | <p>DETECTS LIQUIDS WITH A RESISTANCE OF <2MOHMS PER CM</p> <p>0-65°C, 10-90% RH NON-CONDENSING [32-149°F, 10-90% RH NON-CONDENSING]</p> <p>5 ±0.1 VOL TS DC</p> <p>30 mA MAX</p> <p>ABS, 10% GLASS-FILLED</p> <p>BLACK</p> <p>RJ45 COMPLIANT</p> <p>POLYCARBONATE</p> <p>TRANSPARENT</p> |
| <p>2. ADDITIONAL:</p> <p>NONE</p> | |
| <p>3. ACCESSORY COMPONENTS:</p> <p>CABLE TIES, QTY:(5)</p> <p>ADHESIVE BACKED MOUNT, QTY:(5)</p> <p>ADHESIVE BACKED WIRE MOUNT, QTY:(6)</p> <p>ROPE FLUID LEAK SENSOR EXTENSION, QTY:(1)</p> <p>INSTALLATION GUIDE, QTY:(1)</p> | |

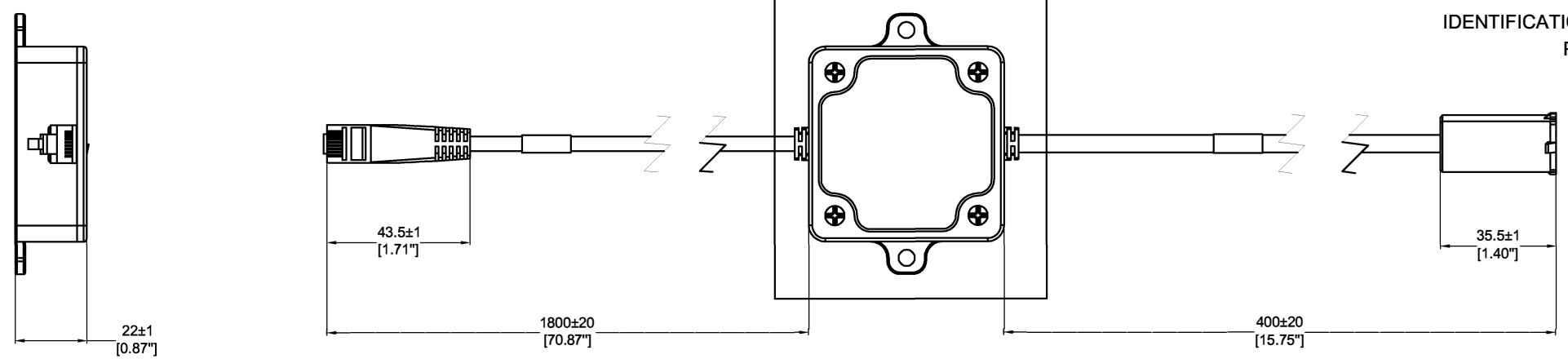
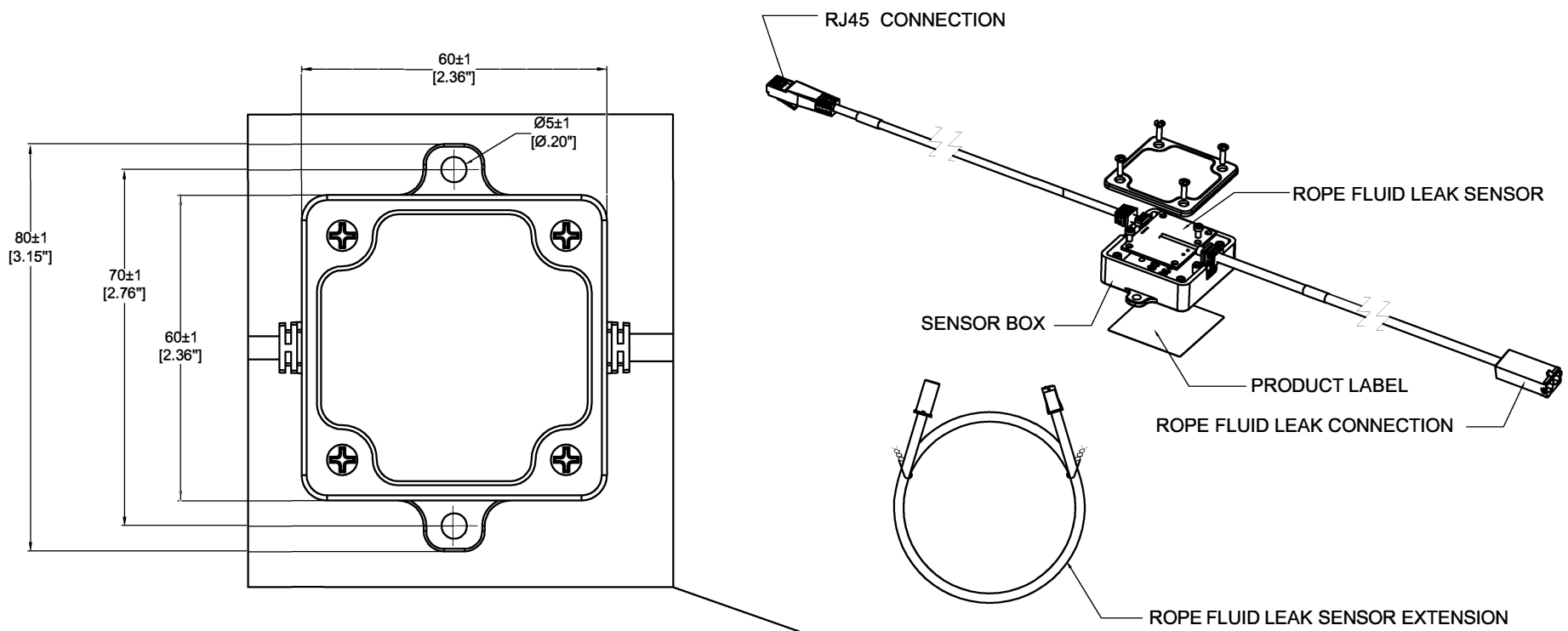
NOTES:

- PRIMARY DIMENSIONS ARE IN MILLIMETERS. SECONDARY DIMENSION ARE IN INCHES
- INSTALLATION SHALL COMPLY WITH ALL APPLICABLE NATIONAL, STATE, AND LOCAL CODES
- VISIT OUR ON-LINE CATALOG AT WWW.PANDUIT.COM FOR A CURRENT LIST OF PRODUCTS APPLICABLE FOR USE WITH THIS PART

IDENTIFICATION

PART NUMBER
ED001

DESCRIPTION
ROPE FLUID LEAK SENSOR KIT



WE ASK THAT YOU CHECK FULLY THE DIMENSIONS, NOTES, AND SIGN THE CLIENT SIGNATURE BOX. THE JOB WILL NOT PROGRESS WITHOUT SIGNED APPROVAL. PLEASE DO NOT DELAY IN RETURNING PROOF AS IT WILL AFFECT DELIVERY

SIGN _____
DATE _____
PRINT _____

TITLE: SMARTZONE G5 ROPE FLUID LEAK SENSOR KIT
CUSTOMER DRAWING

ITEM REVISION NAME:
DATASHEET FILE NAME:



UNLESS OTHERWISE SPECIFIED DIMENSIONAL TOLERANCE ARE: mm [IN]
Wire Harness Tolerance(mm)
THIRD ANGLE PROJECTION

MATERIAL/COLOR: N/A
DRAWING NUMBER: ED001_DC

00A	11/01/2017	Hanson	MM	DJB	INITIAL RELEASE	ED001
REV	DATE	BY	CHK	APR	DESCRIPTION	ECN

DRAWN BY: Hanson DATE: 11/01/2017 CHK: MM SCALE: NONE SHT 1 OF 1