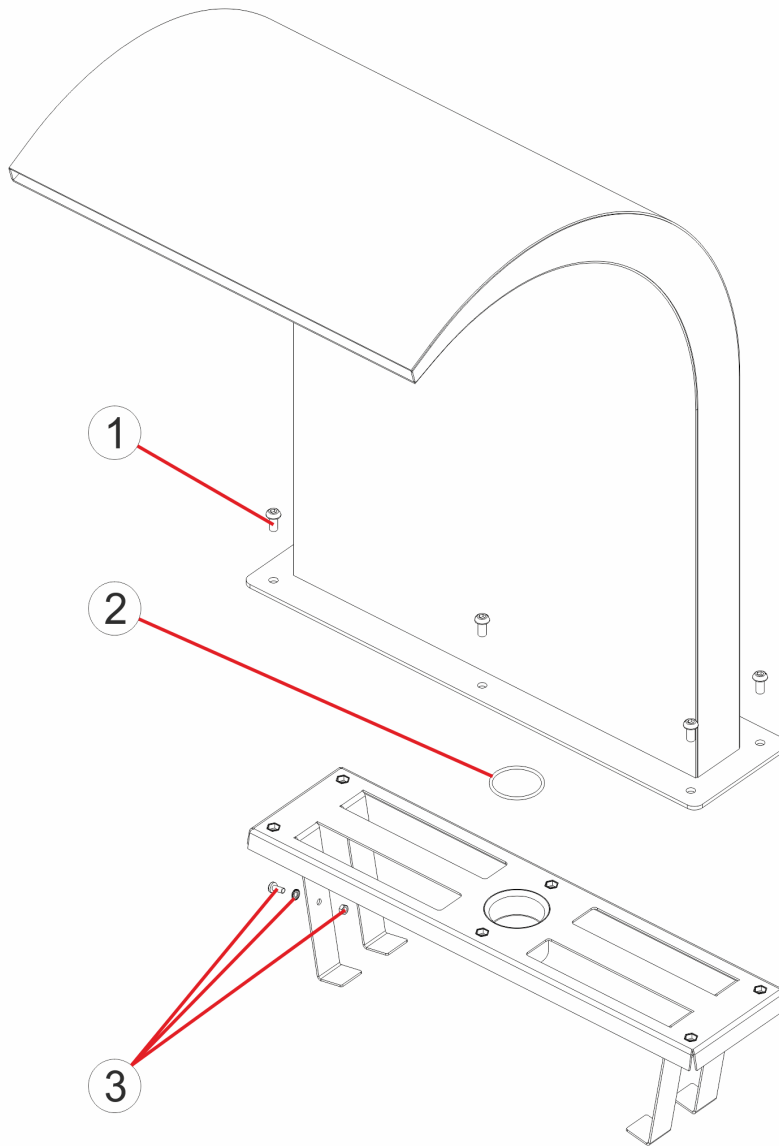


CODE **57097**

DESCRIPTION: **CASCADE ONE**



**FRANCAIS**

POS	CODE	DESCRIPTION	POS	CODE	DESCRIPTION
1	4401040265	VIS D'ANCRAGE	3	4402010056	PRISE DE TERRE
2	4401040000	JOINT TORIQUE			

CODE                    **57097**

DESCRIPTION: **CASCADE ONE**

## OBSERVATIONS

---

---