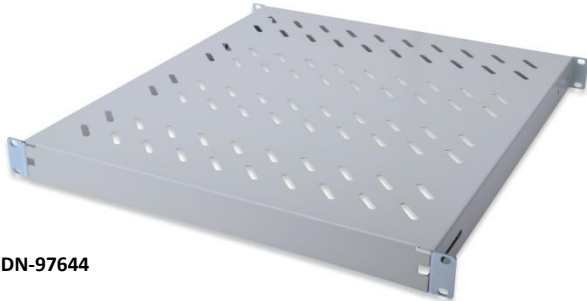


Shelves with Variable Rails for Fixed Mounting in 483 mm (19") Cabinets



DN-97644

✓ Easy installation

✓ sturdy perforated steel sheet

✓ mounting rails are variable in depth

✓ Available in color grey and black

Abstract

Shelves with variable rails for fixed mounting in 483 mm (19") cabinets with 600, 800 or 1000 mm depth, color grey (RAL 7035) or black (RAL 9005)

Features

- for fixed mounting on the four 483 mm (19") profile rails
- Height unit: 1U
- sturdy, perforated steel sheet
- Load capacity up to 50 kg
- Delivery inclusive fixing material
- Available in color grey (RAL 7035) and black (RAL 9005)

Product Overview

The shelves for fixed mounting can be installed easy on the four 483 mm (19") profile rails of your 483 mm (19") network- or server cabinet. Due to their stable, perforated steel sheet with a load capacity of 50 kg, they are the optimal surface for components which are not 483 mm (19") suitable. The front fixing rails can be adjusted by 50 mm if needed. The rear fixing rails can be adjusted in a certain area (please check the dimensions in the chart below).

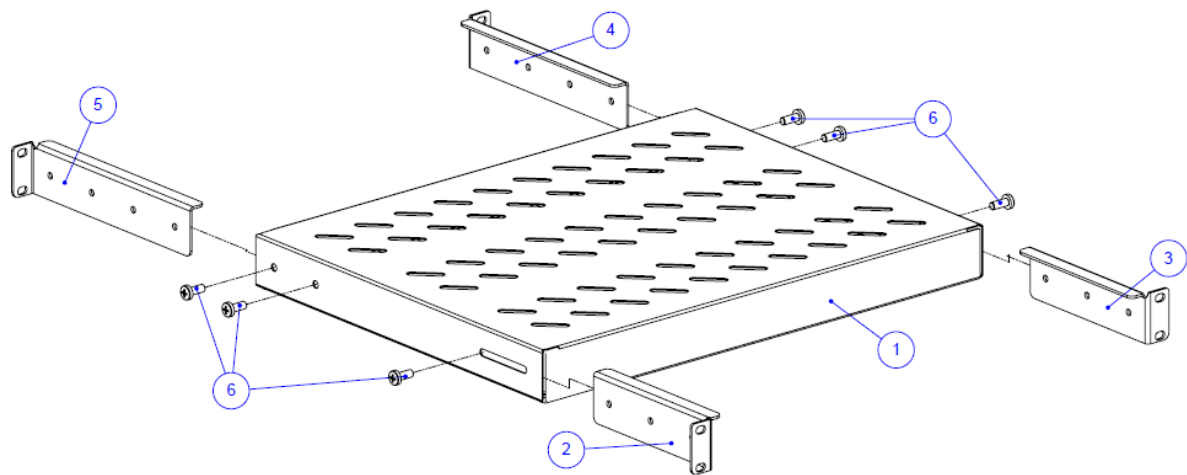
Product Number Information

Item code	Color	Suitable cabinet depth	Rail adjustment	Product dimensions (HxWxD) in mm
DN-97644	Grey (RAL 7035)	600 mm	350 - 500 mm	44x482x347 mm
DN-97645	Black (RAL 9005)			
DN-97646	Grey (RAL 7035)	800 mm	500 - 780 mm	44x482x500 mm
DN-97647	Black (RAL 9005)			
DN-97648	Grey (RAL 7035)	1000 mm	700 - 1180 mm	44x482x700 mm
DN-97649	Black (RAL 9005)			

Logistic Information

Item code	Net weight in kg	Gross weight in kg	Packaging dimensions (HxWxD) in mm
DN-97644	2.38 kg	2.65 kg	55x500x375 mm
DN-97645			
DN-97646	3.20 kg	3.57 kg	55x500x525 mm
DN-97647			
DN-97648	4.33 kg	4.80 kg	55x500x725 mm
DN-97649			

Delivery Content

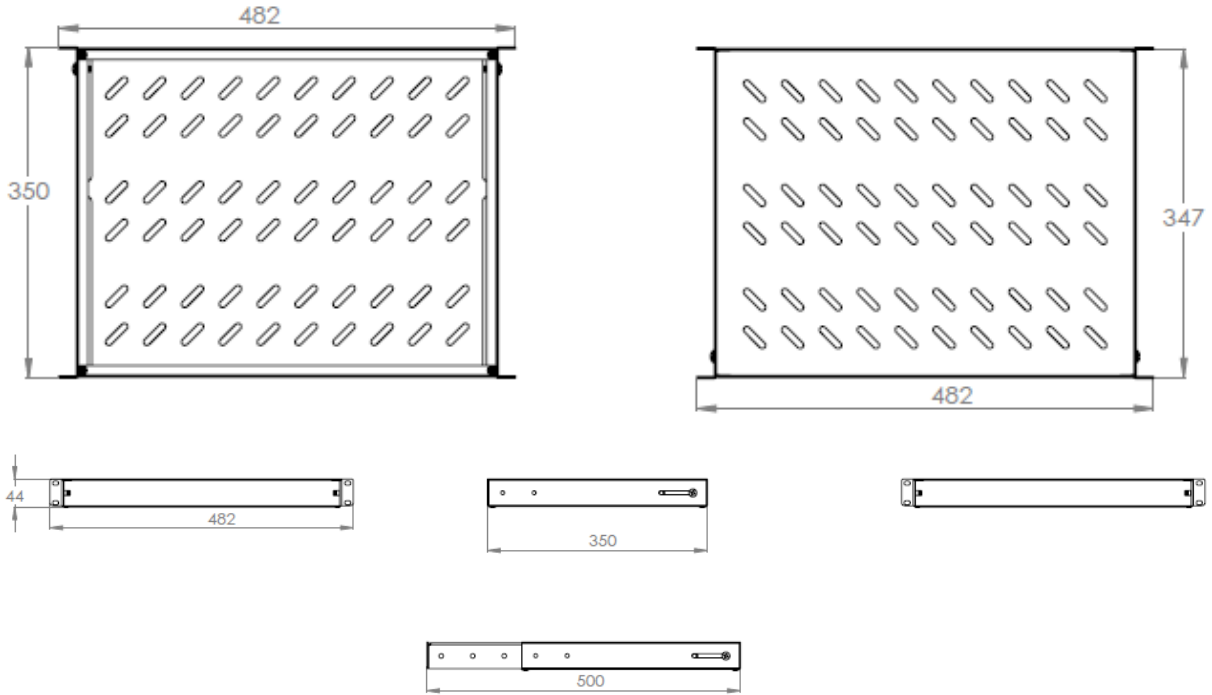


Nr.	Definition	Material strength	Properties	Quantity
1	Body	1.00 mm	DIN EN 10130 - 99 EREGLI DC01 6112 CRS	1 pcs.
2	Front rail (left)	2.00 mm	DIN EN 10130 - 99 EREGLI DC01 6112 CRS	1 pcs.
3	Front rail (right)	2.00 mm	DIN EN 10130 - 99 EREGLI DC01 6112 CRS	1 pcs.
4	Rear rail (left)	2.00 mm	DIN EN 10130 - 99 EREGLI DC01 6112 CRS	1 pcs.
5	Rear rail (right)	2.00 mm	DIN EN 10130 - 99 EREGLI DC01 6112 CRS	1 pcs.
6	M6X12 screw	-	M6X12 pan head screw DIN7500C	6 pcs.
7	Washer	-	Plastic washer	8 pcs.
8	M6 cage nut	-	Zinc coated	8 pcs.
9	M6X12 screw	-	M6X12 pan head screw DIN 967	8 pcs.

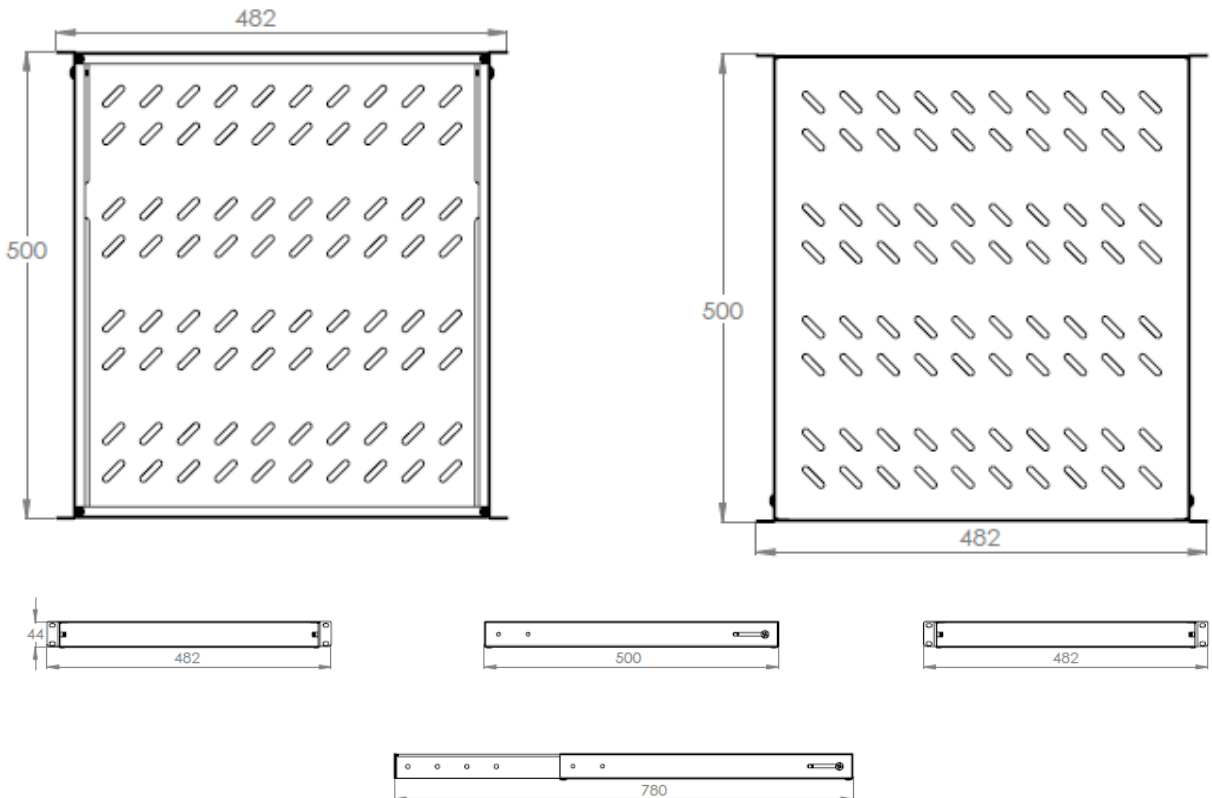
* #7-9 = fixing material in plastic bag

Technical Drawings

DN-97644 & DN-97645



DN-97646 & DN-97647



DN-97648 & DN-97649

