

1. VISIT OUR ON-LINE CATALOG AT WWW.PANDUIT.COM FOR A LIST OF CURRENT PARTS APPLICABLE FOR USE WITH THIS PRODUCT.
2. DIMENSIONS IN [] ARE METRIC.
3. ALL MATERIALS AND COMPONENTS USED MEET THE MATERIAL RESTRICTIONS OF RoHS (EUROPEAN DIRECTIVE 2011/65/EU ON THE RESTRICTION OF HAZARDOUS SUBSTANCES) AS PROPOSED BY THE RoHS TECHNICAL ADAPTATION COMMITTEE.
4. WEIGHT: SEE TABLE 1
5. PART INCLUDES:
 - 1- MANAGER
 - 1- COVER
 - 4- #12-24 SCREWS
6. CAN BE USED WITH ANY 19 INCH EIA STANDARD RACK
7. ALL DIMENSIONS ARE REFERENCE ONLY.

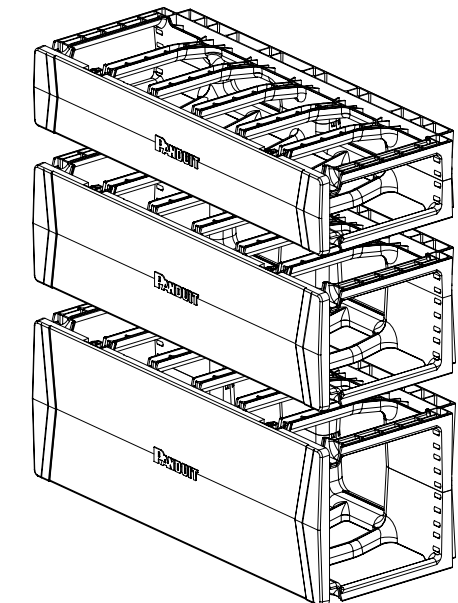
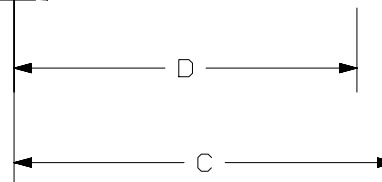
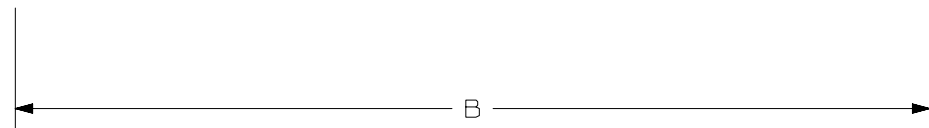
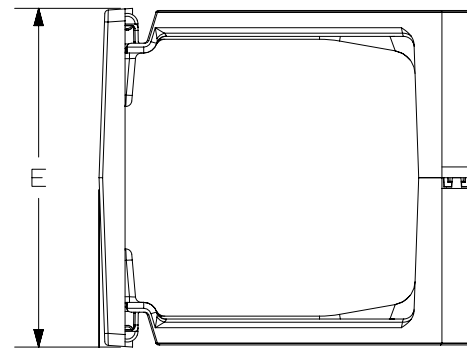
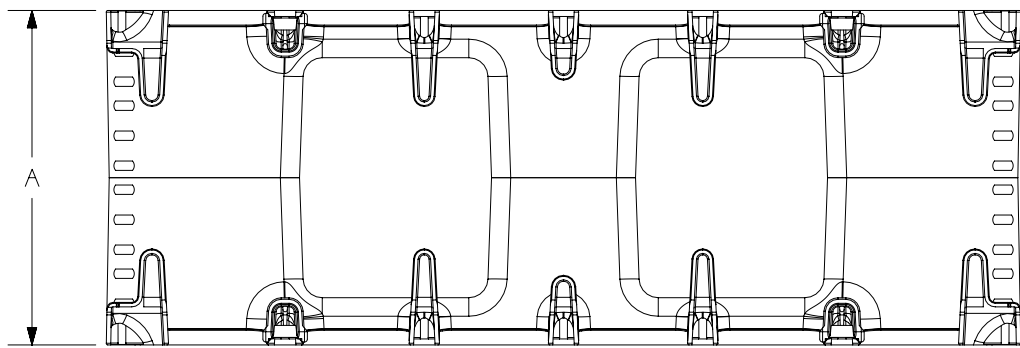
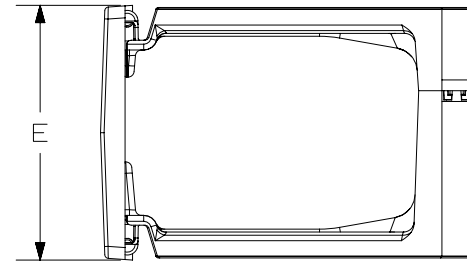
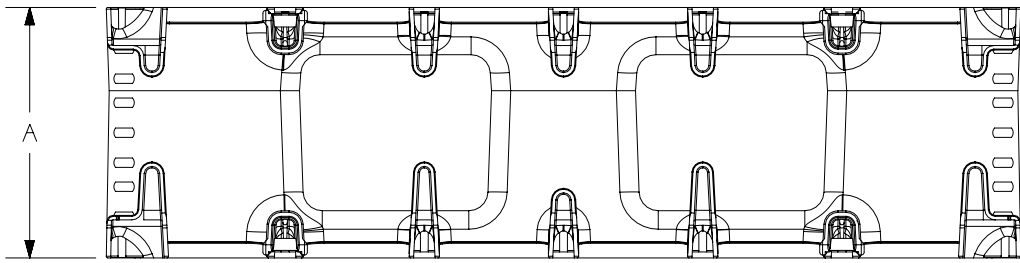
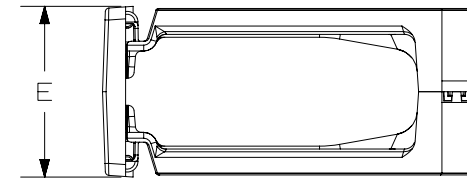
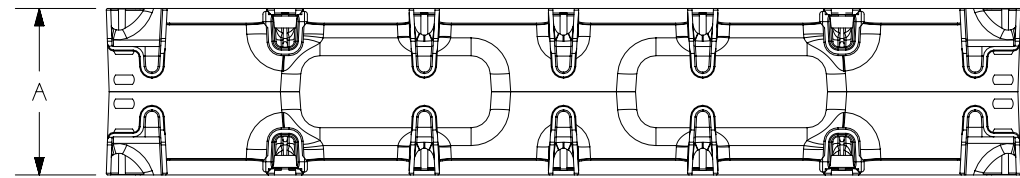


TABLE-1

| PANDUIT PART NO. | A=OVERALL HEIGHT | | B=OVERALL WIDTH | | C=OVERALL DEPTH | | D=MOUNTING DEPTH | | E=OVERALL COVER HEIGHT | | UNPACKED WEIGHT | | SHIPPING WEIGHT | |
|------------------|------------------|-------|-----------------|-------|-----------------|-------|------------------|-------|------------------------|-------|-----------------|---------|-----------------|---------|
| | INCH | MM | INCH | MM | INCH | MM | INCH | MM | INCH | MM | LBS EACH | KG EACH | LBS EACH | KG EACH |
| PR2HF2** | 3.47 | 88.1 | 19.05 | 483.9 | 7.94 | 201.7 | 7.14 | 181.4 | 3.56 | 90.3 | 1.6 | 0.7 | 2.2 | 1.0 |
| PR2HF3** | 5.22 | 132.6 | | | | | | | 5.41 | 134.8 | 2.2 | 1.0 | 2.8 | 1.3 |
| PR2HF4** | 6.97 | 177.0 | | | | | | | 7.06 | 179.2 | 2.6 | 1.2 | 3.2 | 1.5 |

**DENOTES COLOR
NONE=BLACK
WH=WHITE

| | | | | | |
|--|--|------------------------------------|--|-----|--|
| PART NUMBER | | SEE TABLE-1 | | | |
| TITLE | | | | | |
| PATCHRUNNER 2 HORIZONTAL CABLE MANAGER | | | | | |
| CUSTOMER DRAWING | | | | | |
| ITEM REVISION NAME | | 00224EAE/00 | | | |
| DATASET FILE NAME | | 00224EAE_DC/00A | | | |
| MATERIAL | | ABS, NEODYMIUM MAGNETS, STEEL PINS | | | |
| DRAWN BY | | DATE | | CHK | |
| BJN | | 12-10-19 | | JCO | |
| SCALE | | NONE | | | |
| DRAWING NUMBER | | 00224EAE-DC | | | |
| SHEET 1 OF 1 | | SIZE B | | | |

| | | | | | | |
|-----|--------|-----|-----|-----|------------------------|-------------|
| 00A | 1-8-20 | BJN | JCO | JFK | RELEASED TO PRODUCTION | 00224EAE-DC |
| REV | DATE | BY | CHK | APR | DESCRIPTION | ECN |