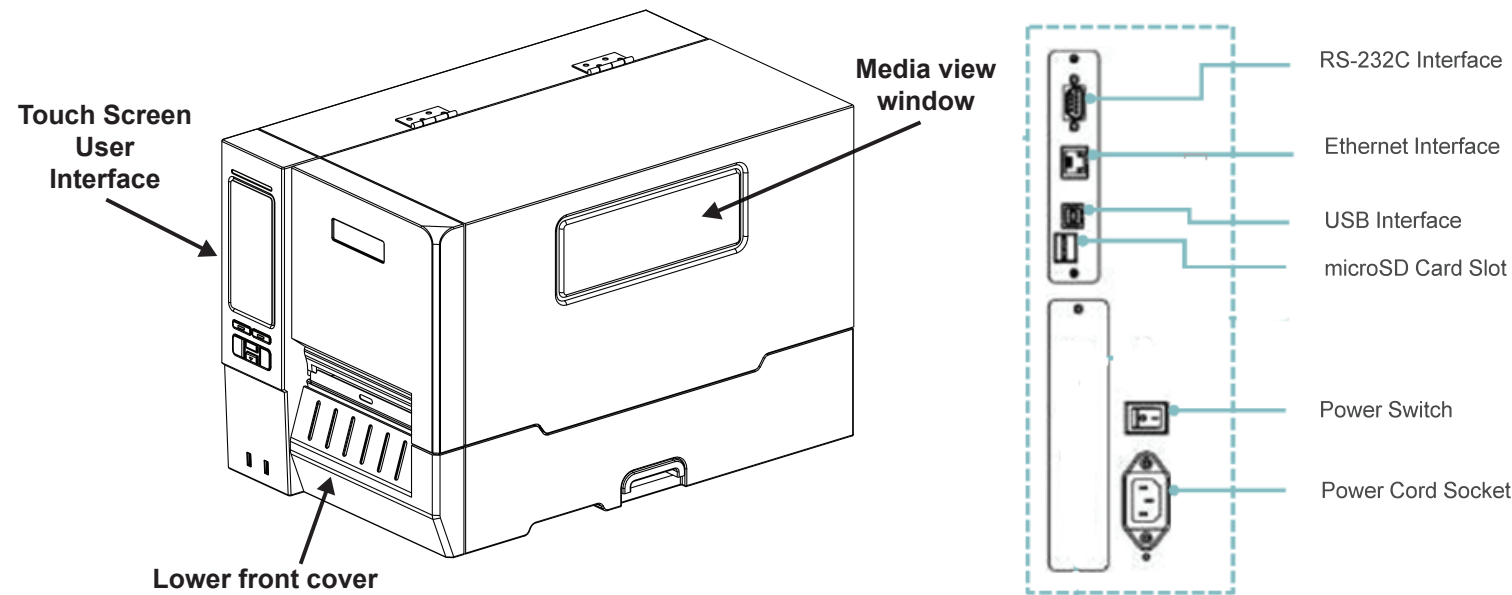
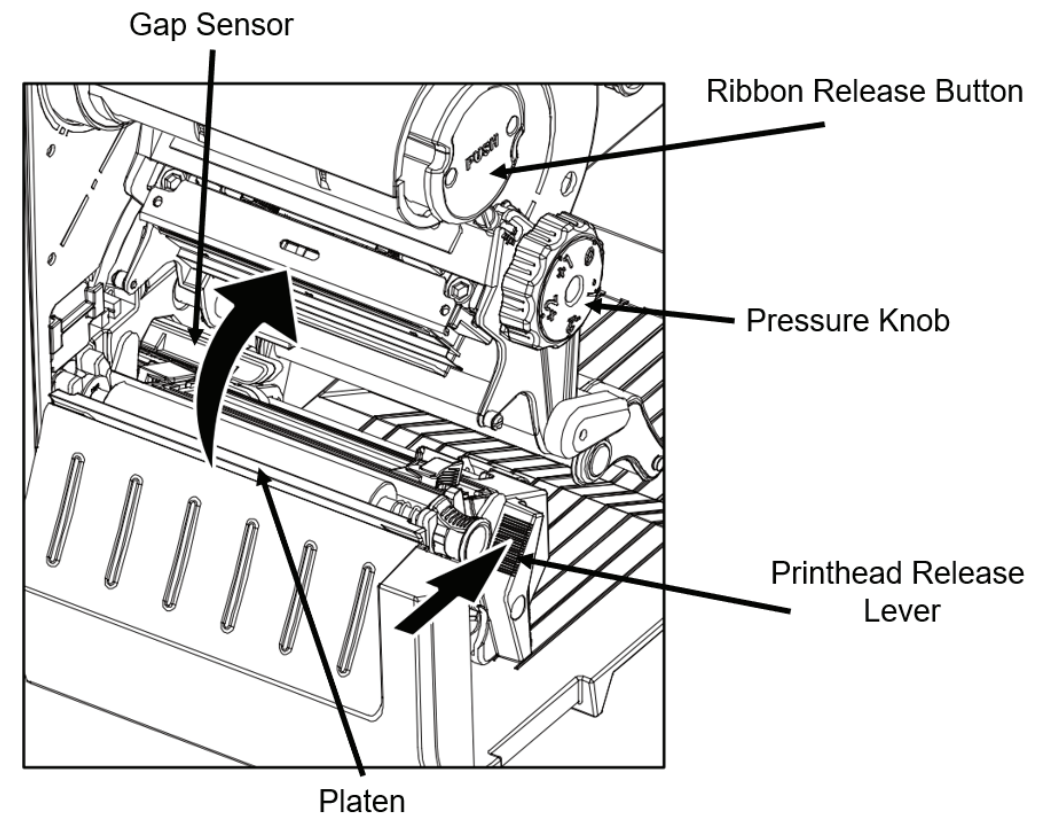
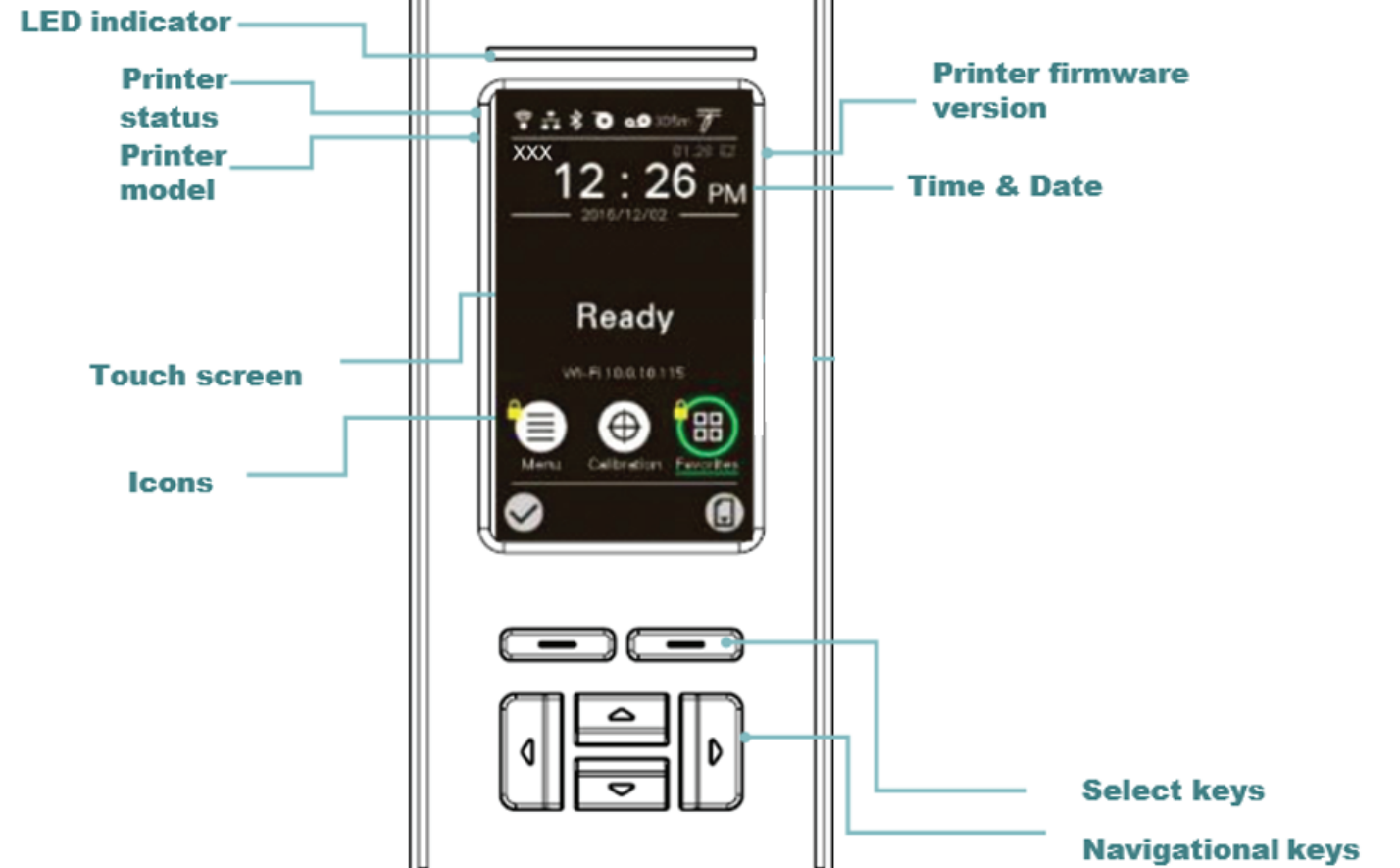
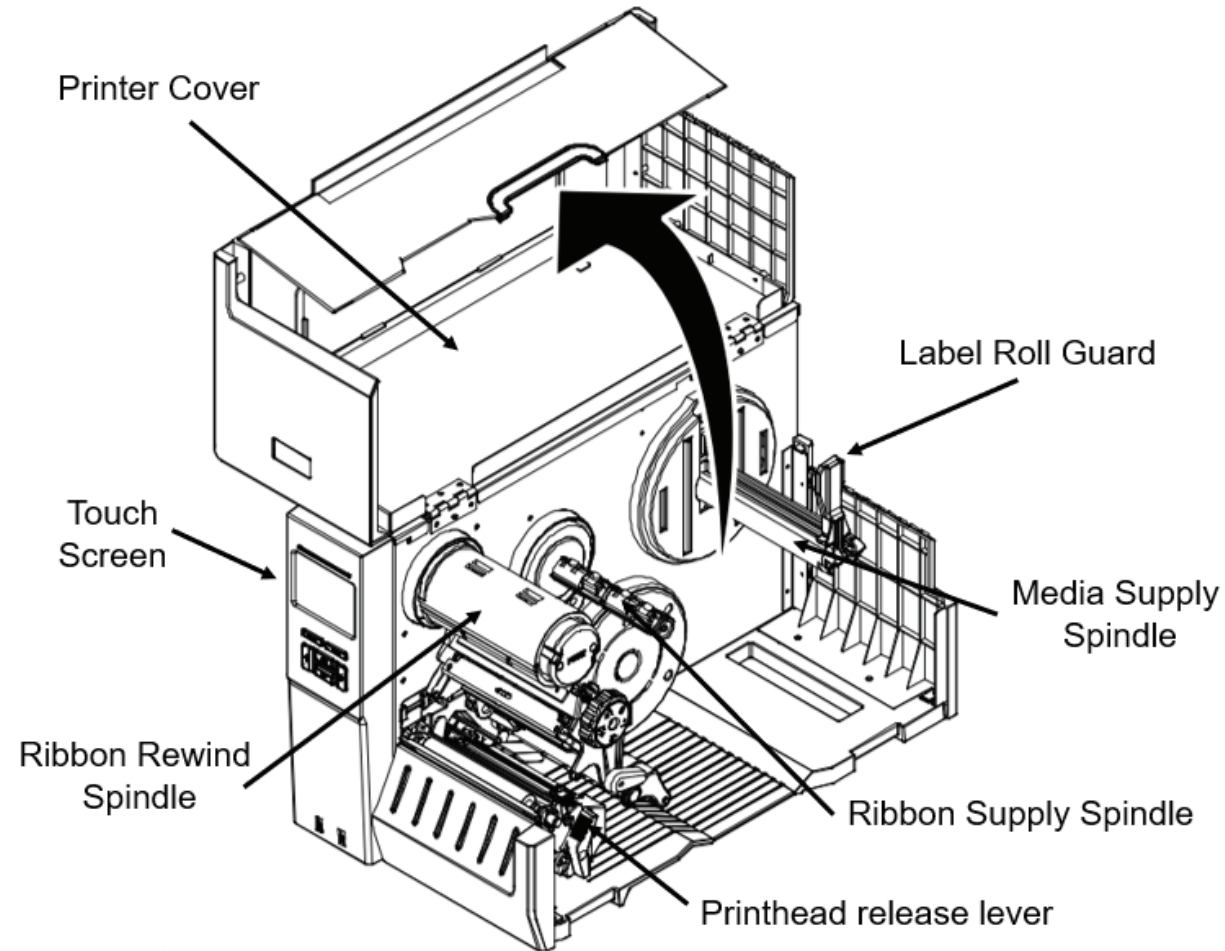


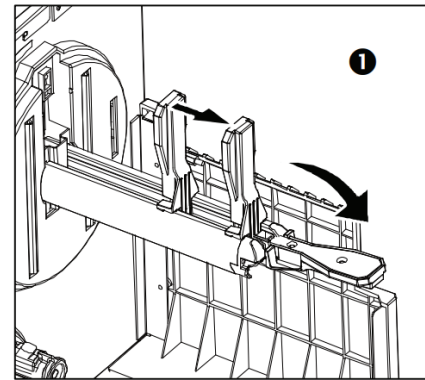
Printer Overview



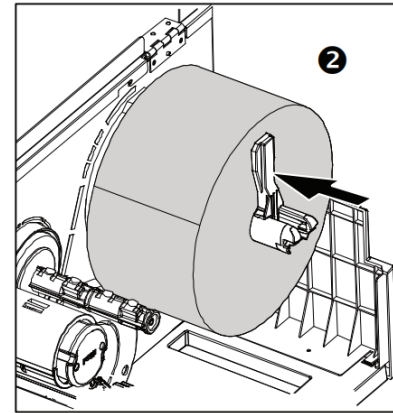
Note: This printer is configured for USB "Plug and Play" installation. For detailed instructions on other installation methods, please review the enclosed User Manual.



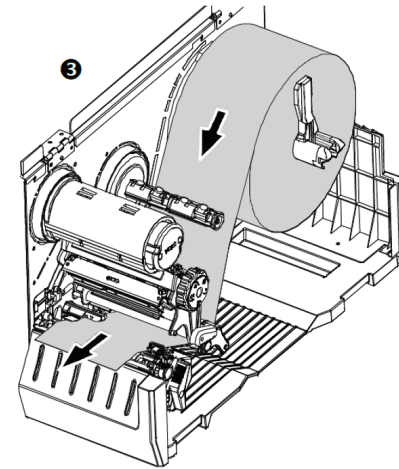
Loading the Media



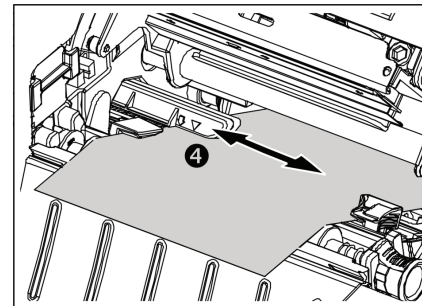
(1) Move the label roll guard horizontally to the end of label spindle then flip down the label roll guard.



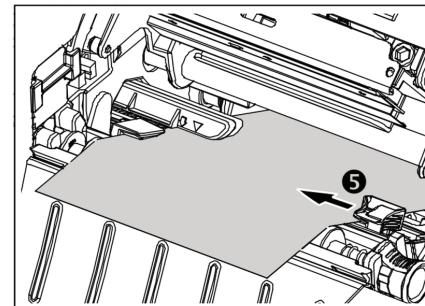
(2) Place the roll of media on the label supply spindle. Flip up the label roll guard. Move the label roll guard horizontally to gently fit the width of label roll.



(3) Pull label roll leading edge forward through the media guide bar, damper, media sensor and place the label leading edge onto the platen roller.



(4) Adjust the gap sensor and place arrows over media gaps.



(5) Slide the media lock to the edge of the media being used.

Note: Re-calibrate the gap sensors when changing media. The sensor location is marked by a triangle mark \triangle at the sensor housing. Please make sure the gap is at the location where media gap will pass through for sensing.

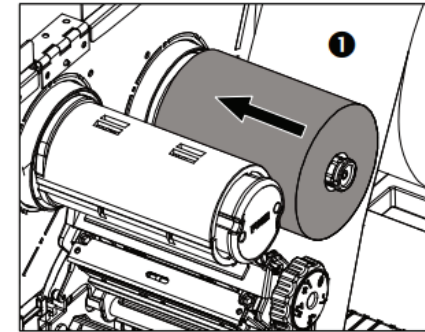
Media Sensor Calibration

This utility is used to calibrate the sensitivity of the media sensor. The media sensor should be calibrated whenever changing the label media or after printer initialization. Please follow the steps below to calibrate the media sensor.

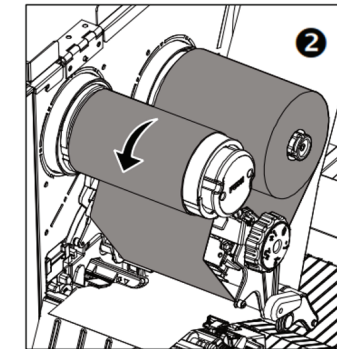
1. Make sure the ribbon and label media are installed properly as stated in previous sections of this document.
2. Select the Calibration button on the bottom right hand section of the touch screen.
3. Select the type of media calibration to be performed.
4. Select OK

* For more information and features about this printer, please refer to the User's Manual inside the CD disk

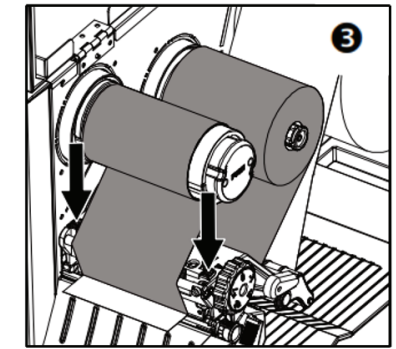
Loading the Ribbon



(1) Open the printer right side cover. Slide the ribbon onto the ribbon supply spindle.

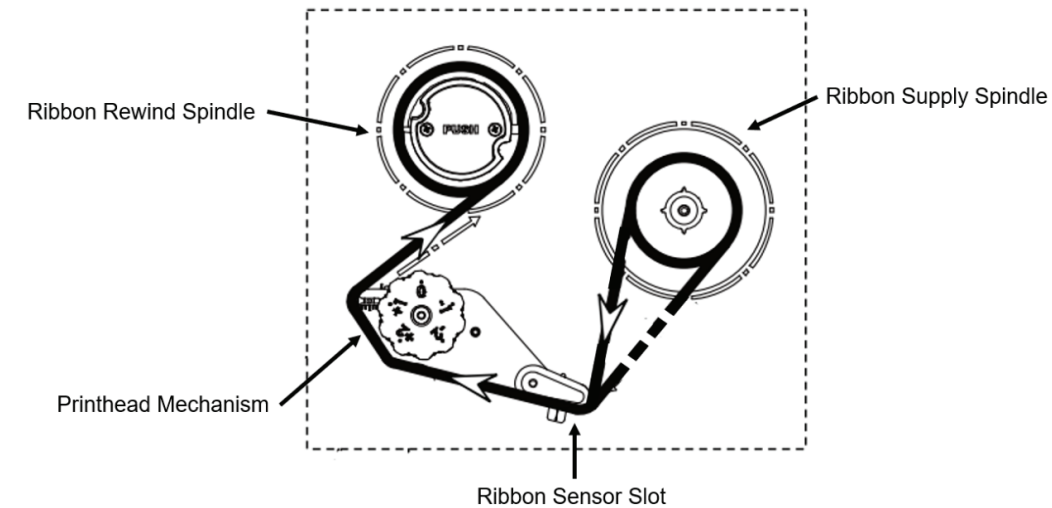


(2) Thread the ribbon through the ribbon sensor slot and then through the open space in between print head and platen. Wrap the ribbon onto the ribbon rewind spindle counter clockwise about 3 to 5 circles until smooth.



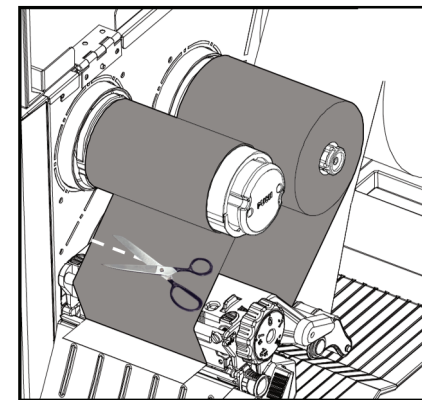
(3) Close the print head mechanism. Push down until you hear a "click" and the print head is engaged.

Loading Path For Ribbon

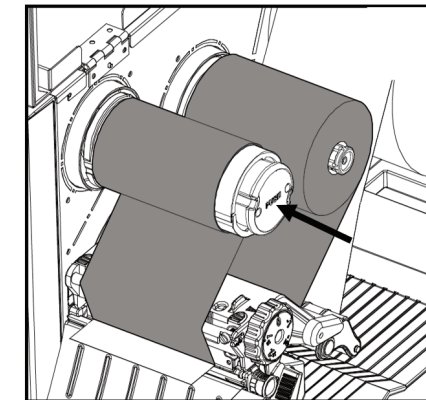


Please note: Panduit ribbon part numbers beginning with RHE must be installed using the inward direction.

Remove Used Ribbon



(1) Break the ribbon between ribbon guide plate and the ribbon rewind spindle.



(2) Push the ribbon release button to release the ribbon on the ribbon rewind spindle and remove ribbon.