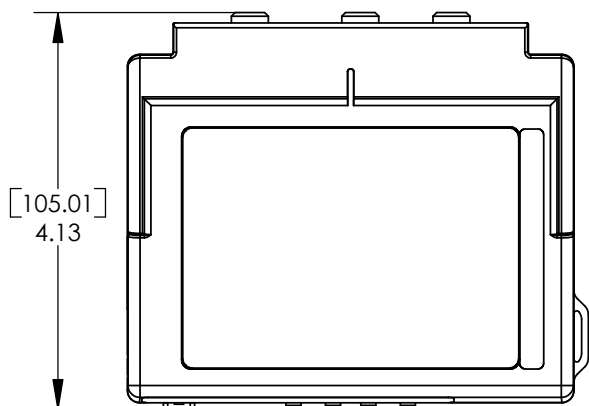
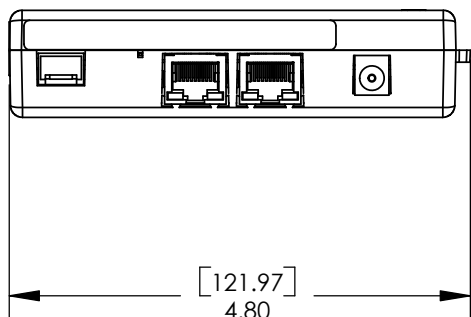


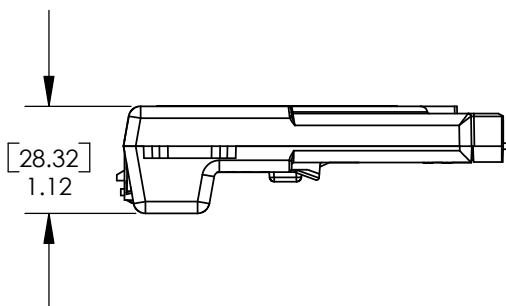
PANDUIT P/N	WEIGHT
PVQ-PM	1.5 LBS EA. 680g EA.



[105.01]
4.13



[121.97]
4.80



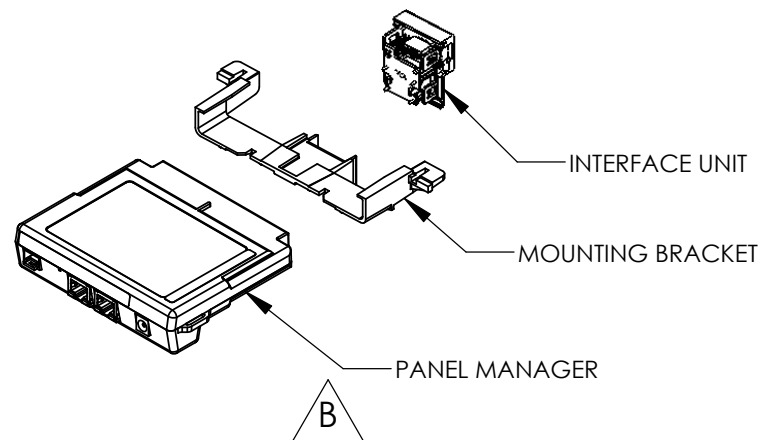
[28.32]
1.12

NOTES:

1. DIMENSIONS IN BRACKETS ARE IN METRIC.

2. PART INCLUDES:

- (1) PANVIEW IQ PANEL MANAGER
- (1) PANVIEW IQ PANEL MANAGER INTERFACE UNIT
- (1) PANVIEW IQ MOUNTING BRACKET
- (1) PANVIEW IQ ETHERNET PATCH CORD
- (1) INSTRUCTION SHEET.



INTERFACE UNIT

MOUNTING BRACKET

PANEL MANAGER



MODEL FILENAME m02676ac_pmm_02.s1dprt	SIZE A
DRAWING FILENAME m02676ac_dc102_01a.s1ddrw	

**PANVIEW IQ PANEL MANAGER
CUSTOMER DRAWING**

	PANDUIT TM CORP. TINLEY PARK, ILL 60477	I.L. NUMBER N/A
		PRODUCT SPEC/ PKG SPEC N/A

	ALL DIMENSIONS ARE GIVEN IN INCHES, UNLESS OTHERWISE SPECIFIED.	ASSEMBLY METHOD/ TEST METHOD N/A
	DIMENSIONAL TOLERANCES ARE: (.X) ±.03 (.XXX) ±.005 (.XX) ±.01 ANGLES ±1°	SCALE NONE

DRAWN BY TCW	REVIEW DRAWING NUMBERS	PART NO. PVQ-PM
DATE 2/26/08	MAT'L: SEE NOTES ABOVE	DRAWING NO. 02676-102 Sheet 1 of 1
CHK'D DCK		

REV.	DATE	BY	CHK D	DESCRIPTION	ECN	ECN REV	CUST	SUP	GM BH
1	1/5/09	ALP	MJD	A. ADDED NEW CABLE TIE FEATURE TO OVERALL DIMENSION; B. ADDED ISO VIEW OF PARTS IN PVQ-PM KIT	02676-102	MJD	MJD		
R	2/26/08	TCW	DCK	RELEASE TO PRODUCTION	02676-102				