



Signal beacons
Ø62mm/2.44"
8LB6S

Product designation

Product type designation

General characteristics

| | | |
|-------------------------------|-----------|-----------|
| Diameter | mm - inch | 62 / 2.44 |
| Supply voltage (AC) | V | 24 |
| Supply voltage (DC) | V | 24 |
| Colour | | Red |
| IEC degree of protection | | IP54 |
| Sound module consumption (AC) | mA | 150 |
| Sound module consumption (DC) | mA | 150 |
| Sound intensity | dB | 80 |

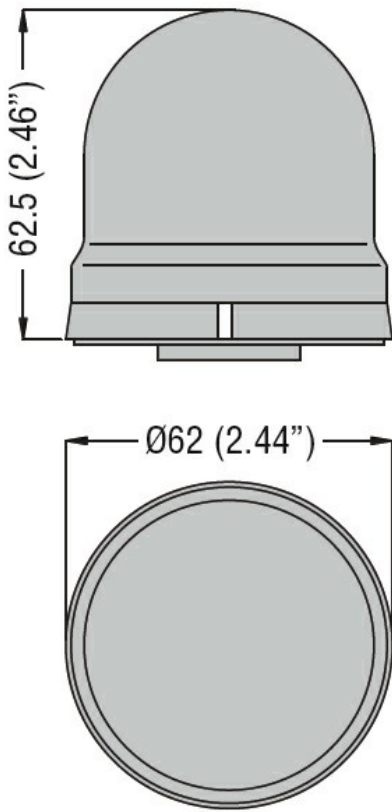
Mechanical features

| | | |
|-------------------------------------|-----|-----------------------|
| Tightening torque for terminals max | Nm | 0.5 |
| Terminals screw | | Screw clamp terminals |
| Conductor section | | |
| AWG/Kcmil | max | 16 |
| IEC | max | mm ² 1.5 |
| Weight | g | 60 |

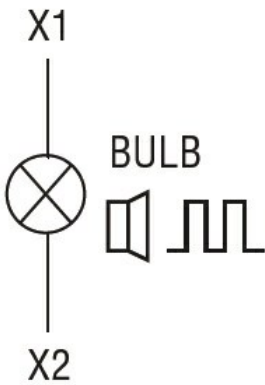
Ambient conditions

| | | | |
|-----------------------|-----|----|-----|
| Temperature | | | |
| Operating temperature | min | °C | -20 |
| | max | °C | +50 |

Dimensions



Wiring diagrams



Certifications and compliance

Compliance

IEC/EN 60947-1
 IEC/EN 60947-5-1

Certificates

EAC

ETIM classification

ETIM 8.0

EC000232 -
 Optical module
 for signal tower