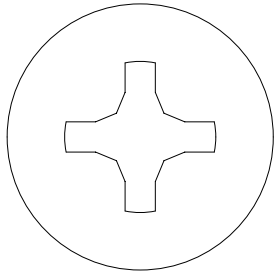
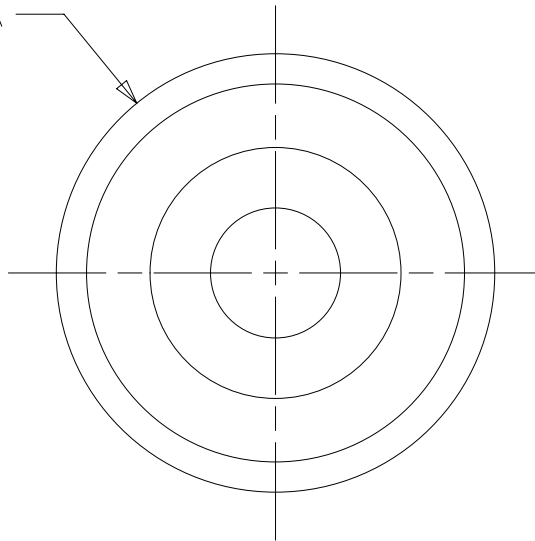


THIS COPY IS PROVIDED ON A RESTRICTED BASIS AND IS NOT TO BE USED IN ANY WAY DETRIMENTAL TO THE INTERESTS OF PANDUIT CORP.



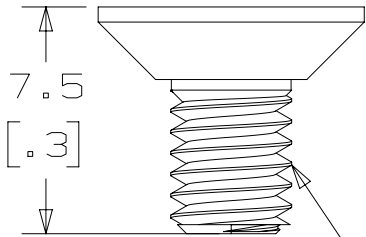
14.5 DIA
[.57]



PANDUIT P/N	WEIGHT
MA018	.05 kg (.120 lbs)

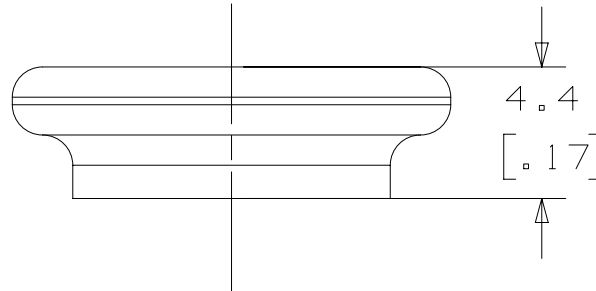
NOTES:

- VISIT OUR ON-LINE CATALOG AT WWW.PANDUIT.COM FOR A LIST OF CURRENT PARTS APPLICABLE FOR USE WITH THIS PRODUCT.
- PRIMARY DIMENSIONS ARE IN MILLIMETERS (mm). SECONDARY DIMENSIONS ARE IN INCHES (IN).
- PARTS SUPPLIED:
 (20)- SMALL DIAMETER MOUNTING BUTTONS
 (20)- M4X0.5 X 7.5 FINE PITCH THREAD COUNTERSINK SCREWS
 (1)- INSTALLATION INSTRUCTION



7.5
[.3]

M4X0.5



4.4
[.17]

REV	DATE	BY	CHK	APR	DESCRIPTION	ECN
00A	01/25/2019	PJST	MIM	JAWI	RELEASED TO PRODUCTION	AA0339AP

TITLE SMALL DIAMETER BUTTON MOUNTING KIT		CUSTOMER DRAWING	
ITEM REVISION NAME AA0339AP/00		PANDUIT	
DATASET FILE NAME AA0339AP_DC/00A			
MATERIAL: N/A		DRAWING NUMBER: AA0339AP_DC	
THIRD ANGLE PROJECTION			
DRAWN BY PJST	DATE 01/25/2019	CHK MIM	SCALE 1:1
SHT 1 OF 1		SIZE A	

D110100DA/16