

Part number  
**CHV 10**



Hood, C-TYPE series, with 4 pegs, Pg16 top cable entry, size "57.27"

<b>Product description</b>		<b>Material properties</b>	
<b>Product type</b>	Hood	<b>Colour</b>	RAL 7040 grey
<b>Series</b>	C-TYPE	<b>RoHs conformity</b>	Compliant
<b>Closing type</b>	With 4 pegs	<b>China RoHs - EFUP</b>	E
<b>Size</b>	Size 57.27	<b>REACH SVHC substances</b>	No
<b>Cable entry</b>	Top cable entry Pg16	<b>Approvals / Standards</b>	
<b>Technical data</b>		<b>Certifications</b>	DNV, BV
<b>IP degree of protection</b>	IP65 / IP66 / IP69	<b>UL</b>	ECBT2
<b>Further technical details</b>		<b>cUL</b>	ECBT8
<b>Weight</b>	114,00 g	<b>General ordering information</b>	
<b>Operating temperature range (min, max)</b>	-40°C...+125°C	<b>EAN13 code</b>	8015747024273
		<b>Packaging Information</b>	
		<b>Packaging length</b>	160,00 mm
		<b>Packaging height</b>	130,00 mm
		<b>Packaging width</b>	270,00 mm
		<b>Packaging weight</b>	2,43 kg
		<b>Packaging volume</b>	5,62 dm <sup>3</sup>
		<b>Packaging description</b>	Carton box
		<b>Packaging quantity</b>	20 Pcs
		<b>Packaging EAN code</b>	8015747024280
		<b>Sub-packaging weight</b>	0,61 kg
		<b>Sub-packaging description</b>	Plastic packaging
		<b>Sub-packaging quantity</b>	5 Pcs
		<b>Sub-packaging EAN barcode</b>	8015747024297

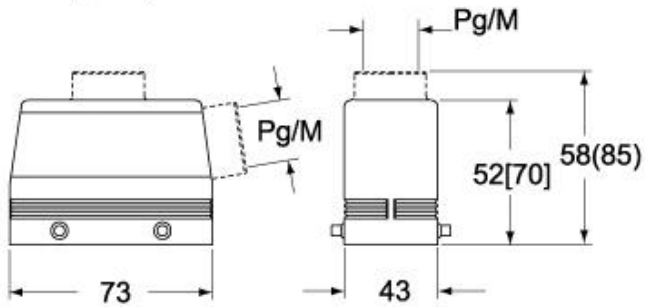
Part number

# CHV 10

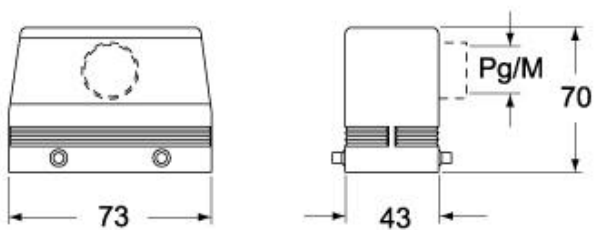


## Catalogue drawings

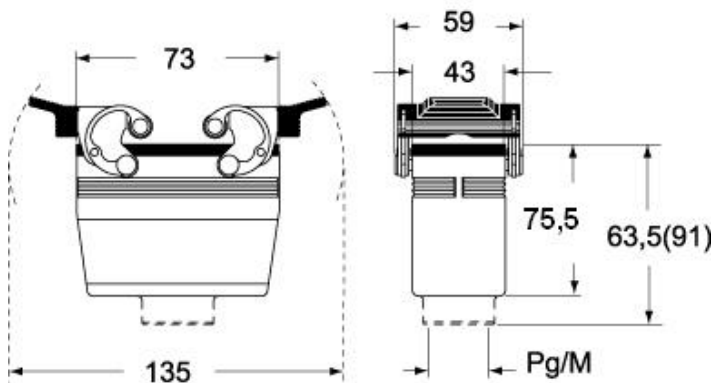
**CHO [CAO] CHV (CAV) - MHO [MAO]  
MHV (MAV)**



**CAF - MAF/MFF**



**CHV G (CAV G) - MHV G (MAV G) - [MFV G]**



## Notes

Dimensions shown in mm are not binding and may be changed without notice.