

Part number

MKAG VA20



Hood, CKA series, with 2 pegs, M20 side cable entry, size "21.21", with gasket

| Product description | | Material properties | |
|---|-------------------------|----------------------------------|----------------------|
| Product type | Hood | Main material | Zinc die-cast |
| Series | CKA | Other materials | Gasket: TPE |
| Closing type | With 2 pegs | Colour | RAL 7040 grey |
| Size | Size "21.21" | RoHs conformity | Compliant |
| Cable entry | Side cable entry M20 | China RoHs - EFUP | E |
| Specification | With gasket | REACH SVHC substances | No |
| Technical data | | Approvals / Standards | |
| IP degree of protection | IP65 | UL | ECBT2 |
| Further technical details | | cUL | ECBT8 |
| Further technical details | | General ordering information | |
| Weight | 59,00 g | EAN13 code | 8015747125260 |
| Operating temperature range (min, max) | -40°C...+125°C | eCl@ss 8.1 | 27440202 |
| | | ETIM 7.0 | EC000437 |
| | | Packaging Information | |
| | | Packaging weight | 6,28 kg |
| | | Packaging description | Carton box |
| | | Packaging quantity | 100 Pcs |
| | | Packaging EAN code | 8015747300278 |
| | | Sub-packaging length | 185,00 mm |
| | | Sub-packaging height | 40,00 mm |
| | | Sub-packaging width | 155,00 mm |
| | | Sub-packaging weight | 0,63 kg |
| | | Sub-packaging volume | 1,15 dm ³ |
| | | Sub-packaging description | Carton box |
| | | Sub-packaging quantity | 10 Pcs |
| | | Sub-packaging EAN barcode | 8015747125314 |

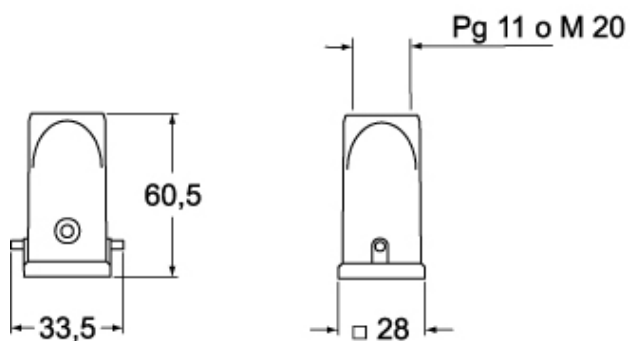
Part number

MKAG VA20

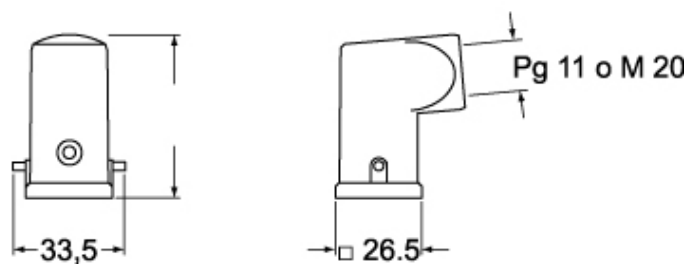


Catalogue drawings

CKAG V MKAG V



CKAG VA MKAG VA



Notes

Dimensions shown in mm are not binding and may be changed without notice.
