

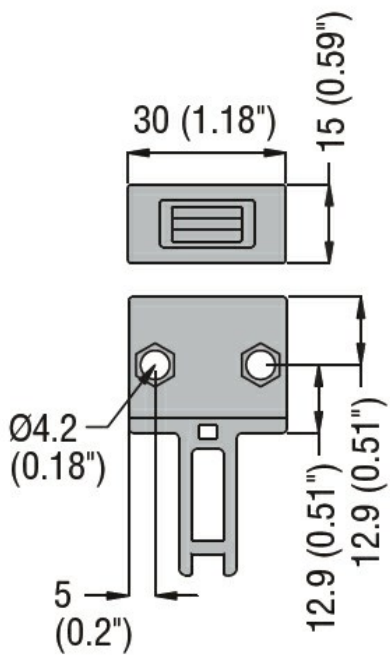


General characteristics

Key shape

Toggle

Dimensions



Certifications and compliance

Compliance

CSA C22.2 n° 14  
 EN 50047  
 IEC/EN 60204-1  
 IEC/EN 60947-1  
 IEC/EN 60947-5-1  
 UL508

Certificates

cULus  
 EAC

ETIM classification

ETIM 8.0

EC002498 -  
 Accessories/spare  
 parts for low-  
 voltage switch  
 technology