



Product designation Reversing contactor  
Product type designation BGTP09

**Electrical features**

Maximum operating current ( $\leq 440V$ ) A 9

**Contact characteristics**

Operational current Ie AC-3 ( $\leq 440V \leq 55^\circ C$ ) A 9

| Rated operational power AC-3 ( $T \leq 55^\circ C$ ) | Voltage | Power (kW) | Current (A) |
|--|---------|------------|-------------|
|  | 230V    | 2.2        | 9           |
|  | 400V    | 4          | 9           |
|  | 415V    | 4.3        | 9           |
|  | 440V    | 4.5        | 9           |
|  | 500V    | 5          | 9           |

| Built-in auxiliary contacts | Type | Quantity |
|-----------------------------|------|----------|
|                             | NO   | 0        |
|                             | NC   | 1        |

**UL technical data**

| Maximum UL/CSA horsepower ratings single-phase | Voltage   | HP  |
|--|-----------|-----|
|  | 110V-120V | 0.5 |
|  | 220V-240V | 1.5 |

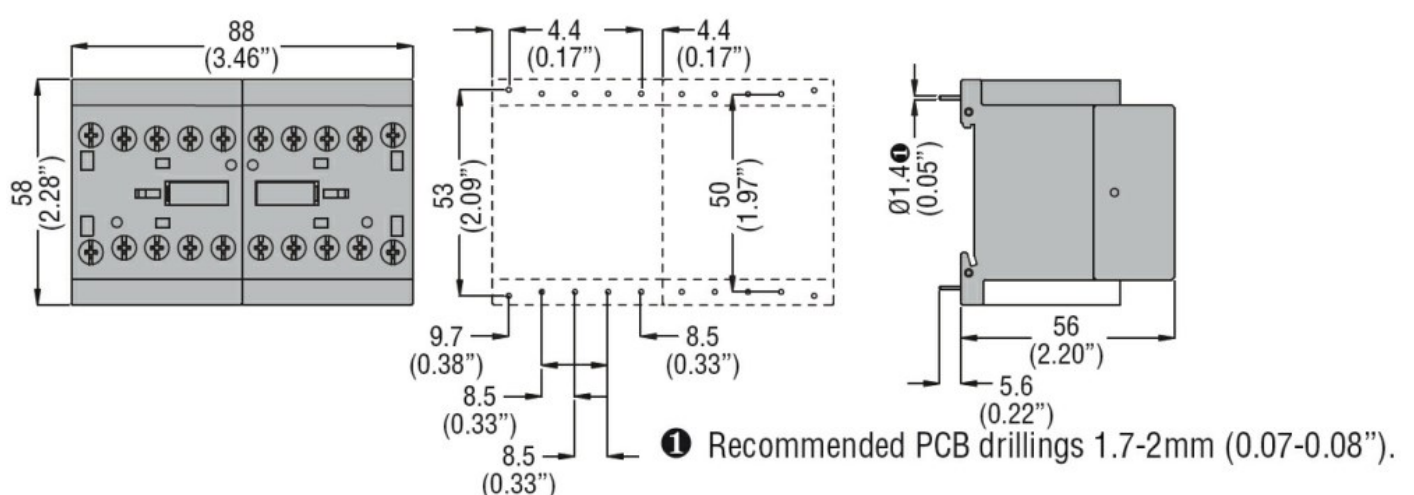
| Maximum UL/CSA horsepower ratings three-phase, 3-pole | Voltage   | HP |
|---|-----------|----|
|   | 200V-208V | 2  |
|   | 220V-240V | 3  |
|   | 440V-480V | 5  |

**Mechanical features**

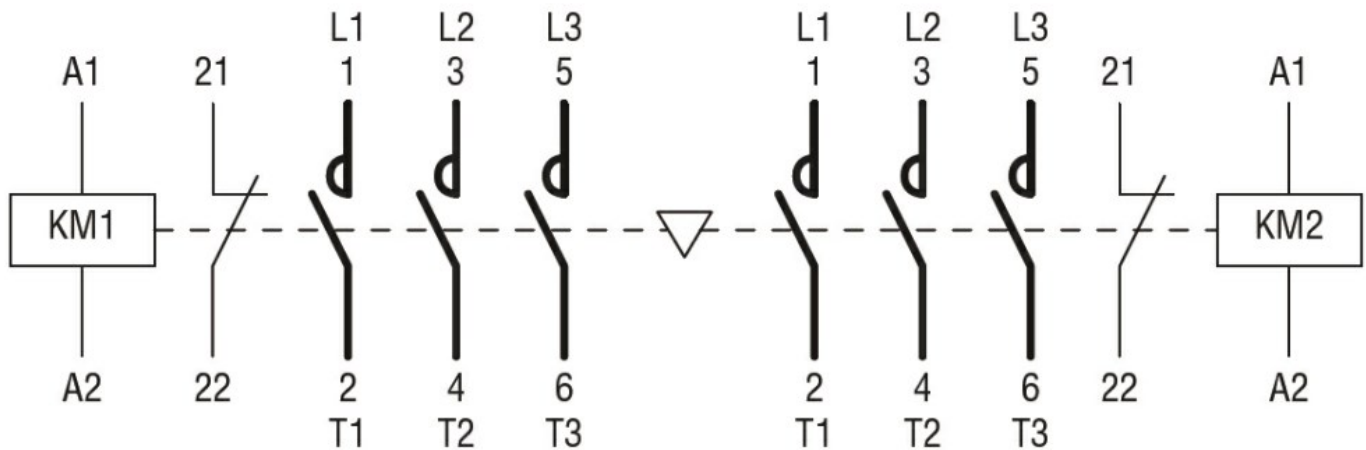
Terminals type Clamp screw

Weight g 400

**Dimensions**



**Wiring diagrams**



### Certifications and compliance

#### Compliance

IEC/EN 60947-1

IEC/EN 60947-4-1

UL508 CSA C22.2 n° 14

#### Certificates

cULus

### ETIM classification

ETIM 8.0

EC001037 -  
Motor  
starter/Motor  
starter  
combination