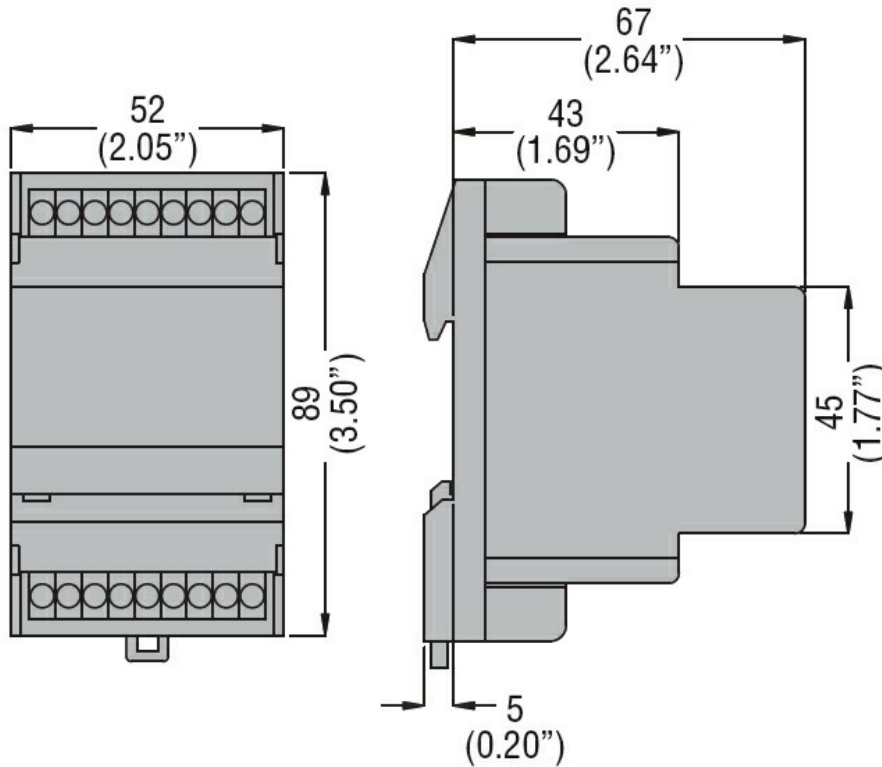


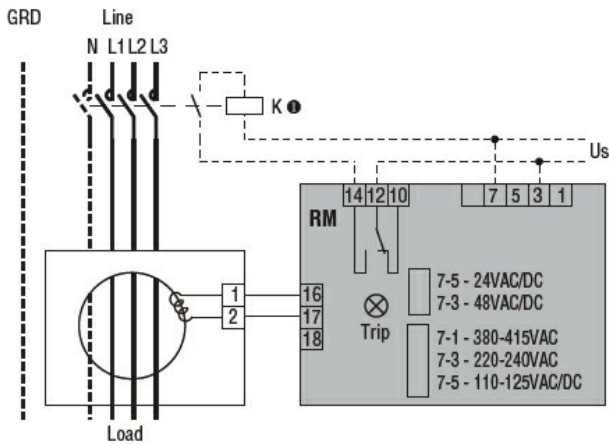


Product designation	Earth leakage relays		
Product type designation	RM		
<b>General characteristics</b>			
Description	Modular with transparent cover, 1 operating threshold		
N° of operating threshold	1		
<b>Control circuit</b>			
Toroidal transformer	External		
<b>Adjustments</b>			
Tripping set-point ( $I_{\Delta n}$ )	(x0.1)	A	0.025...0.25
	(x1)	A	0.25...2.5
	(x10)	A	2.5...25
	(external multiplier)	A	25...250
Tripping delay time	(tx1)	s	0.02...0.5
	(tx10)	s	0.2...5
Selection of multiplier for $I_{\Delta n}$ and t	By dip switches		
Resetting	Configurable automatic or manual by button on front		
Test Button	Yes		
Shunt circuit control	No		
<b>Auxiliary supply</b>			
Auxiliary rated supply voltage $U_s$	110... 125VAC/DC; 220... 240/380... 415VAC		
Operational limits	110... 125VAC/DC or 220...240VAC or 380...415VAC		
Output contacts	1		
Rated frequency	Hz	50...60	
Power consumption Max	VA	3	
<b>Relay outputs</b>			
Relay state	Normally de-energised		
Contact arrangement	1 changeover SPDT (trip)		
Rated contact capacity IEC $I_{th}$	5A - 250VAC		
<b>Insulations</b>			

Power frequency withstand voltage		kV	2.5kV for 60s	
<b>Indications</b>				
Auxiliary voltage available (ON)			Green LED	
Relay tripping (TRIP)			Red LED	
<b>Connections</b>				
Terminals type			Fixed	
Tightening torque for terminals		max	Nm	0.5
		max	lbin	4.5
Conductor section				
	AWG/Kcmil	min		24
		max		12
	IEC	min	mm <sup>2</sup>	0.2
		max	mm <sup>2</sup>	2.5
<b>Operations</b>				
Mechanical life		cycles	50000000	
Electrical life		cycles	300000	
<b>Ambient conditions</b>				
Temperature				
	Operating temperature	min	°C	-10
		max	°C	+60
	Storage temperature	min	°C	-20
		max	°C	+80
Relative humidity			%	≤90%
<b>Housing</b>				
Material			Self-extinguishing polycarbonate	
Mounting			35mm DIN rail	
Degree of protection			IP20 terminals	
Dimensions (W x H x D)		mm	52x89x72	
Weight		g	190	
<b>Dimensions</b>				



### Wiring diagrams



### Certifications and compliance

Compliant with standards

IEC/EN 60947-2

Certificates

EAC

### ETIM classification

ETIM 8.0

EC001445 -  
Residual current  
monitoring relay