

For commercial use

## BN interface

Model name:

# BMS-IFBN1280U-E

Installation Manual	1	English
Manuel d'installation	13	Français
Installationshandbuch	25	Deutsch
Manuale d'installazione	37	Italiano

# Contents

---



Precautions for safety .....	2
Introduction.....	3
1 Installation .....	5
2 Power and signal line connections .....	7
3 Settings.....	9
3-1. Switch setting .....	9
3-2. LED .....	10
4 Factory default settings .....	10
5 Test run.....	11
5-1. BACnet communication settings .....	11
5-2. Setting up equipment data in the indoor unit .....	12
5-3. Cause of problem occurring during setup .....	12
6 Turning off the BN interface.....	12

# Precautions for safety

The following instructions must be observed.

- Carefully read these "Precautions for Safety" before installation, and perform installation work safely.
- These precautions contain important information regarding safety.
- After installation work, carry out an operation trial to confirm that there are no problems, and explain to the customer how to operate and maintain the system. Ask the customer to keep this Installation Manual.

## Expressions



 <b>Warning</b>	Text set off in this manner indicates that failure to adhere to the directions in the warning could result in serious bodily harm (* <sup>1</sup> ) or loss of life if the product is handled improperly.
 <b>Caution</b>	Text set off in this manner indicates that failure to adhere to the directions in the caution could result in serious bodily injury (* <sup>2</sup> ) or damage (* <sup>3</sup> ) to property if the product is handled improperly.

\*1: Serious bodily harm indicates loss of eyesight, injury, burns, electric shock, bone fracture, poisoning, and other injuries which leave aftereffect and require hospitalization or long-term treatment as an outpatient.

\*2: Bodily injury indicates injury, burns, electric shock, and other injuries which do not require hospitalization or long-term treatment as an outpatient.

\*3: Damage to property indicates damage extending to buildings, household effects, domestic livestock, and pets.

## Graphic symbols

 Prohibited	"⊘" indicates prohibited items. The actual contents of the prohibition are indicated by a picture or text placed inside or next to the graphic symbol.
 Compulsory	"!" indicates compulsory (mandatory) items. The actual contents of the obligation are indicated by a picture or text placed inside or next to the graphic symbol.

## Warning



- **Installation and reinstallation should be performed by your dealer or a qualified electrician**  
Attempting to carry out installation work on your own, and doing so incorrectly, may result in electric shock or fire.
- **Electrical work must be performed by a qualified electrician in accordance with this Installation Manual. The work must satisfy all local, national and international regulations**  
Inappropriate work may result in electric shock or fire.
- **Be sure to turn off the power before starting work**  
Failure to do so may result in electric shock.
- **Use only the power adapter supplied with this unit**  
A power adapter other than that supplied with this unit may provide a different voltage and have different polarity (+) (-), which could lead to fire, explosion or generation of heat.



- **Do not modify the unit**  
Doing so may result in excessive heat or fire.

### Warning

This is a class A product. In a domestic environment this product may cause radio interference in which case the user may be required to take adequate measures.

# Introduction

## ■ Overview

The BN interface refers to equipment used for controlling Building Management Systems (Procured locally) and air conditioners "TU2C-LINK Uh Line (hereinafter, referred to as Uh Line) compatible models" through communications via a network to enable central control.

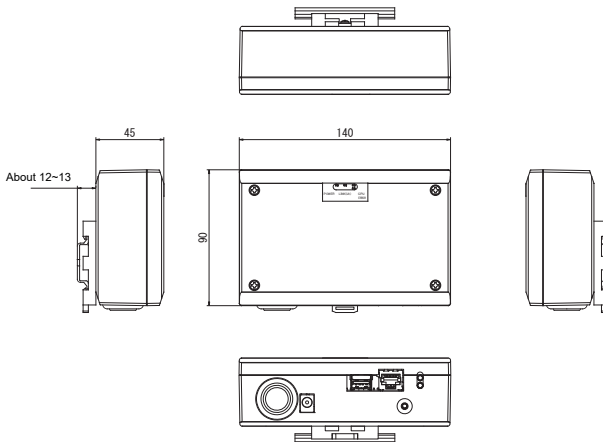
## ■ Included Items

Component	Q'ty	Remarks
BN interface equipment	1	
Power adapter	1	BN interface power supply (model name: UI318-0526) (not include Power Cable)
Pin terminal	2	Uh Line caulked connectors
Mounting bracket (DIN rail)	1	Use screws to secure the unit in locations without DIN rails (walls, etc.)
Screws (M4 x 12)	2	For securing the DIN rails
Rubber feet	4	For levelling the unit
Screws (M3 x 8)	4	For securing the rubber feet to the unit
Installation Manual	1	This manual
License Agreement	1	
License Information	1	
Tie-wrap	1	

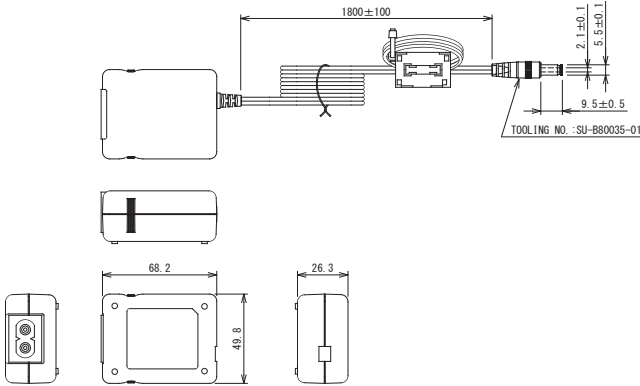
## ■ Specifications

Power supply	Rated voltage	220-240 VAC 50/60 Hz
	Power consumption	3 W
Operating temperature range		0°C to 40°C, 10% to 80% RH (no condensation)
Storage temperature range		-10°C to +60°C, 10% to 90% RH (no condensation)
Dimensions		Width 140 mm x Height 90 mm x Depth 45 mm
Mass		BN interface 260 g Power adapter 140 g

## ■ External View (BN interface equipment)



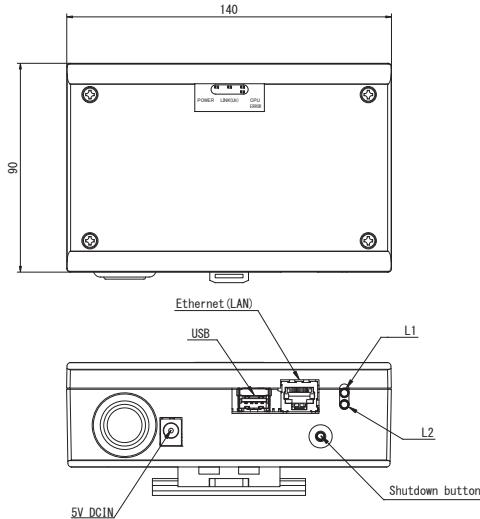
(Power adapter)



**REQUIREMENT**

Power cable is not supplied for the BN Interface. Insert a two core power cord applicable to the standard of the country you use.

**■ Component Names**



EN

Name	Function
5V DCIN	Connect the power adapter
USB	(For service)
Ethernet (LAN)	Connect to the Building Management System
Shutdown button	Shutdown or switch to air-conditioning search mode
L1	BACnet communication status indicator
L2	BACnet communication status indicator, setting error indicator

# 1 Installation

## REQUIREMENT

Do not install the unit in any of the following places.

- Humid or wet place
- Dusty place
- Place exposed to direct sunlight
- Place where there is a TV set or radio within one meter
- Place exposed to rain (outdoors, under eaves, etc.)

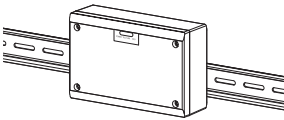
## ■ BN Interface Installation and Orientation

Install and orient the interface using the DIN rail to mount the unit or wall mount or surface mount it as shown below. Use the supplied mounting bracket to wall mount or surface mount the interface.

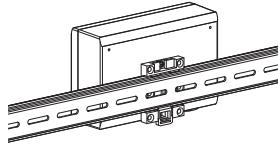
### (1) DIN rail mount

Install the interface on DIN rails mounted on a switchboard or elsewhere.

Front view

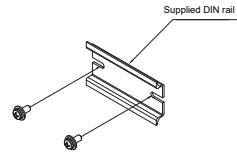


Back view

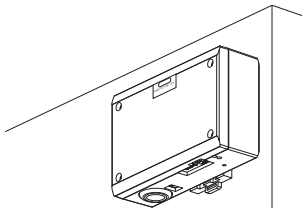


### (2) Wall mount

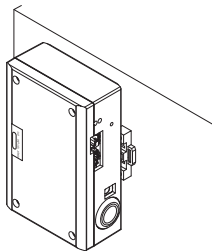
Use screws to attach the supplied DIN rails to a wall and install the interface on the DIN rail.



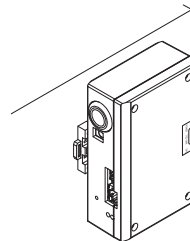
Wall mount A



Wall mount B

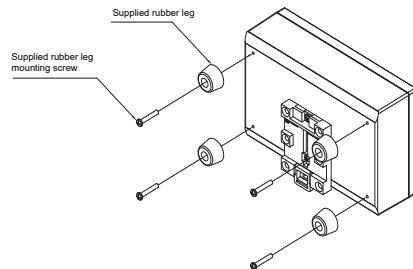
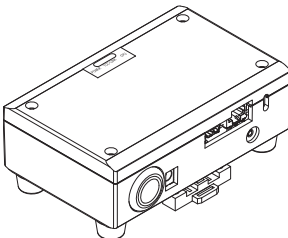


Wall mount C



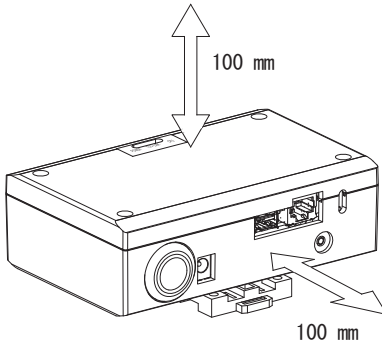
### (3) Surface mount

Use screws to secure the supplied rubber legs to the interface before surface mounting it.



## ■ Installation Space and Maintenance Space

A side space for connecting through cable inlets and an upper space for maintenance must be reserved before installation. The other sides can be adjacent to surrounding objects.



# 2 Power and signal line connections

## ■ Cables

Use the following cable for signal line connections. (Procured locally)

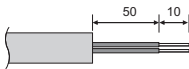
No.	Line	Description	
1	For Uh Line	Type	2-core shielded wires
		Wire size	1.25 mm <sup>2</sup> , 1000 m max. (total length including air conditioner wiring length)
		Length	2.00 mm <sup>2</sup> , 2000 m max.
2	For Ethernet®	Type	LAN cable (higher than Category 5, UTP) The appropriate use of straight cable/cross cable should be done depending on your system used
		Length	100 m max.

Ethernet® is a registered trademark of Xerox Co., Ltd.

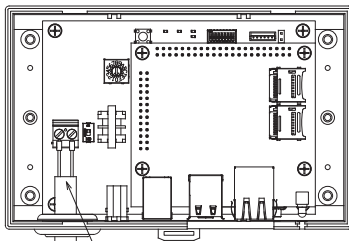
## ■ Cable Connections

Connect the cables to the specified connectors.

Length of stripped Uh Line communication cable

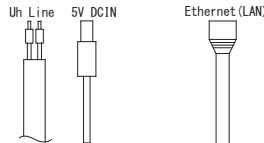
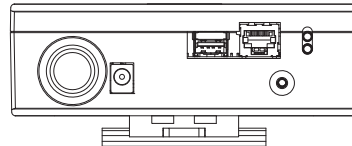


Connect the supplied pin terminal to the Uh Line communication cable as necessary.



Air conditioner

The Uh Line communication cable must be earthed on the air conditioner. Do not connect the shield wire to the connector. It should be open and insulated.



Connection of Uh Line communication cables

Connect the supplied power adapter

Connect the LAN cable

### CAUTION

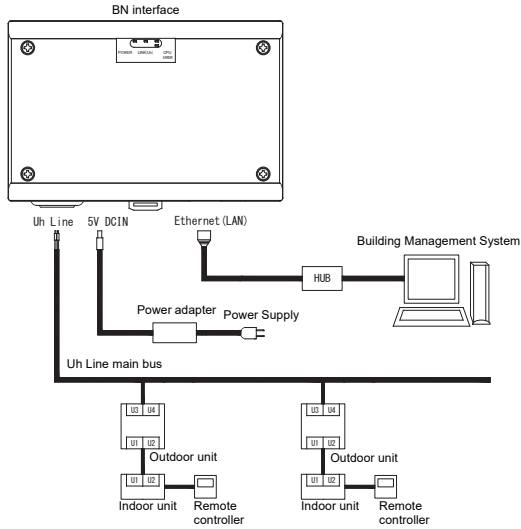
The Uh Line communication cable have no polarity.



\* Secure the Uh Line communication cable and power cable to the switchboard etc. using the supplied cable tie to ensure that no excess load is placed on the power cable connection and Uh Line communication cable connection.



### ■ Example of System Wiring Connections



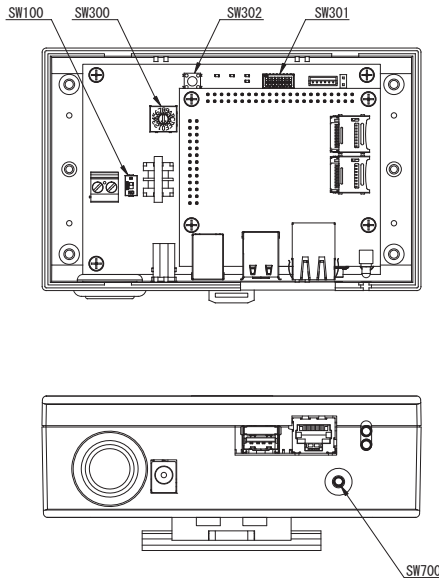
EN

# 3 Settings

## 3-1. Switch setting

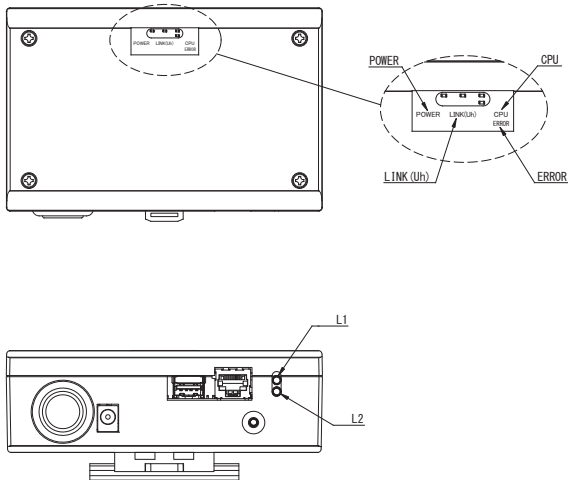
- SW300 Not used
- SW301 Test switch  
Set all bits to "OFF".
- SW302 Test button  
Not used during normal operation.
- SW100 Uh Line terminator resistor setting switch  
Set the Uh Line terminator resistor on the air conditioner side. Set SW100 to "OFF".
- SW700 Shutdown function / air-conditioning search mode function button  
Use this button to stop BACnet process and network process of the BN interface or to start up in the air-conditioning search mode. Note that button operation changes depending on how long it is depressed.

Time duration button is depressed	Operation
Less than 4 seconds	Stop BACnet process and network process of the BN interface.
4 seconds or more	Starts air-conditioning in the air-conditioning search mode. Use the air-conditioning search mode to set up equipment data in the indoor unit.



### 3-2. LED

LED	LED color	Use
POWER	Red	Power indicator
LINK(Uh)	Orange	Uh Line communication status indicator
ERROR	Red	Uh Line communication error indicator
CPU	Green	Communication status indicator in the BN interface
L1	Green	BACnet communication status indicator
L2	Red	BACnet communication status indicator, setting error indicator



## 4 Factory default settings

No.	Item	Factory default setting
1	IP address	IP address 192.168.1.100 Subnet mask 255.255.255.0
2	UDP port	47808 (0xBAC0)
3	Device object instance number	100
4	Address setting switch	1
5	Test switch	All OFF
6	Uh Line terminator resistor select switch	OFF

EN

# 5 Test run

To perform test run of the BN interface, BACnet communication settings and the equipment data of the connected indoor units are required.

Items to be set during trial run

Equipment	Item		Setting method	
Outdoor unit	Uh Line address	Line address	Use the DIP switch on the outdoor unit circuit board.	
Indoor unit	Uh Line address	Line address	Use the address setting function of wired remote controller. (Except for simple wired remote controller)	
		Unit address		
		Central control address		
		Group address		
BN interface	IP address	IP address	Use Setting File Creation Software 2. (See Section 5-1.)	
		Network mask		
	BACnet communication device identification number	BACnet device object instance number		
	When using together with a central control device not compatible with Uh Line	Setting of old BN interface		
		Setting for combined use with old controller		
	When replacing with a BN interface that does not support Uh Line	Setting of old BN interface		
	Indoor unit information (DN code setting values)	Line address		When setup work (see Section 5-2) is performed, the BN interface reads out the set values from the indoor unit and records them on the SD card of the BN interface. Perform setup work after changing the device information of the indoor unit.
		Unit address		
		Central control address		
		Group address		
		Operation mode setting range		
		Temperature setting range		
		Fan speed setting range		
Flap type				
Ventilation amount setting range				
Ventilation mode setting range				
Availability of ventilation operation				
Availability of save function				

## 5-1. BACnet communication settings

Set the IP address of the BN interface and the device object instance number of the BACnet communications. These setting can set from Setting File Creation Software 2. For details, contact your dealer.

## 5-2. Setting up equipment data in the indoor unit

Obtain the equipment data of the indoor unit that is controlled by the BN interface from the indoor unit via the Uh Line communication cable.

Preparing to set up equipment data in the indoor unit

- Central Control address must be set in the indoor unit you want to control.  
For information on how to set the address, refer to the installation manual of each indoor unit.
- Turn on all indoor and outdoor units. Set up as follows, waiting 10 minutes after turning on all the units.

Setup work

- Turn on the BN interface.
- When 10 minutes has elapsed since turning on the BN interface, hold down the shutdown button for 4 seconds or longer. L1 LED goes on.
- When the BN interface has started up normally, start reading the equipment data of the interface unit. During this operation L1 LED will be on while L2 LED will be blinking on the BN interface.
- When reading of equipment data in the indoor unit ends normally, the BN interface will automatically start preparing for BACnet communication. L1 LED on the BN interface is blinking.
- When the preparations for BACnet communications end normally, L1 LED and L2 LED of the BN interface will start blinking.
- If an error occurs during reading of equipment data from the indoor unit or when preparing for BACnet communications, L1 LED and L2 LED of the BN interface will go on.

Determining the cause of such an error will require the use of engineering tools. For details, contact your dealer.

## 5-3. Cause of problem occurring during setup

Cause of problem	Cause	Action
The indoor unit cannot be found.	The indoor and outdoor units have not been turned on.	Make sure that indoor and outdoor units are turned on.
	The indoor and outdoor units are being initialized and it is not possible to communicate with them. LINK(Uh) LED does not blink at all	Make sure that indoor and outdoor units are turned on. Make sure they have been on for at least 10 minutes.
	The Uh Line cables have been incorrectly connected.	Connect the cables correctly.
	The central control address has not been set in the indoor units.	Make sure that the central control address has been set in the indoor units.
The central control address set in the indoor units are not unique.	The same central control address has been set in a number of indoor units.	Make sure that the central control address has been correctly set in the indoor units.

# 6 Turning off the BN interface

Press the shutdown button, then wait 5 minutes before turning it off.

### CAUTION

As the air-conditioning search mode will be engaged if the shutdown button is pressed for 4 seconds or longer, do not hold down the button.

EN

# Contenu

---



Précautions relatives à la sécurité .....	14
Introduction.....	15
1 Installation .....	17
2 Connexion de l'alimentation et de la ligne de signal .....	19
3 Paramètres.....	21
3-1. Réglage d'interrupteur .....	21
3-2. Témoin DEL .....	22
4 Réglages par défaut en usine.....	22
5 Essai de fonctionnement .....	23
5-1. Réglage de communication BACnet .....	23
5-2. Mise en place des données d'équipement dans l'unité intérieure .....	24
5-3. Cause du problème se produisant pendant l'installation .....	24
6 Mise hors tension l'interface BN .....	24

# Précautions relatives à la sécurité

Respectez les instructions ci-dessous.

- Lisez attentivement ces "Précautions relatives à la sécurité" avant l'installation et réalisez l'installation en toute sécurité.
- Ces précautions contiennent des informations importantes concernant la sécurité.
- Après l'installation, effectuez un essai de fonctionnement pour vous assurer qu'il n'y a pas de problèmes, et pour pouvoir expliquer au client comment utiliser et entretenir le système. Demandez au client de conserver ce Manuel d'installation.

## Expressions



 <b>Avertissement</b>	Le texte placé de cette manière indique que ne pas suivre les directives de l'avertissement pourrait entraîner de graves blessures corporelles (*1) ou la mort si le produit n'est pas manipulé correctement.
 <b>Attention</b>	Le texte placé de cette manière indique que ne pas suivre les directives de la précaution pourrait entraîner de graves blessures corporelles (*2) ou des dommages sur le bien (*3) si le produit n'est pas manipulé correctement.

\*1: Perte de la vue, brûlure, électrocution, fracture, empoisonnement et autres blessures graves nécessitant une hospitalisation ou un traitement, dans certains cas, lourd.

\*2: Les blessures peuvent être des brûlures, une secousse électrique ou toute autre fait similaire ne requérant pas une hospitalisation ni un traitement ambulatoire de longue durée.

\*3: Dommages à la propriété, c'est-à-dire aux biens immobiliers, aux biens mobiliers, aux animaux domestiques, etc.

## Symboles graphiques

 Interdit	"⊘" indique une action interdite. La description de l'interdiction est indiquée sous forme d'image ou de texte placés à l'intérieur ou en regard du symbole graphique.
 Obligatoire	"!" indique une action obligatoire. La description de l'obligation est indiquée sous forme d'image ou de texte placés à l'intérieur ou en regard du symbole graphique.

## Avertissement



- **L'installation et la réinstallation doit être réinstallée par votre revendeur ou un électricien qualifié**

Essayer de réaliser l'installation soit même et le faire incorrectement peut entraîner un choc électrique ou un incendie.

- **L'installation électrique doit être effectuée par un électricien qualifié conformément à ce Manuel d'installation. Le travail doit être conforme aux règlements locaux, nationaux et internationaux**

Une installation inappropriée peut entraîner un choc électrique ou un incendie.

- **Assurez-vous de mettre l'appareil hors tension avant de démarrer le travail**

La non-observation de cet avertissement peut se solder par une électrocution.

- **Utilisez uniquement l'adaptateur d'alimentation fourni avec cet appareil**

Un autre adaptateur d'alimentation que celui fourni avec cet appareil peut fournir une tension différente ou avoir une polarité différente (+) (-), et cela peut entraîner un incendie, une explosion ou une génération de chaleur.



- **Ne modifiez pas l'appareil**

Cela pourrait entraîner une chaleur excessive ou un incendie.

### Avertissement

Il s'agit d'un produit de classe A. Dans un milieu domestique, ce produit peut entraîner des interférences radio pour lesquelles l'utilisateur risque de devoir prendre des mesures adéquates.

# Introduction

## ■ Présentation

L'interface BN fait référence à un équipement utilisé pour commander les systèmes de gestion des bâtiments (vendu séparément) et les climatiseurs « modèles compatibles TU2C-LINK Uh Line (ci-après nommés Uh Line) » par les communications via un réseau autorisant un contrôle centralisé.

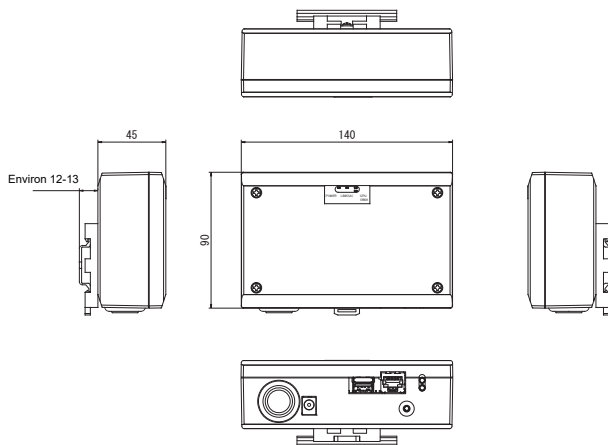
## ■ Articles compris

Composant	Q'té	Remarques
Équipement d'interface BN	1	
Adaptateur d'alimentation	1	Alimentation de l'interface BN (nom du modèle: UI318-0526) (Câble d'alimentation non fourni)
borne à broche	2	Connecteurs calfeutrés Uh Line
Support de fixation (rail DIN)	1	Utilisez des vis pour fixer l'appareil dans des endroits sans rails DIN (murs, etc.)
Vis (M4 x 12)	2	Pour fixer les rails DIN
Pieds en caoutchouc	4	Pour mettre l'appareil à niveau
Vis (M3 x 8)	4	Pour fixer les pieds en caoutchouc à l'appareil
Contrat de licence	1	
Informations de licence	1	
Attache autobloquante	1	

## ■ Spécifications

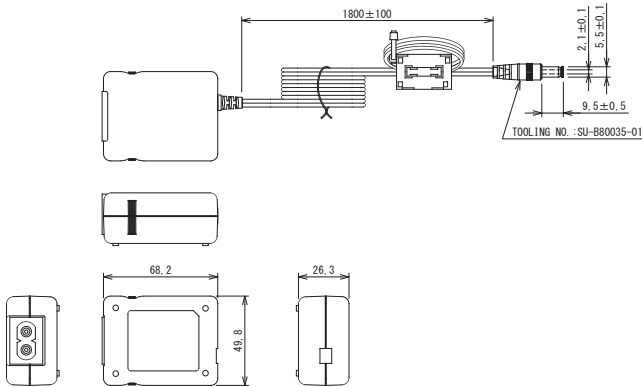
Alimentation électrique	Tension nominale	220-240 V CA 50/60 Hz
	Consommation d'énergie	3 W
Plage de température d'utilisation		0°C à 40°C, 10% à 80% HR (sans condensation)
Plage de température de rangement		-10°C à +60°C, 10% à 90% HR (sans condensation)
Dimensions		Largeur 140 mm x Hauteur 90 mm x Profondeur 45 mm
Masse		Interface BN 260 g Adaptateur d'alimentation 140 g

## ■ Vue extérieure (équipement à interface BN)

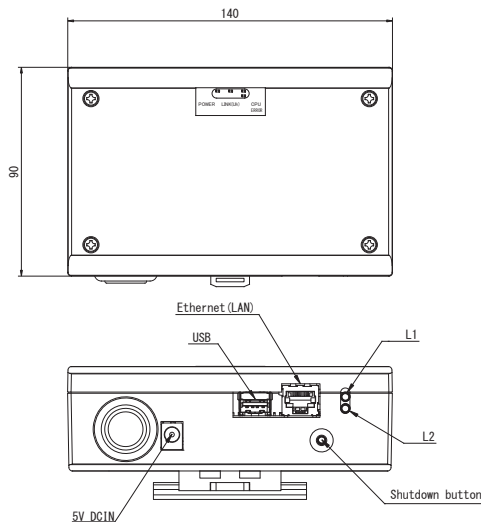




(Adaptateur d'alimentation)

**EXIGENCE**

Le câble d'alimentation de l'interface BN n'est pas fourni. Utilisez un câble à deux conducteurs conformément à la réglementation du pays.

**■ Nom des composants**

Nom	Fonction
5V DCIN	Connectez l'adaptateur secteur
USB	(Pour la maintenance)
Ethernet (LAN)	À connecter au système de gestion des bâtiments
Shutdown button	Arrête l'appareil ou commute sur le mode de recherche de climatiseur
L1	Indicateur d'état de communication BACnet
L2	Indicateur d'état de communication BACnet, indicateur d'erreur de réglage

# 1 Installation

## EXIGENCE

N'installez pas l'unité dans un des emplacements suivants.

- Humide ou moite
- Poussiéreux
- Exposé à la lumière directe du soleil
- À moins d'un mètre d'un téléviseur ou d'une radio
- Exposé à la pluie (extérieur, en rive de toit, etc.)

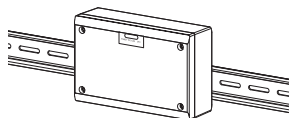
## ■ Installation de l'interface BN et orientation

Installez et orientez l'interface en utilisant le rail DIN pour monter l'appareil ou un support mural ou un support de surface comme montré ci-dessous. Utilisez le support de montage fourni pour monter l'interface sur le support mural ou le support de surface.

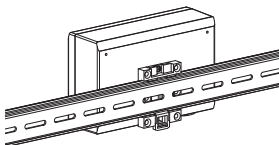
### (1) Support de rail DIN

Installez l'interface sur les rails DIN montés sur un tableau de distribution ou ailleurs.

Vue avant

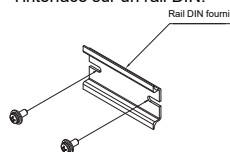


Vue arrière

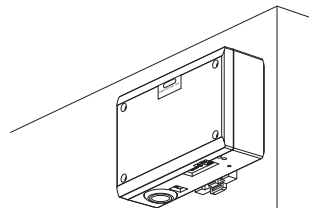


### (2) Pose sur un mur

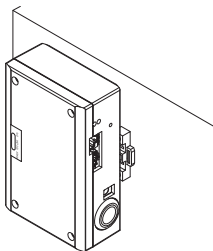
Utilisez les vis pour fixer les rails DIN fournis sur un mur et installez l'interface sur un rail DIN.



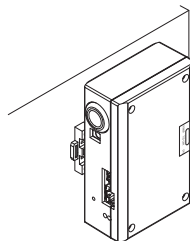
Pose sur un mur A



Pose sur un mur B

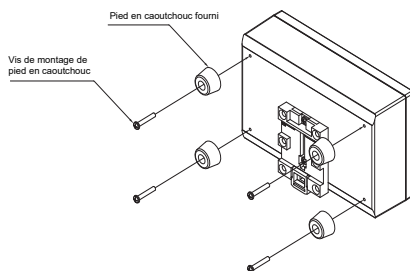
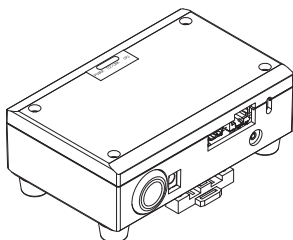


Pose sur un mur C



### (3) Pose en surface

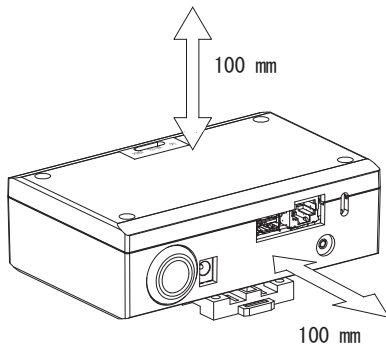
Utilisez les vis pour fixer les pieds en caoutchouc fournis sur l'interface avant de les monter sur la surface.



## ■ Espace requis pour l'installation et l'entretien

Avant l'installation, vous devez allouer un espace latéral pour le branchement à travers les câbles d'entrée et un espace supérieur pour la maintenance.

Les autres côtés peuvent être adjacents aux objets avoisinants.



# 2 Connexion de l'alimentation et de la ligne de signal

## ■ Câbles

Utilisez les câbles suivants pour la connexion de la ligne du signal. (Fourniture locale)

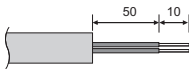
N°	Ligne	Description	
1	Pour Uh Line	Type	Câbles blindés à 2 conducteurs
		Section du câble	1,25 mm <sup>2</sup> , 1000 m max. (longueur totale ly compris la longueur de câblage du climatiseur)
		Longueur	2,00 mm <sup>2</sup> , 2000 m max.
2	Pour Ethernet®	Type	Câble LAN (meilleur que catégorie 5, UTP)
		L'utilisation de câbles droit ou croisés dépend du système envisagé	
		Longueur	100 m max.

Ethernet® est une marque déposée par Xerox Co., Ltd.

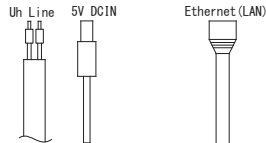
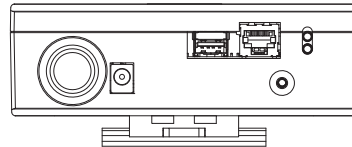
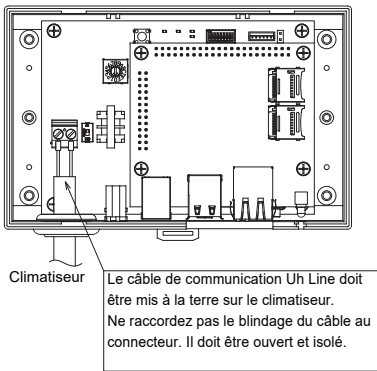
## ■ Connexion des câbles

Connectez les câbles aux connecteurs spécifiés.

Longueur à dénuder du câble de communication Uh Line



Connectez la borne à broche fournie au câble de communication Uh Line si nécessaire.



Connexion des câbles de communication Uh Line

Connectez l'adaptateur secteur fourni

Connectez le câble LAN

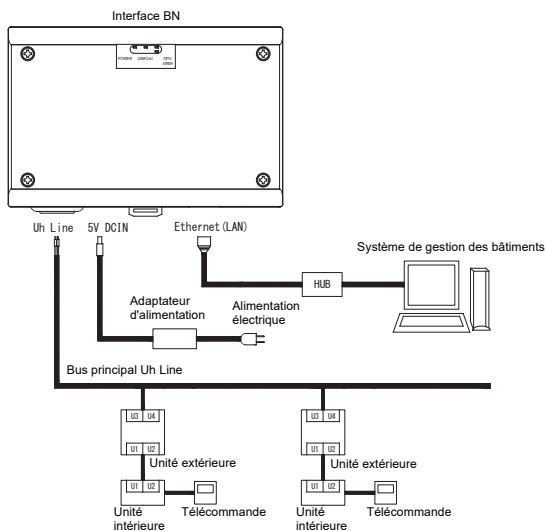
### ATTENTION

Le câble de communication Uh Line n'est pas polarisé.



\* Fixez le câble de communication Uh Line et le câble d'alimentation au tableau de distribution, etc. en utilisant le serre-câble fourni pour vous assurer qu'il n'y a pas trop de charge sur la connexion du câble d'alimentation et la connexion du câble de communication Uh Line.

## ■ Exemple de câblage du système

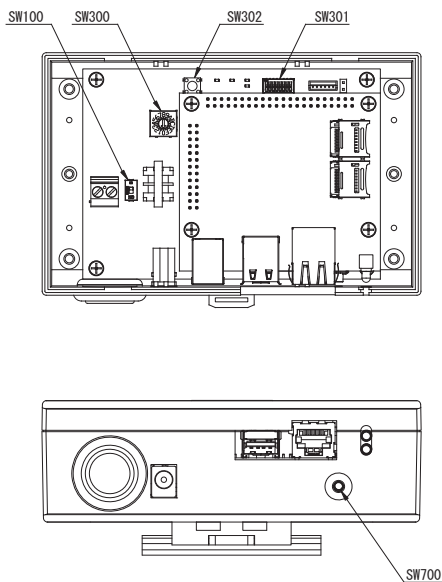


# 3 Paramètres

## 3-1. Réglage d'interrupteur

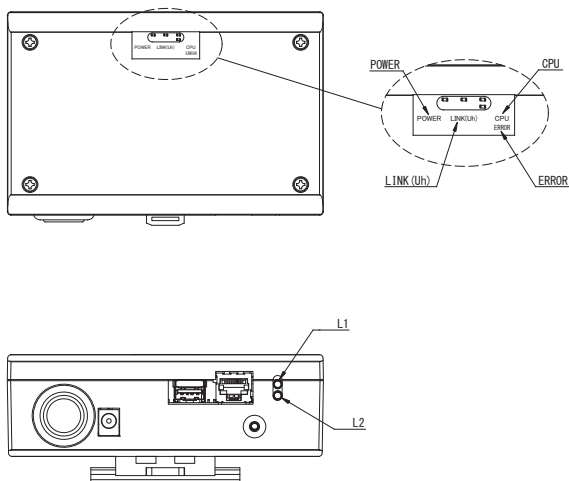
- SW300 Non utilisé
- SW301 Contacteur de test  
Réglez tous les bits sur "OFF".
- SW302 Touche de test  
Non utilisé pendant l'opération normale.
- SW100 Contacteur de réglage de la résistance de terminaison Uh Line  
Réglez la résistance de terminaison Uh Line sur le côté climatiseur. Réglez SW100 sur "OFF".
- SW700 Fonction d'arrêt / touche de fonction de mode de recherche de climatiseur  
Utilisez cette touche pour arrêter le processus BACnet et le processus réseau de l'interface BN ou pour démarrer le mode de recherche de climatiseur. Notez que cette touche change en fonction de la durée pendant laquelle est est enfoncée.

Durée pendant laquelle la touche est enfoncée	Fonctionnement
Moins de 4 secondes	Arrête le processus BACnet et le processus réseau de l'interface BN.
4 secondes ou plus	Démarré la climatisation en mode de recherche de climatisation. Utilisez le mode de recherche de climatisation pour installer les données d'équipement dans l'unité intérieure.



### 3-2. Témoin DEL

Témoin DEL	Couleur du témoin DEL	Utilisation
POWER	Rouge	Indicateur d'alimentation
LINK(Uh)	Orange	Indicateur d'état de communication Uh Line
ERROR	Rouge	Indicateur d'erreur de communication Uh Line
CPU	Vert	Indicateur d'état de communication de l'interface BN
L1	Vert	Indicateur d'état de communication BACnet
L2	Rouge	Indicateur d'état de communication BACnet, indicateur d'erreur de réglage



## 4 Réglages par défaut en usine

N°	Élément	Réglage par défaut en usine
1	Adresse IP	Adresse IP 192.168.1.100 Masque de sous-réseau 255.255.255.0
2	Port UDP	47808 (0xBAC0)
3	Numéro d'instance d'object	100
4	Interrupteur de réglage des adresses	1
5	Contacteur de test	All OFF
6	Contacteur de sélection de la résistance de terminaison Uh Line	OFF

# 5 Essai de fonctionnement

Pour réaliser un essai de fonctionnement de l'interface BN, vous avez besoin des réglages de communication BACnet et des données d'équipement des unités intérieures connectées.

Éléments à régler pendant l'essai

Équipement	Élément		Méthode de réglage	
Unité extérieure	Adresse Uh Line	Adresse de ligne	Utilisez l'interrupteur DIP sur le circuit imprimé de l'unité extérieure.	
Unité intérieure	Adresse Uh Line	Adresse de ligne	Utilisez la fonction de réglage de l'adresse de la télécommande câblée. (À l'exception de la télécommande câblée simple)	
		Adresse de l'unité		
		Adresse du contrôle centralisé		
		Adresse de groupe		
Interface BN	Adresse IP	Adresse IP	Utilisez Setting File Creation Software 2. (Voir la section 5-1.)	
		Masque réseau		
	Numéro d'identification du dispositif de communication BACnet	Numéro d'instance de l'objet du dispositif BACnet		Réglage de l'ancienne interface BN
				Réglage pour une utilisation combinée avec l'ancien contrôleur
	Lors du remplacement par une interface BN qui ne prend pas en charge Uh Line	Réglage de l'ancienne interface BN		Réglage de l'ancienne interface BN
				Adresse de ligne
	Informations sur l'unité intérieure (Valeurs de réglage du code DN)			Adresse de l'unité
				Adresse du contrôle centralisé
				Adresse de groupe
				Plage de réglage du mode de fonctionnement
				Plage de réglage de la température
				Plage de réglage de la vitesse du ventilateur
				Type de volet
				Plage de réglage du volume de ventilation
Plage de réglage du mode de ventilation				
Disponibilité de l'opération de ventilation				
Disponibilité de la fonction de sauvegarde				
Lorsque le travail de configuration (voir Section 5-2) est effectué, l'interface BN lit les valeurs réglées à partir de l'unité intérieure et les enregistre sur la carte SD de l'interface BN. Effectuez le travail de configuration après avoir modifié les informations du dispositif de l'unité intérieure.				

## 5-1. Réglage de communication BACnet

Régalez l'adresse IP de l'interface BN et le numéro d'instance objet des communications BACnet. Ces réglages peuvent être définis à partir de Setting File Creation Software 2. Pour les détails, contactez votre revendeur.



## 5-2. Mise en place des données d'équipement dans l'unité intérieure

Obtenez es données d'équipement de l'unité intérieure qui est commandée par l'interface BN à partir de l'unité intérieure via le câble de communication Uh Line.

Préparation à la mise en place des données d'équipement dans l'unité intérieure

- L'adresse de commande centrale doit être réglée dans l'unité intérieure que vous souhaitez commander. Pour plus de d'informations sur la manière de régler l'adresse, reportez-vous au manuel d'installation accompagnant les unités intérieures.
- Mettez sous tension toutes les unités intérieures et extérieures. Faites les réglages comme suit, et attendez 10 minutes après avoir mis sous tension les unités.

Travail d'installation

- Mettez sous tension l'interface BN.
- Quand 10 minutes sont écoulées après la mise sous tension de l'interface BN, maintenez enfoncé la touche d'arrêt pendant 4 secondes ou plus. Le témoin L1 LED s'allume.
- Quand l'interface BN a démarré normalement, commencez à lire les données de l'équipement de l'unité d'interface. Pendant cette opération, le témoin L1 LED est allumé alors que le témoin L2 LED clignote sur l'interface BN.
- Quand la lecture des données de l'équipement dans les unités intérieures se termine normalement, l'interface BN commence automatiquement à préparer la communication BACnet. Le témoin L1 LED sur l'interface BN clignote.
- Quand les préparations pour les communications BACnet se terminent normalement, le témoin L1 LED et L2 LED de l'interface BN commencent à clignoter.
- Si une erreur se produit pendant la lecture des données de l'équipement de l'unité intérieure ou lors de la préparation des communications BACnet, le témoin L1 LED et le témoin L2 LED de l'interface BN s'allument. Déterminer la cause d'une telle erreur demande l'utilisation d'outils d'ingénierie. Pour les détails, contactez votre revendeur.

## 5-3. Cause du problème se produisant pendant l'installation

Caude du problème	Cause	Action
L'unité intérieure ne peut pas être trouvée.	Les unités intérieures et extérieures n'ont pas été mise sous tension.	Assurez-vous que les unités intérieures et extérieures sont sous tension.
	Les unités intérieures et extérieures sont en cours de réinitialisation et il n'est pas possible de communiquer avec elles. Le témoin DEL LINK(Uh) ne clignote pas du tout	Assurez-vous que les unités intérieures et extérieures sont sous tension. Assurez-vous qu'elles sont restées sous tension pendant au moins 10 minutes.
	Les câble Uh Line sont été connectés incorrectement.	Connectez les câbles correctement.
	L'adresse du contrôle centralisé n'a pas été réglée dans les unités intérieures.	Assurez-vous que l'adresse du contrôle centralisé a été réglée dans les unités intérieures.
L'adresse de commande centrale réglée dans les unités intérieures n'est pas unique.	La même adresse de contrôle centralisé a été réglée dans plusieurs unités intérieures.	Assurez-vous que l'adresse du contrôle centralisé a été réglée correctement dans les unités intérieures.

# 6 Mise hors tension l'interface BN

Appuyez sur la touche d'arrêt, puis attendez 5 minutes avant la mise hors tension.

### ATTENTION

Comme le mode de recherche de climatisation est engagé si vous appuyez sur la touche d'arrêt pendant 4 secondes, ne maintenez pas la touche enfoncée.

# Inhalt

---



Sicherheitshinweise .....	26
Einleitung .....	27
1 Installation .....	29
2 Strom- und Signalkabelanschlüsse .....	31
3 Einstellungen .....	33
3-1. Schaltereinstellung .....	33
3-2. LED .....	34
4 Werkseinstellungen .....	34
5 Testlauf .....	35
5-1. BACnet-Kommunikationseinstellung .....	35
5-2. Einstellen der Gerätedaten im Innengerät .....	36
5-3. Ursache von problemen, die bei der Einrichtung auftreten .....	36
6 Ausschalten der BN-Schnittstelle .....	36

# Sicherheitshinweise

Die folgenden Anweisungen müssen unbedingt beachtet werden.

- Lesen Sie diese „Sicherheitshinweise“ vor der Installation aufmerksam durch und achten Sie bei der Installation auf sichere Ausführung der Arbeiten.
- Diese Vorsichtshinweise enthalten wichtige, die Sicherheit betreffende Informationen.
- Nach Abschluss der Installationsarbeiten führen Sie einen Probelauf durch um sicherzustellen, dass keine Probleme vorliegen, und erläutern dem Kunden die Verwendung und Wartung des Systems. Bitten Sie den Kunden, dieses Installationshandbuch gut aufzubewahren.

## Ausdrücke



 <b>Warnung</b>	In dieser Form hervorgehobene Textpassagen weisen darauf hin, dass eine Nichtbeachtung des betreffenden „Warnung“-Hinweises zu schweren körperlichen Schäden (*1) oder zum Tode führen kann, wenn das Produkt unsachgemäß gehandhabt wird.
 <b>Vorsicht</b>	In dieser Form hervorgehobene Textpassagen weisen darauf hin, dass eine Nichtbeachtung des betreffenden „Vorsicht“-Hinweises zu schweren Verletzungen (*2) oder zu materiellen Schäden (*3) führen kann, wenn das Produkt unsachgemäß gehandhabt wird.

\*1: Als „schwere körperliche Schäden“ gelten der Verlust des Augenlichts, Verwundungen, Verbrennungen, Stromschläge, Knochenbrüche, Vergiftungen und sonstige Verletzungen, die bleibende Folgen hinterlassen und einen Krankenhausaufenthalt oder eine langfristige ambulante Behandlung erforderlich machen.

\*2: Als „schwere Verletzungen“ gelten Verwundungen, Verbrennungen, Stromschläge und sonstige Verletzungen, die keinen Krankenhausaufenthalt und keine langfristige ambulante Behandlung erforderlich machen.

\*3: Als „materielle Schäden“ gelten Schäden an Gebäuden, Hausratsgegenständen, Nutz- und Haustieren.

## Grafische Symbole

 Verboten	„⊘“ deutet auf verbotene Handlungen hin. Der eigentliche Inhalt des Verbots ist in Bild- oder Textform in oder neben dem Grafiksymboll angegeben.
 Vorgeschrieben	„!“ deutet auf zwingend vorgeschriebene (obligatorische) Handlungen hin. Der von der Verpflichtung betroffene Gegenstand wird durch Texte oder Grafiken angezeigt, welche innerhalb oder seitlich des Symbols angeordnet sind.

## Warnung



- **Die Installation und Neuinstallation muss von Ihrem Fachhändler oder einem qualifizierten Elektriker durchgeführt werden**  
Der Versuch, die Installation eigenmächtig durchzuführen, und daraus resultierende Fehler können einen Stromschlag oder Brand zur Folge haben.
- **Installationsarbeiten müssen von einem qualifizierten Elektriker den Angaben in diesem Installationshandbuch gemäß ausgeführt werden. Die Arbeit muss allen regionalen, nationalen und internationalen Bestimmungen entsprechen.**  
Unsachgemäße Arbeiten können Stromschläge oder Brände verursachen.
- **Vor Arbeitsbeginn unbedingt den Strom abschalten**  
Beachten Sie dies nicht, kann ein Stromschlag die Folge sein.
- **Verwenden Sie nur das mit diesem Gerät mitgelieferte Netzteil**  
Ein anderes als das mit diesem Gerät mitgelieferte Netzteil kann eine andere Spannung liefern und eine andere Polarität (+) (-) haben, was zu Bränden, Explosionen oder Hitzeerzeugung führen kann.



- **Keine Änderungen am Gerät vornehmen**  
Dies könnte zu starker Hitzeentwicklung oder einem Brand führen.

## Warnung

Dieses Produkt entspricht der Klasse A. In Wohngebieten kann dieses Produkt Störungen des Funkempfangs verursachen; in diesem Fall muss der Anwender für entsprechende Abhilfemaßnahmen sorgen.

# Einleitung

## ■ Überblick

Die BN-Schnittstelle bezieht sich auf Geräte, die zur Steuerung von Gebäudeverwaltungssystemen (lokal bereitgestellt) und Klimaanlage „TU2C-LINK Uh Line (im folgenden Uh Line genannt) kompatibler Modelle“ durch Kommunikation über ein Netzwerk verwendet werden, um eine zentrale Steuerung zu ermöglichen.

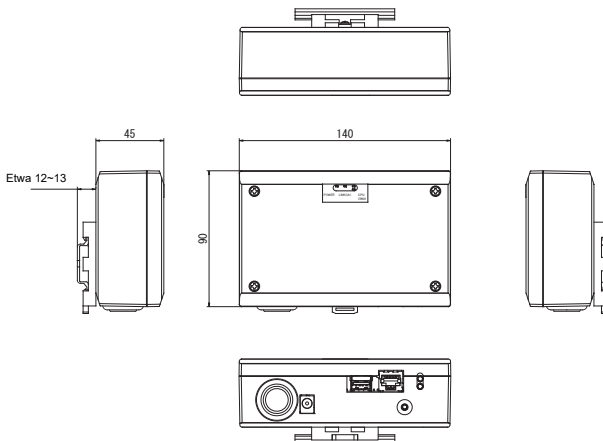
## ■ Lieferumfang

Gegenstand	Menge	Bemerkungen
BN-Schnittstellenausrüstung	1	
Netzteil	1	Stromversorgung der BN-Schnittstelle (Modellbezeichnung: UI318-0526) (ohneNetz-kabel)
Rundstecker	2	Uh Line fixierte Anschlüsse
Montagebügel (DIN-Schiene)	1	An Orten ohne DIN-Schienen (Wänden usw.) das Gerät mit Schrauben befestigen
Schrauben (M4 x 12)	2	Zum Sichern der DIN-Schienen
GummifüÙe	4	Zum Nivellieren der Einheit
Schrauben (M3 x 8)	4	Zum Befestigen der GummifüÙe an der Einheit
Lizenzvertrag	1	
Lizenzinformation	1	
Kabelbinder	1	

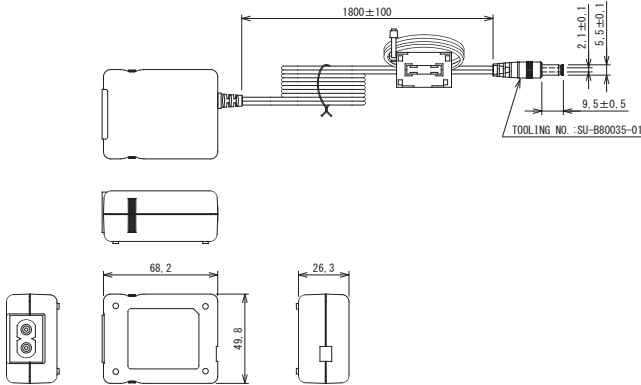
## ■ Technische Daten

Stromversorgung	Nennspannung	220-240 V AC, 50/60 Hz
	Leistungsaufnahme	3 W
Betriebstemperaturbereich		0°C bis 40°C, 10 bis 80% relative Feuchte (keine Kondensation)
Lagertemperaturbereich		-10°C bis +60°C, 10 bis 90% relative Feuchte (keine Kondensation)
Abmessungen		Breite 140 mm x Höhe 90 mm x Tiefe 45 mm
Gewicht		BN-Schnittstelle 260 g Netzteil 140 g

## ■ Außenansicht (BN-Schnittstellenausrüstung)



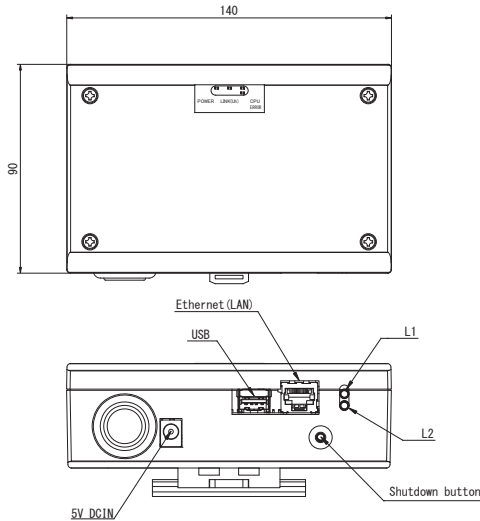
(Netzteil)



**ANFORDERUNG**

Netzkabel für die BN-Schnittstelle ist nicht mitgeliefert. Schließen Sie ein zweidrahtiges Netzkabel an, das die örtlich vorgeschriebenen Bedingungen erfüllt.

**Teilebezeichnungen**



Bezeichnung	Funktion
5V DCIN	Hier wird das Netzteil angeschlossen
USB	(Für Wartungszwecke)
Ethernet (LAN)	Verbindung zum Gebäudeverwaltungssystem
Shutdown button	Herunterfahren oder auf Klimagerät-Suchmodus schalten
L1	BACnet-Kommunikationsstatus-Anzeige
L2	BACnet-Kommunikationsstatus-Anzeige, Einstellfehleranzeige



# 1 Installation

## ANFORDERUNG

Installieren Sie das Gerät nicht in einer der folgenden Stellen.

- Feuchter oder nasser Ort
- Staubiger Ort
- Ort, der direkter Sonneneinstrahlung ausgesetzt ist
- Ort, wo es einen Fernseher oder Radio in einem Meter Abstand gibt
- Ort, der Regen ausgesetzt ist (im Freien, unter Dachvorsprünge, usw.)

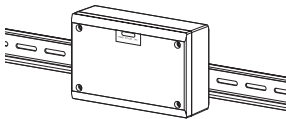
## ■ BN-Schnittstellen-Installation und Orientierung

Die Schnittstelle mit der DIN-Schiene oder an einer Wand oder einer anderen Oberfläche installieren und ausrichten, wie unten gezeigt. Den Montagebügel verwenden, um die Schnittstelle an einer Wand oder Oberfläche anzubringen.

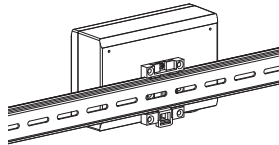
### (1) Befestigung mit DIN-Schiene

Die Schnittstelle auf DIN-Schienen montieren, die an einer Schalttafel o.ä. angebracht sind.

Frontansicht



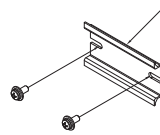
Rückansicht



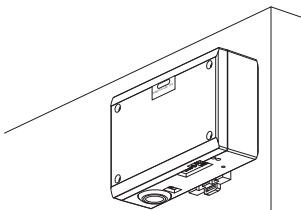
### (2) Wandhalterung

Verwenden Sie Schrauben zum Anbringen der mitgelieferten DIN-Schienen an einer Wand und zum Anbringen der Schnittstelle auf der DIN-Schiene.

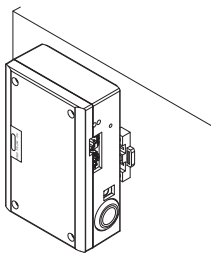
Mitgelieferte DIN-Schiene



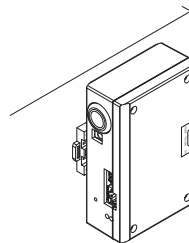
Wandhalterung A



Wandhalterung B

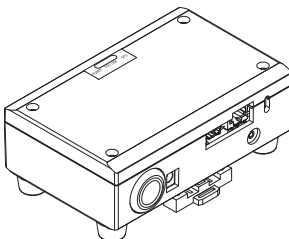


Wandhalterung C



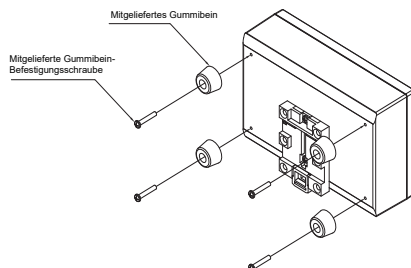
### (3) Oberflächenhalterung

Verwenden Sie Schrauben zum Sichern der mitgelieferten Gummibeine an der Schnittstelle, bevor diese an der Oberfläche montiert wird.



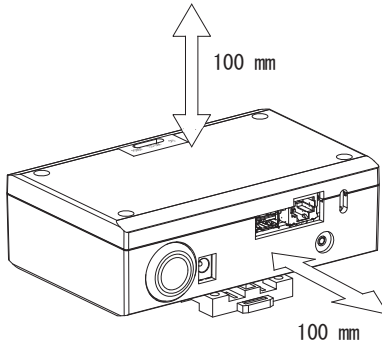
Mitgeliefertes Gummibein

Mitgelieferte Gummibein-Befestigungsschraube



## ■ Installationsplatz und Wartungsplatz

Achten Sie bei der Montage darauf, dass an einer Seite genügend Platz für den Anschluss durch Kabelanschlussöffnungen und oben ein ausreichender Zugang für die Wartung vorhanden ist. Bei den übrigen Seiten ist kein Abstand zu nebenstehenden Geräten erforderlich.



# 2 Strom- und Signalkabelanschlüsse

## ■ Kabel

Verwenden Sie die folgenden Kabel für Signalleitungen. (lokal bereitgestellt)

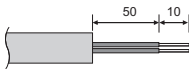
Nr.	Leitung	Beschreibung	
1	Für Uh Line	Typ	2-adriges abgeschirmtes Kabel
		Drahtgrößenzahl	1,25 mm <sup>2</sup> , 1000 m max. (Gesamtlänge einschließlich Klimageräte-Verkabelungslänge)
		Länge	2,00 mm <sup>2</sup> , 2000 m max.
2	Für Ethernet®	Typ	LAN-Kabel (höher als Kategorie 5, UTP) Die sachgerechte Verwendung von Straight-Kabel/Cross-Kabel muss dem verwendeten System gemäß durchgeführt werden
		Länge	100 m max.

Ethernet® ist ein eingetragenes Markenzeichen der Xerox Corporation.

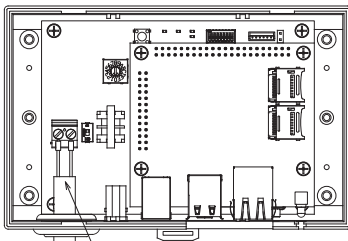
## ■ Kabelverbindungen

Schließen Sie die Kabel an die angegebenen Anschlüsse an.

Länge des abisolierten Kommunikationskabels Uh Line

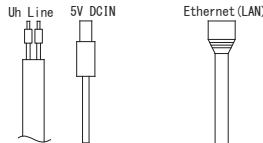
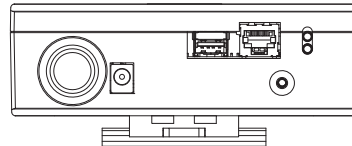


Schließen Sie den mitgelieferten Rundstecker nach Bedarf am Uh Line-Kommunikationskabel an.



Klimagerät

Das Uh Line-Kommunikationskabel muss am Klimagerät geerdet werden. Schließen Sie den abgeschirmten Leiter nicht am Anschluss an. Es sollte offen und isoliert sein.



Anschluss von Uh Line-Kommunikationskabeln

Schließen Sie hier das mitgelieferte Netzteil an

Hier wird das LAN-Kabel angeschlossen

### VORSICHT

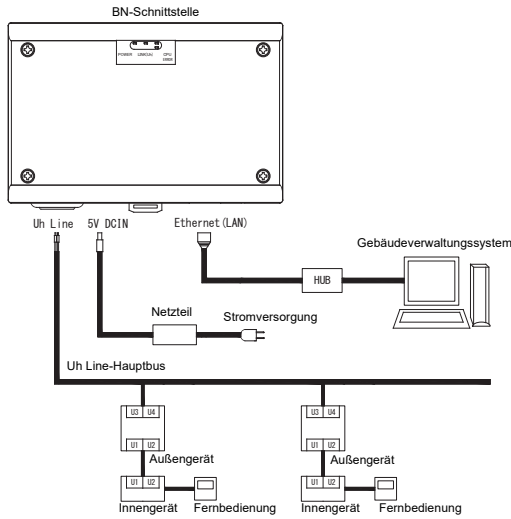
Die Uh Line-Kommunikationskabel haben keine Polarität.



\* Sichern Sie das Uh Line-Kommunikationskabel und Netzkabel an der Schalttafel usw. mit dem mitgelieferten Kabelbinder, um sicherzustellen, dass die Netzkabel- und Uh Line-Kommunikationskabel-Verbindung nicht zu stark belastet wird.



## ■ Beispiel einer Anlagenverkabelung

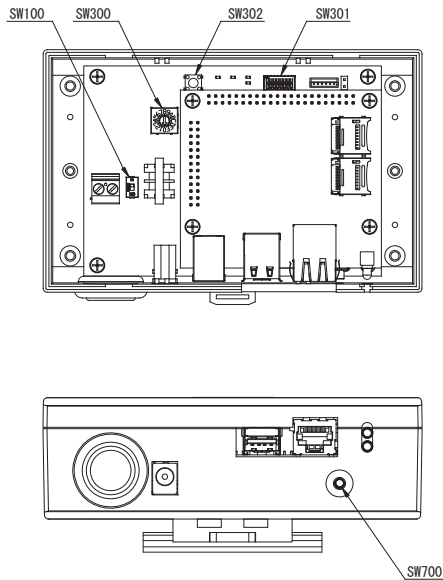


# 3 Einstellungen

## 3-1. Schaltereinstellung

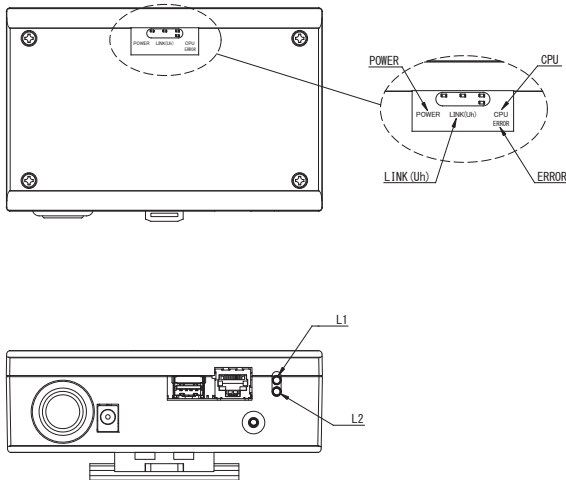
- SW300 Nicht verwendet
- SW3 Testschalter  
Stellt alle Bits auf „OFF“ (aus).
- SW302 Test-Taste  
Keine Verwendung beim Normalbetrieb.
- SW100 Einstellschalter für Uh Line-Abschlusswiderstand  
Stellen Sie den Uh Line-Abschlusswiderstand an der Seite des Klimageräts ein. Stellen Sie SW100 auf „OFF“ (aus).
- SW700 Herunterfahren-Funktion / Klimaanlage-Suchmodus-Funktionstaste  
Verwenden Sie diese Taste zum Stoppen des BACne-Prozesses und des Netzwerk-Prozesses an der BN-Schnittstelle oder zum Starten im Klimageräte-Suchmodus. Beachten Sie, dass die Tastenbedienung unterschiedlich ist, je nachdem wie lange sie gedrückt wird.

Die Zeitdauer-Taste wird gedrückt	Bedienung
Weniger als 4 Sekunden	Stoppen Sie den BACnet-Prozess und den Netzwerk-Prozess an der BN-Schnittstelle.
4 Sekunden oder mehr	Startet den Betrieb im Klimagerät-Suchmodus. Verwenden Sie den Klimagerät-Suchmodus zum Einrichten von Gerätedaten im Innengerät.



### 3-2. LED

LED	LED-Farbe	Verwendung
POWER	Rot	Stromversorgungsanzeige
LINK(Uh)	Orange	Statusanzeige für Uh Line-Kommunikation
ERROR	Rot	Fehleranzeige für Uh Line-Kommunikation
CPU	Grün	Kommunikationsstatus-Anzeige in der BN-Schnittstelle
L1	Grün	BACnet-Kommunikationsstatus-Anzeige
L2	Rot	BACnet-Kommunikationsstatus-Anzeige, Einstellfehleranzeige



## 4 Werkseinstellungen

Nr.	Gegenstand	Werkseinstellung
1	IP-Adresse	IP-Adresse 192.168.1.100 Subnet-Maske 255.255.255.0
2	UDP-Anschluss	47808 (0xBAC0)
3	Geräteobjekt-Instanznummer	100
4	Adresseneinstellung-Schalter	1
5	Testschalter	Alle AUS
6	Wahlschalter für Uh Line-Abschlusswiderstand	AUS

# 5 Testlauf

Zum Ausführen eines Testlaufs der BN-Schnittstelle sind die BACnet-Kommunikationseinstellungen und die Gerätedaten des angeschlossenen Innengeräts erforderlich.

Elemente, die während des Testlaufs eingestellt werden müssen

Gerät	Element		Einstellmethode	
Außengerät	Uh Line-Adresse	Line-Adresse	Verwenden Sie den DIP-Schalter auf der Platine des Außengeräts.	
Innengerät	Uh Line-Adresse	Line-Adresse	Verwenden Sie die Adresseinstellfunktion der kabelgebundenen Fernbedienung. (außer bei einer einfachen kabelgebundenen Fernbedienung)	
		Geräteadresse		
		Zentrale Steueradresse		
		Gruppenadresse		
BN-Schnittstelle	IP-Adresse	IP-Adresse	Verwenden Sie die Setting File Creation Software 2. (siehe Abschnitt 5-1.)	
		Netzwerkmaske		
	Identifikationsnummer des BACnet-Kommunikationsgeräts	BACnet-Geräteobjekt-Instanznummer		
	Bei Verwendung mit einem zentralen Steuergerät, das nicht mit Uh Line kompatibel ist	Einstellung der alten BN-Schnittstelle		
		Einstellung für kombinierte Verwendung mit alten Steuergeräten		
	Beim Ersetzen durch eine BN-Schnittstelle, die Uh Line nicht unterstützt	Einstellung der alten BN-Schnittstelle		
	Informationen zum Innengerät (DN-Code-Einstellungswerte)	Line-Adresse		Bei der Einrichtung (siehe Abschnitt 5-2) liest die BN-Schnittstelle die eingestellten Werte aus dem Innengerät aus und speichert sie auf der SD-Karte der BN-Schnittstelle. Führen Sie die Einrichtung durch, nachdem Sie die Geräteinformationen des Innengeräts geändert haben.
		Geräteadresse		
		Zentrale Steueradresse		
		Gruppenadresse		
		Einstellbereich Betriebsart		
		Einstellbereich Temperatur		
		Einstellbereich Lüfterdrehzahl		
		Klappe		
Einstellbereich Belüftungsmenge				
Einstellbereich Lüftungsmodus				
Verfügbarkeit des Lüftungsbetriebs				
Verfügbarkeit der Speicherfunktion				

## 5-1. BACnet-Kommunikationseinstellung

Stellen Sie die IP-Adresse der BN-Schnittstelle und die Geräteobjekt-Instanznummer der BACnet-Kommunikation ein. Diese Einstellungen können über die Setting File Creation Software 2 vorgenommen werden. Wenden Sie sich für nähere Informationen hierzu an Ihren Fachhändler.

## 5-2. Einstellen der Gerätedaten im Innengerät

Erhalten Sie die Gerätedaten des Innengeräts, das von der BN-Schnittstelle gesteuert wird vom Innengerät über das Uh Line-Kommunikationskabel.

Vorbereitung zum Einrichten von Gerätedaten im Innengerät

- Zentralsteueradresse muss im zum Steuern gewünschten Innengerät eingestellt werden. Informationen zur Einrichtung der Adresse finden Sie in der Einbauanleitung jedes Innengeräts.
- Schalten Sie alle Innengeräte und Außengeräte ein. Nehmen Sie die Einrichtung vor wie folgt, warten Sie 10 nach dem Einschalten aller Einheiten.

Einrichtungsarbeit

- Schalten Sie die BN-Schnittstelle ein.
- Wenn 10 Minuten nach dem Einschalten der BN-Schnittstelle vergangen sind, halten Sie die Herunterfahren-Taste 4 Sekunden lang oder länger gedrückt. L1 LED leuchtet auf.
- Wenn die BN-Schnittstelle normal gestartet hat, starten Sie das Lesen der Gerätedaten an der Schnittstelleneinheit. Bei diesem Vorgang leuchtet an der BN-Schnittstelle L1 LED, während L2 LED blinkt.
- Wenn das Lesen der Gerätedaten im Innengerät normal beendet wird, beginnt die BN-Schnittstelle automatisch mit der Vorbereitung für BACnet-Kommunikation. L1 LED an der BN-Schnittstelle blinkt.
- Wenn die Vorbereitungen für BACnet-Kommunikation normale abgeschlossen werden, beginnen die L1 LED und die L2 LED der BN-Schnittstelle zu blinken.
- Wenn ein Fehler beim Lesen von Gerätedaten vom Innengerät auftreten oder bei der Vorbereitung für BACnet-Kommunikation auftreten, leuchten die L1 LED und die L2 LED an der BN-Schnittstelle auf.  
Zum Bestimmen der Ursache eines solchen Fehlers sind Spezialgeräte erforderlich. Wenden Sie sich für nähere Informationen hierzu an Ihren Fachhändler.

## 5-3. Ursache von problemen, die bei der Einrichtung auftreten

Ursache des Problems	Ursache	Aktion
Das Innengerät wird nicht gefunden.	Das Innengerät und das Außengerät wurden nicht eingeschaltet.	Stellen Sie sicher, dass alle Innengeräte und Außengeräte eingeschaltet sind.
	Die Innen- und Außengeräte werden initialisiert, und es nicht möglich, mit ihnen zu kommunizieren. LINK(Uh) LED blinkt überhaupt nicht	Stellen Sie sicher, dass alle Innengeräte und Außengeräte eingeschaltet sind. Stellen Sie sicher, dass sie mindestens 10 Minuten eingeschaltet waren.
	Die Uh Line-Kabel haben sind falsch angeschlossen worden.	Schließen Sie die Kabel richtig an.
	Die zentrale Steueradresse ist in den Innengeräten nicht eingestellt worden.	Stellen Sie sicher, dass die zentrale Steueradresse in den Innengeräten eingestellt worden ist.
Die in den Innengeräten eingestellten zentralen Steueradressen sind nicht unverwechselbar.	Die gleiche zentrale Steueradresse ist in mehreren Innengeräten eingestellt worden.	Stellen Sie sicher, dass die zentrale Steueradresse richtig in den Innengeräten eingestellt worden ist.

# 6 Ausschalten der BN-Schnittstelle

Drücken Sie die Herunterfahren-Taste, und warten Sie 5 Minuten vor dem Ausschalten.

### VORSICHT

Da der Klimagerät-Suchmodus aktiviert wird, wenn die Herunterfahren-Taste 4 Sekunden oder länger gedrückt wird, halten Sie die Taste nicht gedrückt.

# Indice

---



Precauzioni per la sicurezza .....	38
Introduzione .....	39
1 Installazione .....	41
2 Collegamenti di alimentazione e di comunicazione .....	43
3 Impostazioni .....	45
3-1. Impostazione degli interruttori .....	45
3-2. LED .....	46
4 Impostazioni di fabbrica .....	46
5 Prova di funzionamento .....	47
5-1. Impostazione della comunicazione BACnet .....	47
5-2. Impostazione dei dati nelle unità interne .....	48
5-3. Cause di eventuali problemi durante l'impostazione .....	48
6 Spegnimento dell'interfaccia BN .....	48

## Precauzioni per la sicurezza

È necessario rispettare le istruzioni che seguono.

- Leggere attentamente queste "Precauzioni per la sicurezza" prima dell'installazione, ed eseguire il lavoro di installazione in condizioni di sicurezza.
- Queste precauzioni contengono importanti informazioni sulla sicurezza.
- Una volta completata l'installazione, eseguire una prova di funzionamento e accertare che non vi siano problemi, e spiegare al cliente come utilizzare il sistema ed eseguirne la manutenzione. Chiedere al cliente di conservare questo Manuale d'installazione.

### Dicitura



 <b>Avvertenza</b>	Questa dicitura indica che la mancata osservanza delle istruzioni riportate può provocare gravi lesioni fisiche (*1) o la morte, se il prodotto viene utilizzato in modo errato.
 <b>Attenzione</b>	Questa dicitura indica che la mancata osservanza delle istruzioni riportate può provocare gravi lesioni fisiche (*2) o danni materiali (*3), se il prodotto viene utilizzato in modo errato.

\*1: Per gravi lesioni fisiche si intendono la perdita della vista, ferite, ustioni, scosse elettriche, fratture ossee, intossicazione e altre lesioni che possono avere effetti a lungo termine e richiedere il ricovero in ospedale o cure prolungate.

\*2: Per lesioni fisiche si intendono ferite, ustioni, scosse elettriche e altre lesioni che non richiedono il ricovero in ospedale né cure prolungate.

\*3: Per danni materiali si intendono danni a edifici, beni presenti all'interno delle abitazioni e lesioni a bestiame e animali domestici.

### Simboli grafici

 Azione vietata	"⊘" indica un divieto. L'oggetto del divieto è indicato nell'immagine o nel testo presente all'interno o accanto al simbolo grafico.
 Azione obbligatoria	"!" indica un obbligo. L'oggetto dell'obbligo è indicato nell'immagine o nel testo presente all'interno o accanto al simbolo grafico.

## Avvertenza



- **Installazione e reinstallazione devono essere eseguite dal rivenditore o da un elettricista qualificato**  
Il tentativo di eseguire l'installazione da sé, e l'eventuale installazione scorretta risultante, possono provocare scosse elettriche o incendi.
- **Gli interventi sull'impianto elettrico devono essere eseguiti da un elettricista qualificato, secondo le istruzioni del presente manuale d'installazione. Si devono rispettare le normative locali, nazionali e internazionali applicabili.**  
I lavori eseguiti in modo scorretto possono provocare scosse elettriche o incendi.
- **Disinserire l'alimentazione elettrica prima di iniziare il lavoro**  
La mancata osservanza di questa precauzione può provocare scosse elettriche.
- **Usare esclusivamente l'adattatore di alimentazione fornito con l'unità**  
Adattatori diversi possono fornire una tensione di alimentazione diversa e/o avere le polarità (+) (-) invertite con conseguente pericolo d'incendio, esplosione o surriscaldamento.



- **Non modificare l'unità**  
Ciò potrebbe provocare calore eccessivo o incendio.

### Avvertenza

Questo è un prodotto di classe A. In un ambiente domestico questo prodotto può provocare interferenze radio nel qual caso l'utente deve prendere adeguate contromisure.

IT

# Introduzione

## ■ Panoramica

L'interfaccia BN indica l'apparecchiatura utilizzata per controllare sistemi di gestione edifici (approvvigionati in loco) e condizionatori d'aria di "modelli compatibili con TU2C-LINK Uh Line (d'ora in avanti indicata come Uh Line)" tramite le comunicazioni effettuate attraverso una rete per abilitare il controllo centrale.

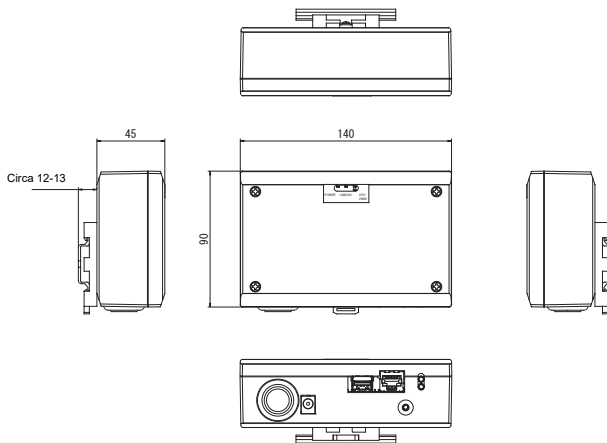
## ■ Componenti inclusi

Componente	Q.tà	Note
Interfaccia BN	1	
Adattatore di alimentazione	1	Per l'alimentazione dell'interfaccia BN (modello: UI318-0526) (Escluso il cavo di alimentazione)
Spinotto	2	Connettori Uh Line sigillati
Staffa di montaggio (guida DIN)	1	Per fissare l'unità senza guida DIN, ad esempio su una parete, usare le viti
Viti M4 x 12	2	Per fissare la guida DIN
Piedino di gomma	4	Per installare l'unità orizzontalmente
Viti M3 x 8	4	Per fissare i piedini di gomma all'unità
Contratto di licenza	1	
Informazioni sulla licenza	1	
Fascetta	1	

## ■ Caratteristiche tecniche

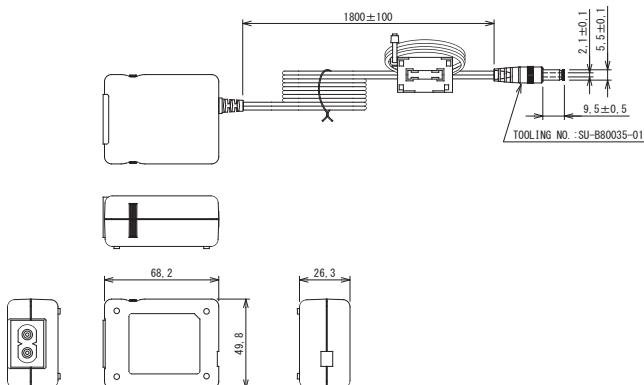
Alimentazione elettrica	Tensione nominale	220-240 VCA - 50/60 Hz
	Consumo elettrico	3 W
Temperature d'esercizio	Da 0 a 40°C, umidità relativa da 10 a 80% (non condensante)	
Temperature d'immagazzinamento	Da -10 a +60°C, umidità relativa da 10 a 90% (non condensante)	
Dimensioni	Larghezza 140 mm x Altezza 90 mm x Profondità 45 mm	
Peso	Interfaccia BN: 260 g Adattatore di alimentazione: 140 g	

## ■ Vista esterna dell'interfaccia BN





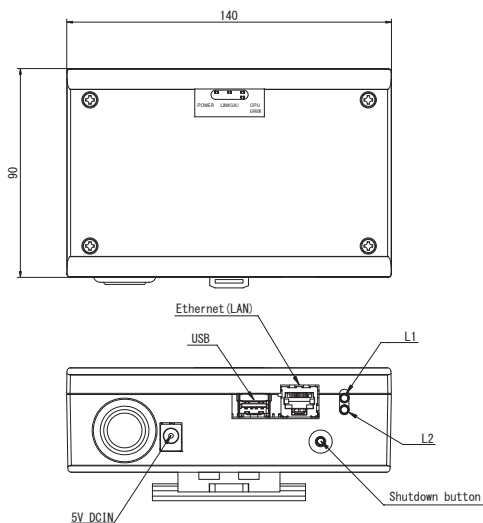
(Adattatore di alimentazione)



**REQUISITO**

L'interfaccia BN viene fornita senza cavo di alimentazione. Utilizzarne uno a due conduttori conforme allo standard vigente nel paese d'utilizzo.

**Nome delle parti**



Nome	Funzione
5V DCIN	Connessione dell'adattatore di alimentazione
USB	(Per il servizio d'assistenza)
Ethernet (LAN)	Connessione al sistema di gestione edificio
Shutdown button	Spegne l'unità o attiva il modo di ricerca condizionatori
L1	Indicatore di stato della comunicazione BACnet
L2	Indicatore di stato della comunicazione BACnet e degli errori d'impostazione



# 1 Installazione

## REQUISITO

L'apparecchio non deve essere installato.

- In luoghi umidi
- In luoghi polverosi
- In luoghi esposti direttamente alla luce solare
- Entro un metro da televisori o apparecchi radio
- In luoghi battuti dalla pioggia (all'esterno, sotto le grondaie e così via)

## ■ Installazione e orientamento dell'interfaccia BN

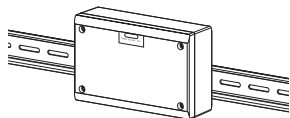
L'interfaccia può essere installata su una guida DIN, oppure direttamente a una parete o su una superficie orizzontale, nei possibili modi qui oltre mostrati.

Per installarla su una parete usare la staffa fornita in dotazione.

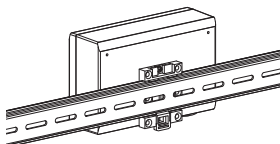
### (1) Installazione su guida DIN

L'installazione su guida DIN è normalmente prevista nei quadri o negli armadi elettrici.

Vista anteriore



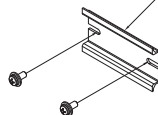
Vista posteriore



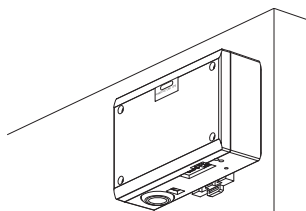
### (2) Installazione a parete

Con le viti fissare la guida DIN a una parete e su tale guida installare l'interfaccia.

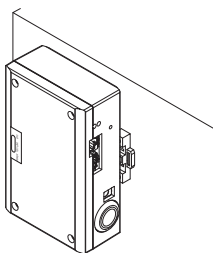
Guida DIN in dotazione



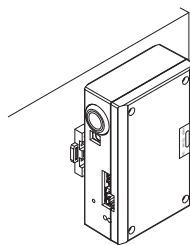
### Installazione a parete tipo A



### Installazione a parete tipo B

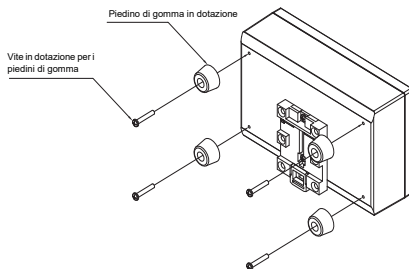
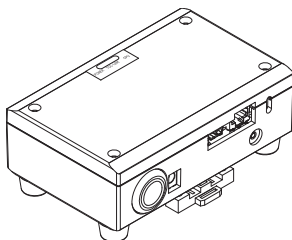


### Installazione a parete tipo C



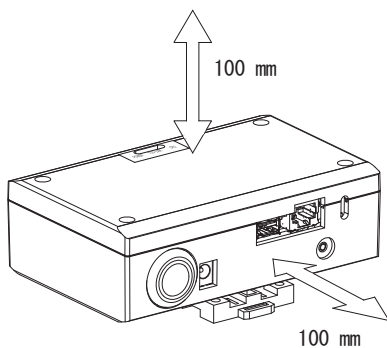
### (3) Installazione orizzontale

Prima di fissare l'interfaccia su una superficie orizzontale, con le viti fissare i piedini di gomma.



## ■ Spazio d'installazione e per manutenzione

Prima dell'installazione, lasciare uno spazio laterale per il collegamento degli ingressi dei cavi e uno spazio superiore per la manutenzione. Gli altri lati possono essere adiacenti agli oggetti circostanti.



# 2 Collegamenti di alimentazione e di comunicazione

## ■ Cavi

Per il collegamento della linea del segnale usare i seguenti cavi. (da approvvigionare in loco)

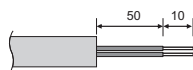
N.	Linea	Descrizione	
		Tipo	
1	Connessione Uh Line	Tipo	Cavo schermato a due conduttori
		Dimensioni del cavo	1,25 mm <sup>2</sup> , massimo 1000 m
		Lunghezza	2,00 mm <sup>2</sup> , massimo 2000 m
2	Connessione Ethernet®	Tipo	Cavo LAN (di categoria superiore a 5, tipo UTP)
			A seconda del sistema in uso si deve utilizzare un cavo dritto oppure uno incrociato
		Lunghezza	Massimo 100 m

Ethernet® è un marchio depositato di Xerox Co., Ltd.

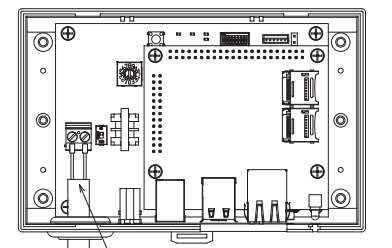
## ■ Collegamento dei cavi

Collegare i cavi ai connettori specificati.

Lunghezza della parte di cavo di comunicazione Uh Line spelata

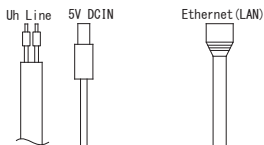
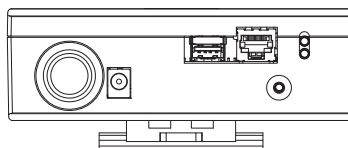


Applicare gli spinotti al cavo di comunicazione Uh Line.



Condizionatore d'aria

Il cavo di comunicazione Uh Line deve essere collegato alla terra sul condizionatore.  
Non collegarlo al connettore. Deve essere spelato e isolato.



Collegare i cavi di comunicazione Uh Line

Collegare l'adattatore di alimentazione in dotazione

Collegare il cavo LAN

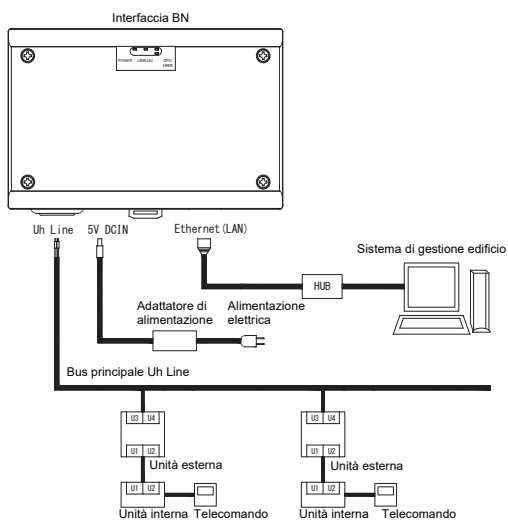
### ATTENZIONE

Il cavo di comunicazione Uh Line non è polarizzato.



\* Con la fascetta fornita in dotazione assicurare il cavo di comunicazione Uh Line e il cavo di alimentazione al quadro o all'armadio elettrico in modo che non vi gravi un carico eccessivo.

## ■ Esempio di connessione dei cavi del sistema

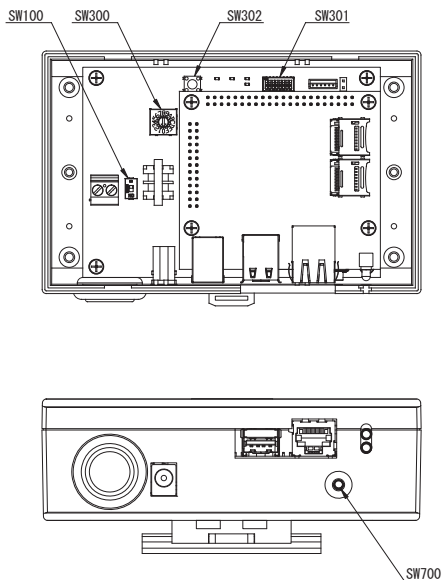


# 3 Impostazioni

## 3-1. Impostazione degli interruttori

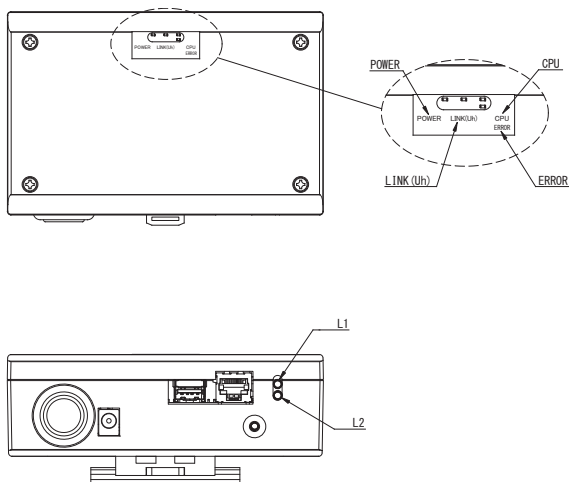
- SW300 Non utilizzato
- SW301 Prova di funzionamento  
Impostare tutti i bit nella posizione "OFF".
- SW302 Pulsante di prova  
Non utilizzato durante il funzionamento normale.
- SW100 Selezione della resistenza di terminazione Uh Line  
Applicare la resistenza sul lato condizionatore. Impostare quindi l'interruttore SW100 nella posizione "OFF".
- SW700 Pulsante di spegnimento condizionatore e del modo di ricerca condizionatori  
Con questo pulsante si arresta il processo BACnet e il processo di rete dell'interfaccia BN, oppure si avvia il sistema nel modo di ricerca condizionatori. La funzione del pulsante cambia secondo la durata della sua pressione.

Durata della pressione del pulsante	Funzionamento
Meno di 4 secondi	Arresta il processo BACnet e il processo di rete dell'interfaccia BN.
4 secondi o più	Avvia l'impianto di condizionamento nel modo di ricerca condizionatori. Con questo modo si possono impostare i dati nelle unità interne.



### 3-2. LED

LED	Colore del LED	Utilizzo
POWER	Rosso	Indicatore di alimentazione
LINK(Uh)	Arancione	Indicatore di stato della comunicazione Uh Line
ERROR	Rosso	Indicatore di errore della comunicazione Uh Line
CPU	Verde	Indicatore di stato della comunicazione dell'interfaccia BN
L1	Verde	Indicatore di stato della comunicazione BACnet
L2	Rosso	Indicatore di stato della comunicazione BACnet e degli errori d'impostazione



## 4 Impostazioni di fabbrica

N.	Elemento	Impostazione di fabbrica
1	Indirizzo IP	Indirizzo IP 192.168.1.100 Maschera di sottorete 255.255.255.0
2	Porta UDP	47808 (0xBAC0)
3	Numero d'istanza del dispositivo target	100
4	Interruttore d'impostazione indirizzo	1
5	Interruttore funzionamento di prova	Tutto OFF
6	Interruttore di selezione della resistenza di terminazione Uh Line	OFF



# 5 Prova di funzionamento

Per effettuare la prova di funzionamento dell'interfaccia BN è innanzi tutto necessario impostare la comunicazione BACnet e i dati nelle unità interne collegate.

Voci da impostare durante il collaudo

Equipaggiamento	Voce		Metodo di impostazione		
Unità esterna	Indirizzo Uh Line	Indirizzo di linea	Utilizzare l'interruttore DIP sulla scheda di circuito dell'unità esterna.		
Unità interna	Indirizzo Uh Line	Indirizzo di linea	Utilizzare la funzione di impostazione indirizzo del telecomando a filo. (Tranne che per il telecomando a filo semplice)		
		Indirizzo dell'unità			
		Indirizzo di controllo centrale			
		Indirizzo di gruppo			
Interfaccia BN	Indirizzo IP	Indirizzo IP	Utilizzare Setting File Creation Software 2. (Vedere la Sezione 5-1.)		
		Maschera di rete			
	Numero di identificazione del dispositivo di comunicazione BACnet	Numero di istanza di oggetto del dispositivo BACnet		Impostazione della vecchia interfaccia BN	
					Impostazione per l'uso combinato con il vecchio controller
	Durante l'uso insieme a un dispositivo di controllo centrale non compatibile con Uh Line	Impostazione della vecchia interfaccia BN		Impostazione per l'uso combinato con il vecchio controller	
					Impostazione per l'uso combinato con il vecchio controller
	Quando si sostituisce con un'interfaccia BN che non supporta Uh Line	Impostazione della vecchia interfaccia BN		Impostazione della vecchia interfaccia BN	
					Impostazione della vecchia interfaccia BN
	Informazioni sull'unità interna (Valori di impostazione del codice DN)			Indirizzo di linea	Quando si esegue l'operazione di configurazione (vedere la Sezione 5-2), l'interfaccia BN legge i valori impostati dall'unità interna e li registra sulla scheda SD dell'interfaccia BN. Eseguire l'operazione di configurazione dopo aver cambiato le informazioni dispositivo dell'unità interna.
				Indirizzo dell'unità	
				Indirizzo di controllo centrale	
				Indirizzo di gruppo	
				Intervallo di impostazione della modalità di funzionamento	
Intervallo di impostazione della temperatura					
Intervallo di impostazione della velocità del ventilatore					
Tipo di aletta					
Intervallo di impostazione della quantità di ventilazione					
Intervallo di impostazione della modalità di ventilazione					
Disponibilità del funzionamento della ventilazione					
Disponibilità della funzione di salvataggio					

## 5-1. Impostazione della comunicazione BACnet

Impostare l'indirizzo IP dell'interfaccia BN e il numero d'istanza del dispositivo target. Queste impostazioni sono effettuabili da Setting File Creation Software 2. Per maggiori informazioni a questo riguardo si prega di rivolgersi al proprio rivenditore.



## 5-2. Impostazione dei dati nelle unità interne

È innanzi tutto necessario ottenere per mezzo del cavo di comunicazione Uh Line i dati delle unità interne controllate dall'interfaccia BN.

Preparazione all'impostazione dei dati nelle unità interne

- Impostare l'indirizzo di controllo centralizzato nelle unità interne da controllare. Per istruzioni a questo riguardo si rimanda al manuale d'installazione di ciascuna unità.
- Accendere tutte le unità interne ed esterne. 10 minuti dopo l'accensione procedere nel modo qui di seguito descritto.

Impostazione

- Accendere l'interfaccia BN.
- Dopo 10 minuti dall'accensione dell'interfaccia BN premere per almeno 4 secondi il tasto di spegnimento. Il L1 LED si accende.
- Dopo l'attivazione dell'interfaccia BN iniziare a leggere i dati dell'unità d'interfaccia. Durante questa fase sull'interfaccia BN il L1 LED è acceso mentre il L2 LED lampeggia.
- Al termine della lettura delle unità interne l'interfaccia BN si riavvia automaticamente predisponendosi per la comunicazione BACnet. Il L1 LED dell'interfaccia BN lampeggia.
- Al termine della preparazione della comunicazione BACnet il L1 LED e il L2 LED dell'interfaccia BN iniziano a lampeggiare.
- Se durante la lettura dei dati dalle unità interne o durante la preparazione della comunicazione BACnet si dovesse verificare un errore, il L1 LED e il L2 LED dell'interfaccia BN si accenderebbero di luce fissa.

La causa dell'errore può essere determinata solo con strumenti tecnici. Per maggiori informazioni a questo riguardo si prega di rivolgersi al proprio rivenditore.

## 5-3. Cause di eventuali problemi durante l'impostazione

Causa del problema	Causa	Rimedio
Non è stato possibile trovare le unità interne.	Le unità interne ed esterne non sono accese.	Accendere le unità interne ed esterne.
	Non è possibile comunicare con le unità interne ed esterne perché ne è in corso l'inizializzazione. Il LED LINK(Uh) non lampeggia	Accendere le unità interne ed esterne. Lasciarle in funzione per almeno 10 minuti.
	I cavi Uh Line non sono stati collegati correttamente.	Collegarli correttamente.
	Nelle unità interne non è stato impostato l'indirizzo di controllo centrale.	Assicurarsi che l'indirizzo di controllo centrale sia stato impostato nelle unità interne.
L'indirizzo di controllo centralizzato impostato nelle unità interne non è unico.	Lo stesso indirizzo di controllo centrale è stato impostato in un certo numero di unità interne.	Assicurarsi che l'indirizzo di controllo centrale sia stato correttamente impostato nelle unità interne.

# 6 Spegnimento dell'interfaccia BN

Premere il tasto di spegnimento e attendere 5 minuti prima dell'effettivo spegnimento.

### ATTENZIONE

Non premere il pulsante di spegnimento per 4 o più secondi, poiché in tal caso si attiverebbe il modo di ricerca condizionatori.

## Manufacturer / Importer

Name of manufacturer ( 制造商 )

**Toshiba Carrier Corporation**

东芝开利株式会社

Address, city, country ( 住址 )

72-34 Horikawa-cho, Saiwai-ku, Kawasaki-shi, Kanagawa-ken

212-0013, JAPAN

神奈川県川崎市幸区堀川町 72 番地 34

Name of the Importer/Distributor in EU

Toshiba Carrier EUROPE S.A.S

Address, city, country

Route de Thil 01120 Montluel FRANCE

Name of the Importer/Distributor in UK

Toshiba Carrier UK Ltd

Address, city, country

Porsham Close, Belliver Industrial Estate,

PLYMOUTH, Devon, PL6 7DB. United Kingdom

在中国的进口商 / 分销商名称

东芝开利空调销售(上海)有限公司

地址, 城市, 国家

上海市西藏中路 268 号来福士广场办公楼 501 室



# **Toshiba Carrier Corporation**

336 TADEHARA, FUJI-SHI, SHIZUOKA-KEN 416-8521 JAPAN

DEC0209150