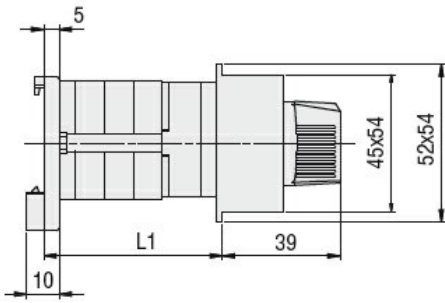


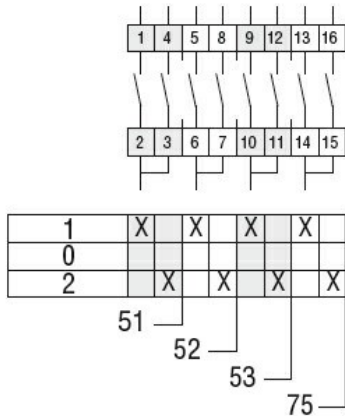
| | | | | |
|---|----------|----|------|--|
| Product designation | | | | Rotary cam switches |
| Product type designation | | | | GF20 |
| General characteristics | | | | |
| Switching diagram | | | | 53 - Changeover switch 3 poles - 2 speed motor starting with separate windings |
| N° of elements | | | | 3 |
| Mounting form | | | | O48 - Modular service cover for 35mm din rail mounting with black handle |
| Contact characteristics | | | | |
| Rated insulation voltage U_i | IEC/EN | V | 480 | |
| | UL/CSA | V | 240 | |
| Rated impulse withstand voltage U_{imp} | | kV | 4 | |
| Conventional free air thermal current I_{th} | IEC/EN | A | 20 | |
| | UL/CSA | A | 15 | |
| Rated operational voltage | | V | 480 | |
| Rated operational impulse voltage | | kV | 4 | |
| Maximum fuse size for short-circuit protection I_n (gG) | 10kA | A | 20 | |
| | 15kA | A | 20 | |
| | 25kA | A | 20 | |
| Rated short time current I_{cw} | 1s | A | 250 | |
| Conductivity | | | | 10/5 mA/V |
| Operational current I_e IEC/EN | | | | |
| AC1/AC21A | | A | 20 | |
| AC15 | 110V | A | 10 | |
| | 220/230V | A | 8 | |
| | 380/400V | A | 6 | |
| Rated operational power in AC | | | | |
| Three-phase AC-3 | 220/230V | kW | 3 | |
| | 380/440V | kW | 5 | |
| Single-phase AC-3 | 110V | kW | 0.5 | |
| | 220/230V | kW | 1.5 | |
| | 380/440V | kW | 2 | |
| Three-phase AC23A | 220/230V | kW | 4 | |
| | 380/440V | kW | 7.5 | |
| Single-phase AC23A | 110V | kW | 0.75 | |
| | 220/230V | kW | 2 | |

| | | | | |
|--|--|----------|-----------------|-------------------|
| | | 380/440V | kW | 2.5 |
| Rated operational current in DC | | | | |
| DC21A | | 48V | A | 20 |
| | | 60V | A | 20 |
| | | 110V | A | 4 |
| | | 220V | A | 0.7 |
| | | 440V | A | 0.2 |
| DC13 | | 24V | A | 6 |
| | | 48V | A | 6 |
| | | 60V | A | 3 |
| | | 110V | A | 1 |
| | | 220V | A | 0.4 |
| | | 440V | A | 0.15 |
| Power dissipation | | | W | 0.8 |
| Mechanical features | | | | |
| Terminals screw | | | | M3 |
| Tightening torque for terminals max | | | Nm | 0.5 |
| Conductor size | | | | |
| AWG - Rigid cable | | min | AWG | 20 |
| | | Max | AWG | 12 |
| AWG - Flexible cable | | min | AWG | 20 |
| | | Max | AWG | 12 |
| Conductor size (IEC) - Flexible cable | | min | mm ² | 0.5 |
| | | Max | mm ² | 2.5 |
| Conductor size (IEC) - Rigid cable | | min | mm ² | 0.5 |
| | | Max | mm ² | 2.5 |
| Mechanical life | | | cycles | 1x10 ⁶ |
| UL technical data | | | | |
| Motor power for direct-on-line control | | | | |
| for three-phase motor | | 240V | HP | 3 |
| for single-phase motor | | 240V | HP | 1 |
| Ambient conditions | | | | |
| Temperature | | | | |
| Operating temperature | | min | °C | -25 |
| | | max | °C | +55 |
| Storage temperature | | min | °C | -40 |
| | | max | °C | +70 |
| Resistance & Protection | | | | |
| Frontal IP degree | | | | IP40 |
| Terminals IP degree | | | | IP20 |
| Dimensions | | | | |



| Series | L1 | | |
|--------|----|------|----|
| | 1 | 2 | 3 |
| GF20 | 40 | 53.5 | 67 |

Wiring diagrams



Certifications and compliance

Compliance

CSA C22.2 n° 14
IEC/EN/BS 60947-1
IEC/EN/BS 60947-3
IEC/EN/BS 60947-5-1
UL60947-4-1

Certificates

cULus
EAC

ETIM classification

ETIM 8.0

EC001029 -
Selector switch,
complete