



Product designation

Auxiliary
contactor
BG00

Product type designation

Contact characteristics

| | | |
|-----------------|-----|---|
| Number of poles | Nr. | 4 |
|-----------------|-----|---|

| | | |
|---------------------------------------|---|-----|
| Rated insulation voltage U_i IEC/EN | V | 690 |
|---------------------------------------|---|-----|

| | | |
|---|----|---|
| Rated impulse withstand voltage U_{imp} | kV | 6 |
|---|----|---|

| | | | |
|-----------------------|-----|----|-----|
| Operational frequency | min | Hz | 25 |
| | max | Hz | 400 |

| | | |
|--|---|----|
| IEC Conventional free air thermal current I_{th} | A | 10 |
|--|---|----|

| | | | |
|-----------------|----------|---|----|
| Protection fuse | gG (IEC) | A | 16 |
|-----------------|----------|---|----|

| | | | |
|---------------------------------|-----|------|-----|
| Tightening torque for terminals | min | Nm | 0.8 |
| | max | Nm | 1 |
| | min | lbin | 9 |
| | max | lbin | 9 |

| | | | |
|-------------------------------------|-----|------|-----|
| Tightening torque for coil terminal | min | Nm | 0.8 |
| | max | Nm | 1 |
| | min | lbin | 9 |
| | max | lbin | 9 |

| | | |
|--|-----|---|
| Max number of wires simultaneously connectable | Nr. | 2 |
|--|-----|---|

| | | |
|-------------------|-----------|----|
| Conductor section | AWG/Kcmil | |
| | max | 12 |

| | | | |
|------------------------------------|-----|-----------------|------|
| Flexible w/o lug conductor section | min | mm ² | 0.75 |
| | max | mm ² | 2.5 |

| | | | |
|------------------------------------|-----|-----------------|-----|
| Flexible c/w lug conductor section | min | mm ² | 1.5 |
| | max | mm ² | 2.5 |

| | | | |
|---|-----|-----------------|-----|
| Flexible with insulated spade lug conductor section | min | mm ² | 1.5 |
| | max | mm ² | 2.5 |

| | |
|---|--------------------------|
| Power terminal protection according to IEC/EN 60529 | IP20 when properly wired |
|---|--------------------------|

Mechanical features

| | | |
|--------------------|------------------|--------------------|
| Operating position | normal allowable | Vertical plan ±30° |
|--------------------|------------------|--------------------|

| | |
|--------|-----------------------|
| Fixing | Screw / DIN rail 35mm |
|--------|-----------------------|

| | | |
|--------|---|-----|
| Weight | g | 179 |
|--------|---|-----|

| | | | |
|--|---------------------------------|----------|----------|
| Conductor section | AWG/kcmil conductor section | | |
| | max | 12 | |
| Auxiliary contact characteristics | | | |
| Thermal current I _{th} | A | 10 | |
| IEC/EN 60947-5-1 designation | A600 - Q600 | | |
| Operating current AC15 | 230V | A | 3 |
| | 400V | A | 1.9 |
| | 500V | A | 1.4 |
| Operating current DC12 | 110V | A | 2.9 |
| Operating current DC13 | 24V | A | 2.9 |
| | 48V | A | 1.4 |
| | 60V | A | 1.2 |
| | 110V | A | 0.6 |
| | 125V | A | 0.55 |
| | 220V | A | 0.3 |
| | 600V | A | 0.1 |
| Operations | | | |
| Mechanical life | cycles | 20000000 | |
| Safety related data | | | |
| Performance level B10d according to EN/ISO 13489-1 | mechanical load | cycles | 20000000 |
| Mirror contacts according to IEC/EN 60947-4-1 | | | YES |
| EMC compatibility | | | yes |
| AC coil operating | | | |
| Rated AC voltage at 50/60Hz | V | 24 | |
| AC operating voltage | of 50/60Hz coil powered at 50Hz | | |
| | pick-up | | |
| | min | %Us | 75 |
| | max | %Us | 115 |
| | drop-out | | |
| | min | %Us | 20 |
| | max | %Us | 55 |
| | of 50/60Hz coil powered at 60Hz | | |
| | pick-up | | |
| | min | %Us | 80 |
| | max | %Us | 115 |
| | drop-out | | |
| | min | %Us | 20 |
| | max | %Us | 55 |
| AC average coil consumption at 20°C | of 50/60Hz coil powered at 50Hz | | |
| | in-rush | VA | 30 |
| | holding | VA | 4 |
| | of 50/60Hz coil powered at 60Hz | | |
| | in-rush | VA | 25 |
| | holding | VA | 3 |
| | of 60Hz coil powered at 60Hz | | |
| | in-rush | VA | 30 |

| | | | |
|---|---------|----|------|
| | holding | VA | 4 |
| Dissipation at holding $\leq 20^{\circ}\text{C}$ 50Hz | | W | 0.95 |

Max cycles frequency

| | | | |
|----------------------|--|----------|------|
| Mechanical operation | | cycles/h | 3600 |
|----------------------|--|----------|------|

Operating times

Average time for U_s control
in AC

| | | | |
|------------|-----|----|----|
| Closing NO | min | ms | 12 |
| | max | ms | 21 |
| Opening NO | min | ms | 9 |
| | max | ms | 18 |
| Closing NC | min | ms | 17 |
| | max | ms | 26 |
| Opening NC | min | ms | 7 |
| | max | ms | 17 |

in DC

| | | | |
|------------|-----|----|----|
| Closing NO | min | ms | 18 |
| | max | ms | 25 |
| Opening NO | min | ms | 2 |
| | max | ms | 3 |
| Closing NC | min | ms | 3 |
| | max | ms | 5 |
| Opening NC | min | ms | 11 |
| | max | ms | 17 |

UL technical data

General USE

Contactor

| | | |
|------------|---|----|
| AC current | A | 10 |
|------------|---|----|

| | |
|--|-------------|
| Contact rating of auxiliary contacts according to UL | A600 - Q600 |
|--|-------------|

Ambient conditions

Temperature

Operating temperature

| | | |
|-----|--------------------|-----|
| min | $^{\circ}\text{C}$ | -50 |
| max | $^{\circ}\text{C}$ | +70 |

Storage temperature

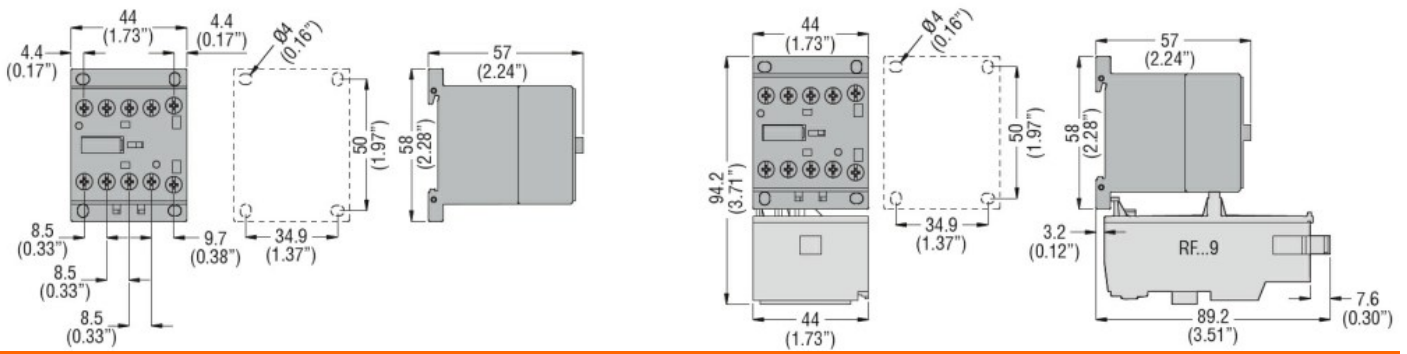
| | | |
|-----|--------------------|-----|
| min | $^{\circ}\text{C}$ | -60 |
| max | $^{\circ}\text{C}$ | +80 |

| | | |
|--------------|---|------|
| Max altitude | m | 3000 |
|--------------|---|------|

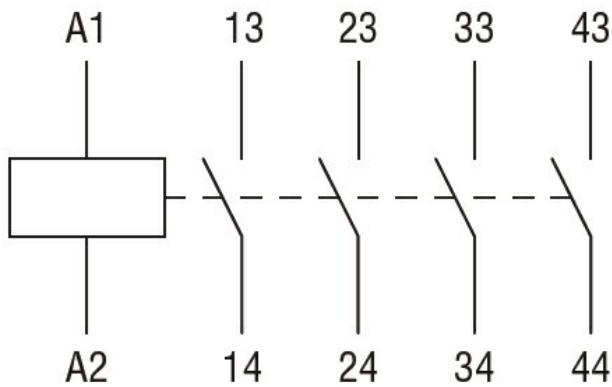
Resistance & Protection

| | |
|------------------|---|
| Pollution degree | 3 |
|------------------|---|

Dimensions



Wiring diagrams



Certifications and compliance

Compliance

- CSA C22.2 n° 60947-1
- CSA C22.2 n° 60947-5-1
- IEC/EN 60947-1
- IEC/EN 60947-5-1
- UL 60947-1
- UL 60947-5-1

Certificates

- cULus
- EAC

ETIM classification

ETIM 8.0

EC000196 -
Contactor relay