

Part number

# CHIX 32 LS



Bulkhead mounting housing, C-TYPE series, with 1 lever, size "77.62", with metal cover

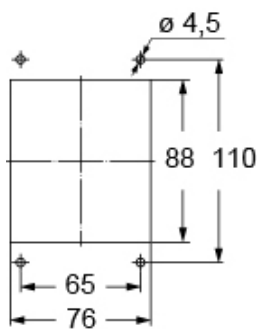
Product description		Material properties	
<b>Product type</b>	Bulkhead mounting housing	<b>Other materials</b>	Lever: Stainless steel Gasket: NBR
<b>Series</b>	C-TYPE	<b>Colour</b>	RAL 7040 grey
<b>Closing type</b>	With 1 lever	<b>RoHs conformity</b>	Compliant
<b>Size</b>	Size 77.62	<b>China RoHs - EFUP</b>	E
<b>Cable entry</b>	Without cable entry	<b>REACH SVHC substances</b>	No
<b>Specification</b>	With metal cover		
Technical data		Approvals / Standards	
<b>IP degree of protection</b>	IP65	<b>Certifications</b>	DNV, BV
Further technical details		<b>UL</b>	ECBT2
<b>Weight</b>	347,00 g	<b>cUL</b>	ECBT8
<b>Operating temperature range (min, max)</b>	-40°C...+125°C	General ordering information	
		<b>EAN13 code</b>	8015747267182
		<b>eCl@ss 8.1</b>	27440202
		<b>ETIM 7.0</b>	EC000437
		Packaging Information	
		<b>Packaging length</b>	270,00 mm
		<b>Packaging height</b>	130,00 mm
		<b>Packaging width</b>	135,00 mm
		<b>Packaging weight</b>	1,39 kg
		<b>Packaging volume</b>	4,74 dm <sup>3</sup>
		<b>Packaging description</b>	Carton box
		<b>Packaging quantity</b>	4 Pcs
		<b>Packaging EAN code</b>	8015747270434
		<b>Sub-packaging weight</b>	0,35 kg
		<b>Sub-packaging description</b>	Plastic packaging
		<b>Sub-packaging quantity</b>	1 Pcs
		<b>Sub-packaging EAN barcode</b>	8015747270441

Part number

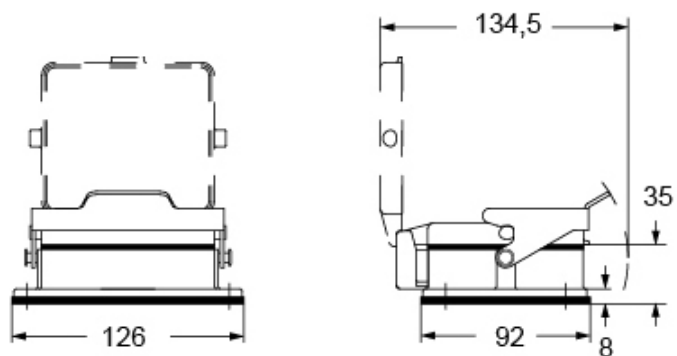
# CHIX 32 LS



Catalogue drawings



Catalogue drawings



## Notes

Dimensions shown in mm are not binding and may be changed without notice.