

**Fiche produit**

Article n° 91.952.3253.0

Connecteur GST15I5S S1 ZW1 W GN04



Article n°	91.952.3253.0
EAN	4049088321931
Unité de commande	50 Piece(s)

certificats/approbations


**Données techniques**
**général**

Courant nominal	13 A
Tension nominale	250 V / 400 V
Tension nominale d'impulsion	4 kV
Décharge de traction	Oui
Degré de pollution	2
Détrompeur mécanique	Code 6
emboîtable	auto-bloquant (déverrouillable par outil)
Couleur de codage / contact support	Vert claire
Marquage des pôles	1, 2, PE, 3, 4/N
Couleur du boîtier incluant la charge de traction	blanc

**données de connexion**

Diamètre du câble max.	11,5 mm
Diamètre du câble	6 mm
section du connecteur solide	2,5 mm <sup>2</sup>
section solide 2	0,5 mm <sup>2</sup>
pour les pièces à souder	2,5 mm <sup>2</sup>
Section multifilaire 2	0,5 mm <sup>2</sup>
termination par pôle	1
longueur de dénudage	32 mm
Longueur de la bande de fil	8 mm

**Model**

Model	Fiche
Type de connexion	Connexion à vis
Degré de protection (IP)	IP20

**matériel**

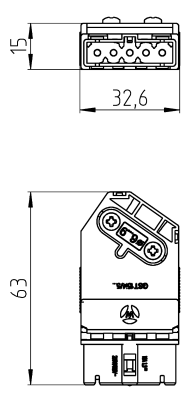
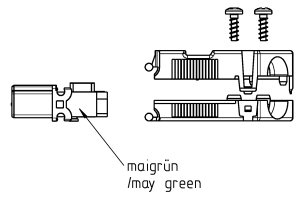

matière du boîtier	Polyamide
Sans halogène	Oui
matériau de contact	CuZn

résistance au feu	0,107 kWh
Isolation des composants à température continue	100 °C
Finition de surface	Plaqué argent

**Dimensions**

Longueur	63 mm
largeur	32,6 mm
hauteur	15 mm

**Dessin technique**

<div style="font-size: 8px;"> <p>1. This drawing is the property of Wieland Electric AG. It is not to be reproduced, stored in a retrieval system, or transmitted, in any form or by any means, electronic, mechanical, photocopying, recording, or by any information storage and retrieval system, without the prior written permission of Wieland Electric AG.</p> <p>2. This drawing is the property of Wieland Electric AG. It is not to be reproduced, stored in a retrieval system, or transmitted, in any form or by any means, electronic, mechanical, photocopying, recording, or by any information storage and retrieval system, without the prior written permission of Wieland Electric AG.</p> <p>3. This drawing is the property of Wieland Electric AG. It is not to be reproduced, stored in a retrieval system, or transmitted, in any form or by any means, electronic, mechanical, photocopying, recording, or by any information storage and retrieval system, without the prior written permission of Wieland Electric AG.</p> </div> 	<div style="text-align: center;"> <p><b>Auslieferungszustand</b> delivery status</p>  <p>maigrün /may green</p> </div> <div style="text-align: center; margin-top: 10px;"> <p>Verpackungseinheit: je 50 Stück packaging unit: per 50</p> </div> <table border="1" style="width: 100%; border-collapse: collapse; font-size: 8px;"> <tr> <td>91.952.3253.0</td> <td>GST1515 S S1 VZW1 W GN</td> <td>weiß/ white</td> </tr> <tr> <td>91.952.3253.1</td> <td>GST1515 S S1 VZW1 S GN</td> <td>schwarz/ black</td> </tr> <tr> <td>Bestellnummer order number</td> <td>Typ type</td> <td>Farbe Zugentlastung colour strain relief</td> </tr> <tr> <td colspan="2">Weitere Daten siehe KATALOG oder eKATALOG additional data see CATALOG or eKATALOG</td> <td>www.wieland-electric.com eshop.wieland-electric.com</td> </tr> </table>	91.952.3253.0	GST1515 S S1 VZW1 W GN	weiß/ white	91.952.3253.1	GST1515 S S1 VZW1 S GN	schwarz/ black	Bestellnummer order number	Typ type	Farbe Zugentlastung colour strain relief	Weitere Daten siehe KATALOG oder eKATALOG additional data see CATALOG or eKATALOG		www.wieland-electric.com eshop.wieland-electric.com
91.952.3253.0	GST1515 S S1 VZW1 W GN	weiß/ white											
91.952.3253.1	GST1515 S S1 VZW1 S GN	schwarz/ black											
Bestellnummer order number	Typ type	Farbe Zugentlastung colour strain relief											
Weitere Daten siehe KATALOG oder eKATALOG additional data see CATALOG or eKATALOG		www.wieland-electric.com eshop.wieland-electric.com											
<p>Tolerierung Size ISO 14.05 © / Tolerance system Size ISO 14.05 © (This ISO-standard describes the envelope principle. According to the envelope principle the deviations of form and parallelism are limited by the size tolerances.)</p> <p>Freitoleranz nach / General tolerance: AG - Zeichnung, keine manuellen Änderungen / Drawing, no manual modifications allowed</p> <p>Maße in mm / Dimensions are in mm</p> <table border="1" style="width: 100%; border-collapse: collapse; font-size: 8px;"> <tr> <td>Werkstoff / Material</td> <td>Tag/Date</td> <td>Name</td> <td>Zeichnung Nr. / Drawing No.</td> <td>Blatt / Sheet</td> <td>von / of</td> </tr> <tr> <td>1:1</td> <td>10.08.2015</td> <td>Nagengsst</td> <td>T 91.952.3253.0 13K</td> <td>a</td> <td>1</td> </tr> </table> <p>Erstellt / Created: 04.05.2017 / Index: 2017 / Blatt: 01/01 / Änderung / Revision</p> <div style="text-align: center;">  <p><b>STECKERTEIL_M_ZE</b> male connector with strain relief™ Universal mit PE/ universal with PE</p> </div>		Werkstoff / Material	Tag/Date	Name	Zeichnung Nr. / Drawing No.	Blatt / Sheet	von / of	1:1	10.08.2015	Nagengsst	T 91.952.3253.0 13K	a	1
Werkstoff / Material	Tag/Date	Name	Zeichnung Nr. / Drawing No.	Blatt / Sheet	von / of								
1:1	10.08.2015	Nagengsst	T 91.952.3253.0 13K	a	1								