



Product designation				Changeover Switch
Product type designation				GE
Number of poles	Nr.			3
Operating voltage type				AC
Contact characteristics				
IEC Conventional free air thermal current I _{th}	A			800
Rated insulation voltage U _i IEC/EN	V			1000
Rated impulse withstand voltage U _{imp}	kV			12
Operating current I _e				
AC21A	400V	A	800	
	500V	A	800	
	690V	A	800	
AC22A	400V	A	800	
	500V	A	800	
	690V	A	630	
AC23A	400V	A	630	
	500V	A	400	
Power dissipation per pole max	W			72
Rated operational power AC23A	400V	kW	315	
	690V	kW	272	
Rated short time current (1s) I _{cw} (rms)	kA			13
Conditional short-circuit current (rms)	kA			100
Short-circuit protection with fuse	Class/A			gG800
Making capacity AC23A 400V	A			8000
Mechanical life	cycles			10000
Electrical life AC21A	cycles			500 (AC23A 400V)
Mechanical features				
Operating position	normal allowable		Vertical plan Any	
Fixing	Screw			
Terminals	type screw		Bar M12	
Tightening torque for terminals	max	Nm	24	
	max	Ibin	18	
Bar dimensions max	40x5			
Ambient conditions				

Operating temperature

min	°C	-25
max	°C	55

Storage temperature

min	°C	-40
max	°C	70

Max altitude

m	3000
---	------

Resistance & Protection

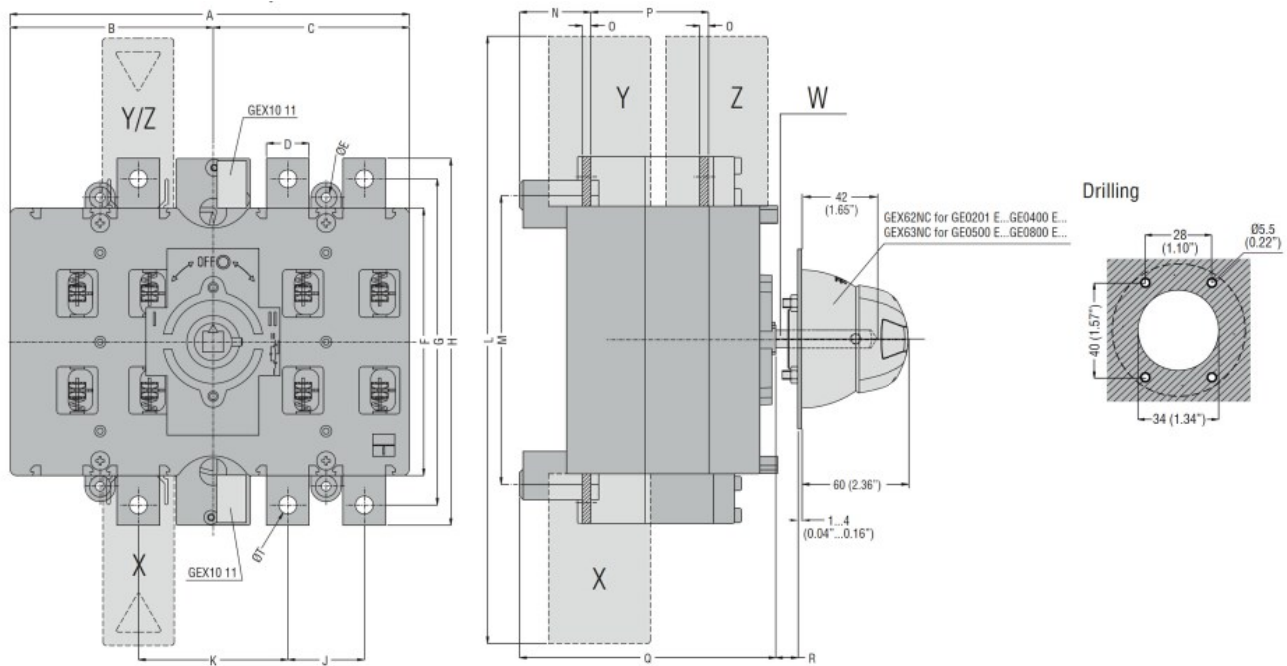
Frontal IP degree

IP20

Pollution degree

3

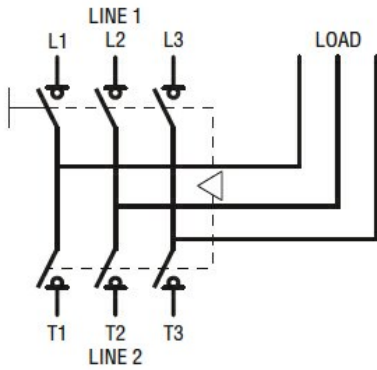
Dimensions



TYPE	A	B	C	D	ØE	F	G	H	J	K	L	M	N	O	P	Q	R Max	S	ØT	U	V	Shaft extension W	Terminal covers (N° of pcs/set)			
																							X (line 1)	Y (line 2)	Z (load)	
GE0201 E GE0250 E GE0315 E GE0400 E	235 (9.25")	119.5 (4.70")	115.5 (4.55")	25 (0.98")	5.5 (0.22")	157 (6.18")	192 (7.56")	216 (8.50")	45 (1.77")	88 (3.46")	357 (14.05")	170 (6.69")	42 (1.65")	3 (0.12)	67 (2.64")	151 (5.94")	437 (17.2")	143 (5.63")	M10	133 (5.24")	142 (5.59")	GEX7227N GEX7375N GEX7536N □ 10 (0.6")	GEX82 12 (3)	GEX82 11 (3)	GEX83 12 (3)	
GE0201 ET4 GE0250 ET4 GE0315 ET4 GE0400 ET4																								GEX82 13 (4)	GEX82 13 (4)	GEX83 12 (4)
GE0500 E GE0630 E GE0800 E	321 (12.63")	162 (6.38")	159 (6.26")	40 (1.57")	7 (0.27")	232 (9.13")	282 (11.10")	312 (12.28")	65 (2.56")	121 (4.73")	482 (18.98")	247 (9.72")	46 (1.81")	5 (0.20")	87 (3.42")	180 (7.09")	417 (16.42")	176 (6.93")	M12	186 (7.32")	171 (6.73")		GEX7195N GEX7345N GEX7535N □ 10 (0.6")	GEX82 22 (3)	GEX82 21 (3)	GEX83 21 (3)
GE0500 ET4 GE0630 ET4 GE0800 ET4																								GEX82 23 (4)	GEX82 23 (4)	GEX83 22 (4)

Wiring diagrams

GE0201 E - GE1600 E



Certifications and compliance

Compliance

IEC/EN 60947-1
 IEC/EN 60947-3

Certifications

EAC

ETIM classification

ETIM 8.0

EC000216 -
 Switch
 disconnecter