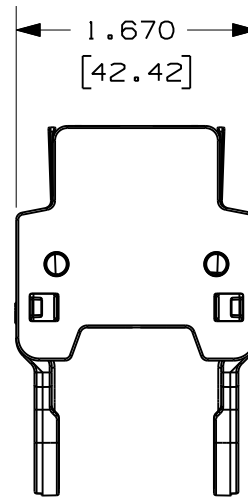
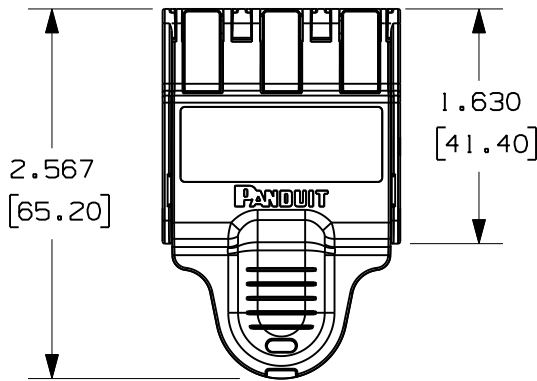
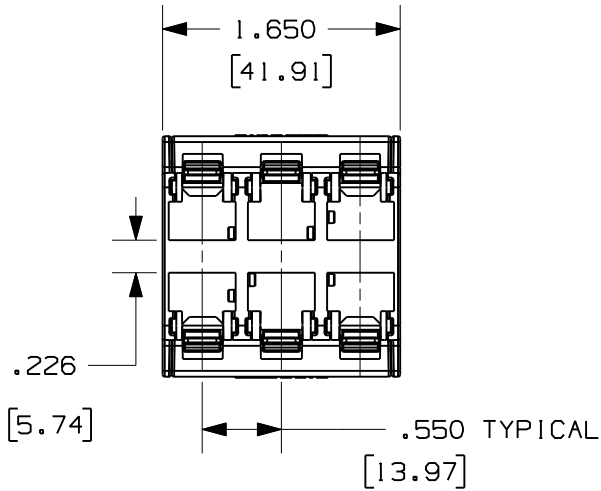


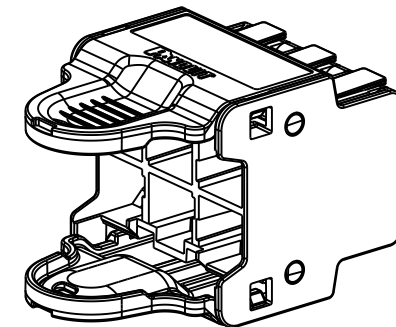
THIS COPY IS PROVIDED ON A RESTRICTED BASIS AND IS NOT TO BE USED IN ANY WAY DETRIMENTAL TO THE INTERESTS OF PANDUIT CORP.



PANDUIT PART NUMBER	COLOR	WEIGHT (APPROX)
QPPNR6S	SILVER	0.179 LB (81.2 g)

NOTES:

1. SEE CURRENT CATALOG FOR VARIOUS APPLICATIONS.
2. THE RECESSED PLUG PACK IS DESIGNED TO CONNECT TO A VARIETY OF SWITCHES.
3. DIMENSIONS IN BRACKETS ARE IN METRIC.
4. PART INCLUDES:
 - 1 - RECESSED 6 POSITION PLUG PACK
 - 1 - PLFIMA-C MARKER TIE
 - 1 - I.D. LABEL SET
5. MOVABLE PARTS ARE SILVER IN COLOR AND MOUNTED TO A CLEAR HOUSING.

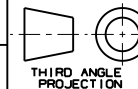


MODEL FILENAME	M03073AA/03	SIZE	A
DRAWING FILENAME	M03073AA_DC06/03A		

QUICKNET RECESSED 6 PACK
PLUG PACK CUSTOMER DRAWING

PANDUIT[®]
TINLEY PARK, IL 60487

ALL DIMENSIONS ARE GIVEN IN INCHES, UNLESS OTHERWISE SPECIFIED.
DIMENSIONAL TOLERANCES ARE:
(.X) ±.03 (.XXX) ±.005
(.XX) ±.01 ANGLES ± 1°



DRAWN BY MDJr	REVIEW DRAWING NUMBERS	I.I. NUMBER
	DATE 10-31-08	PRODUCT SPEC/ PKG SPEC
CHK'D WFM1	MAT'L ABS, ZINC	ASSY METHOD/ TEST METHOD
		SCALE .75 TO 1
		PART NO. QPPNR6S
		DRAWING NO. 03073-06

REV	DATE	BY	CHK	DESCRIPTION	ECN	R	CUST	SUP	OTH
I	1-26-12	BJN	JSP	B CHGD HSG FROM BLACK TO CLEAR A. P/N WAS QPPR6S	03073-06	JSP	JSP		
R	10-31-08	MDJr	WFM1	RELEASED FOR PRODUCTION	03073-06	JPMC			