

Part number

MHVW 16.32



Hood, W-TYPE series, with 4 pegs, M32 top cable entry, size "77.27"

Product description

Product type	Hood
Series	W-TYPE
Closing type	With 4 pegs
Size	Size 77.27
Cable entry	Top cable entry M32

Technical data

IP degree of protection IP65 / IP66 / IP69

Further technical details

Weight	125,00 g
Operating temperature range (min, max)	-40°C...+125°C

Material properties

Other materials	Gasket: FKM
Colour	RAL 9005 black
RoHs conformity	Compliant
China RoHs - EFUP	E
REACH SVHC substances	No

Approvals / Standards

Certifications	DNV, BV
UL	ECBT2
cUL	ECBT8

General ordering information

EAN13 code	8015747152815
eCl@ss 8.1	27440202
ETIM 7.0	EC000437

Packaging Information

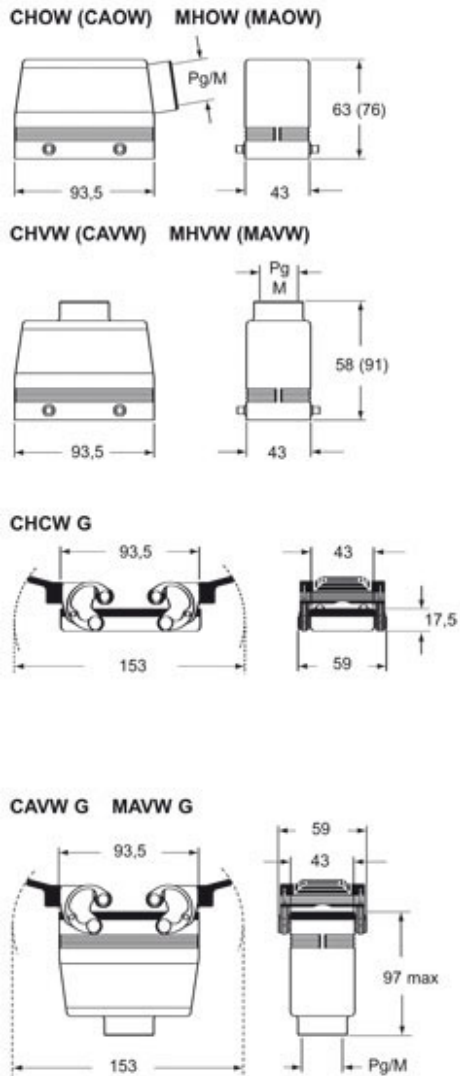
Sub-packaging weight	0,63 kg
Sub-packaging description	Plastic packaging
Sub-packaging quantity	5 Pcs
Sub-packaging EAN barcode	8015747194426

Part number

MHVW 16.32



Catalogue drawings



Notes

Dimensions shown in mm are not binding and may be changed without notice.