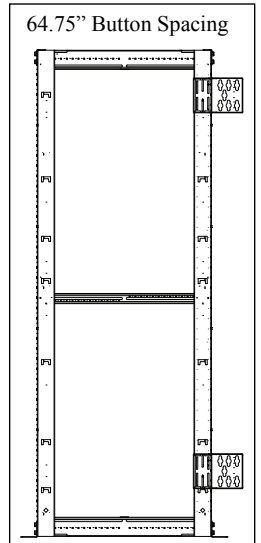
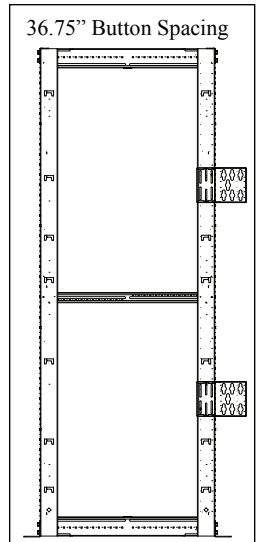
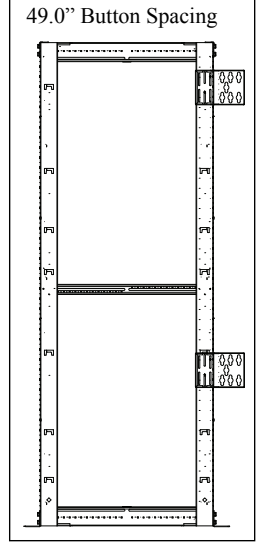
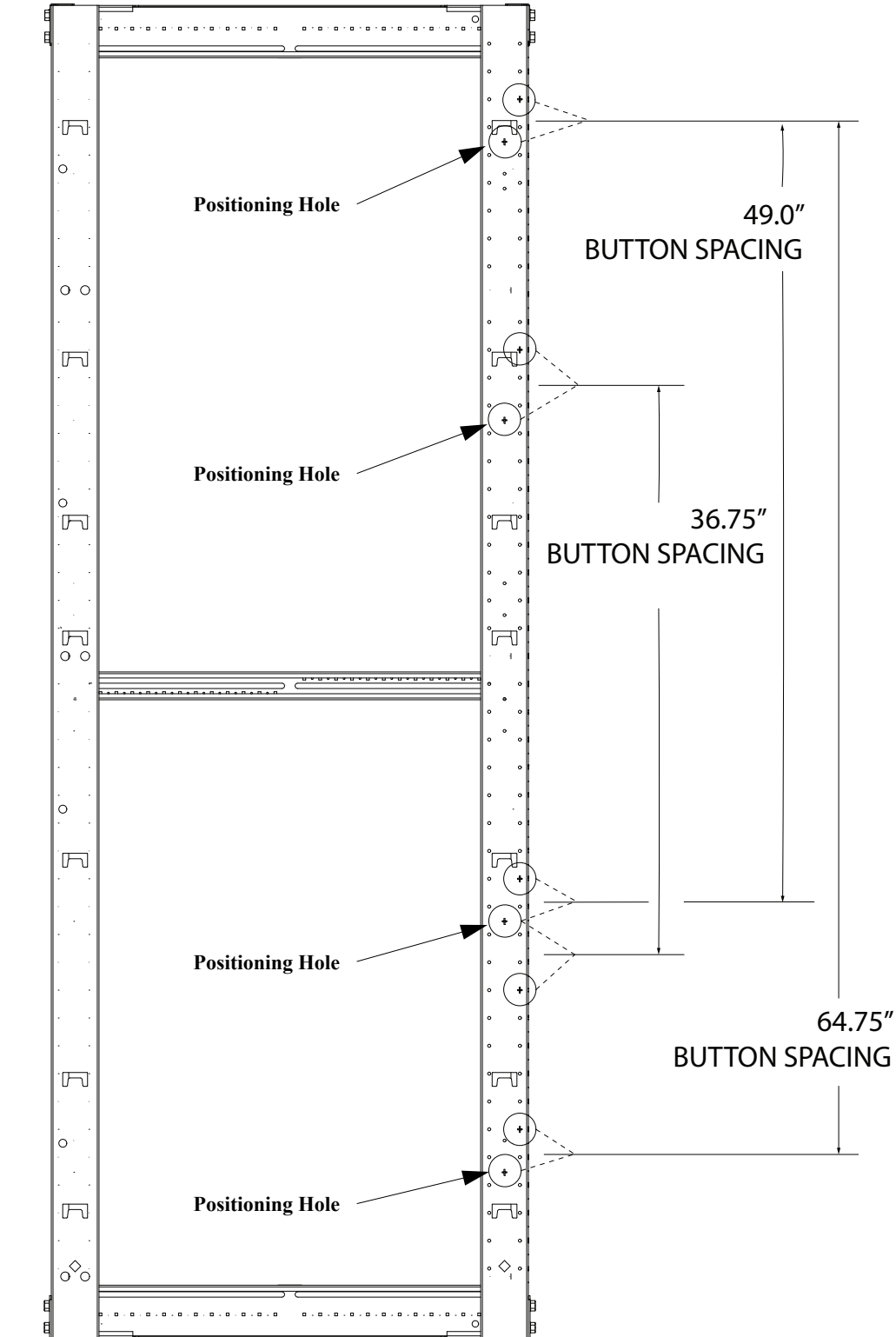


### INSTRUCTIONS CM344C

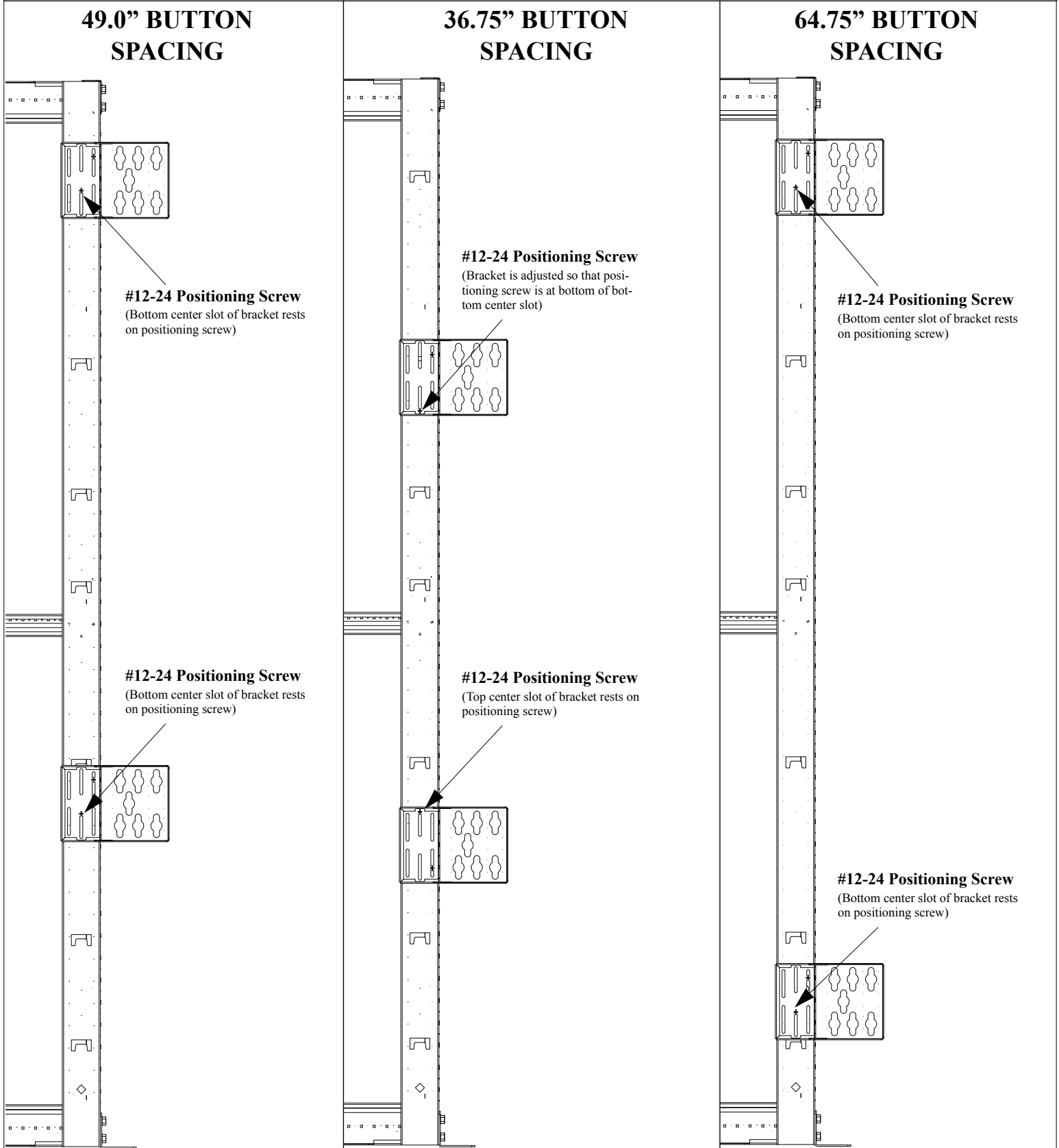
© Panduit Corp. 2016

## Power Outlet Unit (POU) Mounting Bracket Locations for Typical Tool-less Mounting Button Spacing



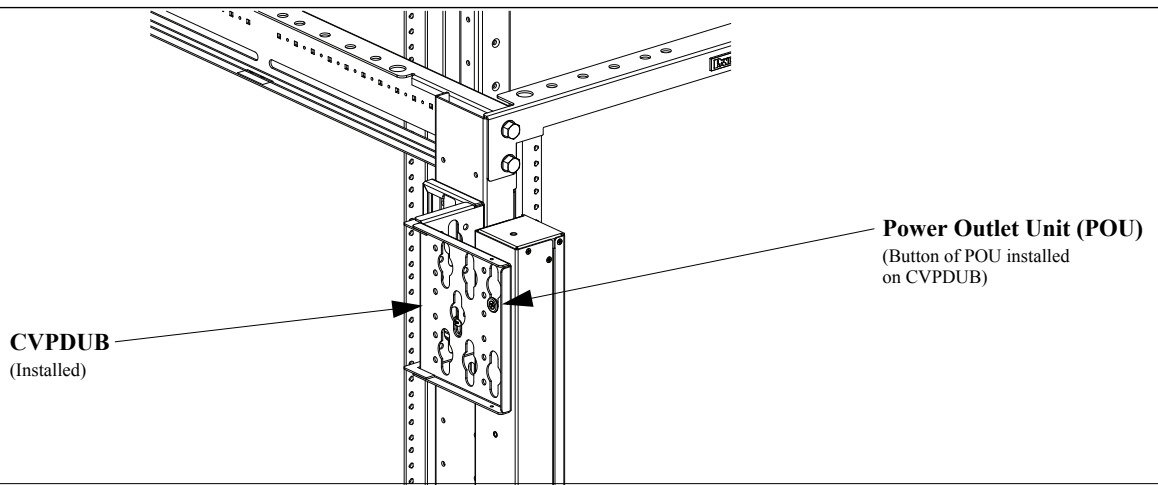
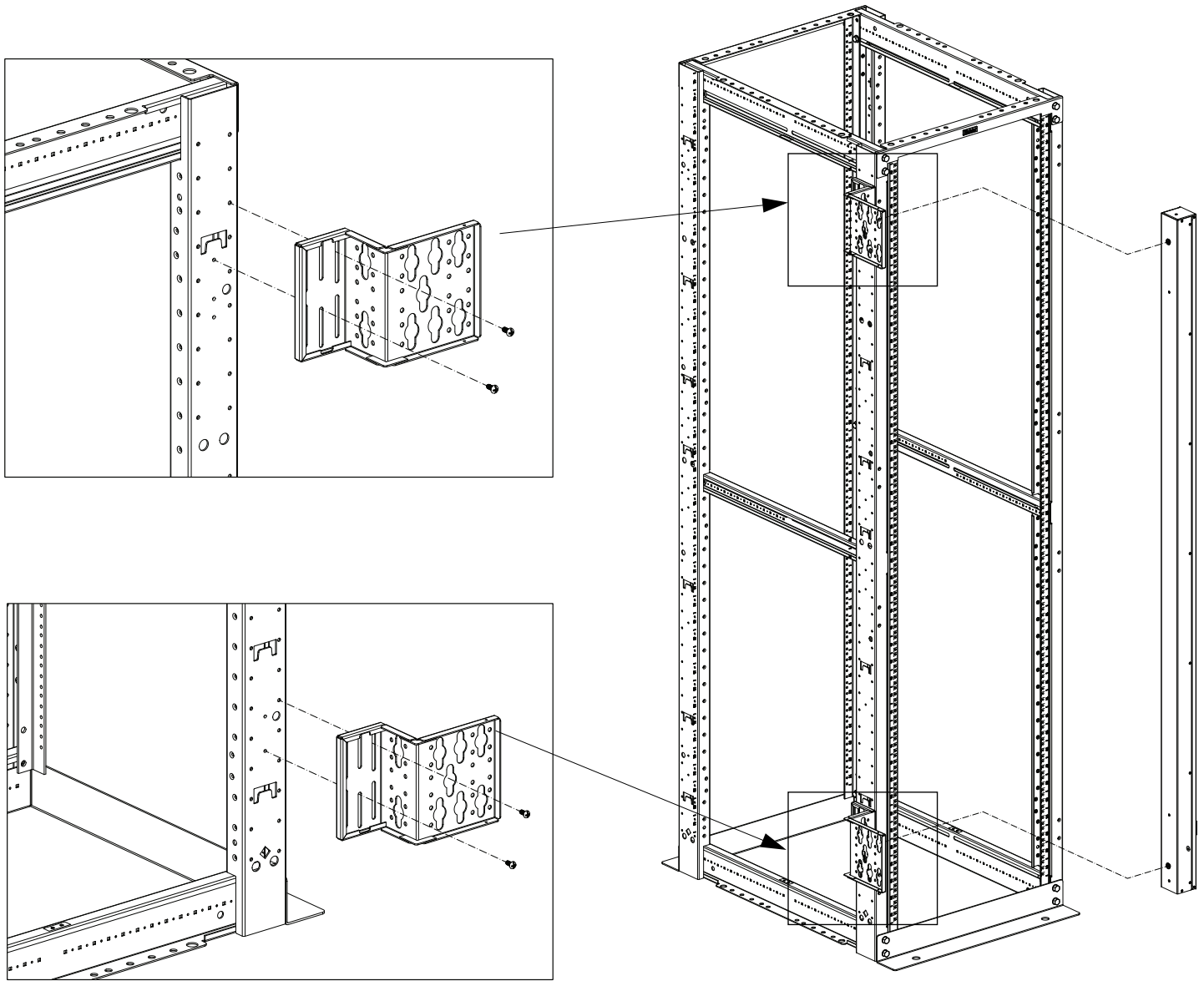
## Power Outlet Unit (POU) Mounting Bracket Locations

Note location of #12-24 positioning screw in each spacing scenario. Install the positioning screw first to help locate the bracket in the correct location and orientation relative to the cabinet frame. See page 3 for bracket and screw installation instructions.



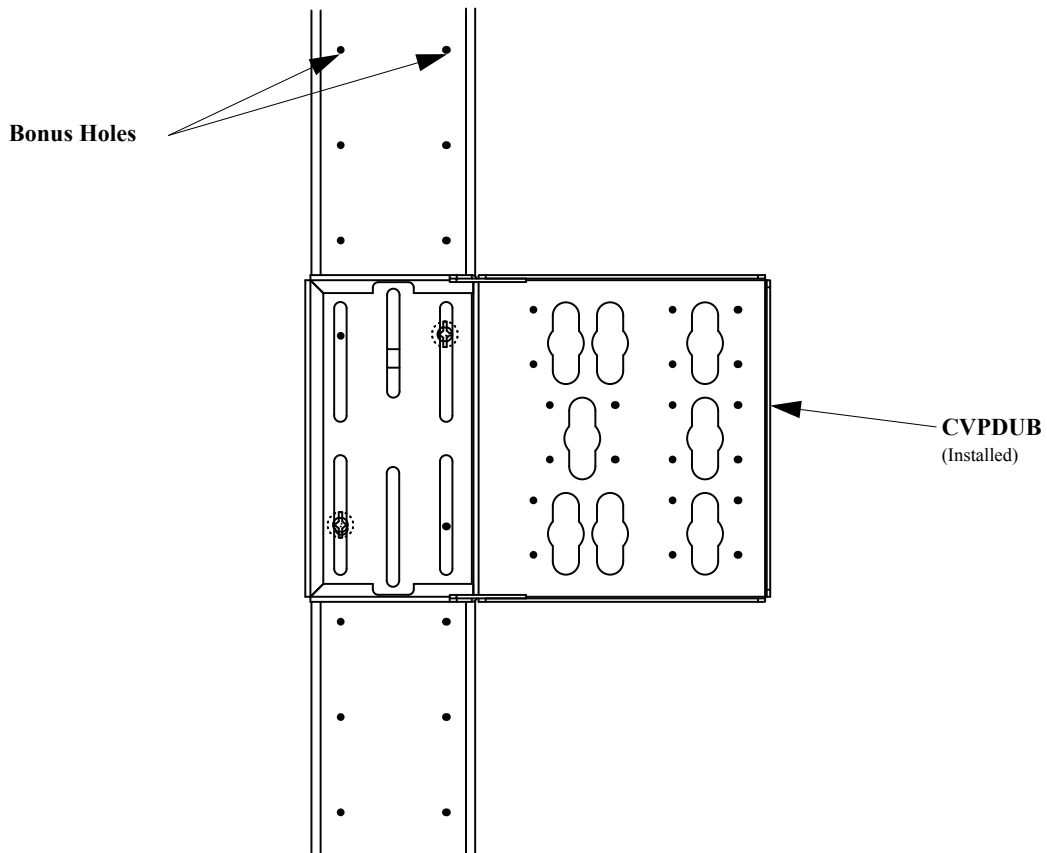
## Power Outlet Unit (POU) Mounting Bracket Installation (CVPDUB)

Use two (2) #12-24 trilobular screws to mount each CVPDUB bracket to rack. Tighten screws to 45 in-lb (+/- 5 in-lb). Refer to Pages 1 and 2 for hole and slot orientation. Install buttons of Power Outlet Unit (POU) into CVPDUB bracket as shown.



### Power Outlet Unit (POU) Mounting Bracket Installation (*non-typical button spacing*)

If POU does not employ typical button spacing, mount top bracket first to locate POU. Mount lower bracket in appropriate position utilizing bonus holes.



For instructions in Local Languages  
and Technical Support:

[www.panduit.com/resources/install\\_maintain.asp](http://www.panduit.com/resources/install_maintain.asp)

**PANDUIT**  
www.panduit.com

E-mail:  
[cs@panduit.com](mailto:cs@panduit.com)  
Fax:  
(708)444-6448