



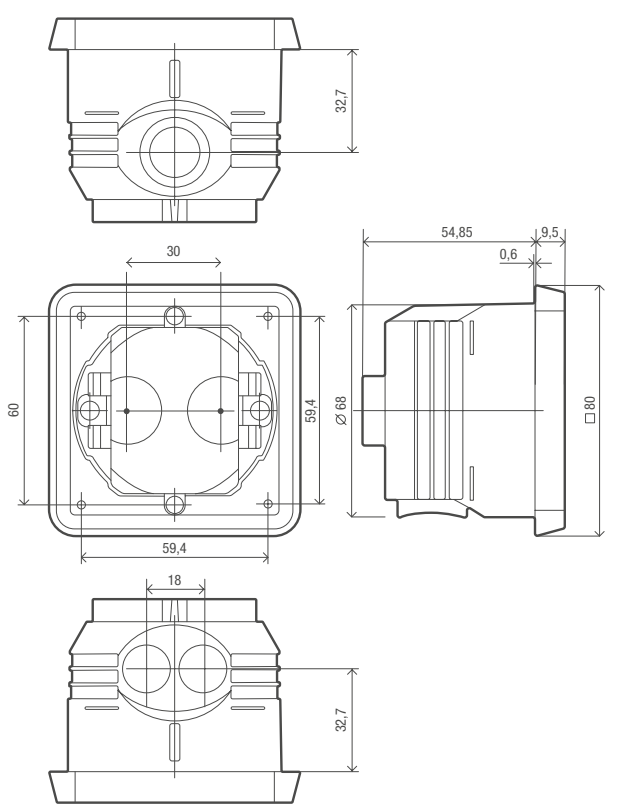
4 year warranty

- EN** *Splashproof flush-mounting box*
- NL** *Spuitwaterdichte inbouwdoos*
- FR** *Boîte d'encastrement étanche aux projections d'eau*
- DE** *Spritzwassergeschützte Unterputzdose*
- DK** *Stråletæt indmuringsdåse*
- SE** *Stänkskyddad infälld dosa*
- NO** *Sprutsikker innfellingsboks*
- IT** *Scatola di montaggio a incasso antispruzzo*
- PL** *Odporna na zachłapanie puszka podtynkowa*
- SK** *Vodoodolná montážna krabica na zapustenú montáž*

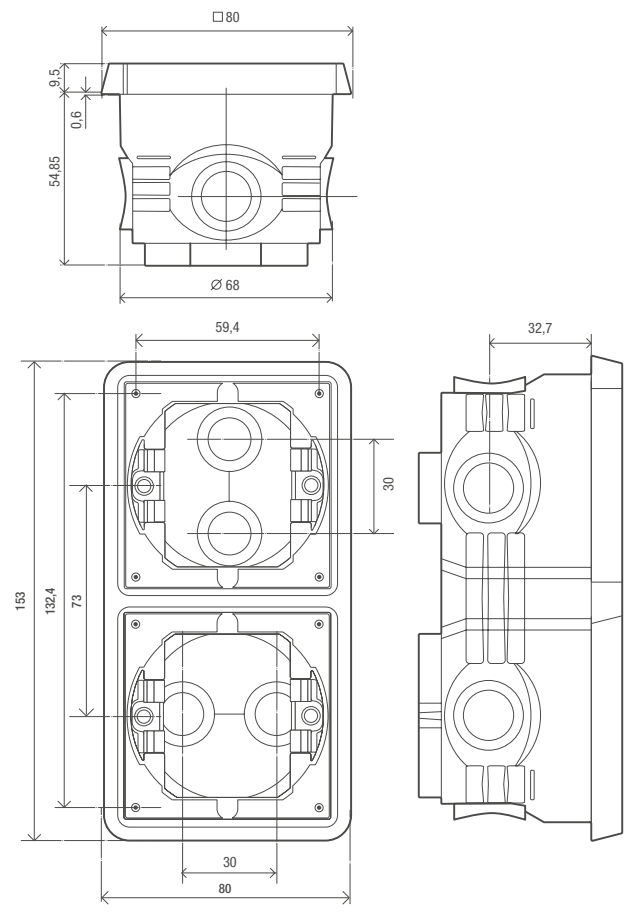
Dimensions

Afmetingen / Dimensions / Abmessungen / Dimensioner / Mått / Dimensjoner / Dimensioni / Wymiary / Rozmery

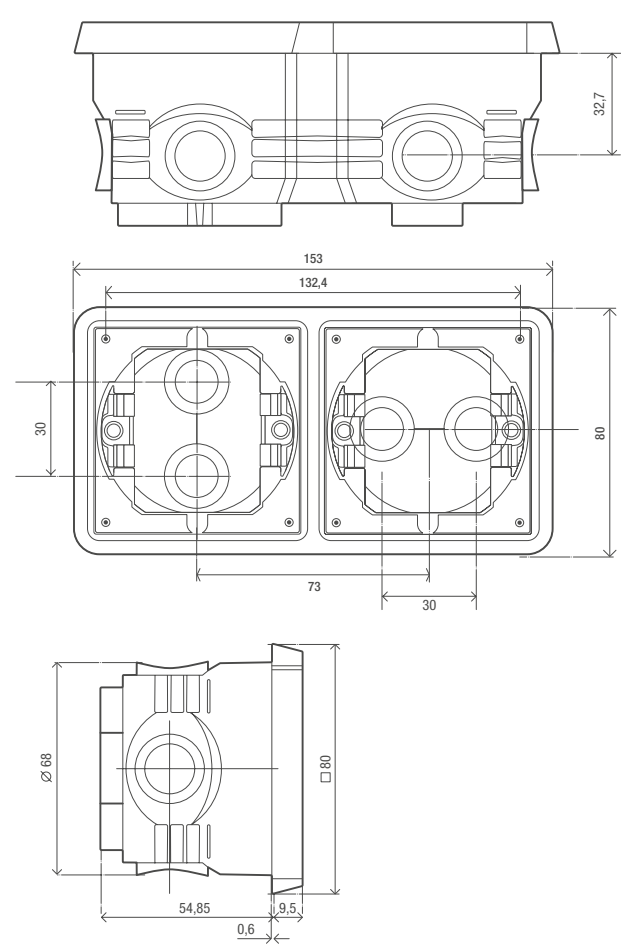
xxx-73000



xxx-74000



xxx-75000

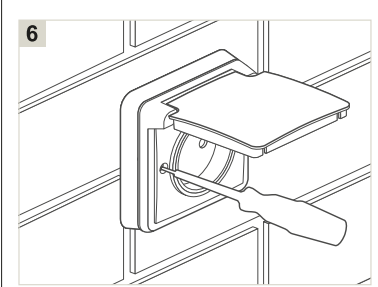
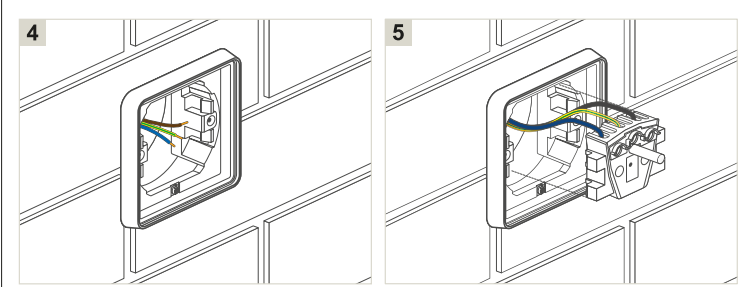
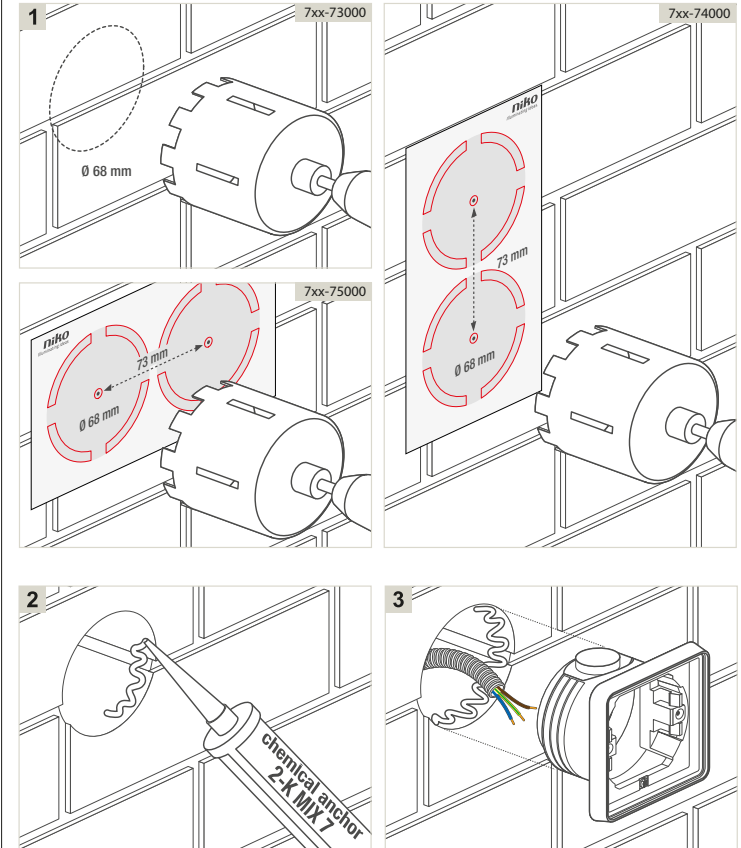


Installation

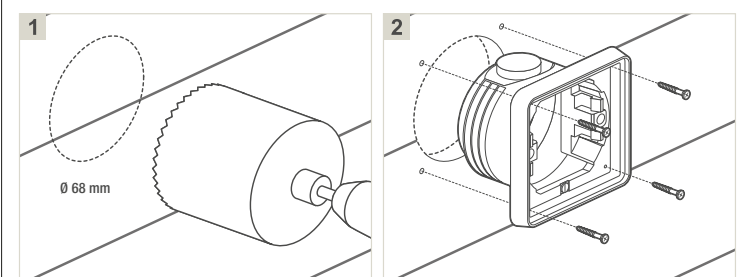
⚠ 230 V power - OFF

Installatie / Installation / Installation / Installation / Installation / Installasjon / Installazione / Instalacja / Inštalácia

In a brick wall



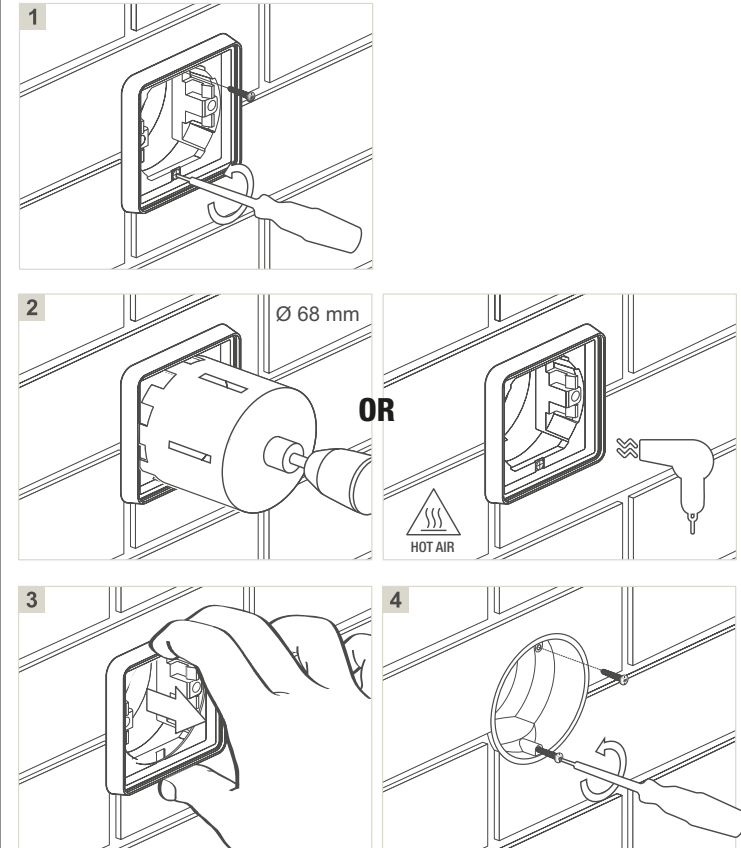
In a hollow wall



Dismantling

⚠ 230 V power - OFF

Demontage / Demontage / Demontage / Demontering / Demontera / Demontering / Smontaggio / Odmontowanie / Demontáž



Specifications

Specificaties / Specifications / Spezifikationen / Specifikationer / Specifikationer / Spesifikasjoner / Specifiche / Specyfikacje / Technické údaje /

- Article number single box** 700-73000 / 701-73000 / 761-73000
- Article number double vertical box** 700-74000 / 701-74000 / 761-74000
- Article number double horizontal box** 700-75000 / 701-75000 / 761-75000
- Material surface-mounting box** impact-resistant, dust-resistant, halogen-free and self-extinguishing polypropylene (UL94-V2/1.6 mm)
- Protection degree** see protection degree of the mounted function
- Impact resistance** the combination of a Hydro mechanism and a flush- or surface-mounting box has an impact resistance of IK07 with a minimum temperature of -25 °C and a maximum temperature of +55 °C
- Dimensions 7xx 7300 (HxWxD)** 80 x 80 x 65 mm
- Dimensions 7xx 7400 (HxWxD)** 153 x 80 x 65 mm
- Dimensions 7xx 7500 (HxWxD)** 80 x 153 x 65 mm
- Marking** CE

