

NOTES:

RATED VOLTAGE: MAX. 63V AC/DC
 RATED CURRENT: MAX. 16A at 40°C (derating has to be considered)
 IP RATING: IP67 (mated and locked condition)
 TEMPERATURE RANGE: -25°C TO +85°C

CABLE PRINTING (sequence as shown below):

- MOLEX engineering no. (see page 2)
- MOLEX material no. (see page 2)
- MOLEX MAX. 63V AC/DC MAX. 16 A USR
- MOLEX AND DATE OF MANUFACTURING (YY=YEAR; WW=WEEK): MXYWW
- Not for current interrupting
- PROFINET 24V Power 4x2,5 + FE

PART ACCORDING PRODUCT SPEC: 1205010169
 PACKAGING ACCORDING PACKAGING SPEC: 1201202000

TABLE 1

POS	DESCRIPTION	MATERIAL	FINISH
1	NUT M12 FE	BRASS	Ni
2	CONTACT 15 MA	BRASS	Au
3	CONTACT 15 FE	BRASS	Au
4	INSERT	PA	GREY
5	OVERMOLD	TPE	BLACK
6	CABLE 5x2.5 D11.3 WSOR	PUR	GREY
7	GASKET OR 8.2X1.25	FKM	BLACK
OPTIONAL 8	ID-CARRIER	-	-

FUNCTIONAL SYMBOLS ▽A = 0 ▽E = 0 ▽Z = 0	THIS DRAWING CONTAINS INFORMATION THAT IS PROPRIETARY TO MOLEX ELECTRONIC TECHNOLOGIES, LLC AND SHOULD NOT BE USED WITHOUT WRITTEN PERMISSION			
	FUNCTIONAL DIMENSION UNITS	SCALE		
	mm	2:1	EC NO: 735577	
	GENERAL TOLERANCES (UNLESS SPECIFIED)		DRWN: MARUTD 2023/01/12	
ANGULAR TOL ± 1.0°		CHK'D: RSILLER 2023/01/19		
4 PLACES ±		APPR: RSILLER 2023/01/19		
3 PLACES ±		INITIAL REVISION:		
2 PLACES ± 0.05		DRWN: FDAFERNER 2020/01/24		
1 PLACE ± 0.3		APPR: RSILLER 2021/03/15		
0 PLACES ± 0.5		DOCUMENT NUMBER		
DRAFT WHERE APPLICABLE MUST REMAIN WITHIN DIMENSIONS		1205000200		
THIRD ANGLE PROJECTION		DOC TYPE DOC PART REVISION		
DRAWING		PSD 000 A1		
SERIES		MATERIAL NUMBER		
A3-SIZE 120500		SEE TABLE 2		
CUSTOMER		GENERAL MARKET		
SHEET NUMBER		1 OF 2		

ENGINEERING NO - NUMERICAL CODE (Available parts see PART LIST table. Other parts available upon request).

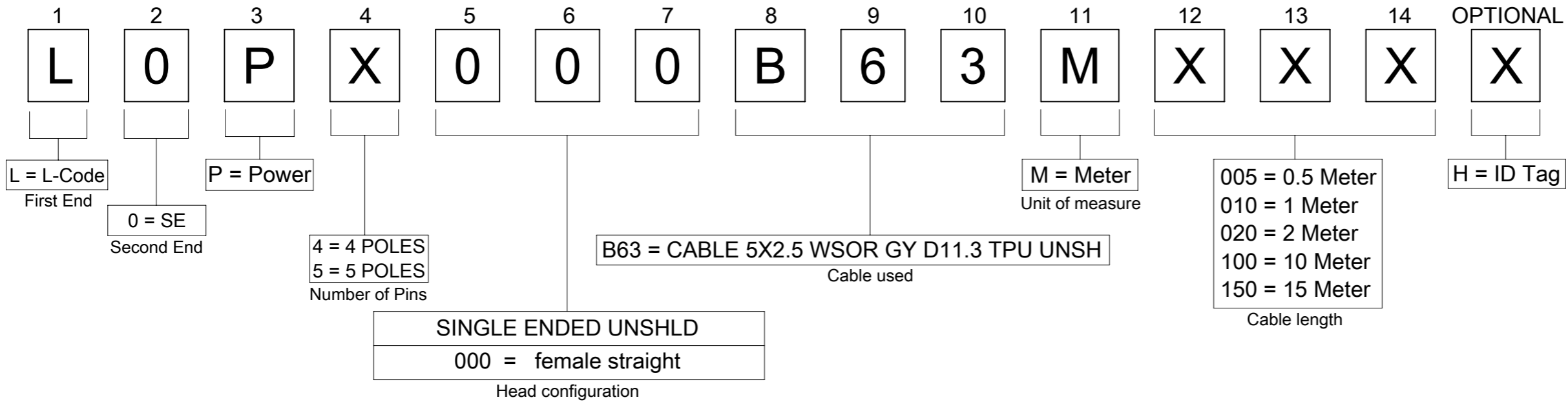


TABLE 2

NOMINAL SECTION 2,5mm ²			
MATERIAL NO.	ENGINEERING NO.	L [mm]	TOLERANCE [mm]
1205000200	L0P5000B63M010	1000	+40
1205000201	L0P5000B63M020	2000	+60
1205000202	L0P5000B63M030	3000	+60
1205000203	L0P5000B63M050	5000	+60
1205000204	L0P5000B63M100	10000	+80
1205000205	L0P5000B63M150	15000	+140
1205000206	L0P5000B63M200	20000	+140

FUNCTIONAL SYMBOLS	THIS DRAWING CONTAINS INFORMATION THAT IS PROPRIETARY TO MOLEX ELECTRONIC TECHNOLOGIES, LLC AND SHOULD NOT BE USED WITHOUT WRITTEN PERMISSION		
	$\nabla_A = 0$ $\nabla_B = 0$ $\nabla_C = 0$	DIMENSION UNITS: mm SCALE: 1:1	CURRENT REV DESC: UPDATED ATTRIBUTE TO GENERAL MARKET IN ECTR
DIVISIONAL SYMBOLS	GENERAL TOLERANCES (UNLESS SPECIFIED)		molex CSE M12 5P LC FE STR WSOR GY XM UNSH
	ANGULAR TOL $\pm 1.0^\circ$		
	4 PLACES \pm	EC NO: 735577	PRODUCT CUSTOMER DRAWING
	3 PLACES \pm	DRWN: MARUTD 2023/01/12	
2 PLACES ± 0.05	CHK'D: RSILLER 2023/01/19	DOCUMENT NUMBER: 1205000200 DOC TYPE: PSD DOC PART: 000 REVISION: A1	
1 PLACE ± 0.3	APPR: RSILLER 2023/01/19		
0 PLACES ± 0.5	INITIAL REVISION:	MATERIAL NUMBER: CUSTOMER: GENERAL MARKET SHEET NUMBER: 2 OF 2	
DRWN: FDAFERNER 2020/01/24 APPR: RSILLER 2021/03/15			
DRAFT WHERE APPLICABLE MUST REMAIN WITHIN DIMENSIONS		THIRD ANGLE PROJECTION	DRAWING: A3-SIZE