

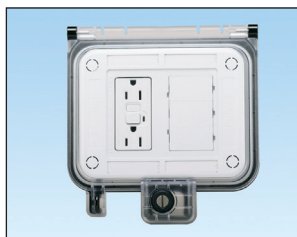
IndustrialNet™ Data Access Port

PANDUIT®

SPECIFICATION SHEET

specifications

The industrial data access port shall provide end users a safe and secure means to maintain and monitor performance of PLCs, VFD, and industrial networks. Integrated security features shall prevent the intentional disruption of service by unauthorized personnel. Non-arc flash certified personnel shall access the panel reducing cost, increasing efficiencies, and promoting overall safety. Aluminum casted base with clear plastic impact resistant cover and modular faceplate mount shall protect all connections.



technical information

NEMA/UL Type 4X and Type 12, IP65 rating:	Compression latch and integrated gasket design protect against dust and moisture
UL recognized component:	UL recognized component per standards ANSI/UL 943, "Ground-Fault Circuit-Interrupters" and CSA-C22.2 No. 144.1-06, "Ground-Fault Circuit-Interrupters"

key features and benefits

Modular	Accepts select Mini-Com® modules including copper, fiber, USB ports, serial ports, and HMI memory components to provide design flexibility
Integrated GFCI receptacle outlet	Provides power to external monitoring devices preventing downtime associated with overloading critical system components
Locking hasp	Accepts Panduit lockout/tagout products or padlock to prevent unauthorized access for improved security
Removable mounting plate	Accepts a variety of power supplies providing flexibility to meet regional electrical requirements
Identification	Meets TIA/EIA-606-A labeling standards allowing identification of data and power, reducing downtime during maintenance and trouble shooting
Covered screw holes	Prevents unintentional disruption of service by unauthorized personnel and protection against arc flash improving security, safety, and network uptime
Pre-configured mounting template	Quickly and easily identifies mounting hole locations and cutouts

applications

The IndustrialNet™ Data Access Port provides data port and electrical outlet access to control panels without the safety hazards of opening the panel. The access port provides availability to log in to the network at the work site and can be used for reprogramming internal controllers and setting up a print terminal. The modular design allows for RJ45 jacks, USB, and other modular connectors which can be interchanged to customize for maximum design

flexibility. Snap™ mounting plate covers mounting screws and prevents tampering or unauthorized removal of access port from the control panel. Access port can also be locked with a padlock to secure the outlet. Versions IAPNG5EWH, IAPNGWH are configured with GFCI power receptacle for the United States. IAPEWH is configured to accept standard 45mm European outlets.

www.panduit.com

IndustrialNet™ Data Access Port

GFCI data access port with TX5e™ Coupler and blank:	IAPNG5EWH
GFCI data access port:	IAPNGWH
Empty data access port:	IAPNWH
European data access port (empty):	IAPEWH

Mini-Com® Modules+

TX6A™ 10Gig™ UTP Jack Module:	CJ6X88TGIW*
TX6™ PLUS UTP Jack Module:	CJ688TGIW*
TX5e™ UTP Jack Module:	CJ5E88TGIW*
TX6™ 10Gig™ Shielded Jack Module:	CJS6X88TGY
TX6™ PLUS Shielded Jack Module:	CJS688TGY
TX5e™ Shielded Jack Module:	CJS5E88TGY
Category 5e coupler module:	CC5E88BL
Category 6 coupler module:	CC688BL
USB coupler module:	IAPCMUSBAAWH

Patch Cords

Please visit www.panduit.com for the complete list of patch cord offerings.

1/3 Size Inserts and Blanks

Flat, 2-port:	IAPHF2MWH-X
Flat:	IAPHB2MWH-X
9-pin female/female coupler:	IAPHD9CWH
15-pin high-density female/female coupler:	IAPHD15HDCWH
15-pin high-density D-sub:	IAPHD15HDSCWH
Blank module:	IAPCMBWH-X

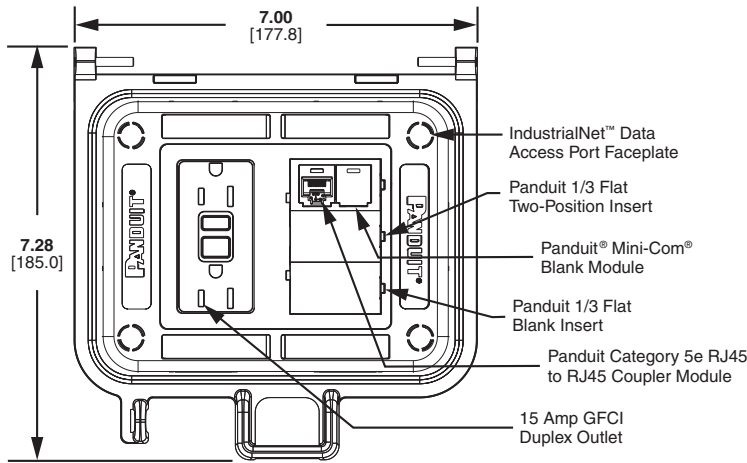
*For standard colors other than Off White, replace suffix IW (Off White) with EI (Electric Ivory), WH (White), IG (International Gray), BL (Black), OR (Orange), RD (Red), BU (Blue), GR (Green), YL (Yellow), or VL (Violet).

+For additional Mini-Com™ Modules please visit www.panduit.com

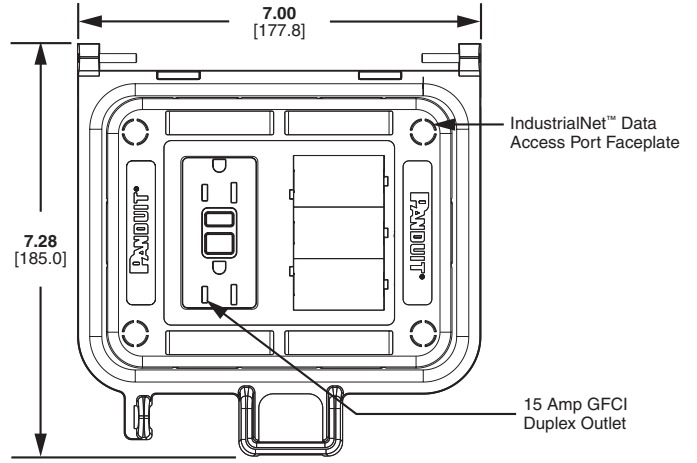
Note: Custom mounting plates available upon request.

Note: Versions IAPNG5EWH and IAPNGWH are configured with GFCI power receptacle for the United States; IAPEWH is configured with a 45mm opening to accept standard European outlets.

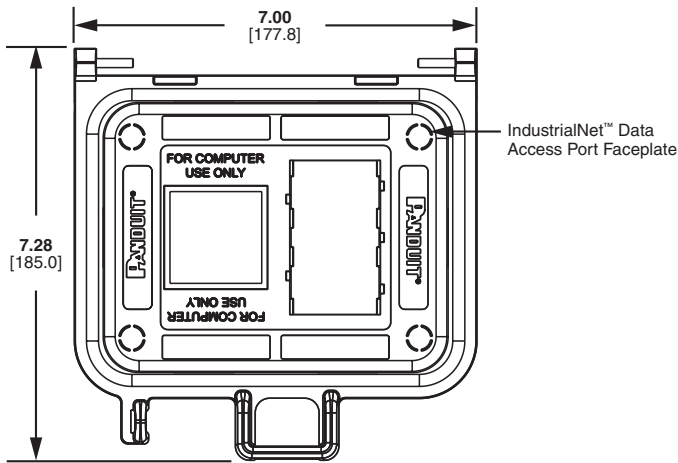
IndustrialNet™ Data Access Port



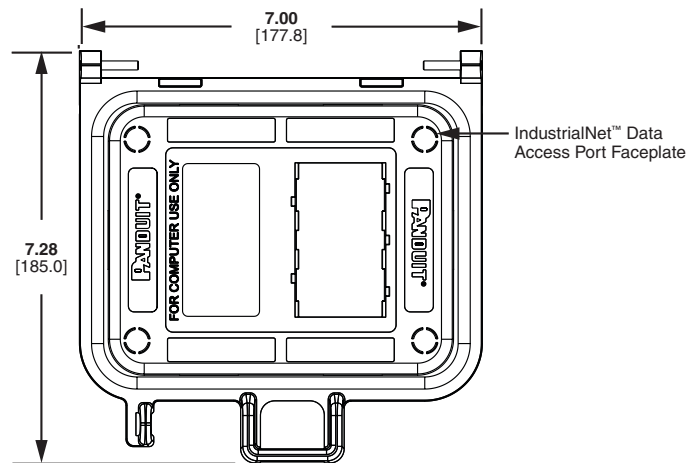
IAPNG5EWH



IAPNGWH



IAPEWH



IAPNWH

Dimensions are in inches. [Dimensions in brackets are metric].

PANDUIT CANADA
Markham, Ontario
cs-cdn@panduit.com
Phone: 800.777.3300

PANDUIT EUROPE LTD.
London, UK
cs-emea@panduit.com
Phone: 44.20.8601.7200

PANDUIT SINGAPORE PTE. LTD.
Republic of Singapore
cs-ap@panduit.com
Phone: 65.6305.7575

PANDUIT JAPAN
Tokyo, Japan
cs-japan@panduit.com
Phone: 81.3.6863.6000

PANDUIT LATIN AMERICA
Guadalajara, Mexico
cs-la@panduit.com
Phone: 52.33.3777.6000

PANDUIT AUSTRALIA PTY. LTD.
Victoria, Australia
cs-aus@panduit.com
Phone: 61.3.9794.9020

For a copy of Panduit product warranties, log on to www.panduit.com/warranty

For more information

Visit us at www.panduit.com

Contact Customer Service by email: cs@panduit.com
or by phone: 800.777.3300

PANDUIT®

©2014 Panduit Corp.
ALL RIGHTS RESERVED.
COSP263--WW-ENG
Replaces WW-COSP169
6/2014