

2

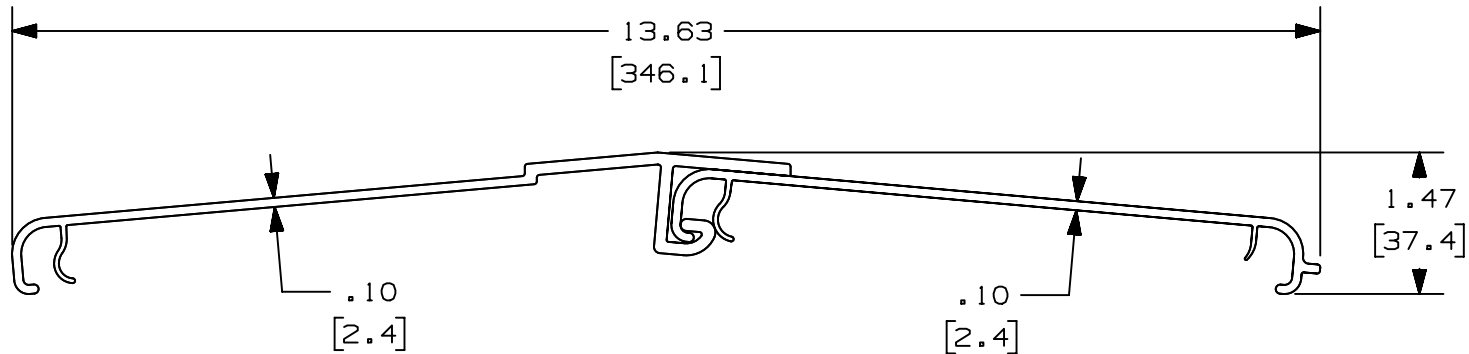
1

THIS COPY IS PROVIDED ON A RESTRICTED BASIS AND IS NOT TO BE USED IN ANY WAY DETRIMENTAL TO THE INTERESTS OF PANDUIT CORP.

PANDUIT PART NUMBER	LENGTH	WEIGHT	WEIGHT/LENGTH
FRHC12**2 (SEE NOTE 1)	78.74 IN ±.18 IN (2000.0mm ±4.6mm)	8.33 LB (3778g)	1.27 LB/FT (18.9g/cm)
FRHC12**6 (SEE NOTE 1)	72.00 IN ±.18 IN (1828.8mm ±4.6mm)	7.62 LB (3456g)	1.27 LB/FT (18.9g/cm)
FRHC12**3 (SEE NOTE 1)	118.11 IN ±.18 IN (3000mm ±4.6mm)	12.50 LB (5669g)	1.27 LB/FT (18.9g/cm)
FRHC12**10 (SEE NOTE 1)	120.00 IN ±.18 IN (3048mm ±4.6mm)	12.70 LB (5760g)	1.27 LB/FT (18.9g/cm)

NOTES:

- SEE CURRENT CATALOG FOR ADDITIONAL PART SUFFIXES TO INDICATE COLOR AND/OR PACKAGE QUANTITY.
- DIMENSIONS IN PARENTHESES ARE IN METRIC.



3	05/07/2021	mes	PATR	PATR	ADDED PART NUMBERS FRHC12**3, FRHC12**10				V09002MM/00	

TITLE FIBERRUNNER 12x4 SNAP-ON HINGED COVER (FRHC12**2, FRHC12**6, FRHC12**3, FRHC12**10)		PANDUIT
CONTROL DRAWING		
ITEM REVISION NAME D37689BE/01		PANDUIT
DATASET FILE NAME D37689BE/01		
UNLESS OTHERWISE SPECIFIED, DIMENSIONAL TOLERANCES ARE: (.X) ± (.XXX) ± (.XX) ±.03 (0.8) ANGLES ±		MATERIAL: PVC
THIRD ANGLE PROJECTION		DRAWING NUMBER: 37689-06

REV	DATE	BY	CHK	APR	DESCRIPTION	ECN	DRAWN BY	DATE	CHK	SCALE	SHT 1 OF 1	SIZE
							JHNU	10-5-00	RCRO	NONE		A

2

1

D10100DA/20