

1SNK805715R0000 ✓ ACTIVE

ENTRELEC | ENTRELEC SNK

TE Internal #: 1SNK805715R0000

Modular Terminal Blocks, Female Plug, Gray, Product Spacing .205 in [5.2 mm], 2 Position, -55 – 110 °C [-67 – 230 °F], ENTRELEC SNK

[View on TE.com >](#)



Connectors > Terminal Blocks & Strips > Modular Terminal Blocks



Modular Terminal Block Product Type: **Female Plug**

Rated Cross Section: **4 mm²**

Primary Product Color: **Gray**

Product Spacing: **5.2 mm [.205 in]**

Features

Product Type Features

| | |
|-------------------------------------|-------------|
| Modular Terminal Block Product Type | Female Plug |
|-------------------------------------|-------------|

Configuration Features

| | |
|---------------------|-------|
| Gauge Type | A3-B3 |
| Number of Poles | 1 |
| Number of Positions | 2 |

Electrical Characteristics

| | |
|--|--------|
| Impulse Withstanding Voltage Rating (IEC) | 8000 V |
| Current Rating (CSA) | 28 A |
| Power Loss | .5 W |
| Short-Time Withstanding Current Rating @ 1s | 480 A |
| Voltage Rating (IEC) | 800 V |
| Operating Voltage Rating (UL & CSA) (Max) - Main Circuit | 300 V |
| Voltage Rating (CSA) | 300 V |
| Dielectric Test Voltage | 2200 V |
| Current Rating (UL) | 28 A |
| Current Rating (IEC) | 29 A |

Body Features

| | |
|-----------------------|-----------------|
| Product Weight | 4.05 g[.161 oz] |
| Primary Product Color | Gray |

Housing Features

| | |
|------------------|-----------|
| Housing Material | Polyamide |
|------------------|-----------|

Dimensions

| | |
|---|---------------------------|
| Main Circuit Capacity - Twin Ferrule per Screw Clamp | 24 – 16 AWG |
| Main Circuit Capacity - 1 Flexible Conductor per Screw Clamp | .22 – 4 mm ² |
| Main Circuit Capacity - 1 Non-Insulated Ferrule per Screw Clamp | .22 – 4 mm ² |
| Main Circuit Capacity - 1 Insulated Ferrule per Screw Clamp | 24 – 12 AWG |
| Main Circuit Capacity - 1 Rigid Stranded Conductor per Screw Clamp | 24 – 10 AWG |
| Wire Stripping Length | 10.5 mm[.413 in] |
| Main Circuit Capacity - 2 Rigid Stranded Conductors per Screw Clamp | .2 – 1.5 mm ² |
| Main Circuit Capacity - 2 Flexible Conductors per Screw Clamp | .22 – 1.5 mm ² |
| Tool Size | 3.5 mm[.138 in] |
| Product Depth | 39.4 mm |
| Product Length | 22.35 mm |
| Product Height | 22.4 mm |
| Rated Cross Section | 4 mm ² |
| Product Spacing | 5.2 mm[.205 in] |

Usage Conditions

| | |
|--------------------------------|----------------------------|
| Storage Temperature Range | -55 – 110 °C[-67 – 230 °F] |
| Installation Temperature Range | -5 – 40 °C[23 – 104 °F] |
| Operating Temperature Range | -55 – 110 °C[-67 – 230 °F] |

Industry Standards

| | |
|------------------------|----------|
| IP Rating | IP20 |
| UL Flammability Rating | UL 94V-0 |

Product Compliance

For compliance documentation, visit the product page on [TE.com](https://www.te.com)>

| | |
|---|---|
| EU RoHS Directive 2011/65/EU | Compliant |
| EU ELV Directive 2000/53/EC | Compliant |
| China RoHS 2 Directive MIIT Order No 32, 2016 | No Restricted Materials Above Threshold |
| EU REACH Regulation (EC) No. 1907/2006 | Current ECHA Candidate List: JUNE 2022 (224) Candidate List Declared Against: JUNE 2022 (224) Does not contain REACH SVHC |

Halogen Content

Low Halogen - Br, Cl, F, I < 900 ppm per homogenous material. Also BFR/CFR/PVC Free

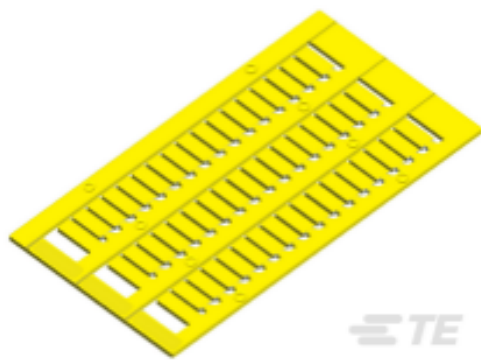
Solder Process Capability

Not reviewed for solder process capability

Product Compliance Disclaimer

This information is provided based on reasonable inquiry of our suppliers and represents our current actual knowledge based on the information they provided. This information is subject to change. The part numbers that TE has identified as EU RoHS compliant have a maximum concentration of 0.1% by weight in homogenous materials for lead, hexavalent chromium, mercury, PBB, PBDE, DBP, BBP, DEHP, DIBP, and 0.01% for cadmium, or qualify for an exemption to these limits as defined in the Annexes of Directive 2011/65/EU (RoHS2). Finished electrical and electronic equipment products will be CE marked as required by Directive 2011/65/EU. Components may not be CE marked. Additionally, the part numbers that TE has identified as EU ELV compliant have a maximum concentration of 0.1% by weight in homogenous materials for lead, hexavalent chromium, and mercury, and 0.01% for cadmium, or qualify for an exemption to these limits as defined in the Annexes of Directive 2000/53/EC (ELV). Regarding the REACH Regulation, the information TE provides on SVHC in articles for this part number is based on the latest European Chemicals Agency (ECHA) 'Guidance on requirements for substances in articles' posted at this URL: <https://echa.europa.eu/guidance-documents/guidance-on-reach>

Compatible Parts



TE Part # 1SNK140004R0000
MC512-YL



TE Part # 1SNK150004R0000
MC612-YL



TE Part # 1SNK805013R0000
ZDS4-22



TE Part # 1SNK900637R0000
VR-ZD



TE Part # 1SET111001R0000
WF003-08-GN



TE Part # 1SET111002R0000
WF005-08-WH



TE Part # 1SET111003R0000
WF007-08-BL



TE Part # 1SET111005R0000
WF010-08-RD



TE Part # 1SET111007R0000
WF015-08-BK



TE Part # 1SET111010R0000
WF025-08-GR



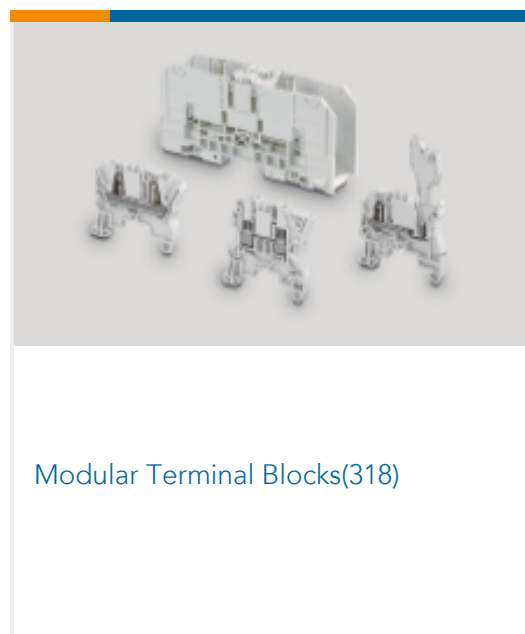
TE Part # 1SET111026R0000
WF003-08-TR



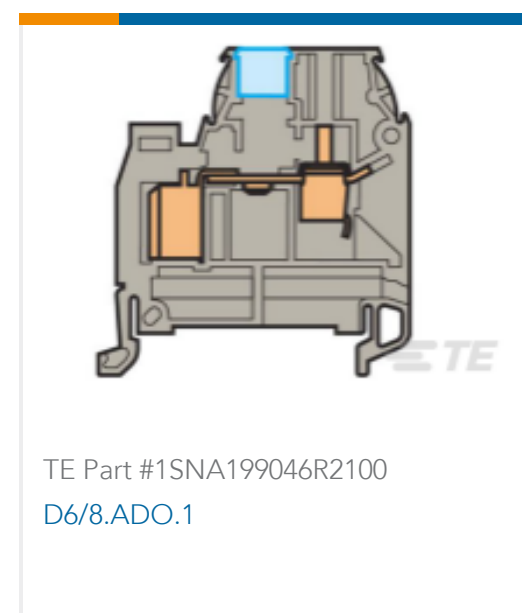
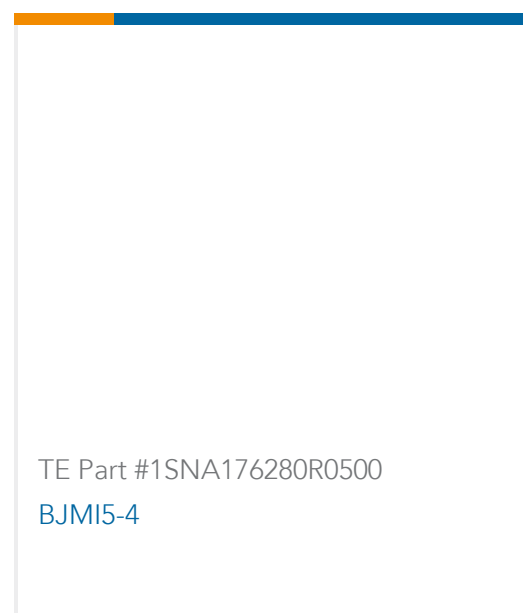
TE Part # 1SET111027R0000
WF007-08-GR

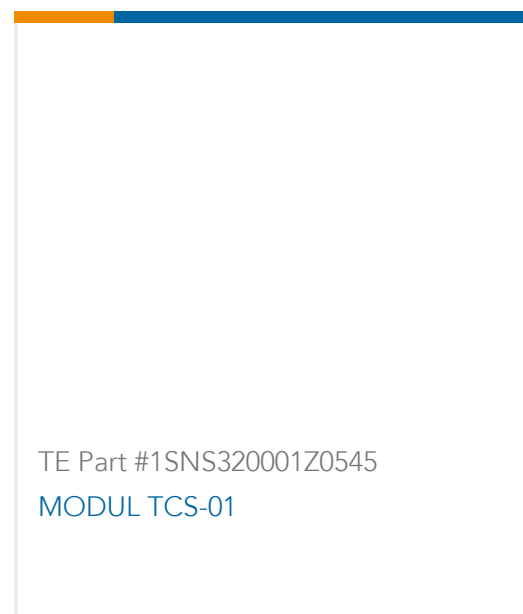


Also in the Series | **ENTRELEC SNK**



Customers Also Bought





Documents

CAD Files

Customer View Model

[ENG_CVM_CVM_1SNK805715R0000_A1.2d_dxf.zip](#)

English

Customer View Model

[ENG_CVM_CVM_1SNK805715R0000_A1.3d_stp.zip](#)

English

Customer View Model

[ENG_CVM_CVM_1SNK805715R0000_A1.3d_igs.zip](#)

English

3D PDF

3D

By downloading the CAD file I accept and agree to the [Terms and Conditions](#) of use.

Datasheets & Catalog Pages

[ENTRELEC Terminal Block - Master Catalog](#)

English

[CDS4-E](#)

English

[SNK SERIES TERMINAL BLOCKS](#)

English

[ENTRELEC Terminal Blocks Catalogue \(RUS\)](#)

[Essential Entrelec Terminal Blocks](#)

French

[Essential Entrelec Terminal Blocks](#)

English

Agency Approvals

[UL](#)

English