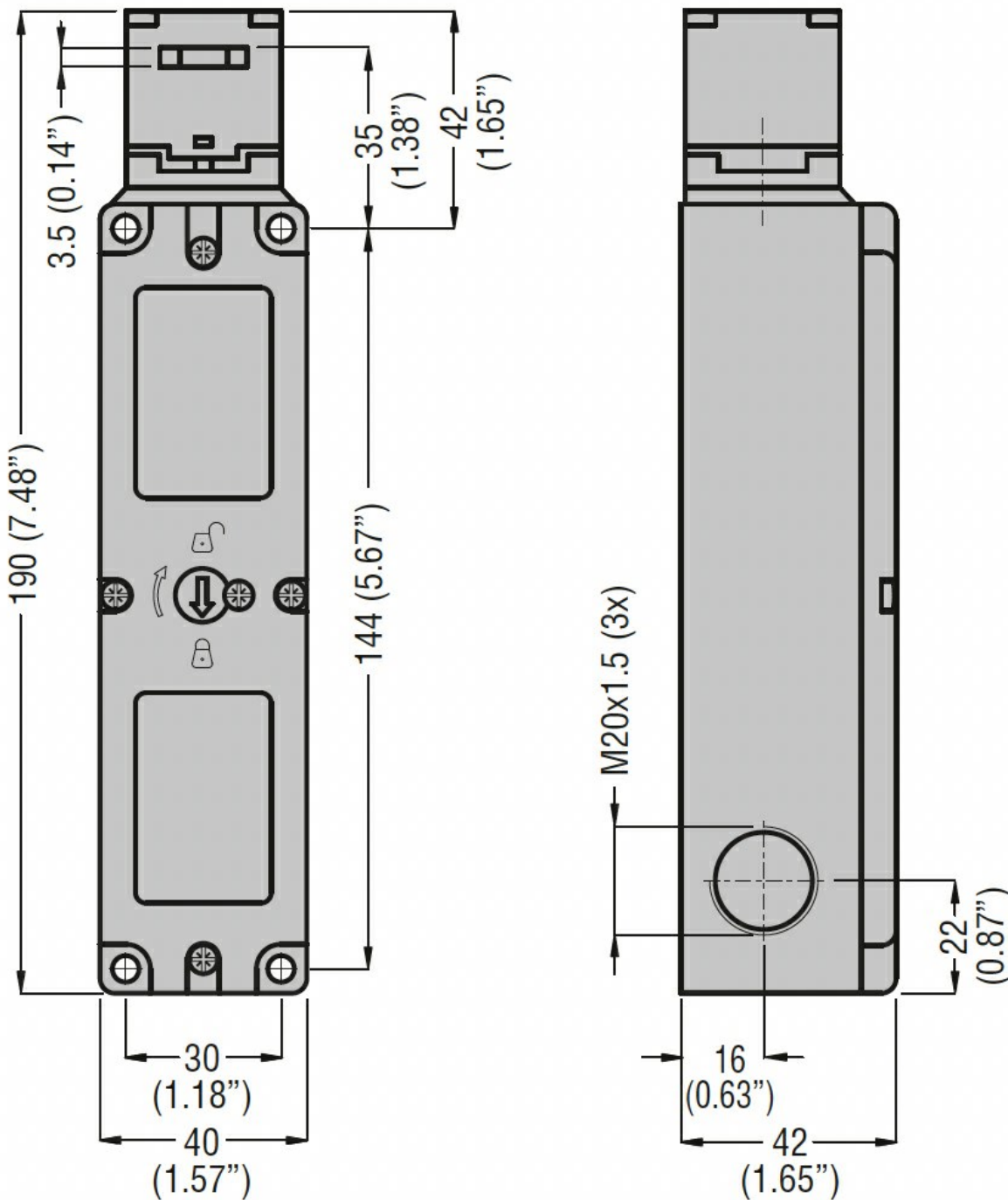




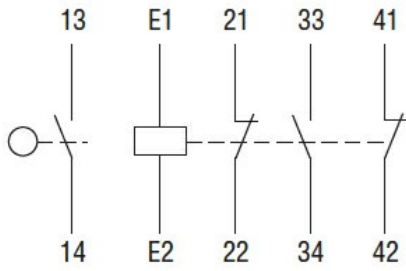
|   |                               |   |        |
|---|-------------------------------|---|--------|
| Product designation                                       | Safety switches with solenoid |   |        |
| Product type designation                                  | KEN1                          |   |        |
| <b>General characteristics</b>                            |                               |   |        |
| <b>General characteristics</b>                            |                               |   |        |
| Housing Material  | Polymer thermoplastic         |   |        |
| <b>Contact characteristics</b>                            |                               |   |        |
| Type of contact   | 1NO (Key), 2NC+1NO (Solenoid) |   |        |
| Thermal current I <sub>th</sub>                           | A                             | 10  |        |
| IEC/EN 60947-5-1 designation                              | A300 Q300                     |   |        |
| Rated insulation voltage U <sub>i</sub>                   | V                             | 250   |        |
| Rated impulse withstand voltage U <sub>imp</sub>          | kV                            | 2.5   |        |
| Short-circuit protection with fuse                        | Class/A                       | 10 gG   |        |
| IEC Conventional free air thermal current I <sub>th</sub> | A                             | 10  |        |
| <b>Operations</b>   |                               |   |        |
| Mechanical life   | cycles                        | 1000000   |        |
| B10d  | cycles                        | 4000000   |        |
| Mechanical operation                                      | cycles/h                      | 600   |        |
| <b>Output characteristics</b>                             |                               |   |        |
| Mechanical life   | cycles                        | 1000000   |        |
| <b>Mechanical features</b>                                |                               |   |        |
| Operating head fixing                                     | Screwed                       |   |        |
| Operating torque  | N                             | 15 (actuator insertion), 30 (Release actuator extraction), 1200 (locked actuator holding) |        |
| <b>Tightening torque (Max)</b>                            |                               |   |        |
| Switch fixing   | Nm                            | 2.5   |        |
| Contact terminals   | Nm                            | 0.8   |        |
| Body lid screw fixing                                     | Nm                            | 0.8   |        |
| <b>Conductor section</b>                                  |                               |   |        |
| IEC   | min                           | mm <sup>2</sup>   | 1 or 2 |
|   | max                           | mm <sup>2</sup>   | 1.5    |
| Cable connection  | Self-releasing screw terminal |   |        |
| Cable entry   | 3 x M20                       |   |        |

|                           |        |     |
|---------------------------|--------|-----|
| Weight                    | g      | 440 |
| <b>Ambient conditions</b> |        |     |
| Pollution degree          |        | 3   |
| <b>Temperature</b>        |        |     |
| Operating temperature     | max °C | +55 |
| Storage temperature       | min °C | -40 |
|                           | max °C | +70 |

**Dimensions**



**Wiring diagrams**



### Certifications and compliance

#### Compliance

CSA C22.2 n°14

IEC/EN 60204

IEC/EN 60947-1

IEC/EN 60947-5-1

UL508

UNI EN ISO 14119

#### Certificates

cULus

EAC

### ETIM classification

ETIM 8.0

EC000030 - End  
switch