



|   |       |                  |                   |                              |
|---|-------|------------------|-------------------|------------------------------|
| Product designation                                       |       |                  |                   | Enclosed switch disconnecter |
| Product type designation                                  |       |                  |                   | GAZM                         |
| Number of poles   |       | Nr.              | 4                 |                              |
| Operating voltage type                                    |       |                  |                   | AC                           |
| <b>Contact characteristics</b>                            |       |                  |                   |                              |
| IEC Conventional free air thermal current I <sub>th</sub> |       | A                | 16                |                              |
| Rated insulation voltage U <sub>i</sub> IEC/EN            |       | V                | 1000              |                              |
| Rated impulse withstand voltage U <sub>imp</sub>          |       | kV               | 8                 |                              |
| Operating current I <sub>e</sub>                          |       |                  |                   |                              |
|   | AC21A |                  |                   |                              |
|   |       | 400V             | A                 | 16                           |
|   |       | 500V             | A                 | 16                           |
|   |       | 690V             | A                 | 16                           |
|   | AC22A |                  |                   |                              |
|   |       | 400V             | A                 | 16                           |
|   |       | 500V             | A                 | 16                           |
|   |       | 690V             | A                 | 16                           |
|   | AC23A |                  |                   |                              |
|   |       | 400V             | A                 | 16                           |
|   |       | 500V             | A                 | 16                           |
|   |       | 690V             | A                 | 16                           |
| Power dissipation per pole max                            |       |                  | W                 | 0.2                          |
| Rated operational power AC23A                             |       |                  |                   |                              |
|   |       | 400V             | kW                | 7.5                          |
|   |       | 690V             | kW                | 11                           |
| Conditional short-circuit current (rms)                   |       |                  | kA                | 10                           |
| Short-circuit protection with fuse                        |       |                  | Class/A           | gG16                         |
| Making capacity AC23A 400V                                |       |                  | A                 | 400                          |
| Breaking capacity AC23A 400V                              |       |                  | A                 | 320                          |
| Mechanical life   |       |                  | cycles            | 100000                       |
| Electrical life AC21A                                     |       |                  | cycles            | 100000                       |
| <b>Mechanical features</b>                                |       |                  |                   |                              |
| Operating position  |       | normal allowable | Vertical plan Any |                              |
| Terminals   |       | type             | Pillar            |                              |
|   |       | width            | mm                | 5.6                          |
|   |       | height           | mm                | 6.5                          |
|   |       | screw            | M4                |                              |
|   |       | tool             | Phillips 2        |                              |
| Tightening torque for terminals                           |       |                  |                   |                              |
|   |       | min              | Nm                | 1.8                          |
|   |       | max              | Nm                | 2                            |

|  |     |      |    |
|--|-----|------|----|
|  | min | lbin | 16 |
|  | max | lbin | 18 |

|                   |               |                 |      |
|-------------------|---------------|-----------------|------|
| Conductor section | IEC min       | mm <sup>2</sup> | 0.75 |
|                   | IEC max       | mm <sup>2</sup> | 16   |
|                   | AWG/kcmil min |                 | 18   |
|                   | AWG/kcmil max |                 | 6    |

**Ambient conditions**

|                       |     |    |     |
|-----------------------|-----|----|-----|
| Operating temperature | min | °C | -25 |
|                       | max | °C | +55 |

|                     |     |    |     |
|---------------------|-----|----|-----|
| Storage temperature | min | °C | -40 |
|                     | max | °C | +70 |

|              |   |      |
|--------------|---|------|
| Max altitude | m | 3000 |
|--------------|---|------|

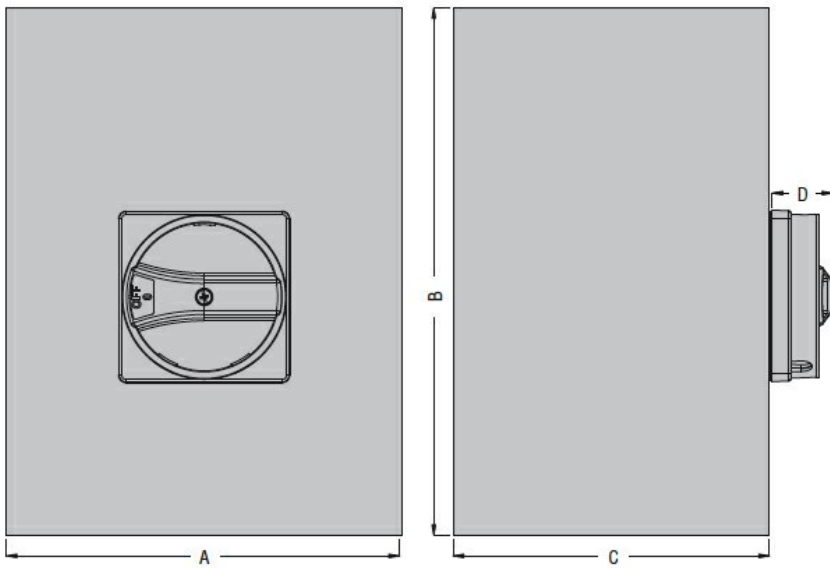
**Resistance & Protection**

|                   |      |
|-------------------|------|
| Frontal IP degree | IP65 |
|-------------------|------|

|                         |      |
|-------------------------|------|
| IP degree of protection | IP65 |
|-------------------------|------|

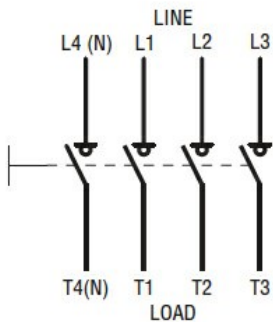
|                  |   |
|------------------|---|
| Pollution degree | 3 |
|------------------|---|

**Dimensions**



| Type                 | A           | B           | C           | D          |
|----------------------|-------------|-------------|-------------|------------|
| GAZM016...GAZM100... | 150 (5.90") | 200 (7.87") | 120 (4.72") | 23 (0.90") |

**Wiring diagrams**



**Certifications and compliance**

Compliance

IEC/EN 60947-1

IEC/EN 60947-3

ETIM classification

ETIM 8.0

EC000216 -  
Switch  
disconnector