



Product designation	Enclosed switch disconnecter		
Product type designation	GAZ...DT...		
Number of poles	Nr.	2	
Operating voltage type		DC	
Contact characteristics			
IEC Conventional free air thermal current I _{th}	A	25	
Rated insulation voltage U _i IEC/EN	V	1500	
Rated impulse withstand voltage U _{imp}	kV	8	
Operating current I _e			
DC21A		600V	A 25
		800V	A 25
		1000V	A 16
DC21B		600V	A 25
		800V	A 25
		1000V	A 16
DCPV1		Operating current I _e 600V	A 25
		Operating current I _e 800V	A 25
DCPV1		600V	A 25
		800V	A 25
Power dissipation per pole max	W	0.8	
Rated short time current (1s) I _{cs} (rms)	kA	0.5	
Mechanical life	cycles	10000	
Mechanical features			
Operating position	normal allowable	Vertical plan Any	
Terminals	type	Screw with washer	
	width	mm	5.6
	height	mm	6.5
	screw tool	M4 Phillips 1	
Tightening torque for terminals	min	Nm	1.2
	max	Nm	1.6
	min	lbin	10
	max	lbin	14
Conductor section	IEC min	mm ²	1
	IEC max	mm ²	10

AWG/kcmil min	18
AWG/kcmil max	8

Ambient conditions

Operating temperature

min	°C	-25
max	°C	+55

Storage temperature

min	°C	-40
max	°C	+70

Max altitude

m	3000
---	------

Resistance & Protection

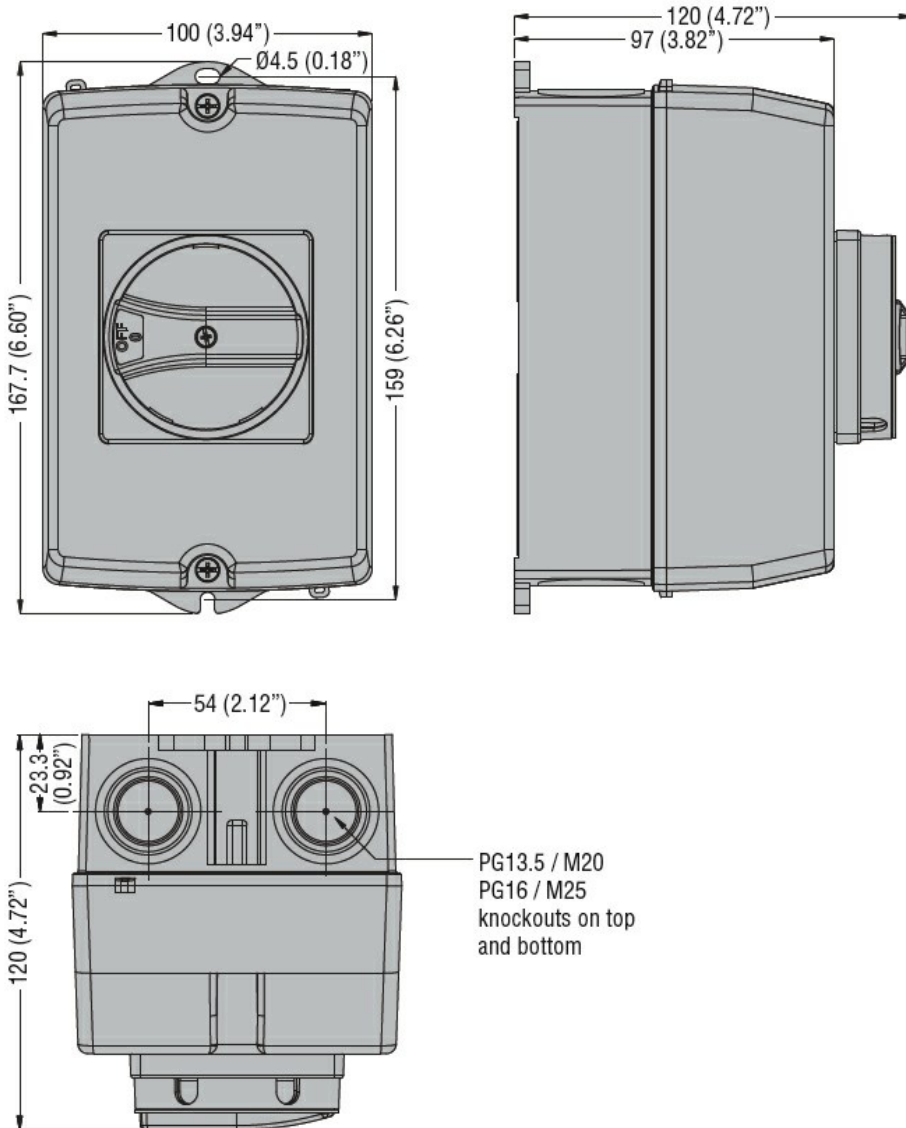
Frontal IP degree

IP65

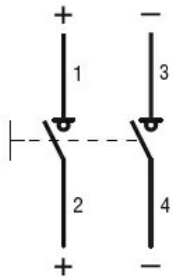
IP degree of protection

IP65

Dimensions



Wiring diagrams



Certifications and compliance

Compliance

IEC/EN 60947-1

IEC/EN 60947-3

Certifications

EAC

ETIM classification

ETIM 8.0

EC000216 -
Switch
disconnecter