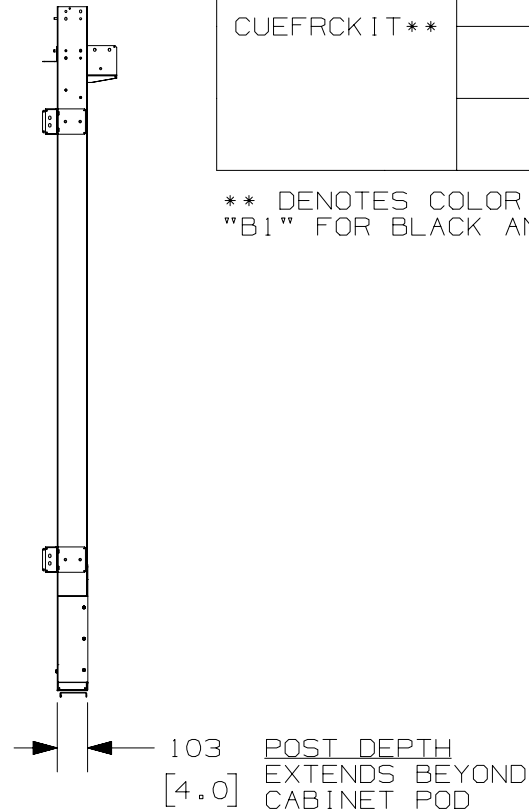
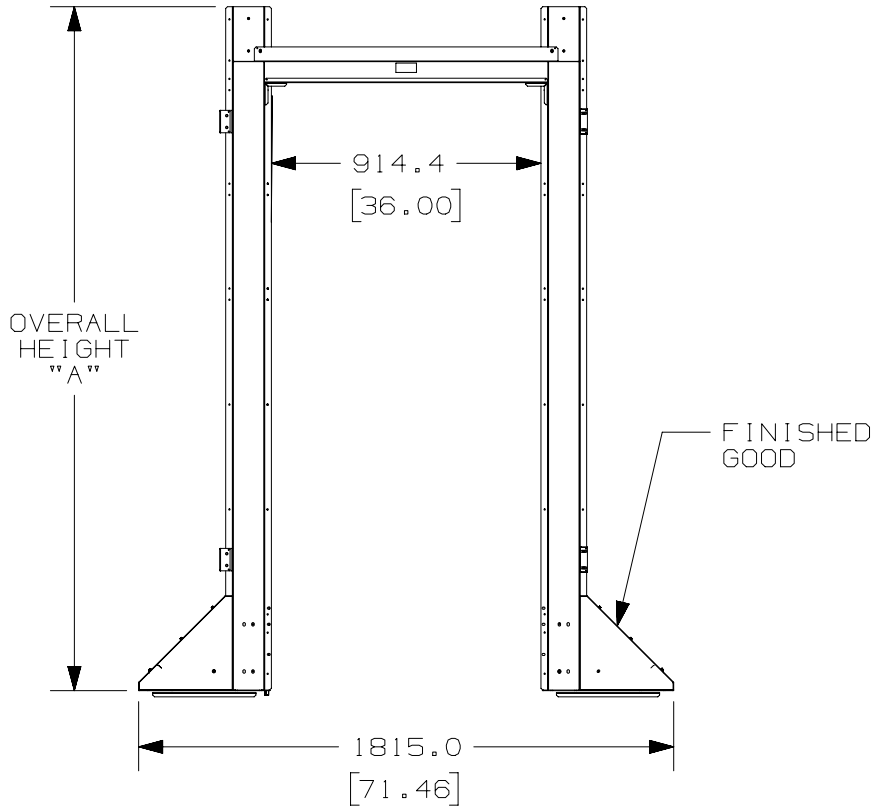
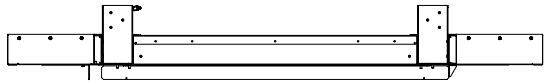


THIS COPY IS PROVIDED ON A RESTRICTED BASIS AND IS NOT TO BE USED IN ANY WAY DETRIMENTAL TO THE INTERESTS OF PANDUIT CORP.



PANDUIT P/N	SYSTEM HEIGHT	OVERALL HEIGHT "A"
CUEFRCKIT**	42RU	2320 (91.34)
	45RU	2333.2 (91.86)
	48RU	2466.6 (97.11)
	52RU	2644.4 (104.11)

** DENOTES COLOR - ADD SUFFIX:
"B1" FOR BLACK AND "W1" FOR WHITE

TITLE
NET-CONTAIN USRC TO UAC 900mm CONVERSION KIT
(CUEFRCKIT***)
CUSTOMER DRAWING

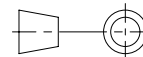
ITEM REVISION NAME
00435NAA/00

DATASET FILE NAME
00435NAA_DC/00A

PANDUIT

MATERIAL:
N/A

DRAWING NUMBER:
00435NAA-DC



THIRD ANGLE
PROJECTION

00A	6-28-16	LEE	SSP	SGI	RELEASED TO PRODUCTION	V09000WR
-----	---------	-----	-----	-----	------------------------	----------

REV	DATE	BY	CHK	APR	DESCRIPTION	ECN
00A	6-28-16	LEE	SSP	SGI	RELEASED TO PRODUCTION	V09000WR

DRAWN BY LEE	DATE 6-27-16	CHK SSP	SCALE NONE	SHT 2 OF 2	SIZE A
-----------------	-----------------	------------	---------------	------------	-----------

D10100DA/16