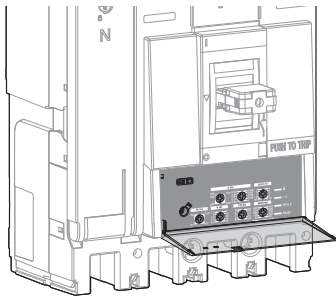
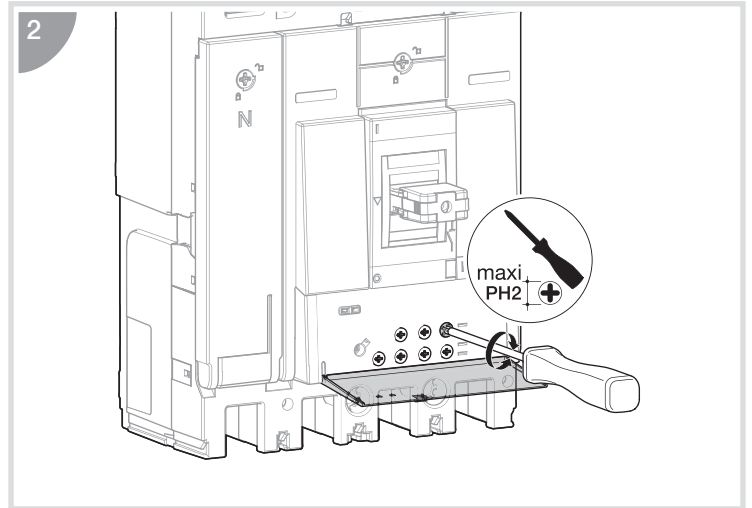
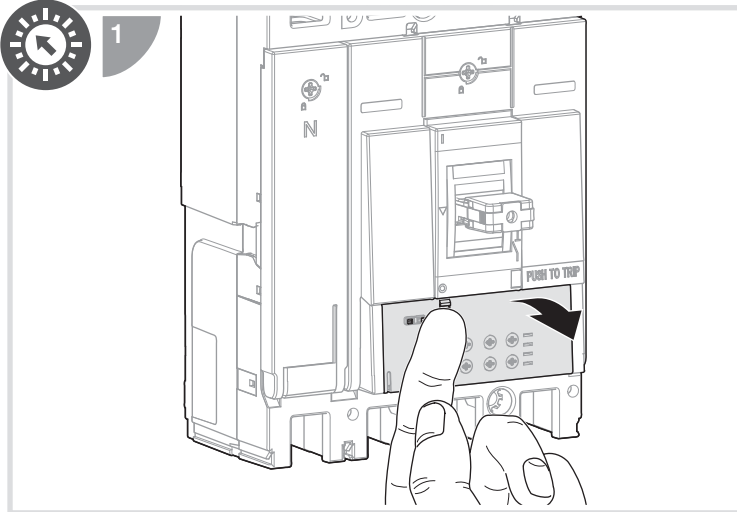


6LE005582Aa



TRIP UNIT LSI AB



3

$I_r = I_{r1} \times I_{r2}$

OFF ON

3P	X
4P	✓

	< 105°C	-	> 105°C
	< 105% I _r	≥ 105% I _r	> 112% I _r
	< 90% I _r	-	≥ 90% I _r
	Ready	OFF	ON

:hager

I _r	220	240	260	280	300	320	340	360	380	400
I _{r1} (A)	250	250	300	300	300	350	350	370	400	400
I _{r2} (A)	0,91	0,96	0,91	0,93	1	0,91	0,97	0,97	0,95	1

